

US00D522517S

(12) **United States Design Patent**
Latawiec et al.

(10) **Patent No.:** **US D522,517 S**
(45) **Date of Patent:** **** Jun. 6, 2006**

(54) **PUSH-FIT EMI SHIELD**
(75) Inventors: **Edward Latawiec**, Cary, IL (US);
Allan Richard Zuehlsdorf, Sycamore,
IL (US)

(73) Assignee: **Laird Technologies, Inc.**, Delaware
Water Gap, PA (US)

(**) Term: **14 Years**

(21) Appl. No.: **29/224,131**

(22) Filed: **Feb. 25, 2005**

(51) **LOC (8) Cl.** **14-02**

(52) **U.S. Cl.** **D14/432**

(58) **Field of Classification Search** D14/438-39,
D14/432, 435-36; 439/939, 607; 174/35 R,
174/51, 35 C, 35 GC; 361/816, 800, 752,
361/797, 818, 801

See application file for complete search history.

(56) **References Cited**

U.S. PATENT DOCUMENTS

4,754,101	A	6/1988	Stickney et al.	
5,095,177	A *	3/1992	Johnson	174/35 R
5,153,379	A	10/1992	Guzuk et al.	
5,383,098	A	1/1995	Ma et al.	
5,886,879	A *	3/1999	Matuschik	361/818
5,895,884	A	4/1999	Davidson	
6,136,131	A	10/2000	Sosnowski	
D434,771	S *	12/2000	Ohtani	D14/436
6,178,097	B1	1/2001	Hauk, Jr.	
6,265,658	B1 *	7/2001	Silvers	174/51
6,313,400	B1 *	11/2001	Mosquera et al.	174/35 R
6,377,472	B1 *	4/2002	Fan	361/800
6,384,324	B1	5/2002	Flegeo	
6,501,016	B1 *	12/2002	Sosnowski	174/35 R

6,552,261	B1 *	4/2003	Shlahtichman et al.	174/35 R
D484,508	S *	12/2003	Crippen et al.	D14/439
6,711,032	B1	3/2004	Sommer	
6,781,851	B1	8/2004	Daoud et al.	
2002/0185294	A1 *	12/2002	Shiyaktichman et al.	174/52.1
2003/0067757	A1	4/2003	Richardson et al.	
2004/0012939	A1	1/2004	Ta et al.	

OTHER PUBLICATIONS

Pending U.S. Appl. No. 11/005,057 entitled Replacement Cover for Electromagnetic Shielding System, filed Dec. 6, 2004, English et al.

* cited by examiner

Primary Examiner—Alan P. Douglas

Assistant Examiner—Susan Moon Lee

(74) *Attorney, Agent, or Firm*—Harness, Dickey & Pierce, P.L.C.

(57) **CLAIM**

We claim the ornamental design for a push-fit EMI shield, as shown and described.

DESCRIPTION

FIG. 1 is an upper perspective view of the push-fit EMI shield, showing our new design;

FIG. 2 is a lower perspective view thereof;

FIG. 3 is a top plan view thereof;

FIG. 4 is a bottom plan view thereof;

FIG. 5 is a front elevation view thereof;

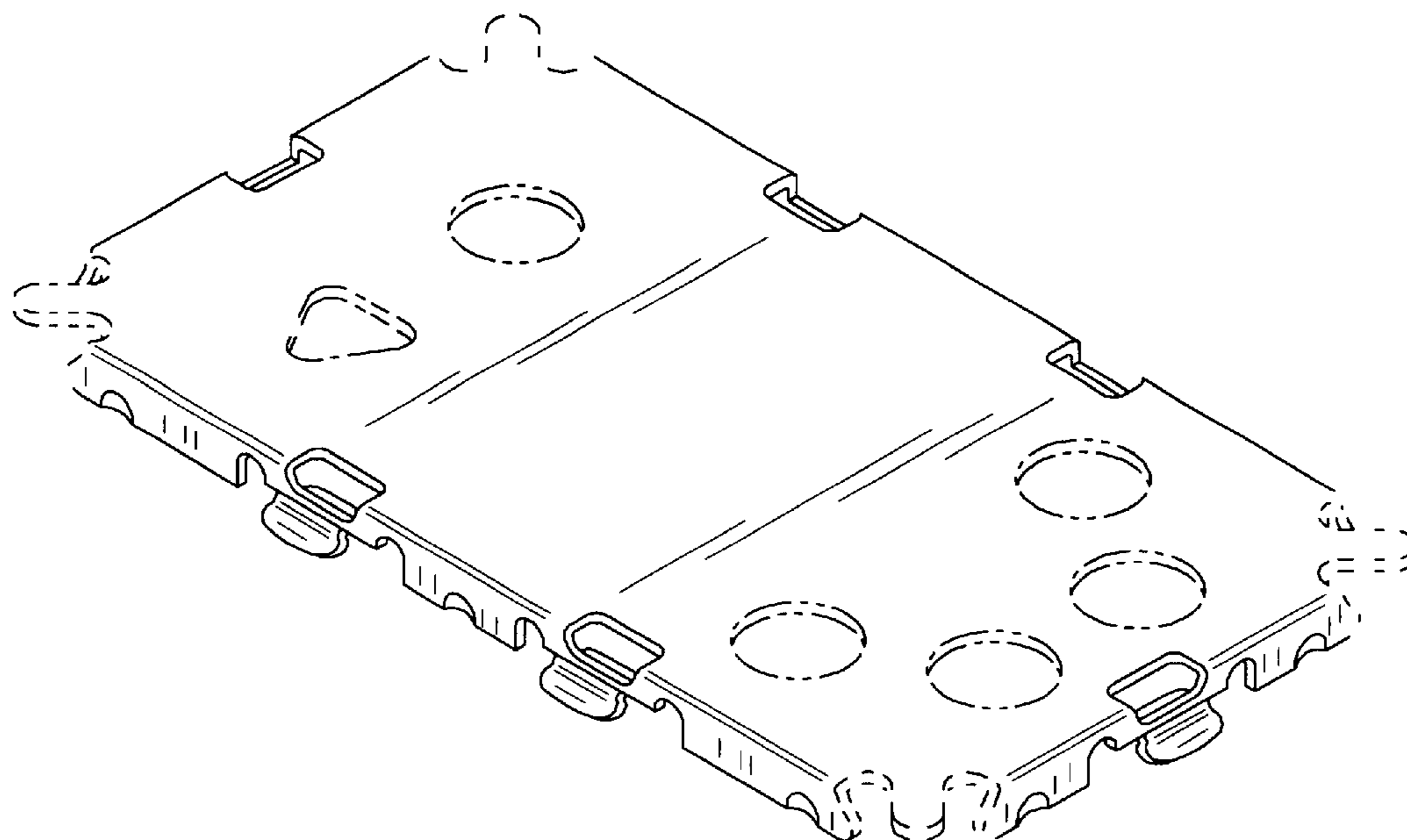
FIG. 6 is a rear elevation view thereof;

FIG. 7 is a left elevation view thereof; and,

FIG. 8 is a right elevation view thereof.

The details shown in broken lines are for illustrative purposes only and form no part of the claimed design.

1 Claim, 3 Drawing Sheets



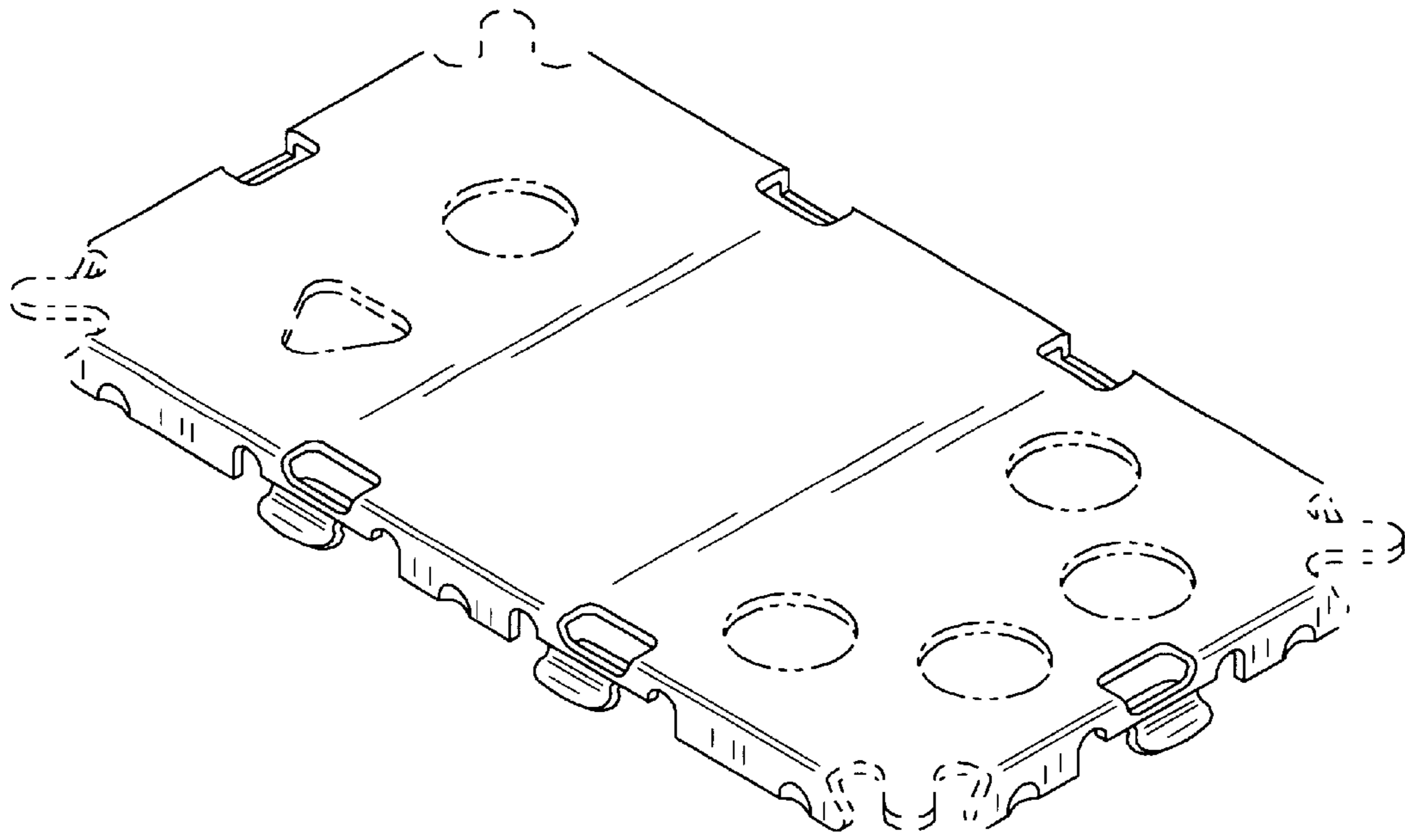


FIG. 1

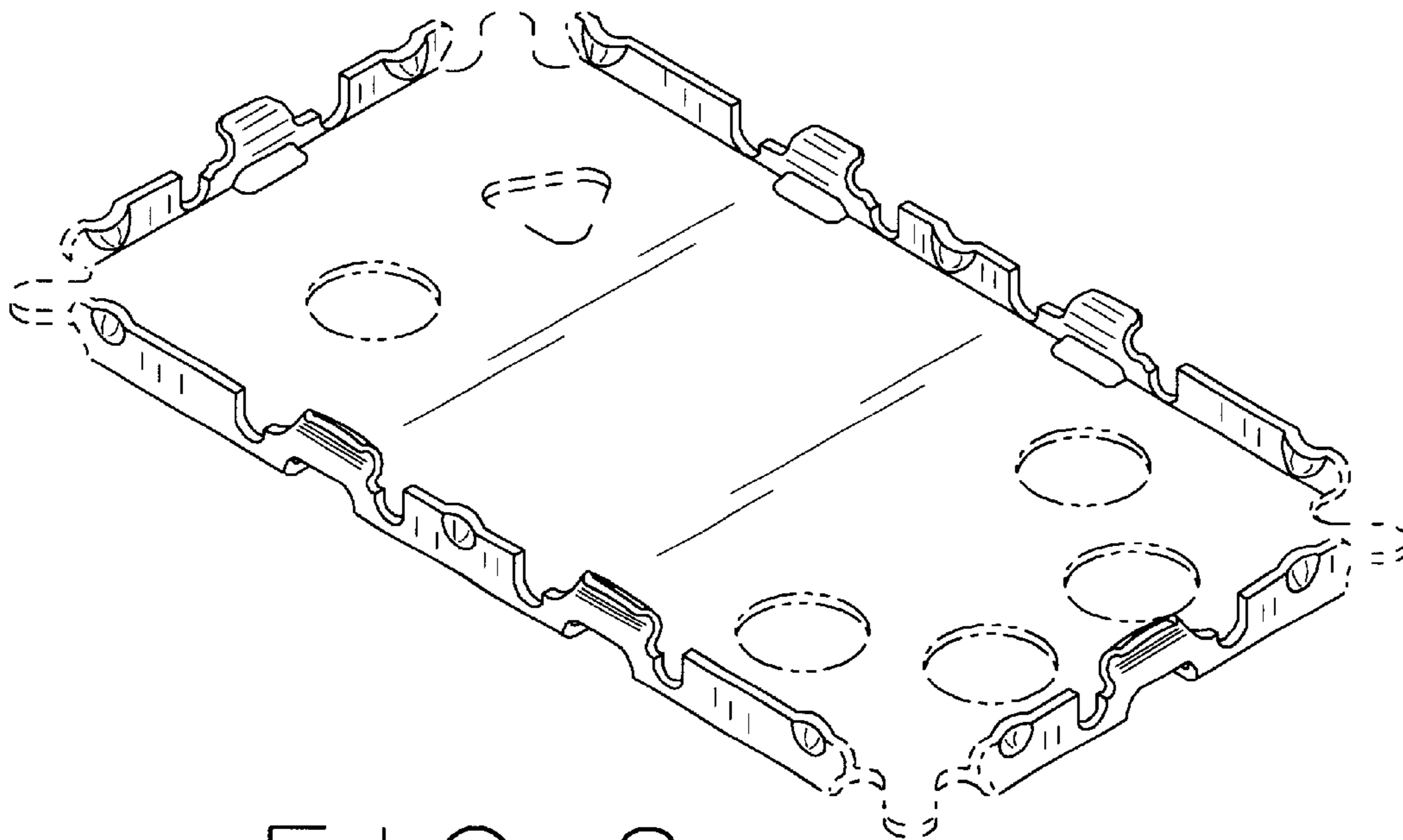


FIG. 2

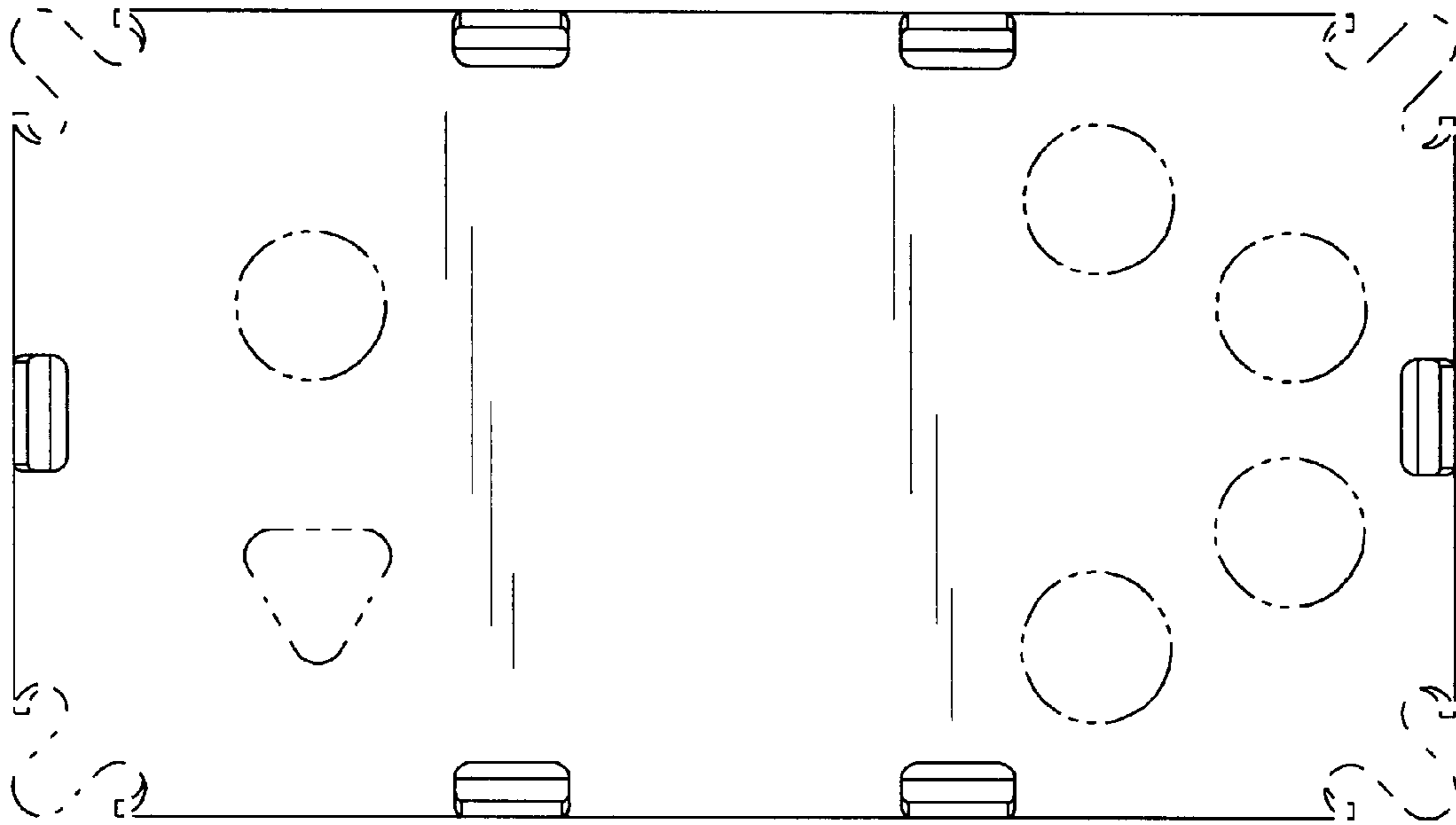


FIG. 3

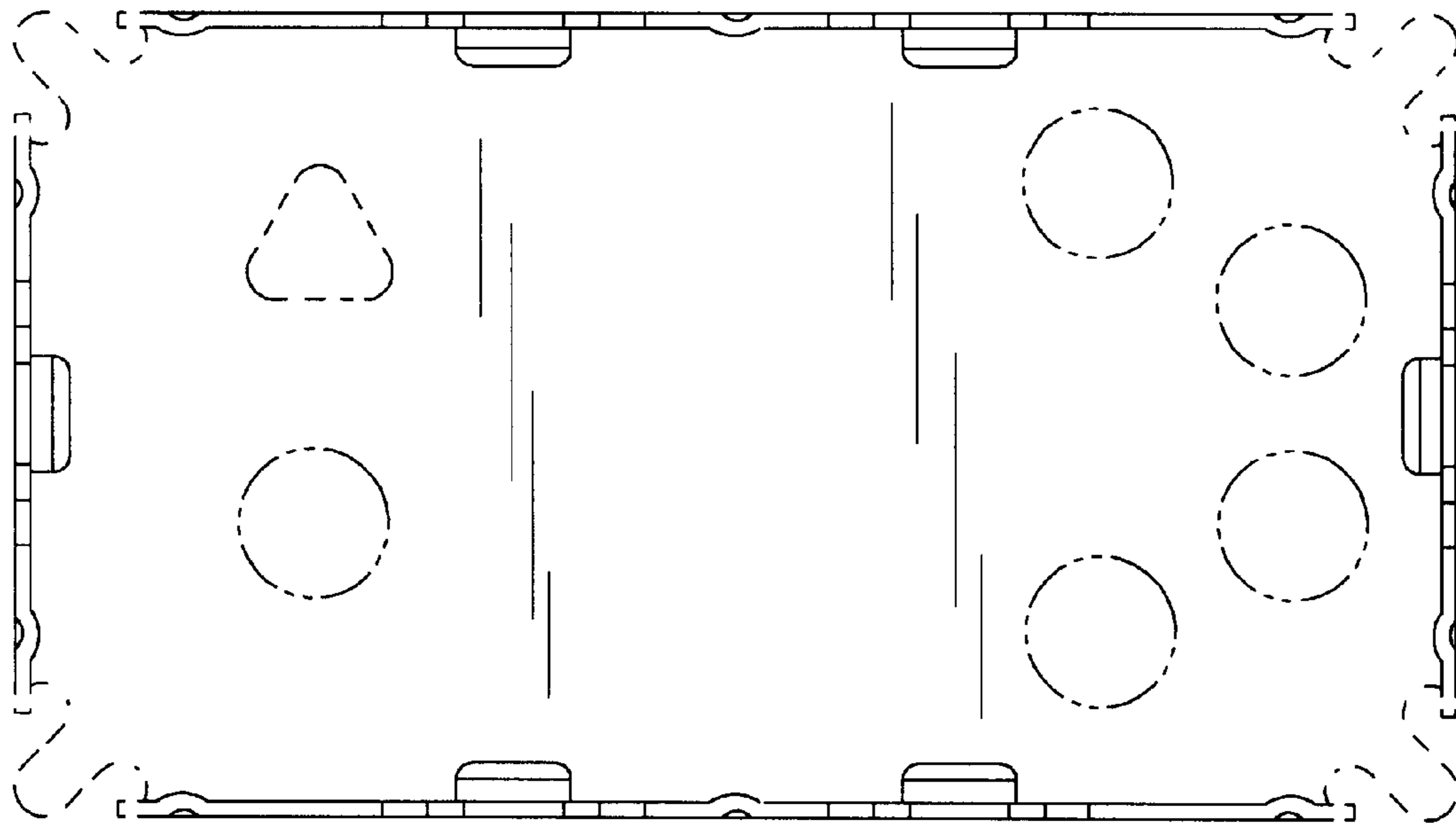


FIG. 4



FIG. 5

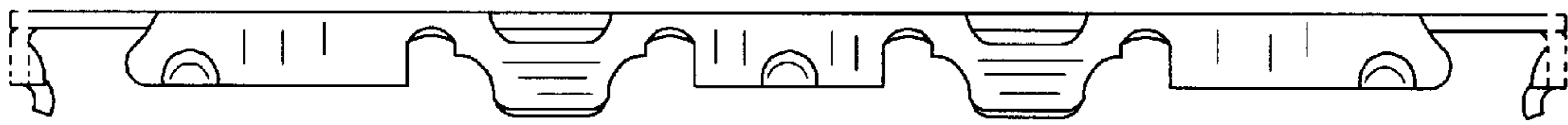


FIG. 6



FIG. 7



FIG. 8