



US00D522516S

(12) **United States Design Patent**  
**Hussaini et al.**

(10) **Patent No.:** **US D522,516 S**  
(45) **Date of Patent:** **\*\* Jun. 6, 2006**

(54) **VIDEO GAME CONTROLLER**

(75) Inventors: **Saied Hussaini**, Miami, FL (US); **Marc Iacovelli**, Miami, FL (US)

(73) Assignee: **INTEC, Inc.**, Miami, FL (US)

(\*\*) Term: **14 Years**

(21) Appl. No.: **29/229,328**

(22) Filed: **May 6, 2005**

(51) **LOC (8) Cl.** ..... **14-02**

(52) **U.S. Cl.** ..... **D14/414**; D14/416; D21/333;  
D21/385; D21/566

(58) **Field of Classification Search** ..... D14/400,  
D14/401, 414, 416, 412, 432; D21/324, 333,  
D21/385, 477, 561, 566; 273/148 B; 463/1,  
463/3, 30-47; 434/45, 46

See application file for complete search history.

(56) **References Cited**

**U.S. PATENT DOCUMENTS**

D297,028	S	*	8/1988	McCann	.....	D21/566
4,887,966	A	*	12/1989	Gellerman	.....	463/38
5,056,787	A	*	10/1991	Mitsuyoshi	.....	273/148 B
D328,315	S	*	7/1992	Shulman	.....	D14/414
5,317,336	A	*	5/1994	Hall	.....	345/164
D379,203	S	*	5/1997	Oikawa	.....	D14/401
D380,503	S	*	7/1997	Tyler	.....	D21/385

D393,493	S	*	4/1998	Lee	.....	D21/477
5,829,745	A	*	11/1998	Houle	.....	273/148 B
6,159,099	A	*	12/2000	Chen	.....	463/37
6,279,906	B1	*	8/2001	Sanderson et al.	.....	273/148 B
D497,365	S	*	10/2004	Hussaini et al.	.....	D14/414

\* cited by examiner

*Primary Examiner*—Prabhakar Deshmukh

(74) *Attorney, Agent, or Firm*—Berenato, White & Stavish LLC

(57) **CLAIM**

The ornamental design for a video game controller, as shown and described.

**DESCRIPTION**

FIG. 1 is an elevated perspective view of the video game controller according to the present invention.

FIG. 2 is a front view of the video game controller of FIG. 1.

FIG. 3 is rear view of the video game controller of FIG. 1.

FIG. 4 is a left side view of the video game controller of FIG. 1.

FIG. 5 is a right side view of the video game controller of FIG. 1.

FIG. 6 is a top view of the video game controller of FIG. 1; and,

FIG. 7 is a bottom view of the video game controller of FIG. 1.

**1 Claim, 7 Drawing Sheets**

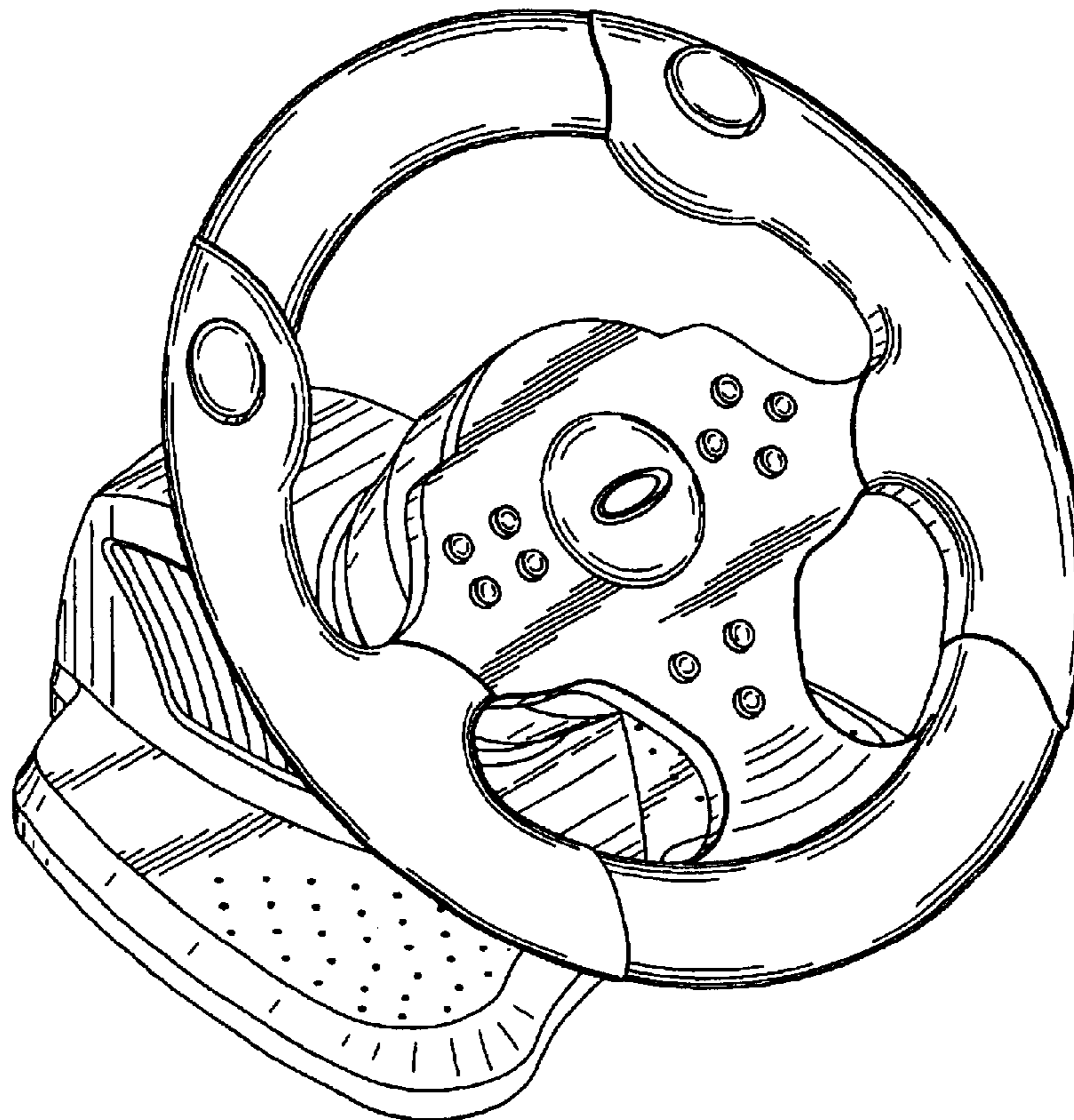


Fig. 1

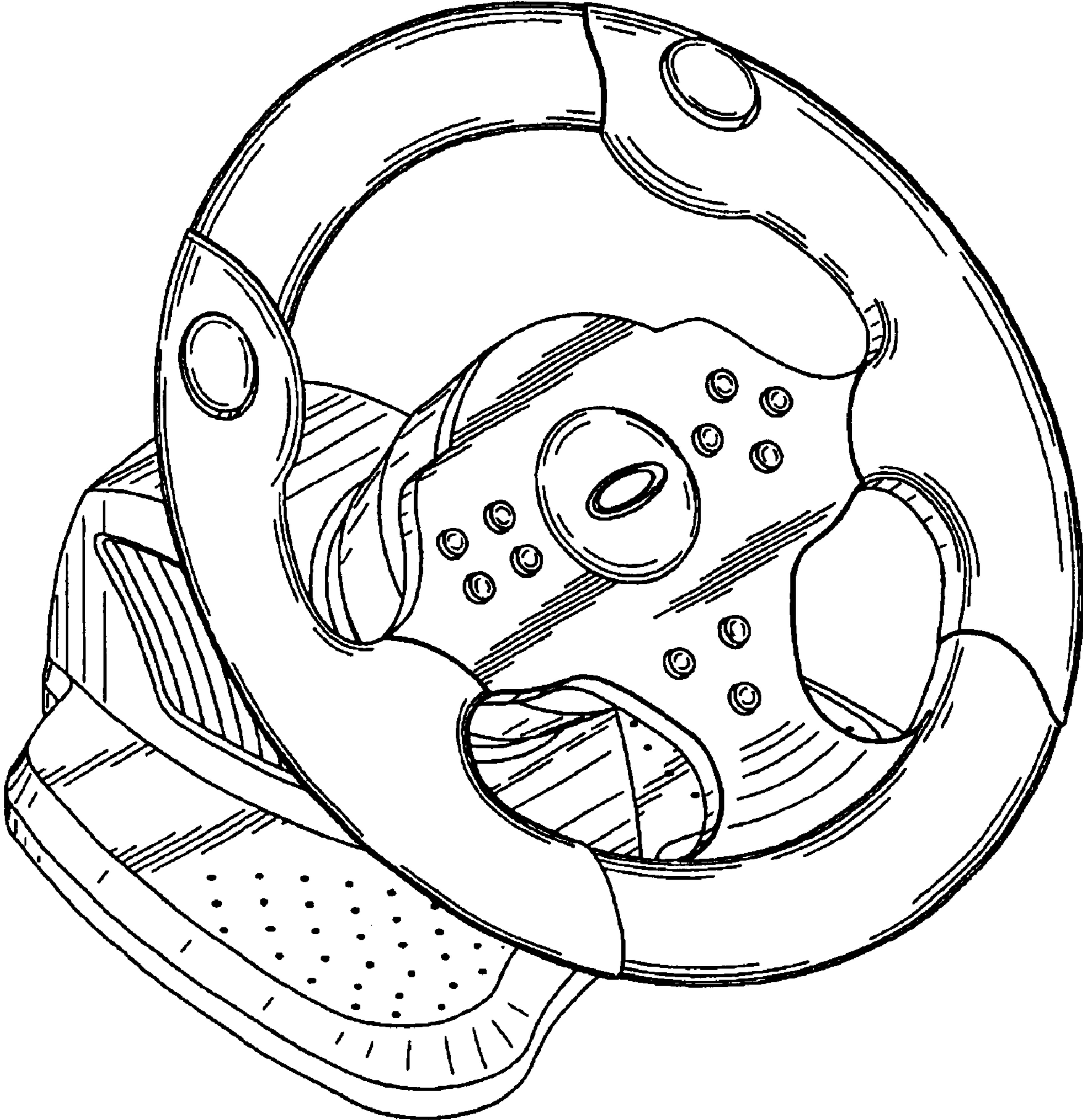


Fig. 2

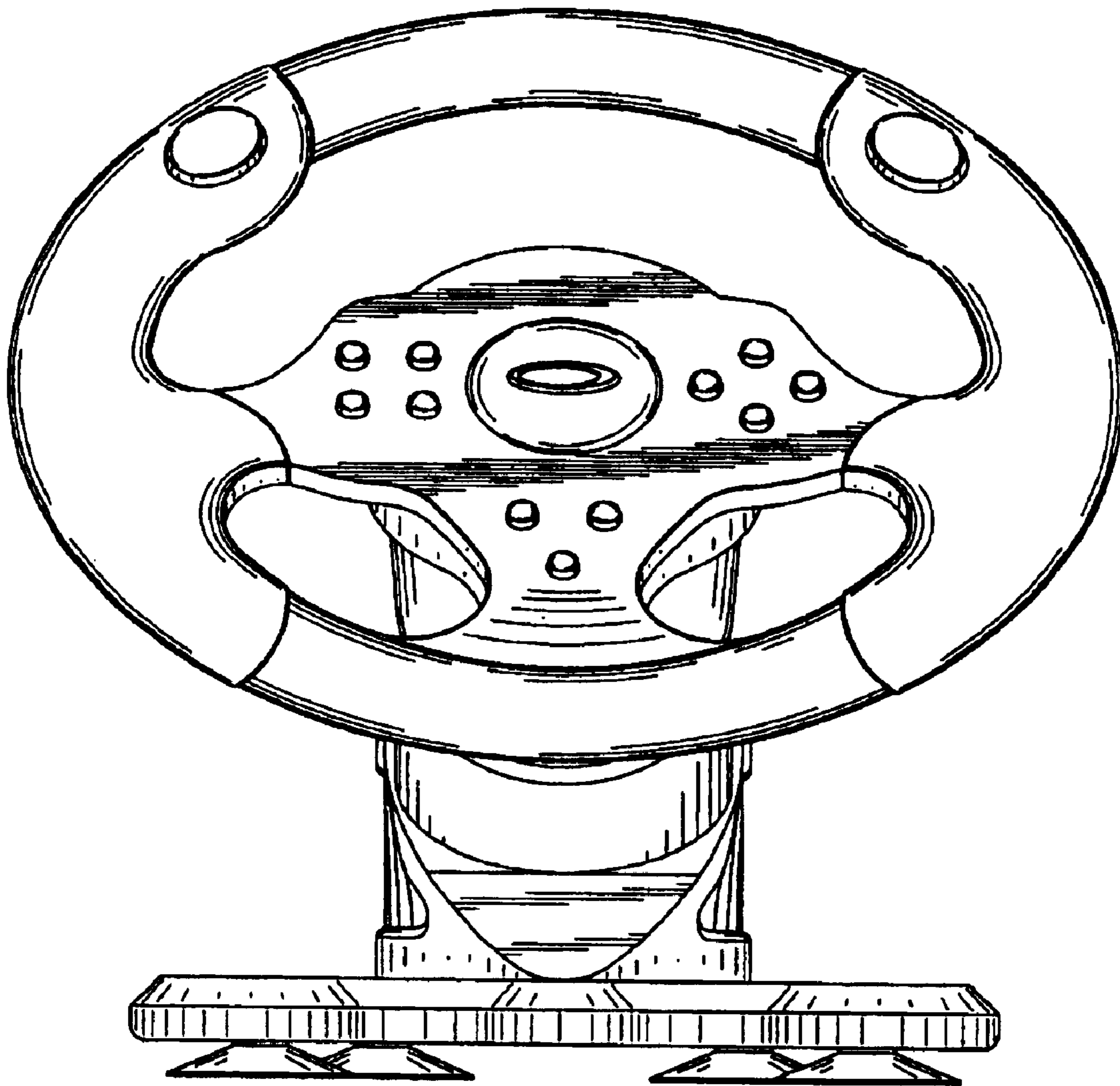


Fig. 3

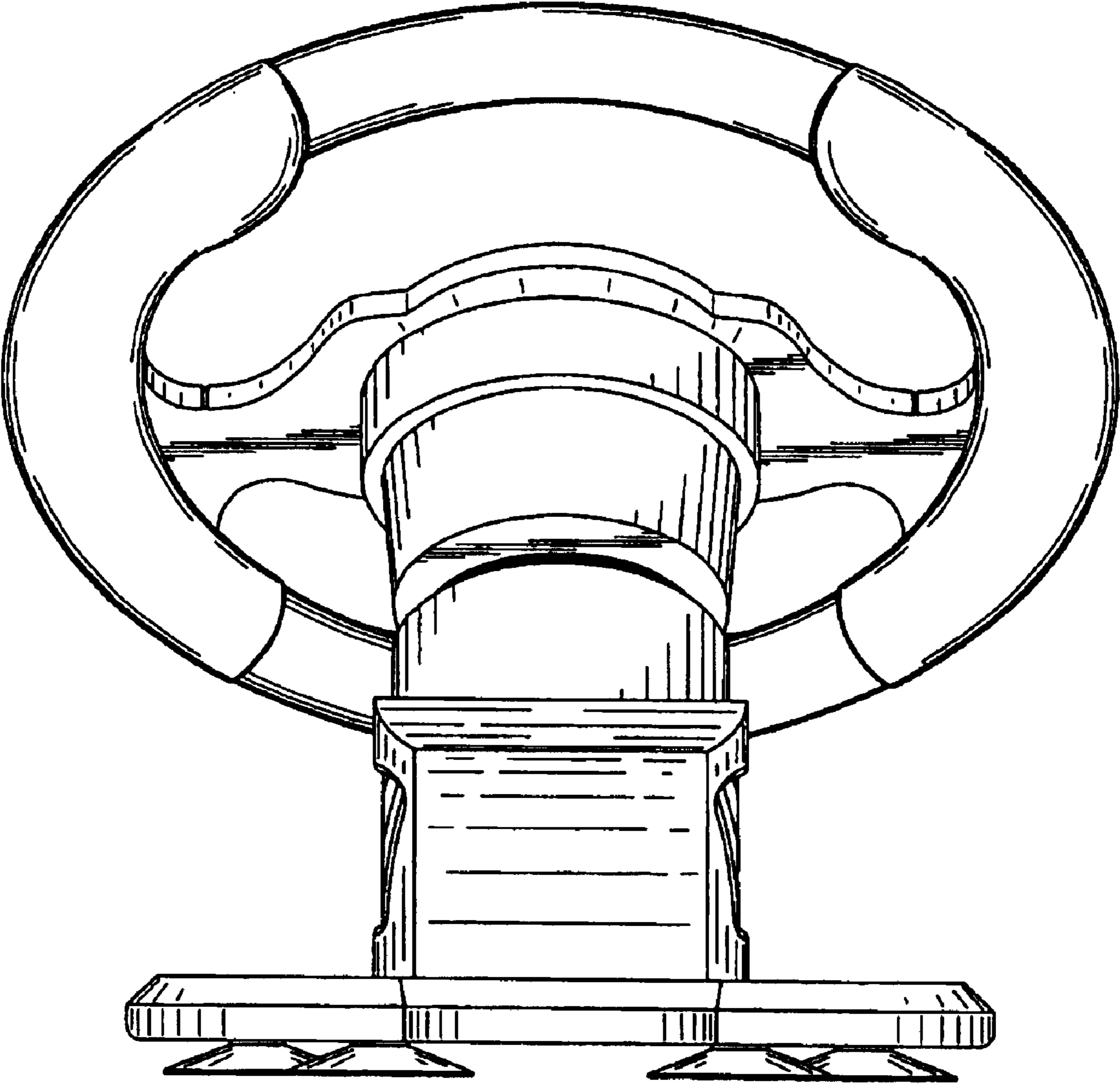


Fig. 4

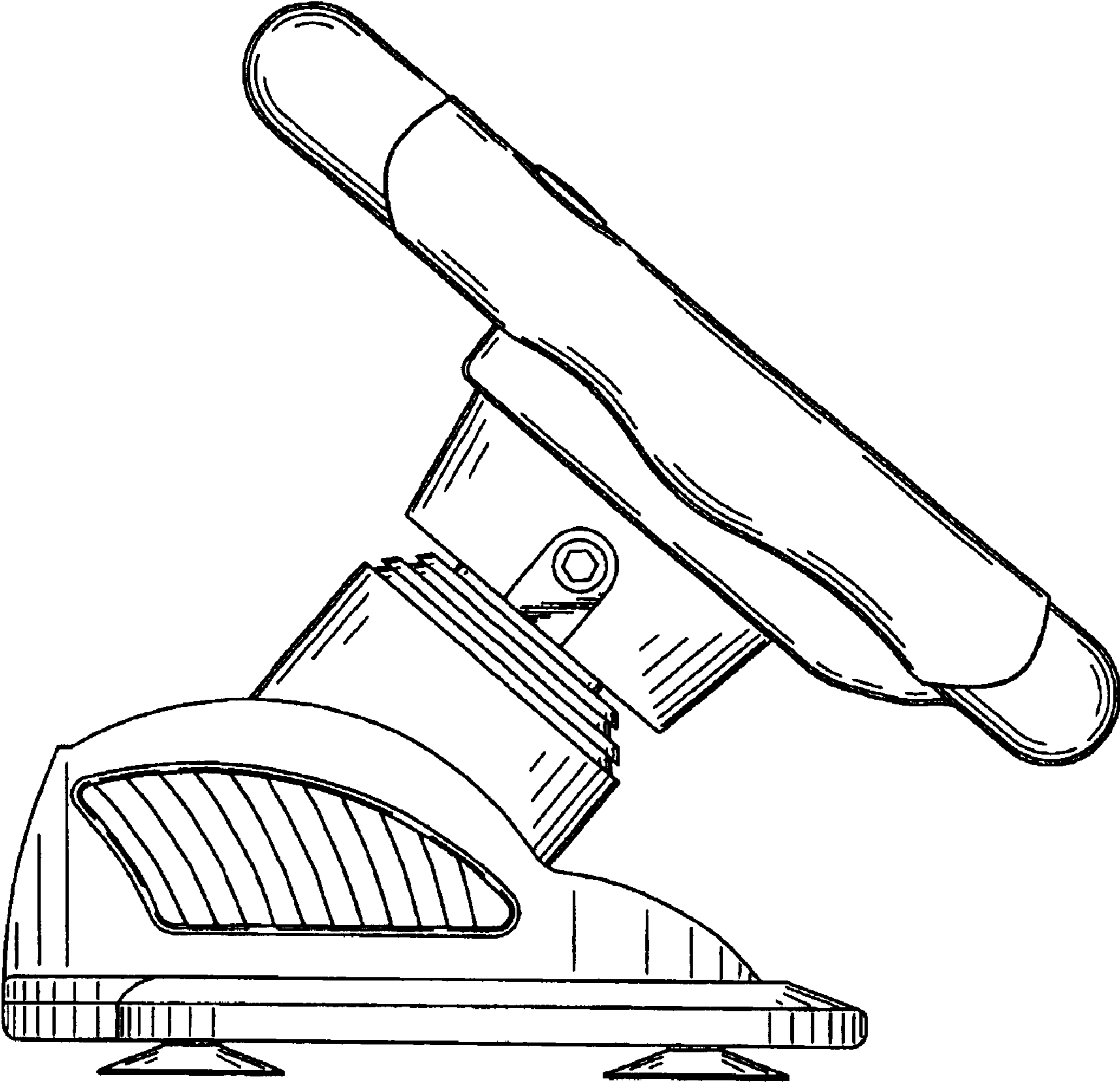


Fig. 5

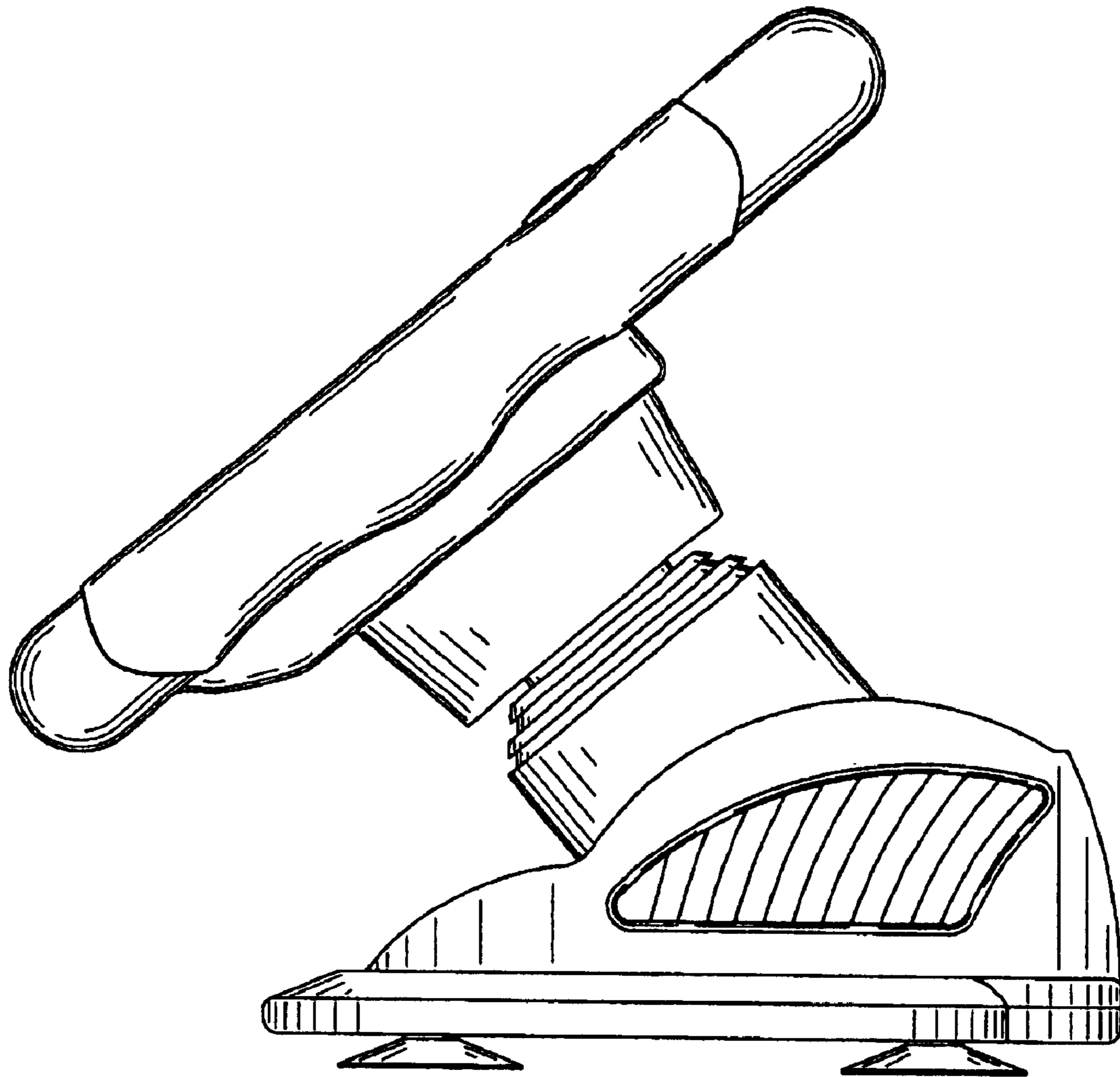


Fig. 6

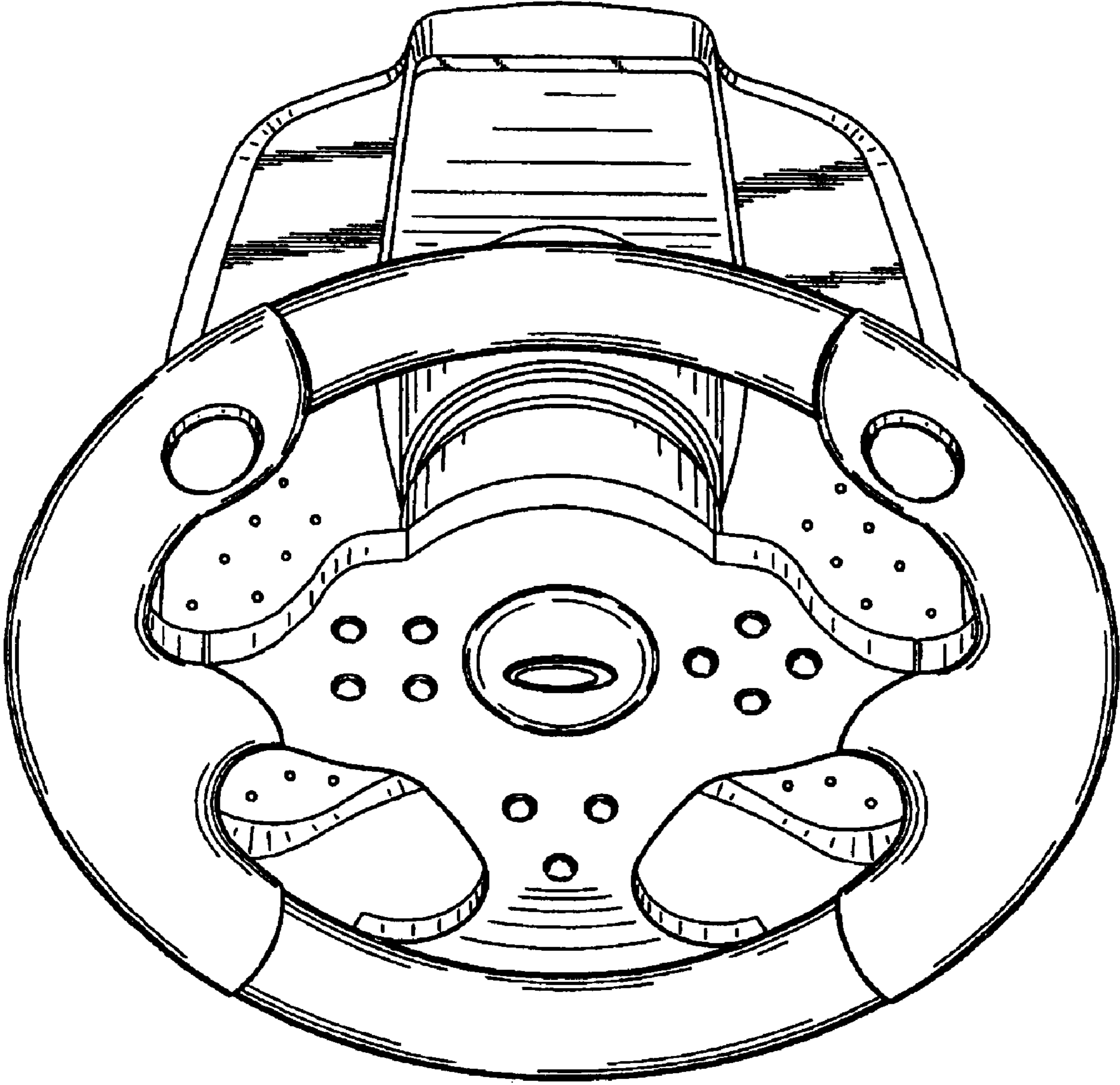


Fig. 7

