

US00D522515S

(12) **United States Design Patent**  
**Valentine**

(10) **Patent No.:** **US D522,515 S**

(45) **Date of Patent:** **\*\* Jun. 6, 2006**

(54) **FOOTBALL HELMET COMPUTER MOUSE**

(76) **Inventor:** **Donny Valentine**, 132 N. El Camino  
Real #260, Encinitas, CA (US) 92024

(\*\*) **Term:** **14 Years**

(21) **Appl. No.:** **29/237,262**

(22) **Filed:** **Aug. 30, 2005**

(51) **LOC (8) Cl.** ..... **14-02**

(52) **U.S. Cl.** ..... **D14/403**

(58) **Field of Classification Search** ..... D14/402-411,  
D14/417, 454; 345/156-167; 74/471 XY;  
273/148 B; 200/5 R, 5 A, 6 R, 6 A; 463/36-38  
See application file for complete search history.

(56) **References Cited**

**U.S. PATENT DOCUMENTS**

D369,154 S	*	4/1996	Powell	.....	D14/403
D386,161 S	*	11/1997	Young	.....	D14/403
D428,416 S	*	7/2000	Smith et al.	.....	D14/403
D430,567 S	*	9/2000	Diee	.....	D14/403
D441,750 S	*	5/2001	Higa et al.	.....	D14/403

D455,150 S	*	4/2002	Grabowski	.....	D14/403
D466,508 S	*	12/2002	Hervig et al.	.....	D14/403
D472,239 S	*	3/2003	Moorer, Jr.	.....	D14/403

\* cited by examiner

*Primary Examiner*—Pamela Burgess

(74) *Attorney, Agent, or Firm*—Steven W. Webb

(57) **CLAIM**

The ornamental design for a football helmet computer mouse, as shown and described.

**DESCRIPTION**

FIG. 1 is a perspective view of the football helmet computer mouse.

FIG. 2 is a back view of the football helmet computer mouse.

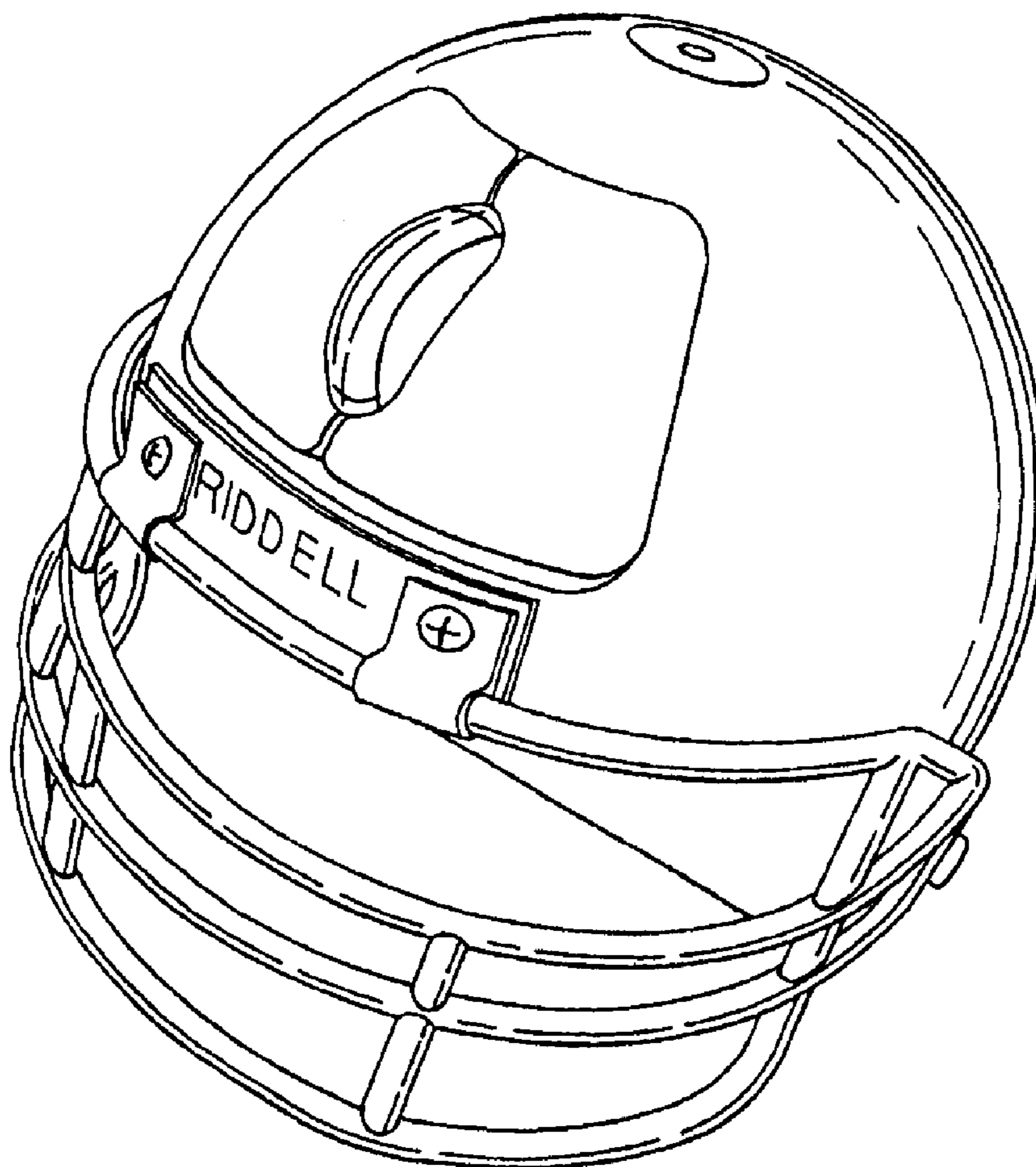
FIG. 3 is a side view of the football helmet computer mouse.

FIG. 4 is a top view of the football helmet computer mouse.

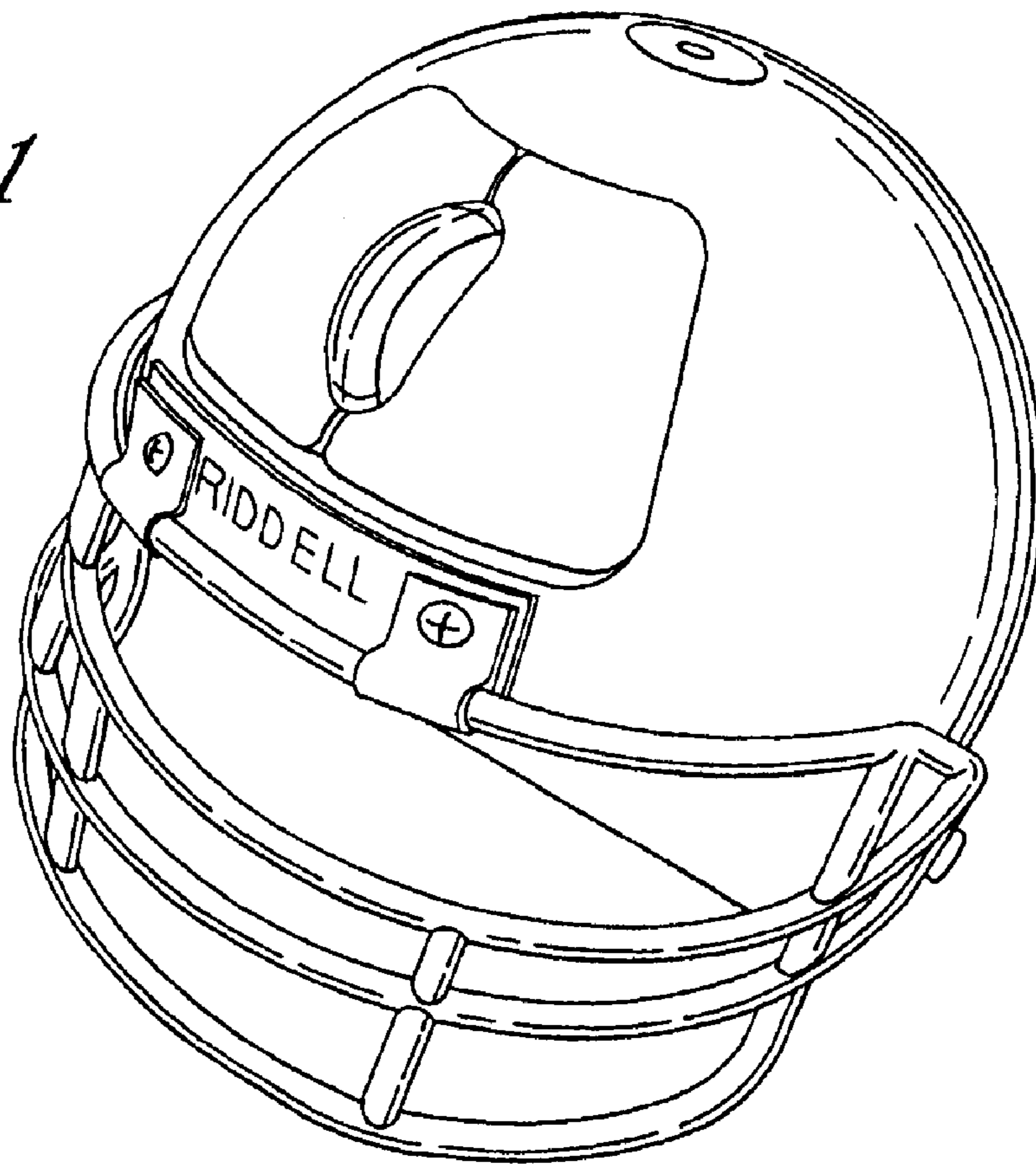
FIG. 5 is a front view of the football helmet computer mouse; and,

FIG. 6 is a bottom view of the football helmet computer mouse.

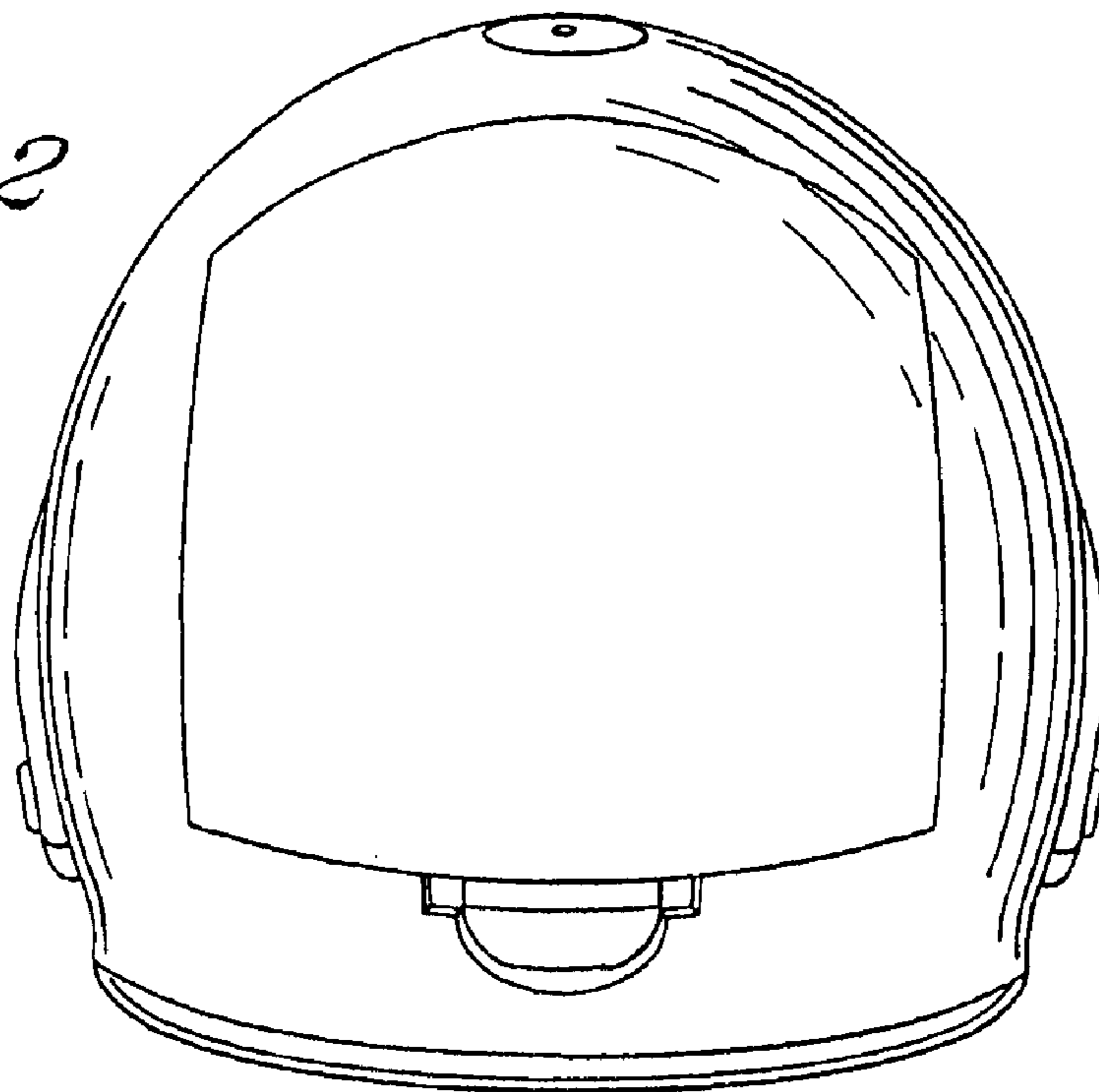
**1 Claim, 3 Drawing Sheets**



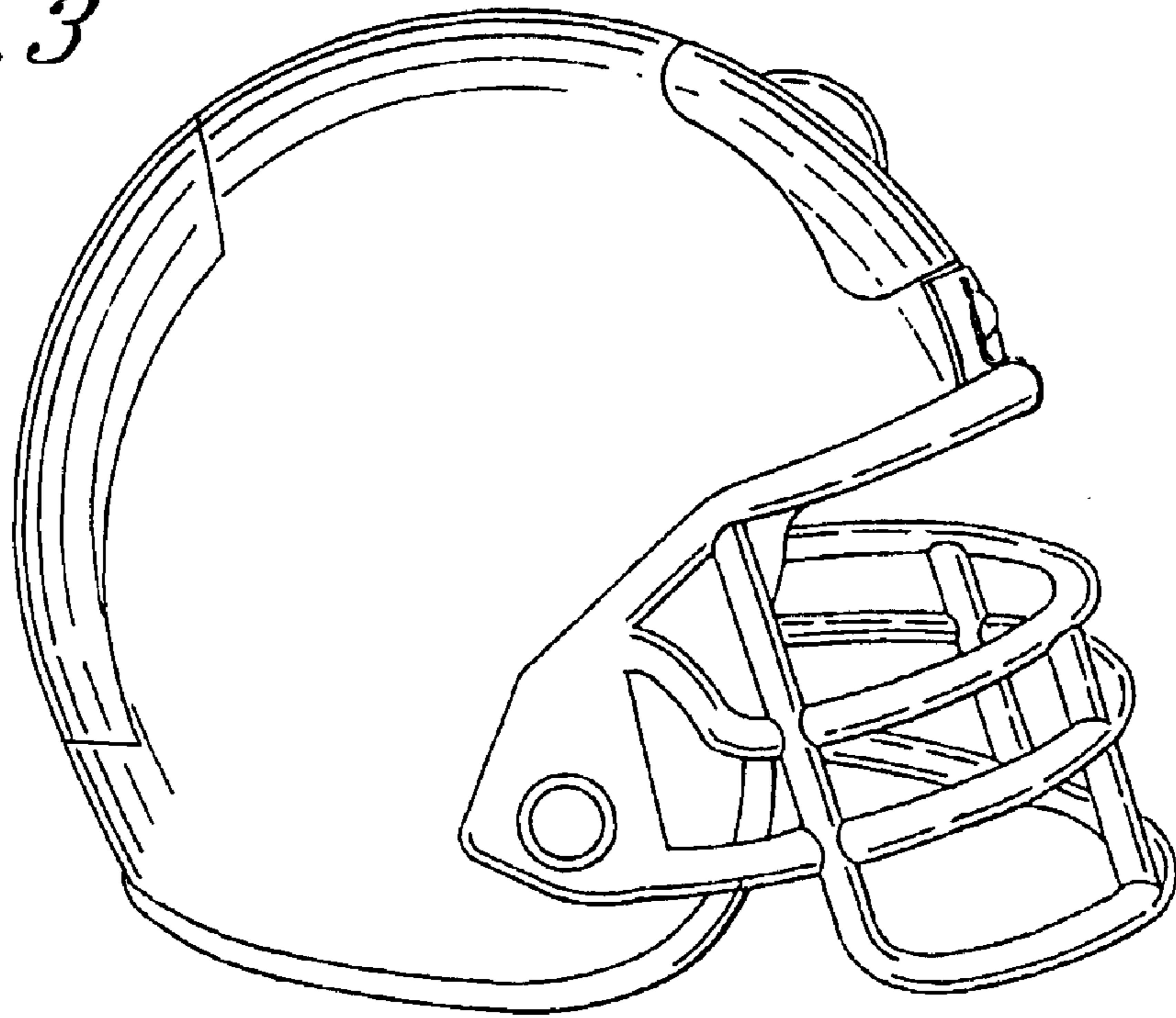
*Fig. 1*



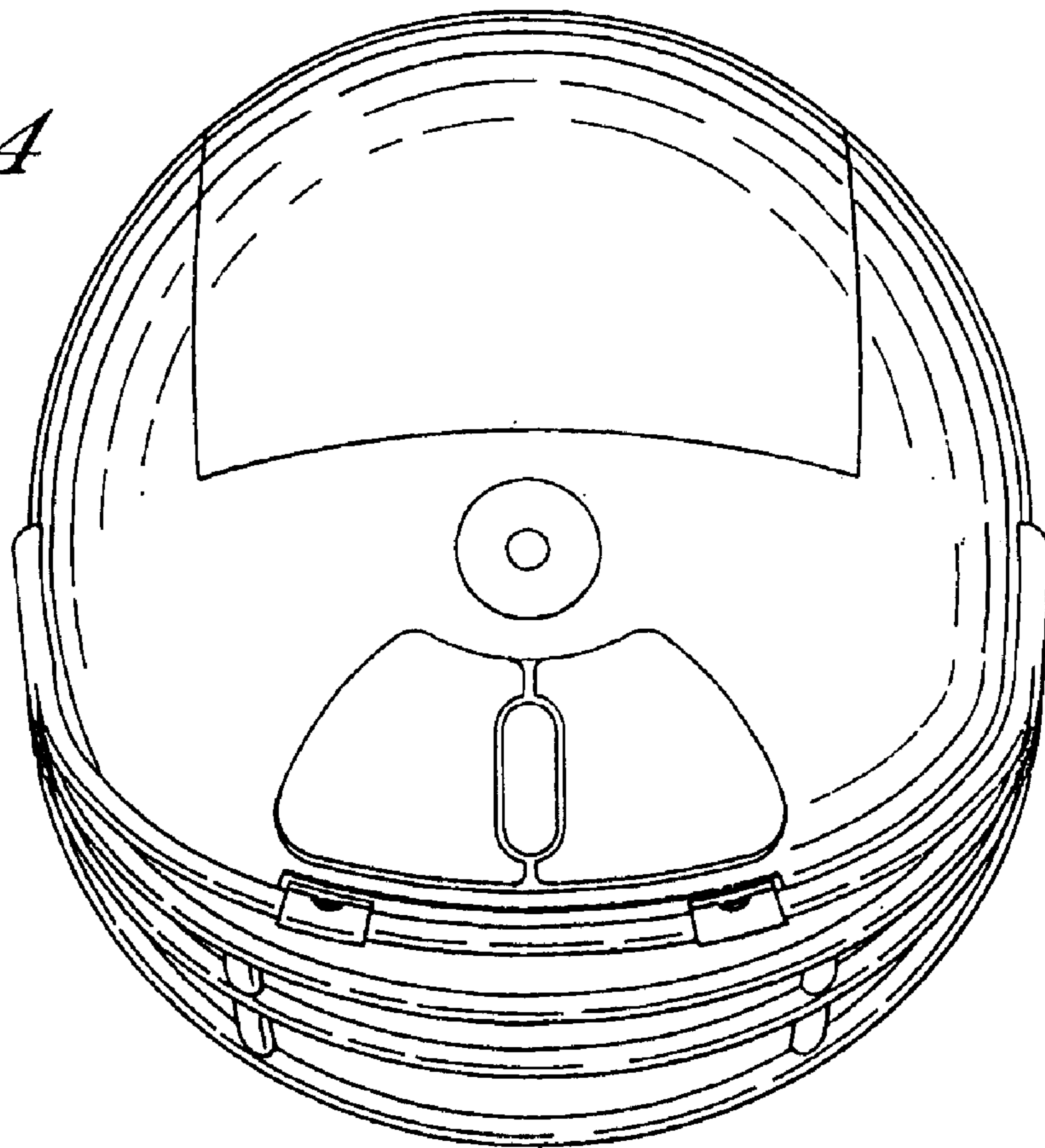
*Fig. 2*



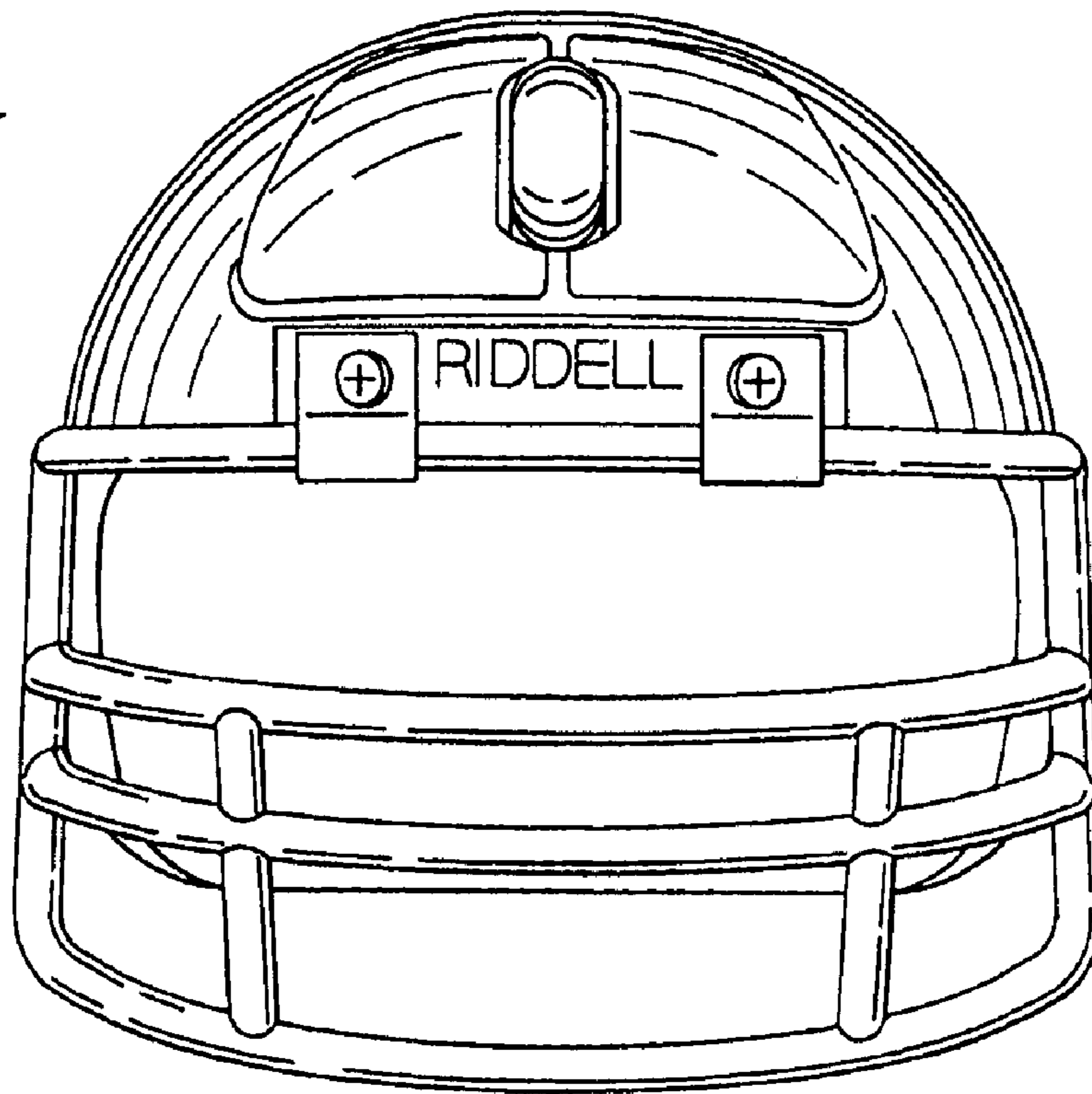
*Fig. 3*



*Fig. 4*



*Fig. 5*



*Fig. 6*

