



US00D522514S

(12) **United States Design Patent**
Norman

(10) **Patent No.:** **US D522,514 S**
(45) **Date of Patent:** **** Jun. 6, 2006**

(54) **KEYBOARD WITH POINTING DEVICE**

DESCRIPTION

(75) Inventor: **John Norman**, Cupertino, CA (US)

(73) Assignee: **Hewlett-Packard Development Company, L.P.**, Houston, TX (US)

(**) Term: **14 Years**

(21) Appl. No.: **29/233,722**

(22) Filed: **Jul. 8, 2005**

(51) **LOC (8) Cl.** **14-02**

(52) **U.S. Cl.** **D14/397**

(58) **Field of Classification Search** D14/391-398;
D18/1, 2, 7, 11; 178/17 A, 17 C; 200/5 A,
200/5 R, 6 A, 6 R; 235/145 A, 145 R; 341/22,
341/23; 345/160, 168; 400/484-489, 492
See application file for complete search history.

(56) **References Cited**

U.S. PATENT DOCUMENTS

D280,408 S	*	9/1985	Kuba	D14/396
D285,305 S	*	8/1986	Liuzzo et al.	D14/396
4,692,740 A	*	9/1987	Washizuka et al.	341/22
D304,721 S	*	11/1989	Mikan	D14/392
D320,597 S	*	10/1991	Lacount et al.	D14/396
D325,199 S	*	4/1992	Gowda et al.	D14/396
D346,161 S	*	4/1994	Oh et al.	D14/396
5,414,422 A	*	5/1995	Allen	341/22
5,439,304 A	*	8/1995	Phillips et al.	400/492

* cited by examiner

Primary Examiner—Freda S. Nunn

(57) **CLAIM**

I claim the ornamental design for a keyboard with pointing device, as shown and described.

FIG. 1 is an upper right rear perspective view of a design for a keyboard with pointing device in accordance with a first embodiment, wherein the areas shown in broken lines being depicted for illustrative purposes and do not form any part of the claimed design;

FIG. 2 is a lower right rear perspective view thereof;

FIG. 3 is a top plan view thereof, wherein the areas shown in broken lines being depicted for illustrative purposes and do not form any part of the claimed design;

FIG. 4 is a front elevation view thereof, wherein the areas shown in broken lines being depicted for illustrative purposes and do not form any part of the claimed design;

FIG. 5 is a bottom plan view thereof;

FIG. 6 is a rear elevation view thereof;

FIG. 7 is a right elevation view thereof; and

FIG. 8 is a left elevation view thereof.

FIG. 9 is a lower right rear perspective view of a second embodiment of a design for a keyboard with pointing device shown in FIG. 1;

FIG. 10 is a bottom plan view thereof;

FIG. 11 is a front elevation view thereof, wherein the areas shown in broken lines being depicted for illustrative purposes and do not form any part of the claimed design;

FIG. 12 is a rear elevation view thereof;

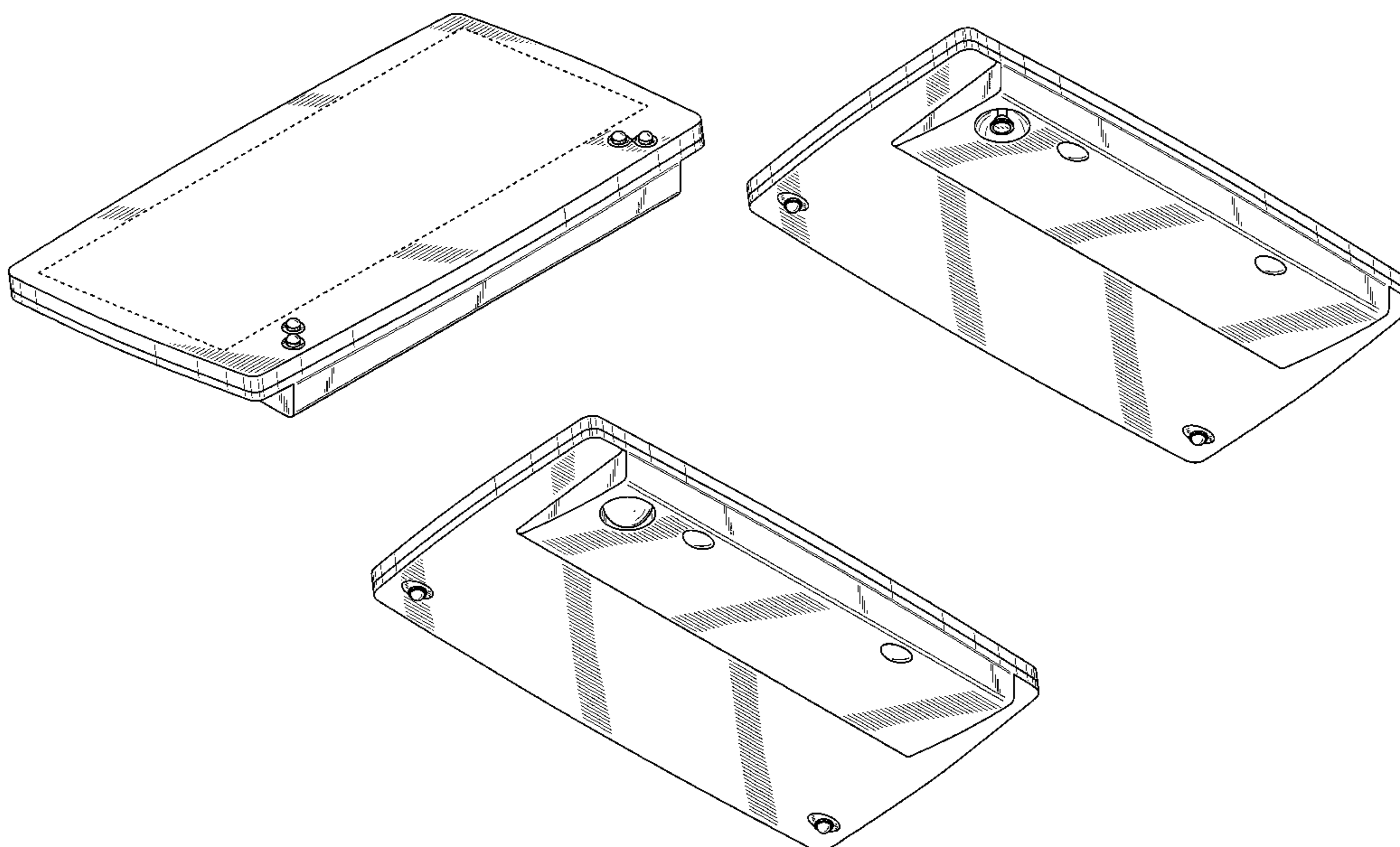
FIG. 13 is a right elevation view thereof; and,

FIG. 14 is a left elevation view thereof.

The upper right rear perspective view of the second embodiment is the same as the upper right rear perspective shown in FIG. 1 of the first embodiment.

The top plan view of the second embodiment is the same as top plan view shown in FIG. 3 of the first embodiment.

1 Claim, 10 Drawing Sheets



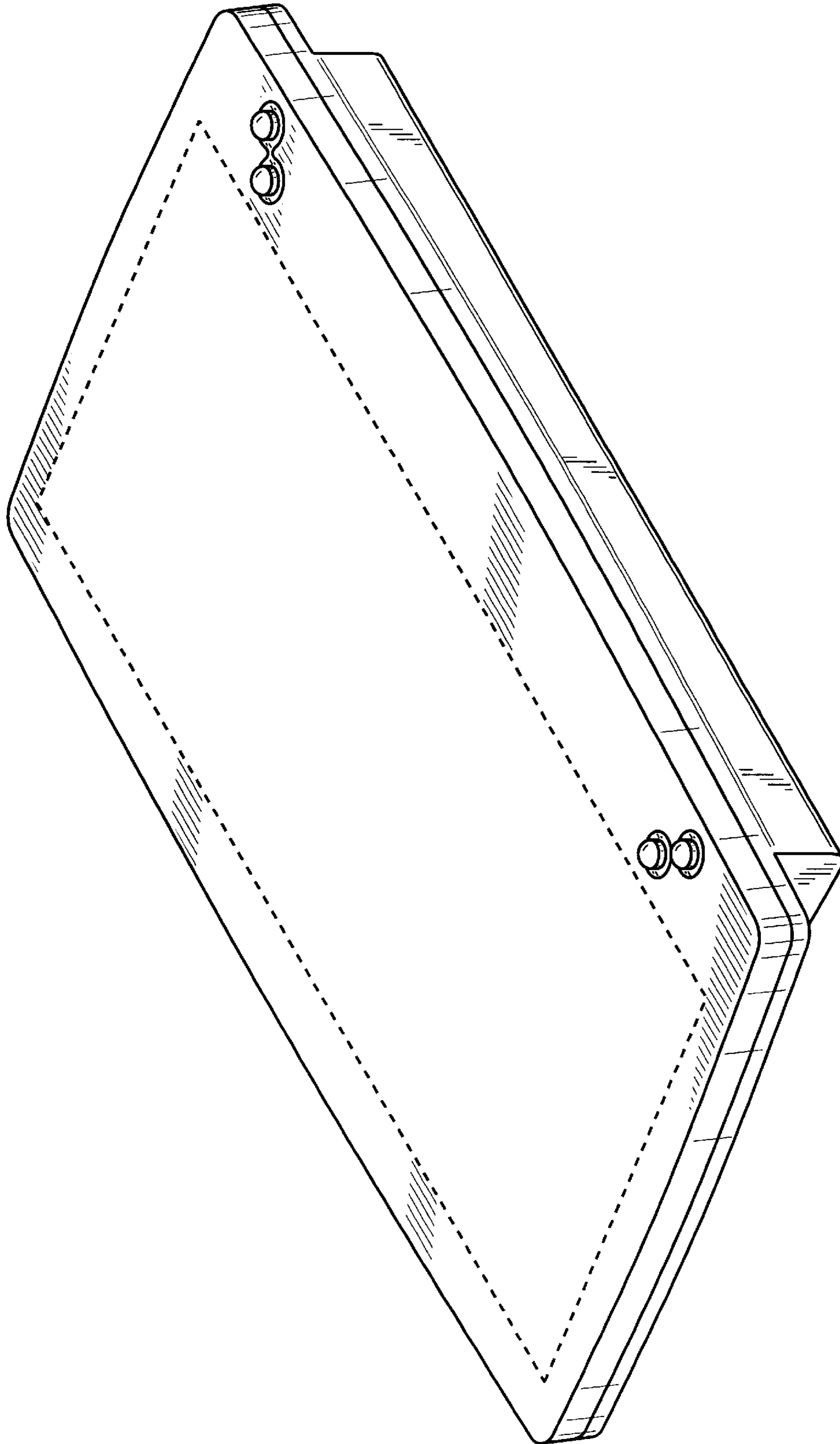


FIG.- 1

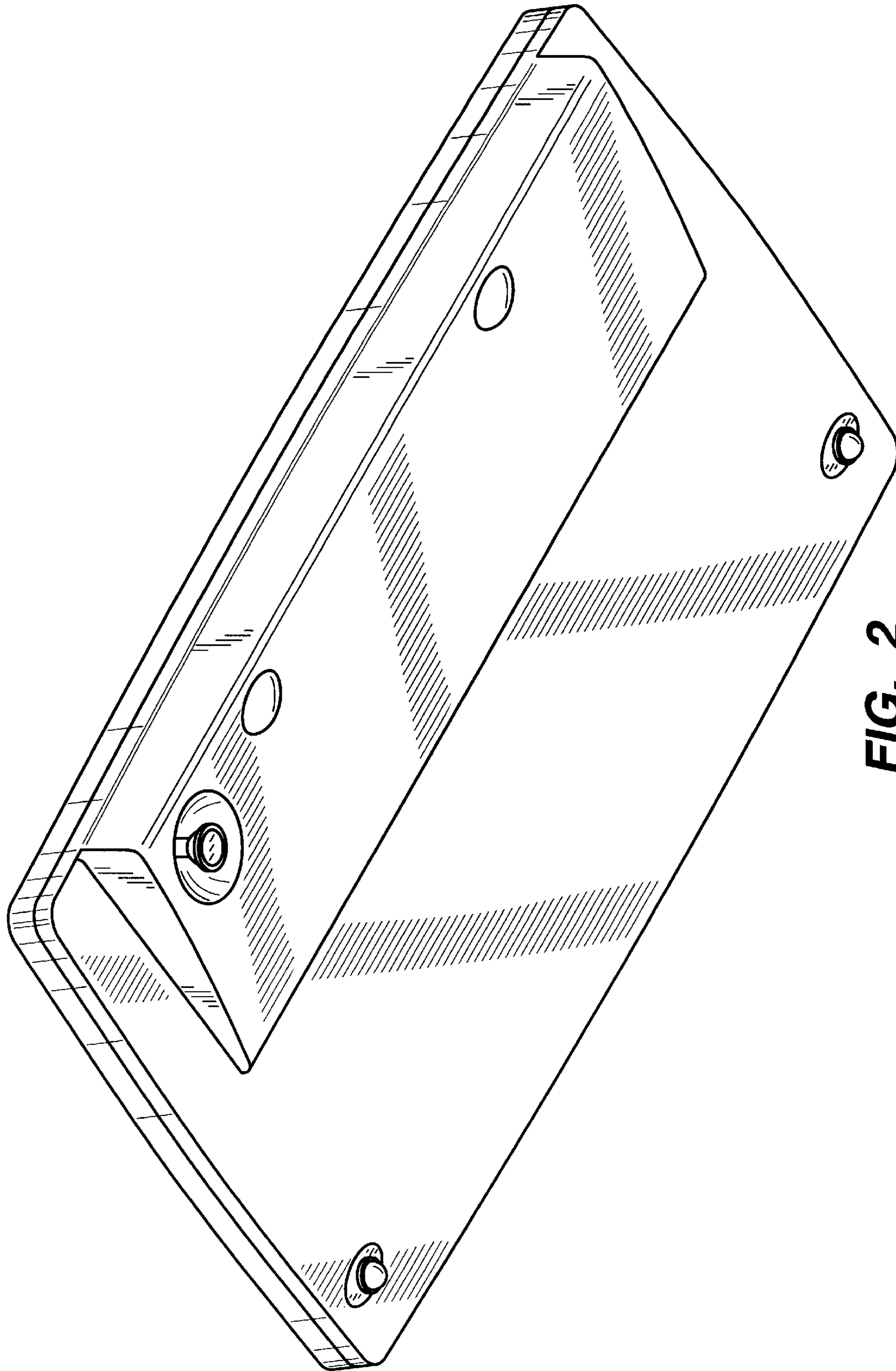


FIG.-2

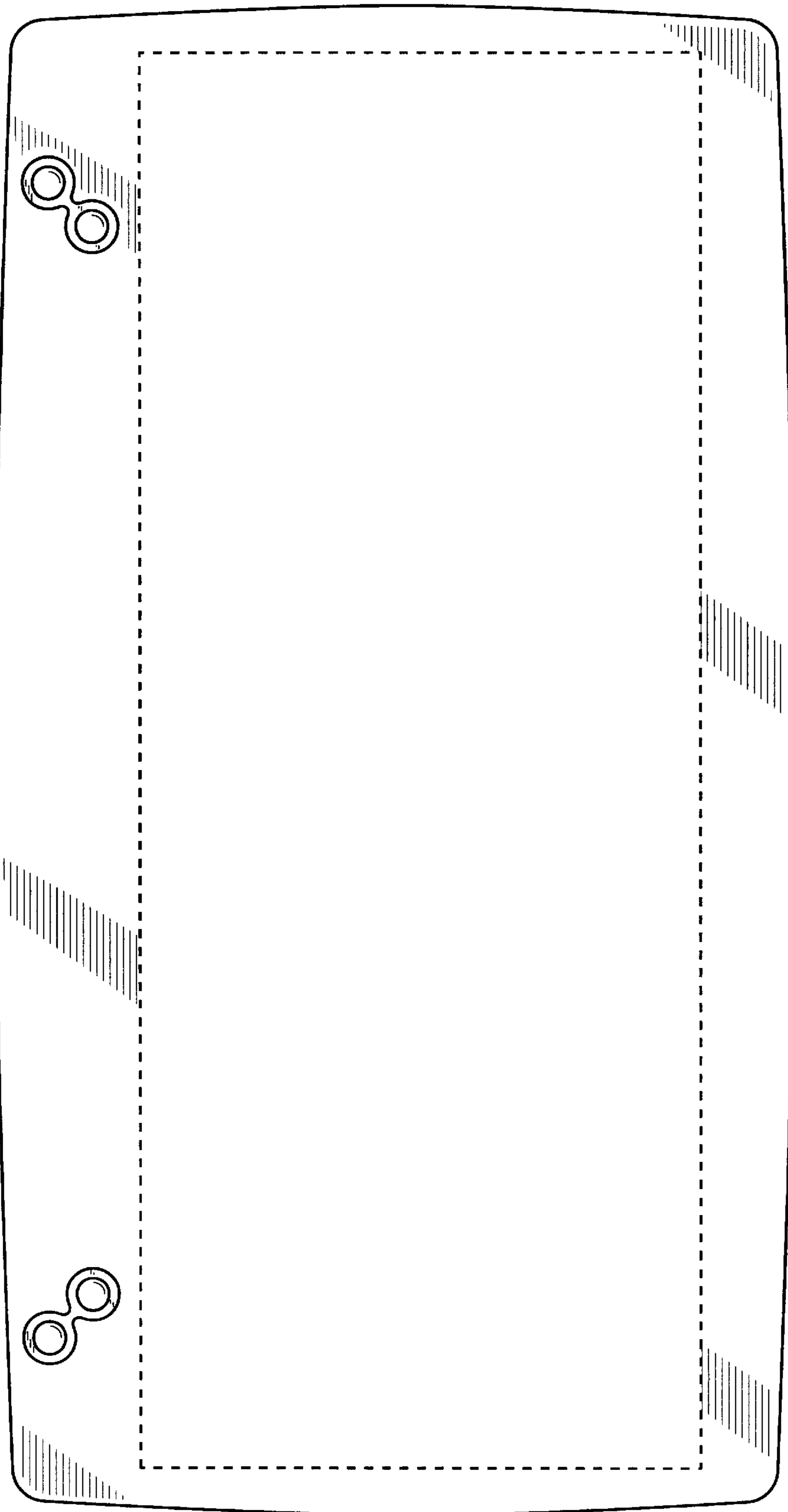


FIG. 3

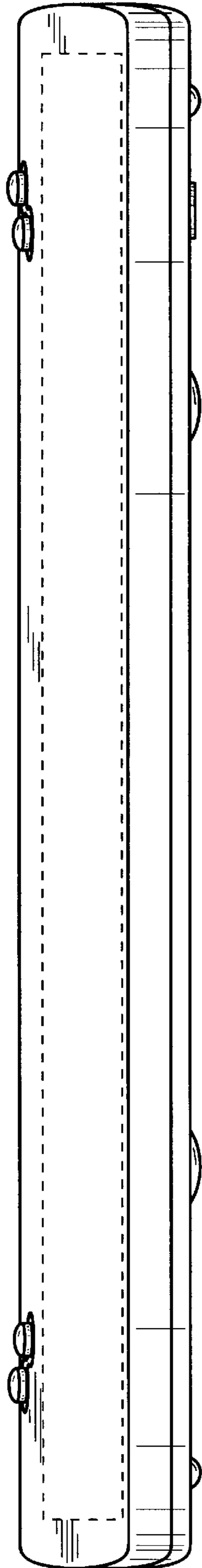


FIG. 4

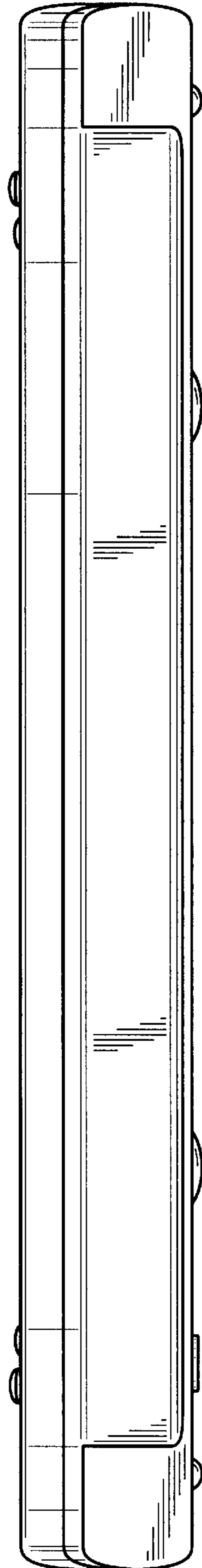


FIG. 6

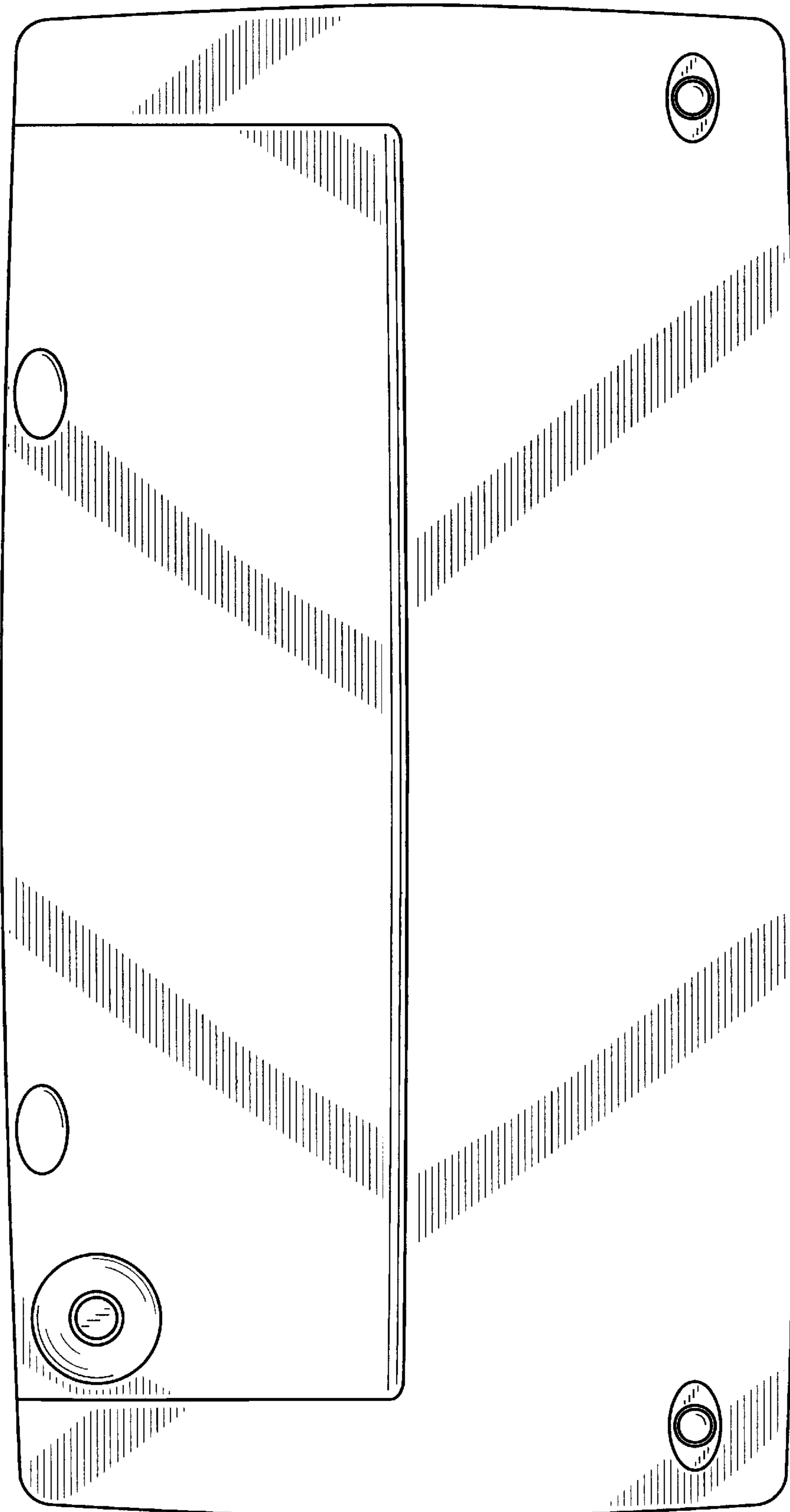


FIG. 5

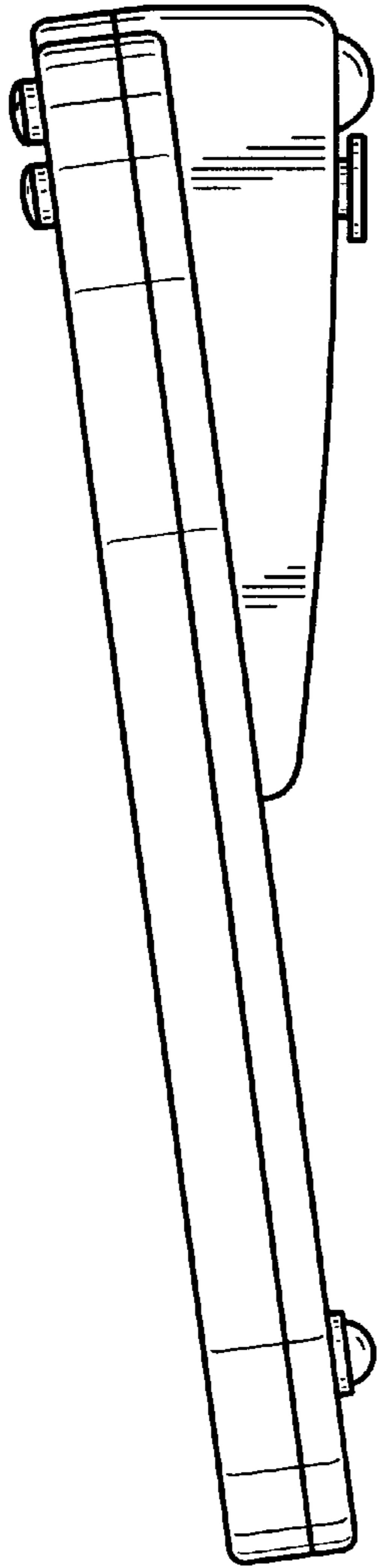


FIG. 7

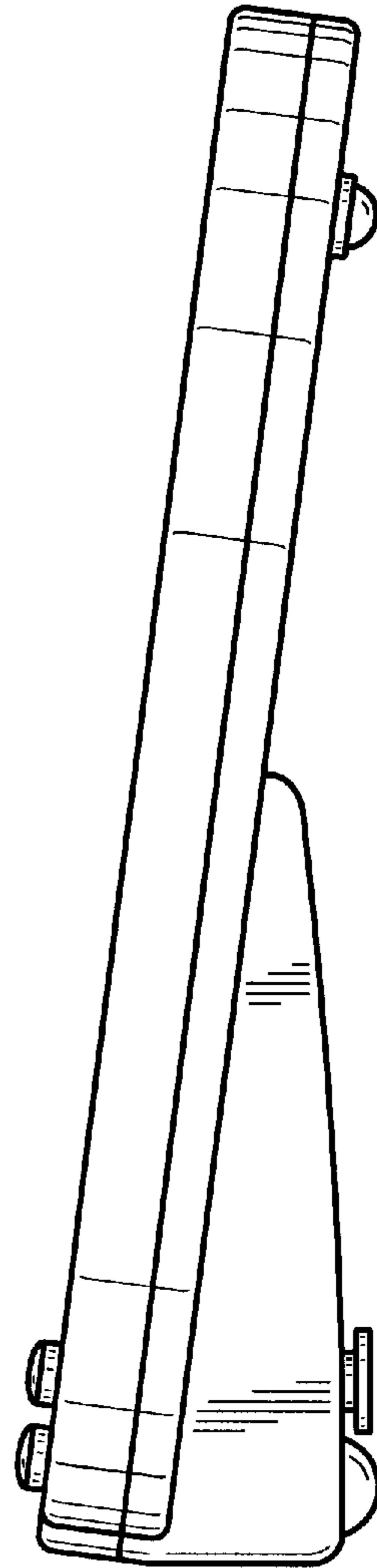


FIG. 8

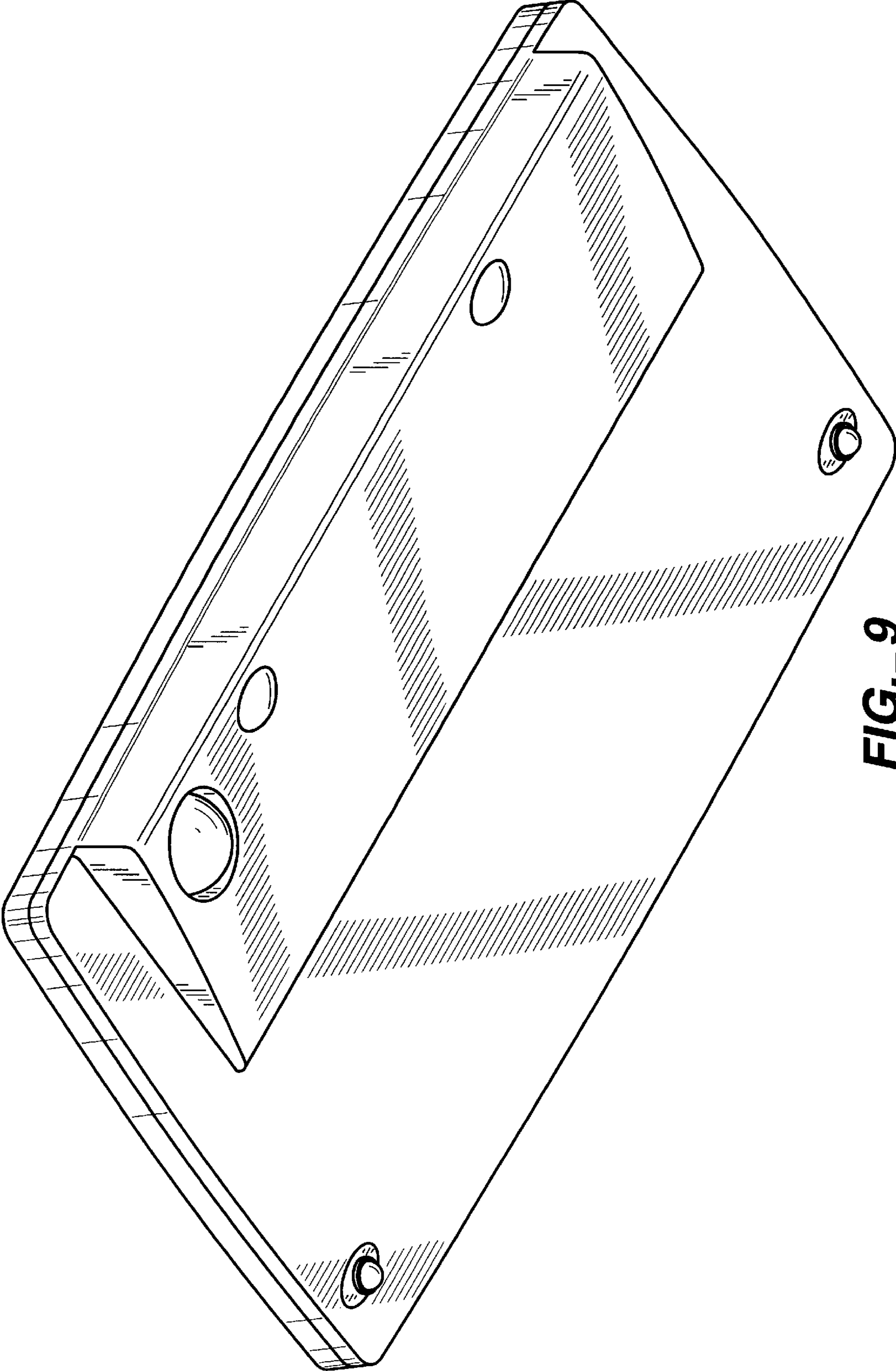


FIG. 9

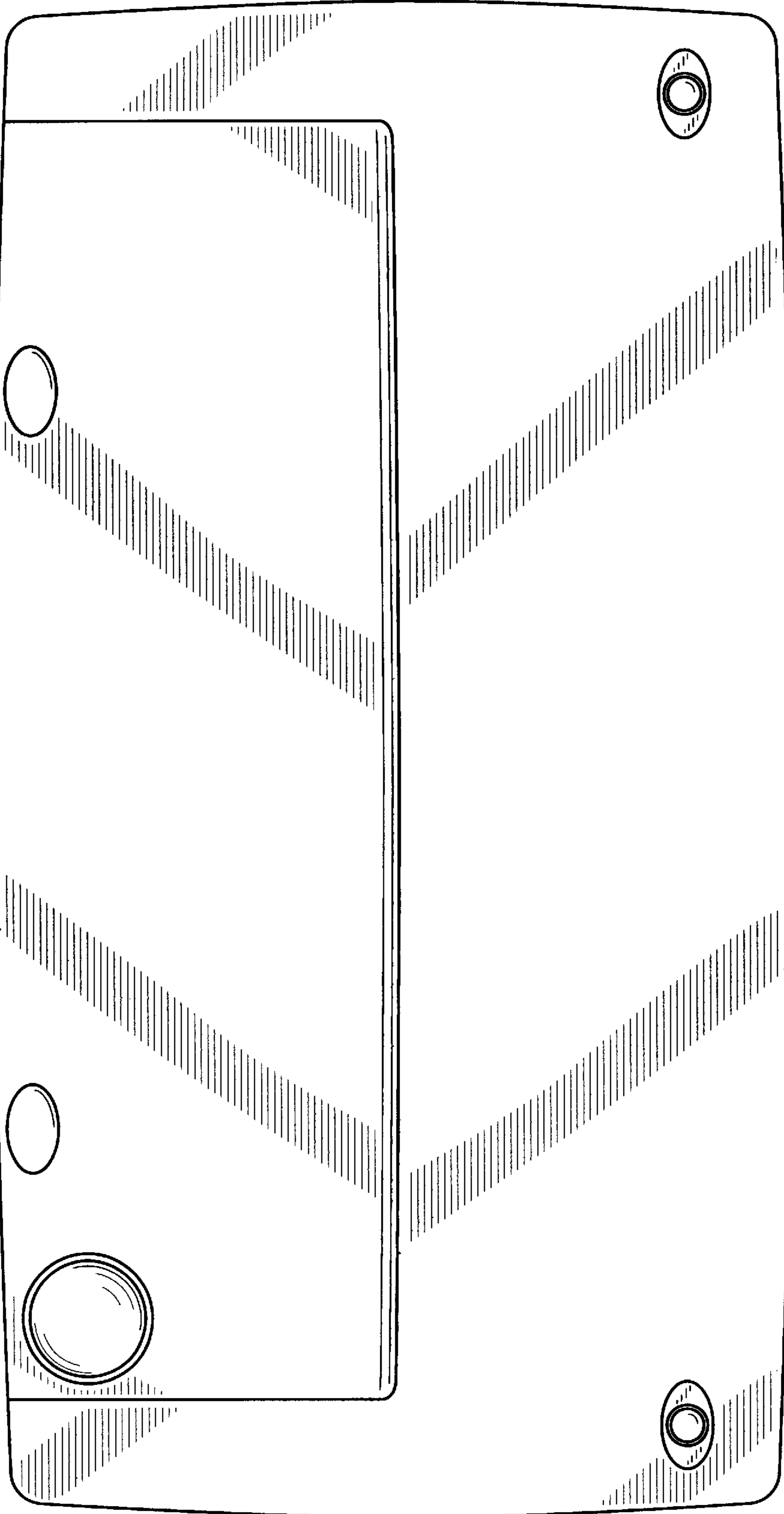


FIG.- 10

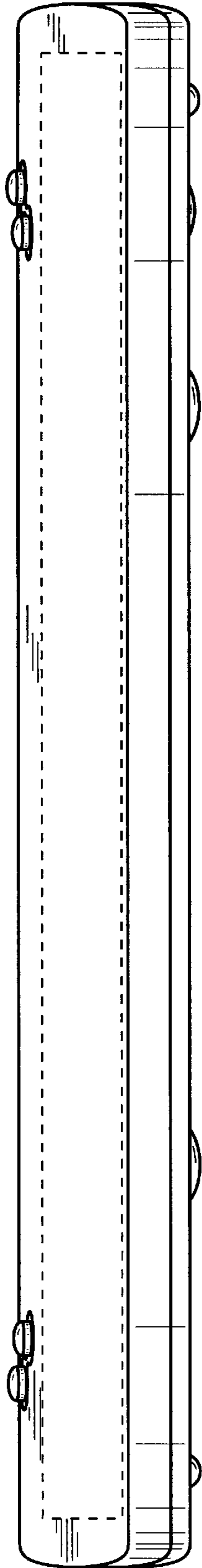


FIG. 11

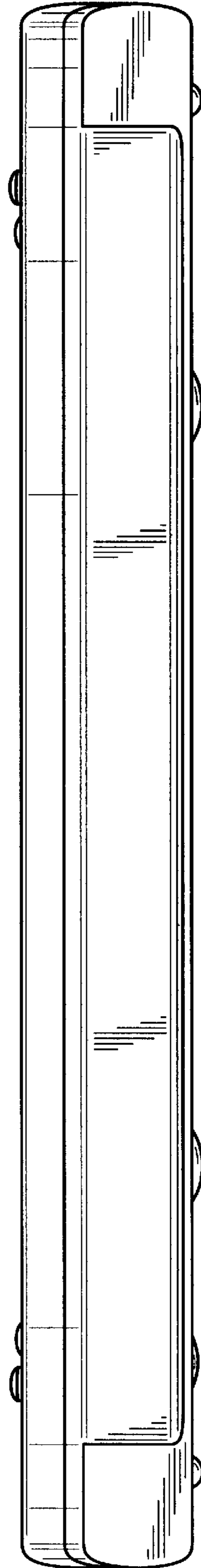


FIG. 12

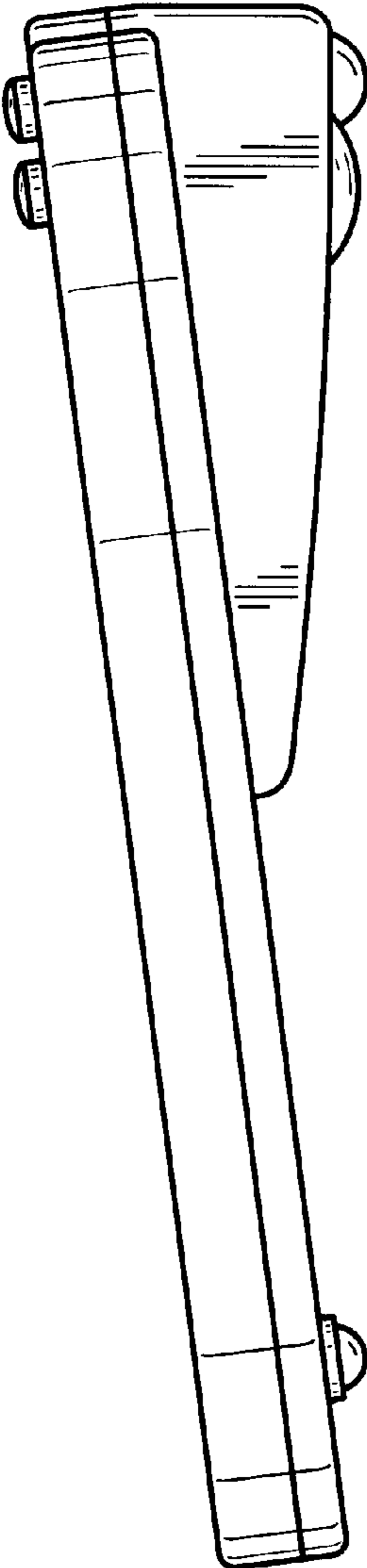


FIG. 13

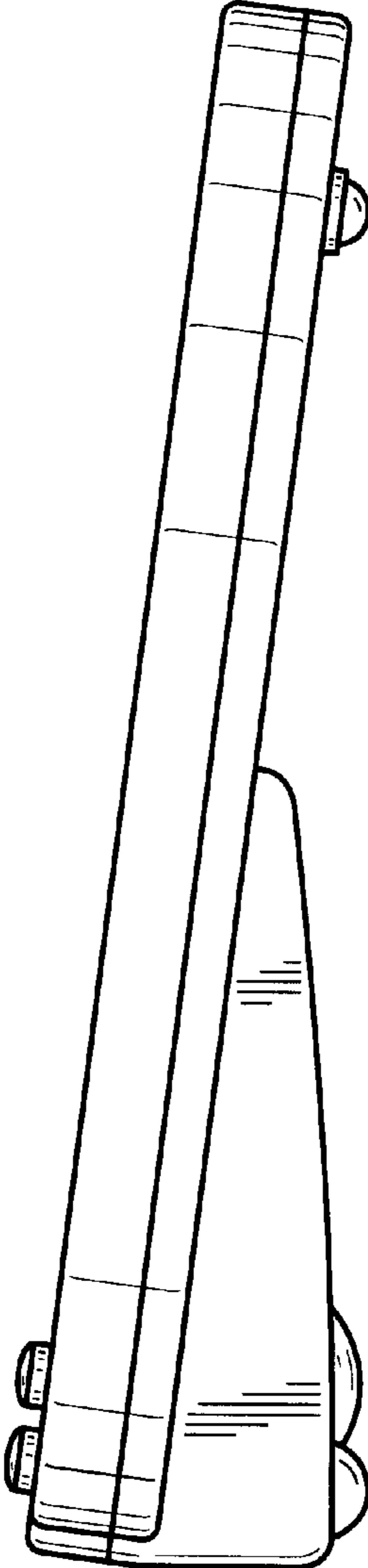


FIG. 14