



US00D522510S

(12) **United States Design Patent**
Su

(10) **Patent No.:** **US D522,510 S**
(45) **Date of Patent:** **** Jun. 6, 2006**

(54) **EXTRACTING TYPE CARRYING CASE FOR EXTERNAL CONNECTED FINGERPRINT HARD DISC**

(75) Inventor: **Tai Yuan Su**, Hsi-Chi (TW)

(73) Assignee: **Kouwell Electronics Corporation**, Taipei (TW)

(**) Term: **14 Years**

(21) Appl. No.: **29/227,784**

(22) Filed: **Apr. 16, 2005**

(30) **Foreign Application Priority Data**

Jan. 5, 2005 (TW) 94300064

(51) **LOC (8) Cl.** **14-02**

(52) **U.S. Cl.** **D14/384**

(58) **Field of Classification Search** D14/341-2, D14/348, 356-61, 363, 384-6, 388-9, 426, D14/432, 434-6; D10/104; 156/173; 345/104, 345/156, 173; 349/20-1; 382/115, 124-7
See application file for complete search history.

(56) **References Cited**

U.S. PATENT DOCUMENTS

3,942,630	A	*	3/1976	Phillips	206/1.5
D342,739	S	*	12/1993	Atkin et al.	D14/217
D362,240	S	*	9/1995	Heidorn et al.	D14/357
D383,732	S	*	9/1997	Haley et al.	D14/435
D391,942	S	*	3/1998	Lee	D14/341
D398,920	S	*	9/1998	Yen	D14/125

D413,323	S	*	8/1999	Tashiro	D14/357
D413,827	S	*	9/1999	Fenner	D10/104
D426,238	S	*	6/2000	Liu	D14/385
D451,919	S	*	12/2001	Abboud	D14/356
6,512,178	B1	*	1/2003	Goodman	174/66
D508,245	S	*	8/2005	Ozolins et al.	D14/383
2003/0165047	A1	*	9/2003	Eiden	361/679

FOREIGN PATENT DOCUMENTS

EP 506292 A1 * 9/1992

* cited by examiner

Primary Examiner—Robin Webster

Assistant Examiner—Karen E. Patterson

(57) **CLAIM**

I claim the ornamental design for an “extracting type carrying case for external connected fingerprint hard disc,” as shown and described.

DESCRIPTION

FIG. 1 is a perspective view of an “extracting type carrying case for external connected fingerprint hard disc” showing my new design;

FIG. 2 is a front elevational view thereof;

FIG. 3 is a rear elevational view thereof;

FIG. 4 is a left side elevational view thereof;

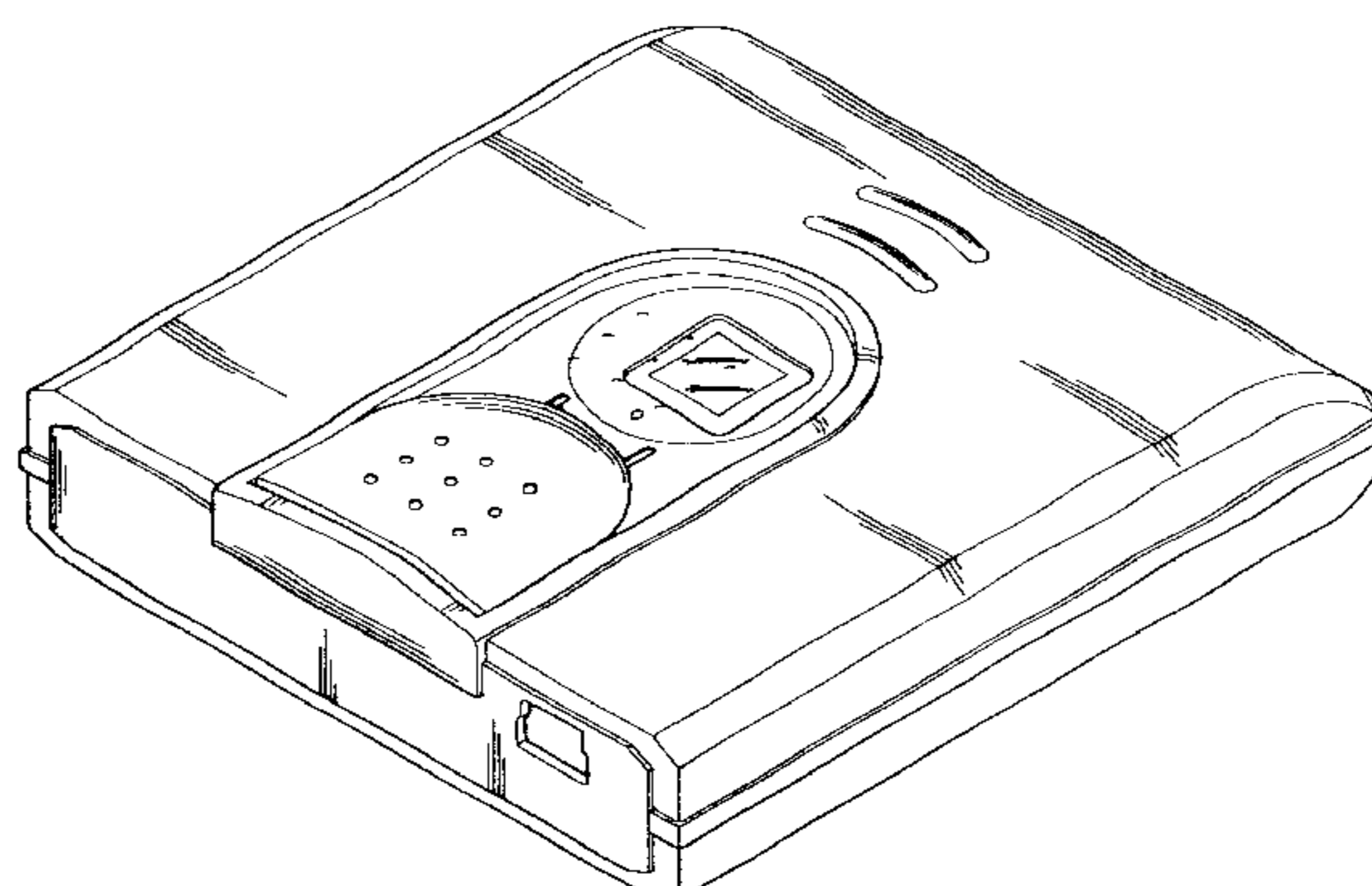
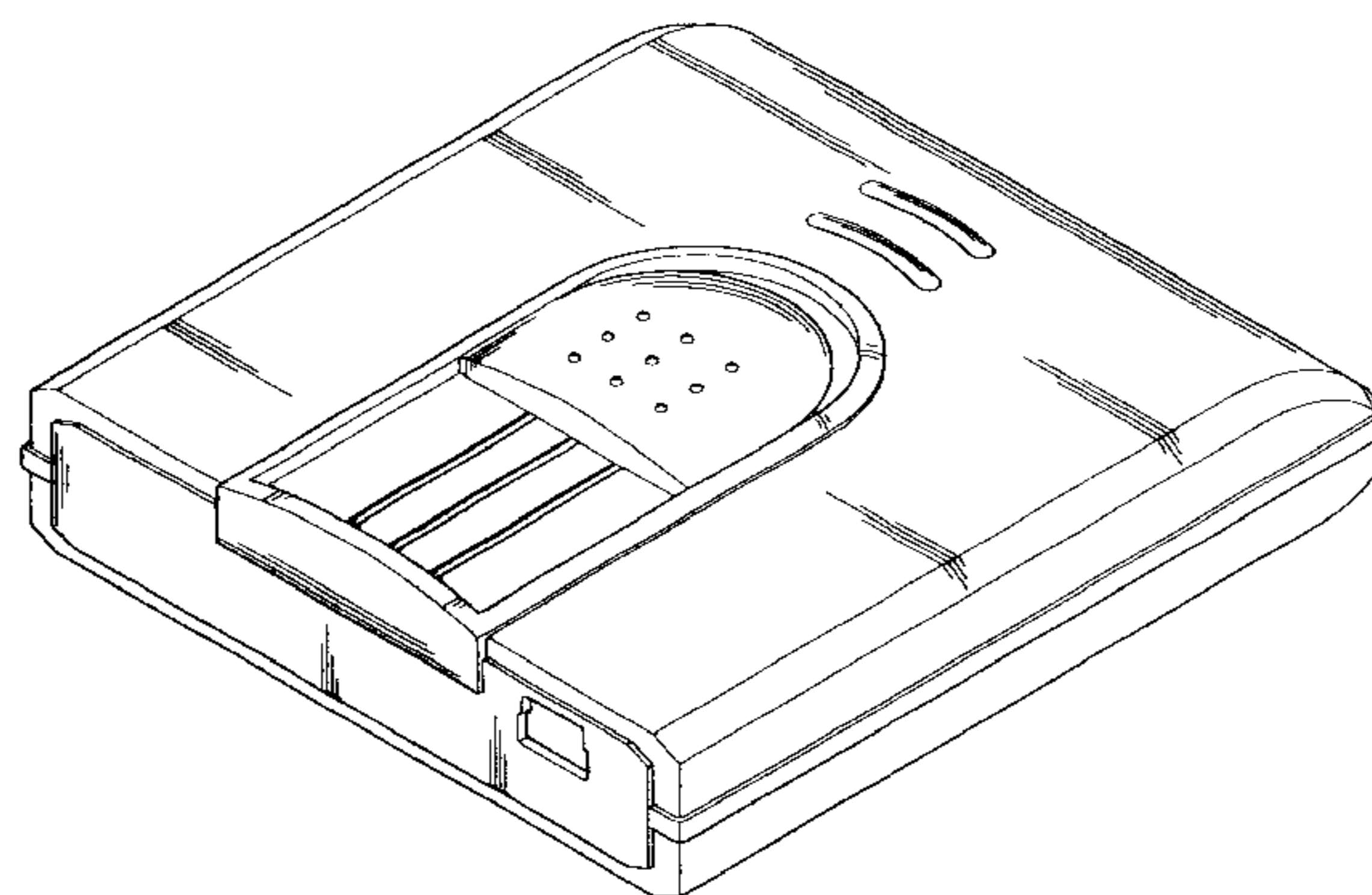
FIG. 5 is right side elevational view thereof;

FIG. 6 is a top view thereof;

FIG. 7 is a bottom view thereof; and,

FIG. 8 is a perspective view thereof, wherein the sliding cover is in the open position.

1 Claim, 8 Drawing Sheets



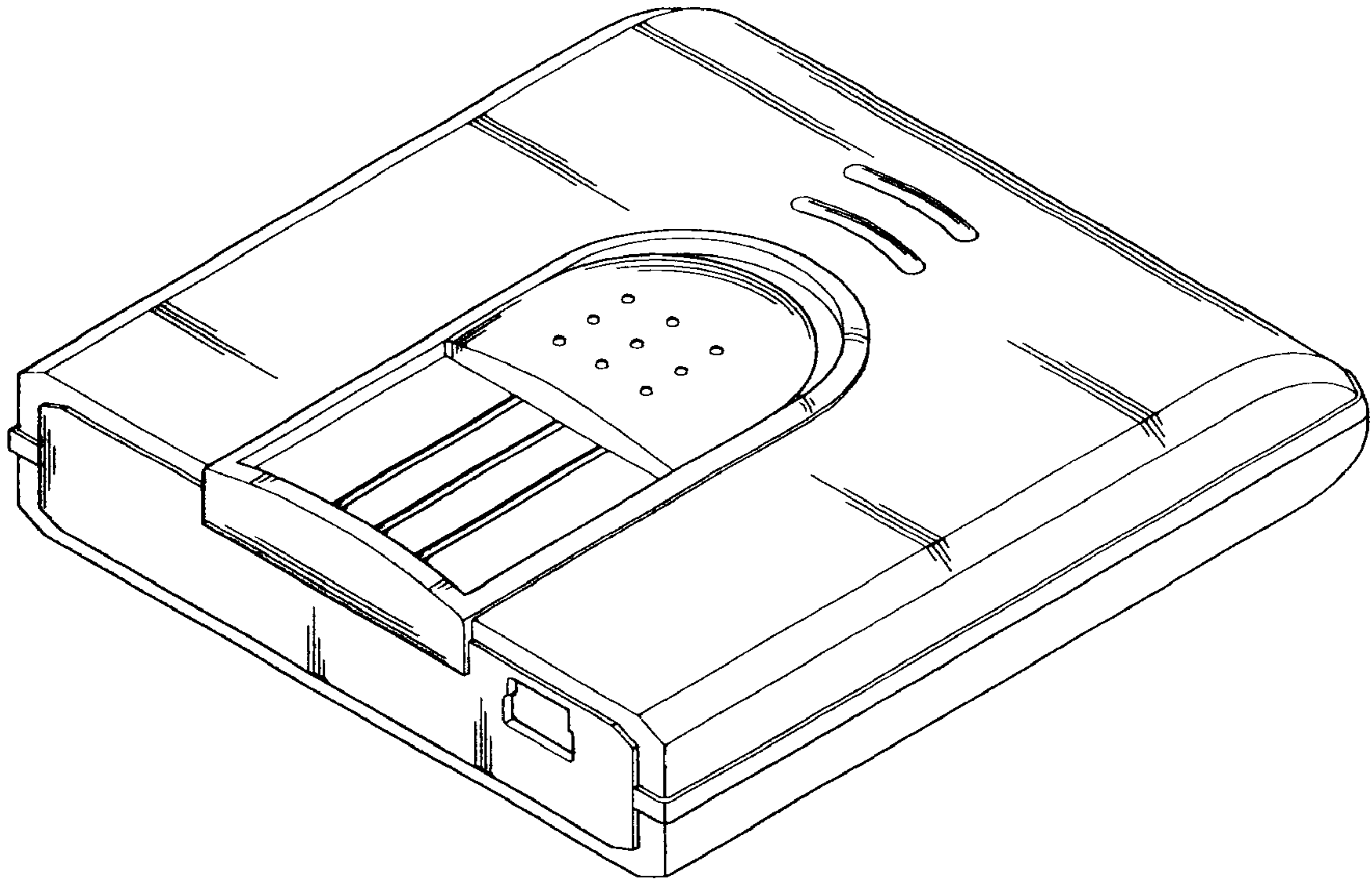


FIG. 1

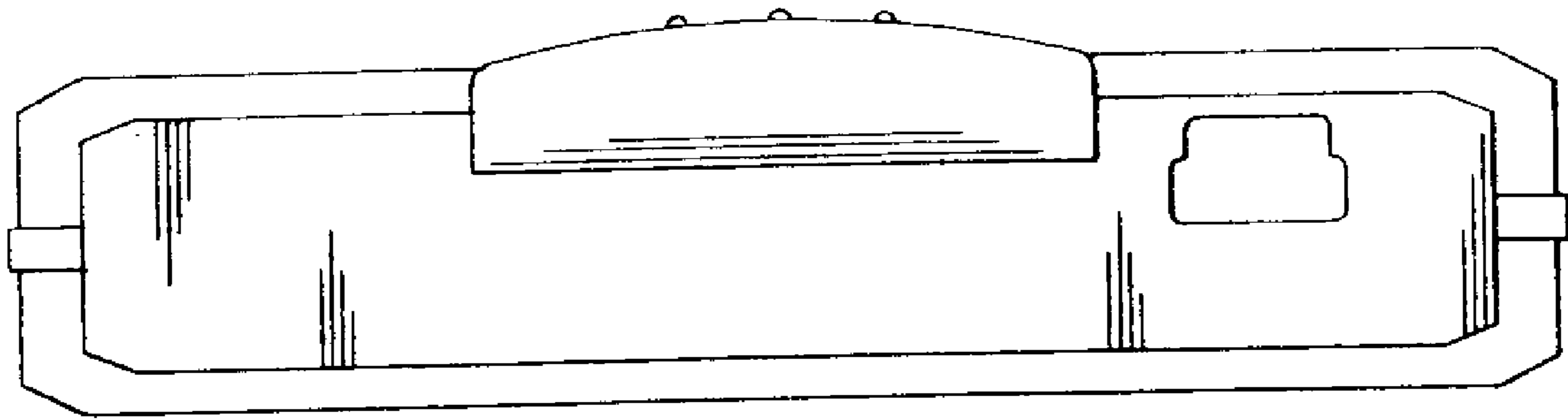


FIG. 2

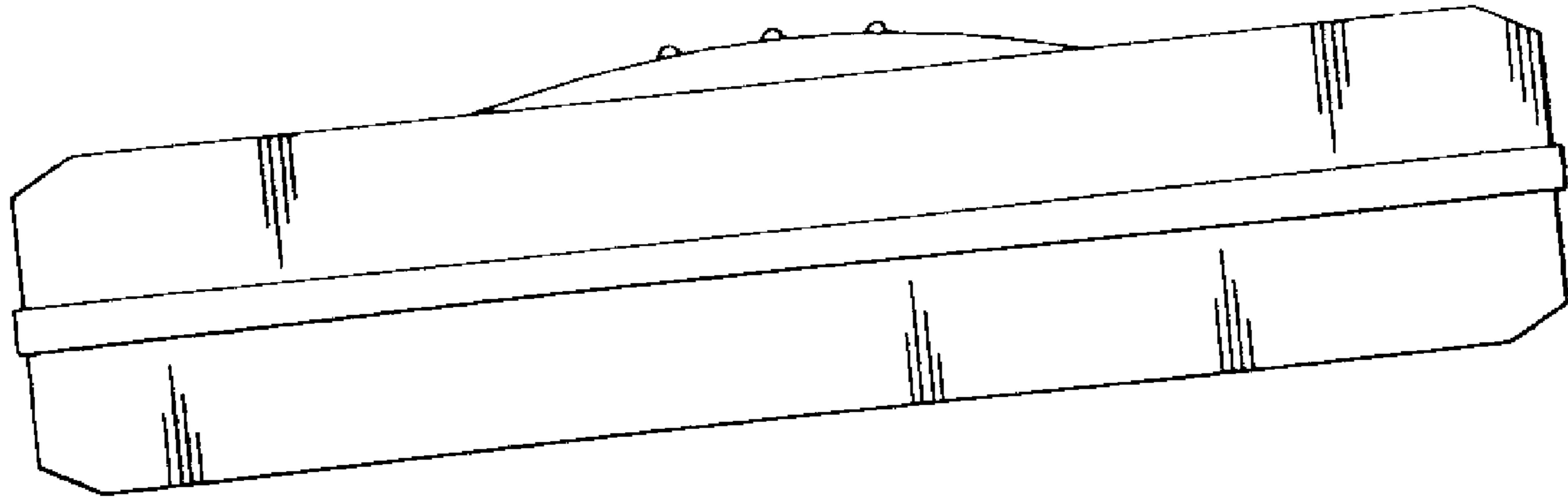


FIG. 3

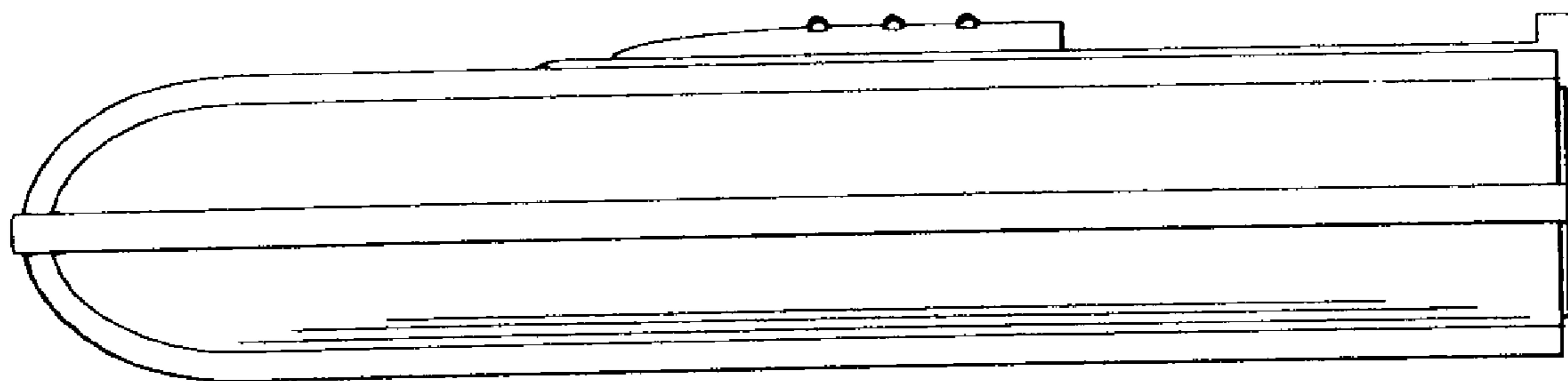


FIG. 4

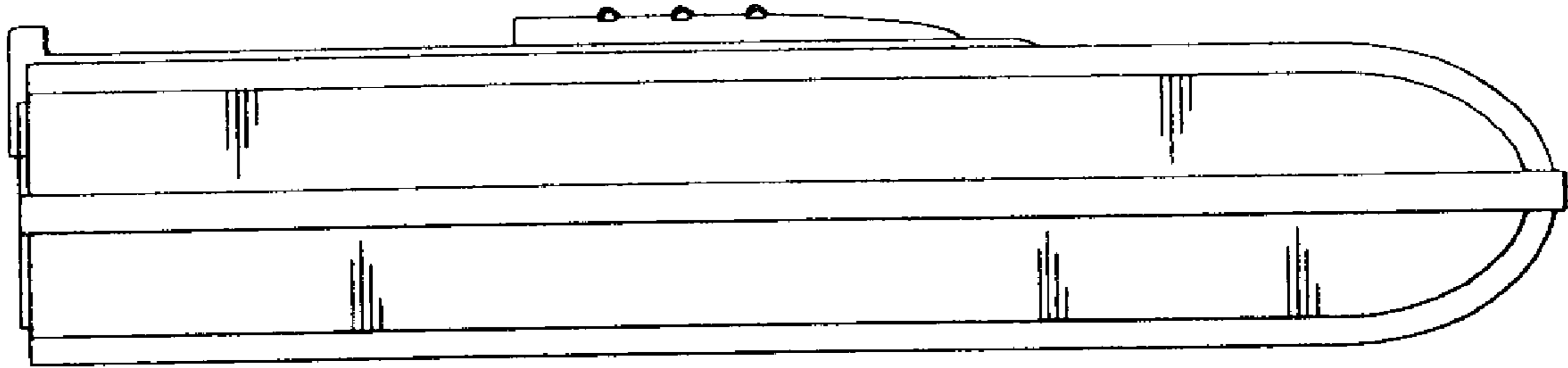


FIG. 5

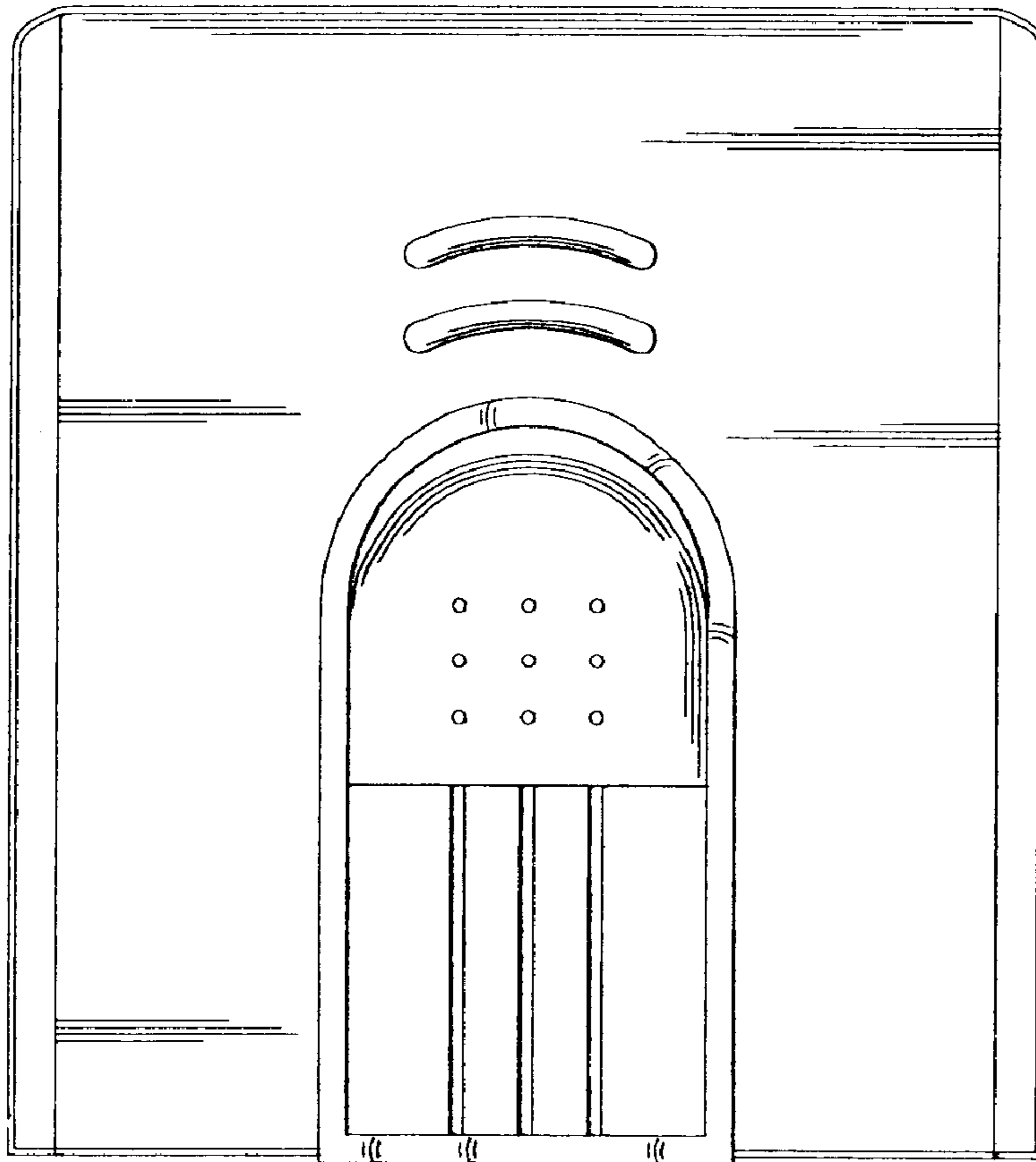


FIG. 6

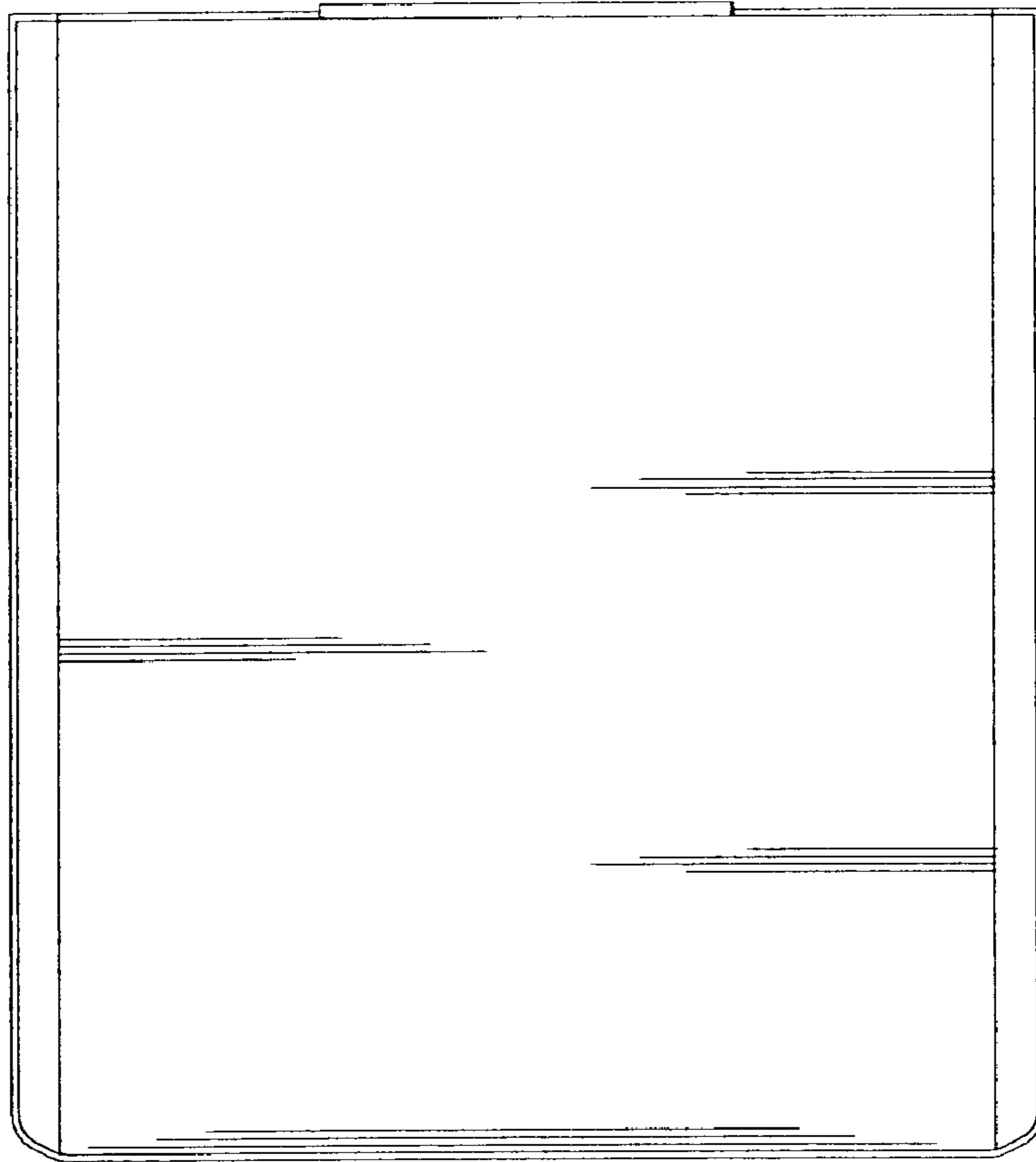


FIG. 7

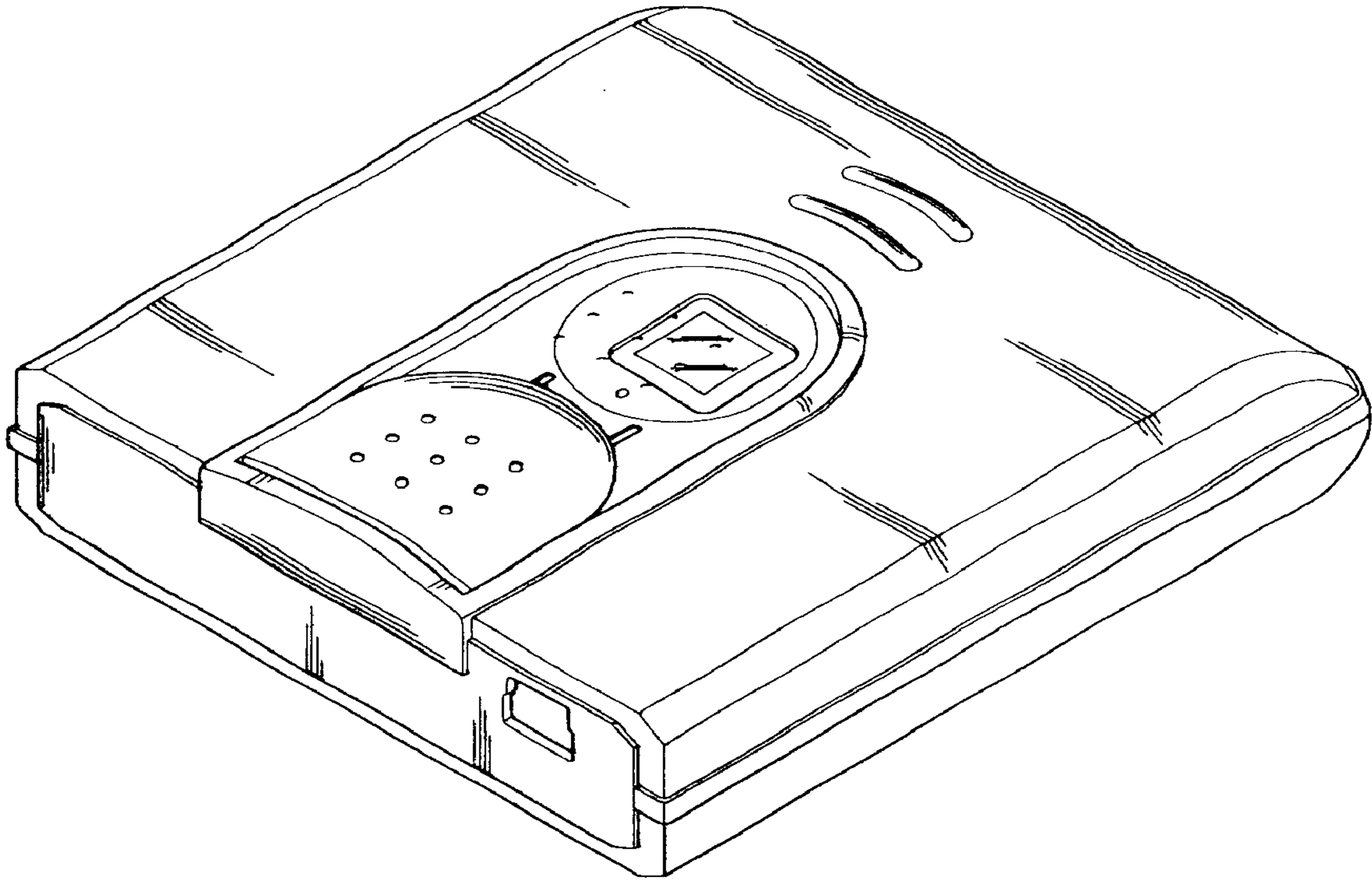


FIG. 8