



US00D522508S

(12) **United States Design Patent**
Chen

(10) **Patent No.:** **US D522,508 S**

(45) **Date of Patent:** **** Jun. 6, 2006**

(54) **MULTIMEDIA COMPUTER HOST**

(75) Inventor: **Fang-Hsuan Chen**, Taipei (TW)

(73) Assignee: **Shuttle Inc.**, Taipei (TW)

(**) Term: **14 Years**

(21) Appl. No.: **29/225,560**

(22) Filed: **Mar. 18, 2005**

(51) **LOC (8) Cl.** **14-02**

(52) **U.S. Cl.** **D14/356**

(58) **Field of Classification Search** D14/300,
D14/301, 314, 348, 356, 358; D13/162, 184,
D13/199; 312/223.1-223.3; 360/99.01-99.12;
361/680-686; 369/34.01, 36.01; 439/717
See application file for complete search history.

(56) **References Cited**

U.S. PATENT DOCUMENTS

D357,235 S	*	4/1995	Takahashi	D14/357
D367,854 S	*	3/1996	Iino et al.	D14/434
D375,488 S	*	11/1996	Ikenaga	D14/357
D403,668 S	*	1/1999	Parent	D14/356
D407,393 S	*	3/1999	Kazama	D14/125

D441,747 S	*	5/2001	Liu et al.	D14/356
6,328,612 B1	*	12/2001	Chung	439/717
D457,158 S	*	5/2002	Awamori et al.	D14/356
D463,415 S	*	9/2002	Tomino et al.	D14/240
D486,150 S	*	2/2004	Chung	D14/356
D491,941 S	*	6/2004	Chen	D14/370
D495,330 S	*	8/2004	Kanatani et al.	D14/356

* cited by examiner

Primary Examiner—Freda S. Nunn

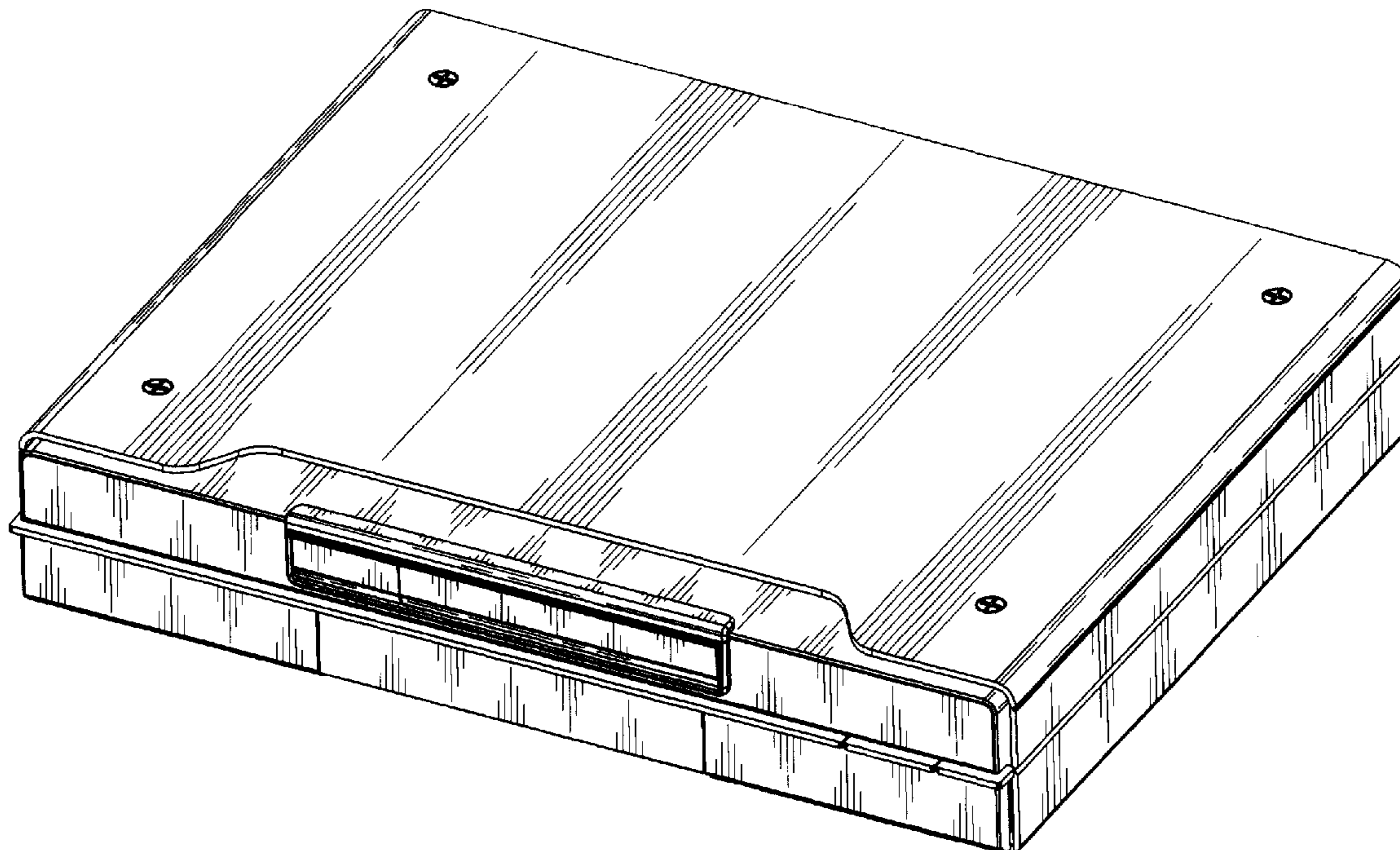
(57) **CLAIM**

The ornamental design for a multimedia computer host, as shown and described.

DESCRIPTION

FIG. 1 is a perspective view of a multimedia computer host showing my new design;
FIG. 2 is a front view thereof;
FIG. 3 is a rear view thereof;
FIG. 4 is a left side view thereof;
FIG. 5 is a right side view thereof;
FIG. 6 is a top view thereof; and,
FIG. 7 is a bottom view thereof.

1 Claim, 5 Drawing Sheets



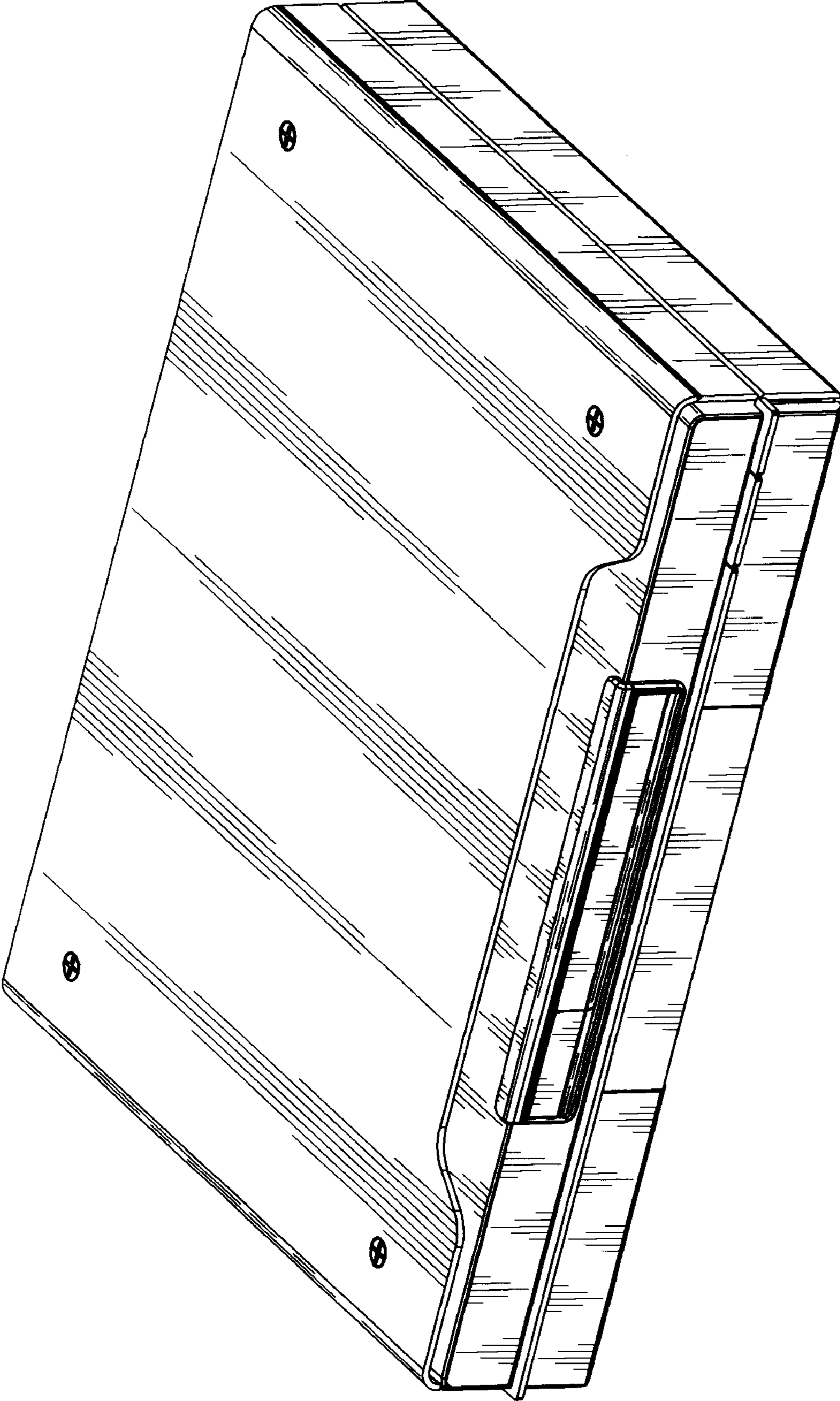


FIG. 1

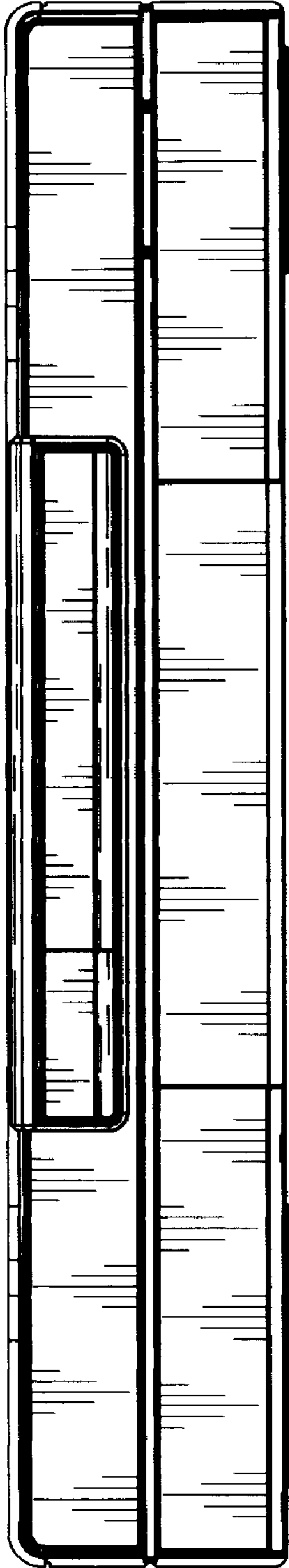


FIG. 2

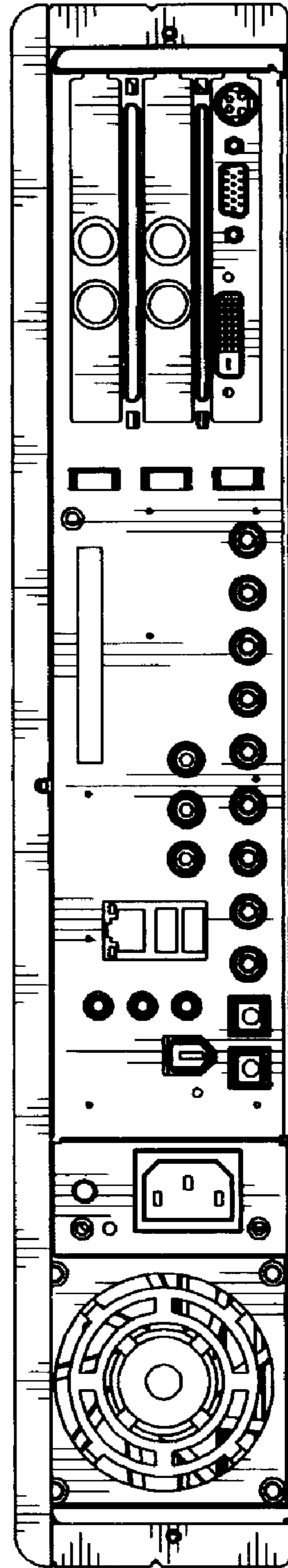


FIG. 3

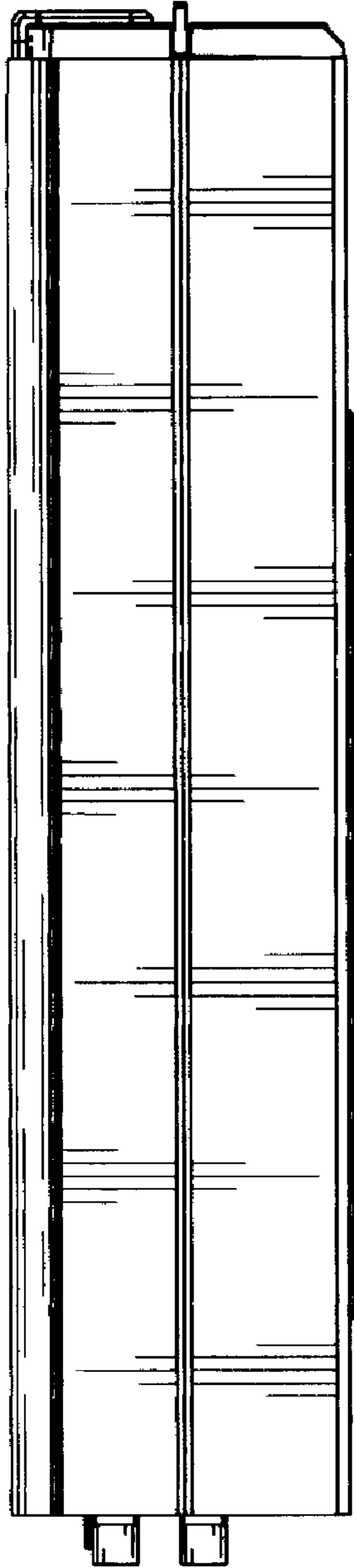


FIG. 4

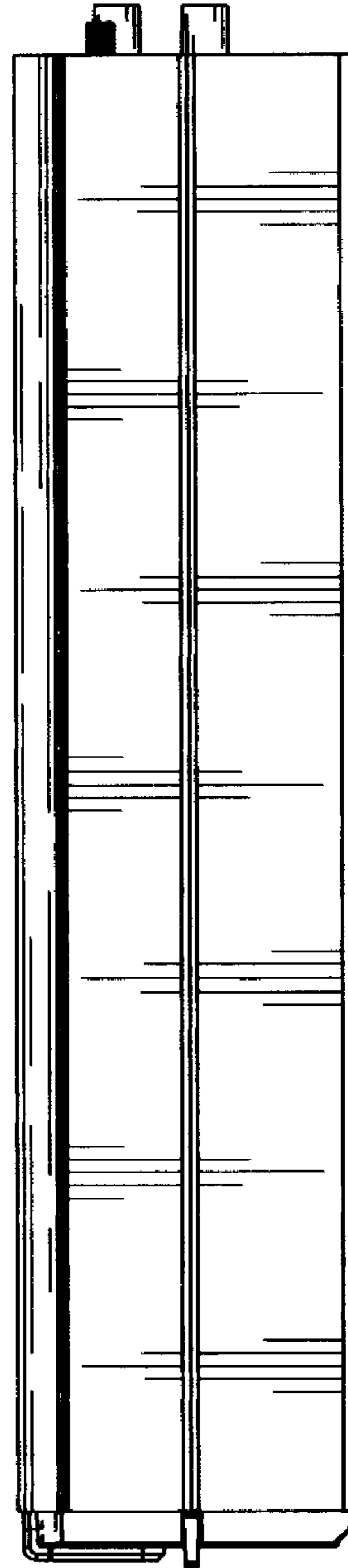


FIG. 5

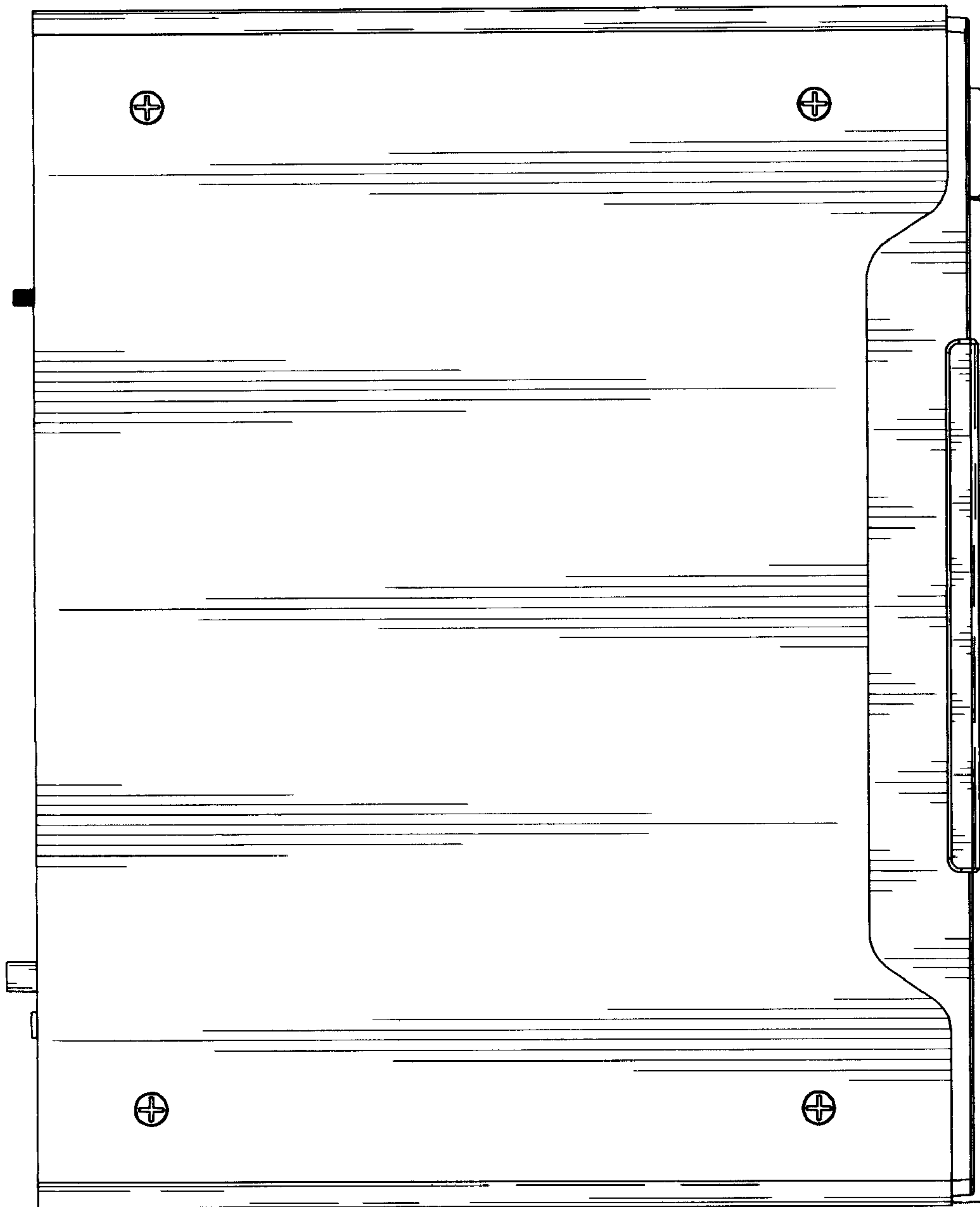


FIG. 6

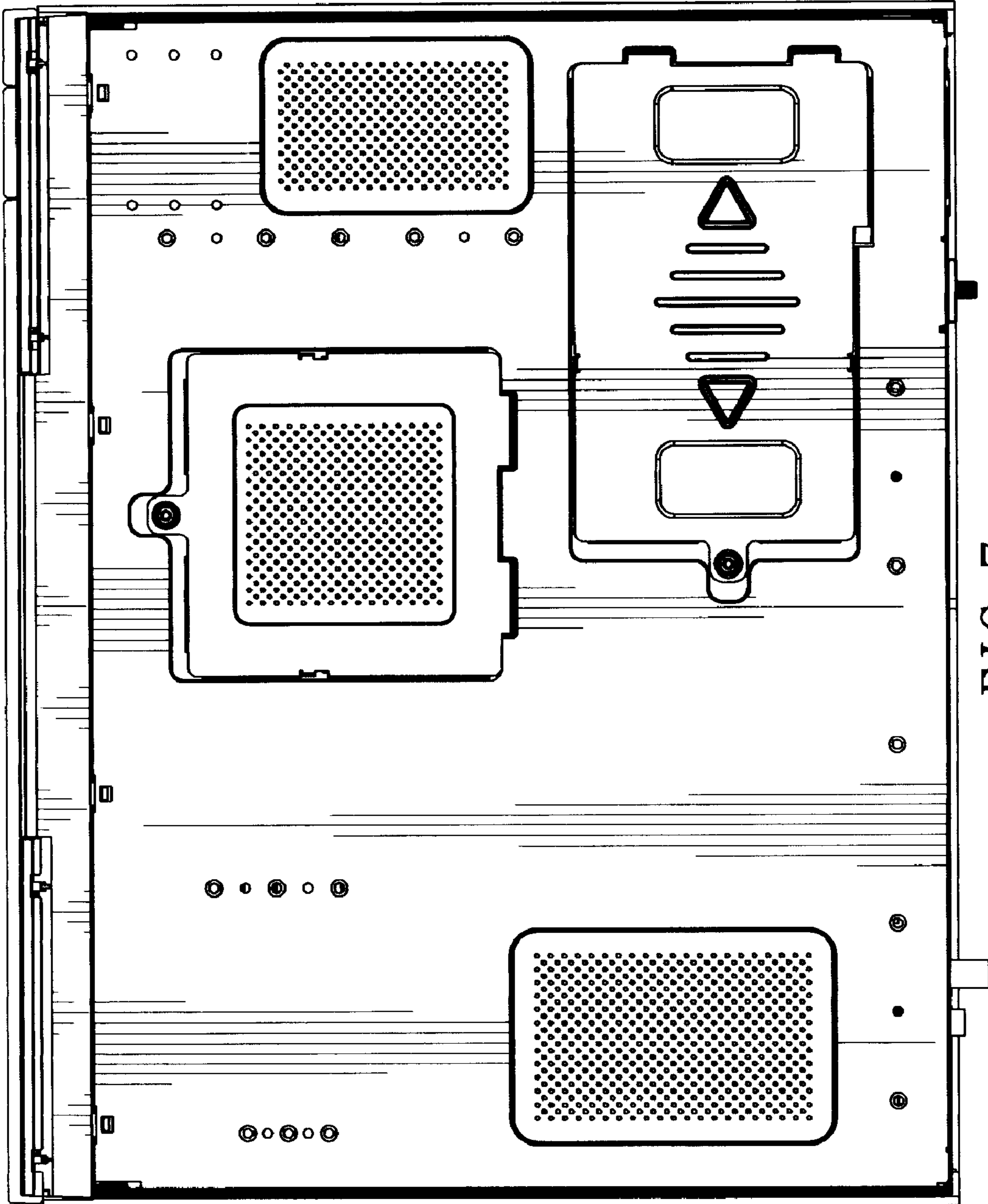


FIG. 7