



US00D522503S

(12) **United States Design Patent**
Noda et al.

(10) **Patent No.:** **US D522,503 S**
(45) **Date of Patent:** **** Jun. 6, 2006**

(54) **COMPUTER**

(75) Inventors: **Hiroyuki Noda**, Musashino (JP); **Yoko Sato**, Fuchu (JP); **Tadahiro Yamaguchi**, Tama (JP); **Koji Suso**, Kokubunji (JP); **Kazuma Kishi**, Ebina (JP); **Daichi Hotta**, Chigasaki (JP)

(73) Assignee: **Hitachi, Ltd.**, Tokyo (JP)

(**) Term: **14 Years**

(21) Appl. No.: **29/232,488**

(22) Filed: **Jun. 21, 2005**

(30) **Foreign Application Priority Data**

Dec. 24, 2004 (JP) 2004-039424

(51) **LOC (8) Cl.** **14-02**

(52) **U.S. Cl.** **D14/337**

(58) **Field of Classification Search** D14/336,
D14/337, 371, 125-129; 345/104, 156, 168,
345/173, 87, 1.1, 901-905; 348/180, 184,
348/325, 739; 341/12; 349/1, 2, 11, 62
See application file for complete search history.

(56) **References Cited**

U.S. PATENT DOCUMENTS

D432,534 S * 10/2000 Hirose et al. D14/337

D448,372 S * 9/2001 Kim D14/337
D479,230 S * 9/2003 Hirose et al. D14/337
D494,163 S * 8/2004 Ishii D14/337

* cited by examiner

Primary Examiner—Freda S. Nunn

(74) *Attorney, Agent, or Firm*—Antonelli, Terry, Stout and Kraus, LLP

(57) **CLAIM**

We claim the ornamental design for a computer, as shown and described.

DESCRIPTION

FIG. 1 is a front, top and right side perspective view of a computer showing our new design;

FIG. 2 is a front elevational view thereof;

FIG. 3 is a rear elevational view thereof;

FIG. 4 is a right side elevational view thereof;

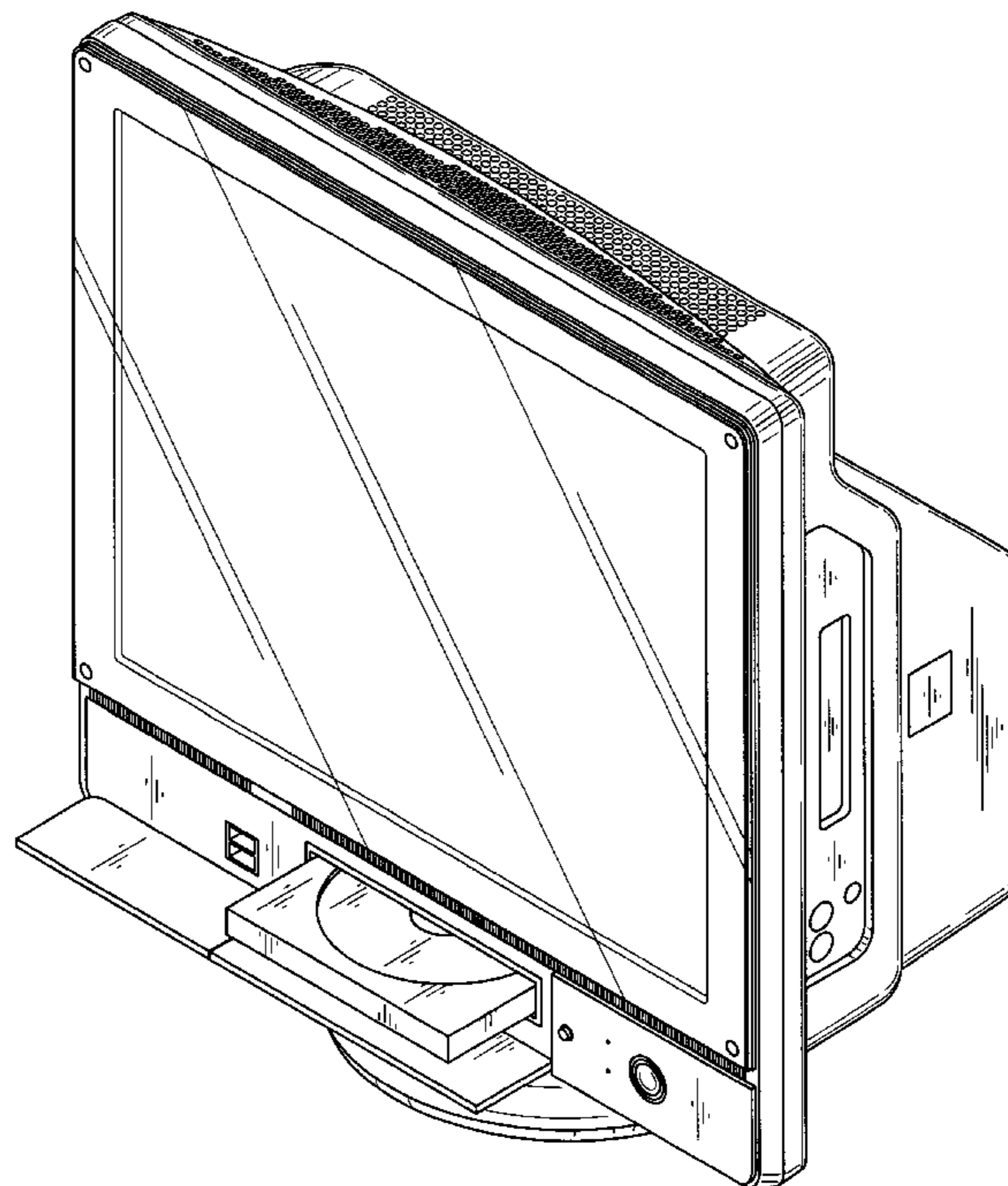
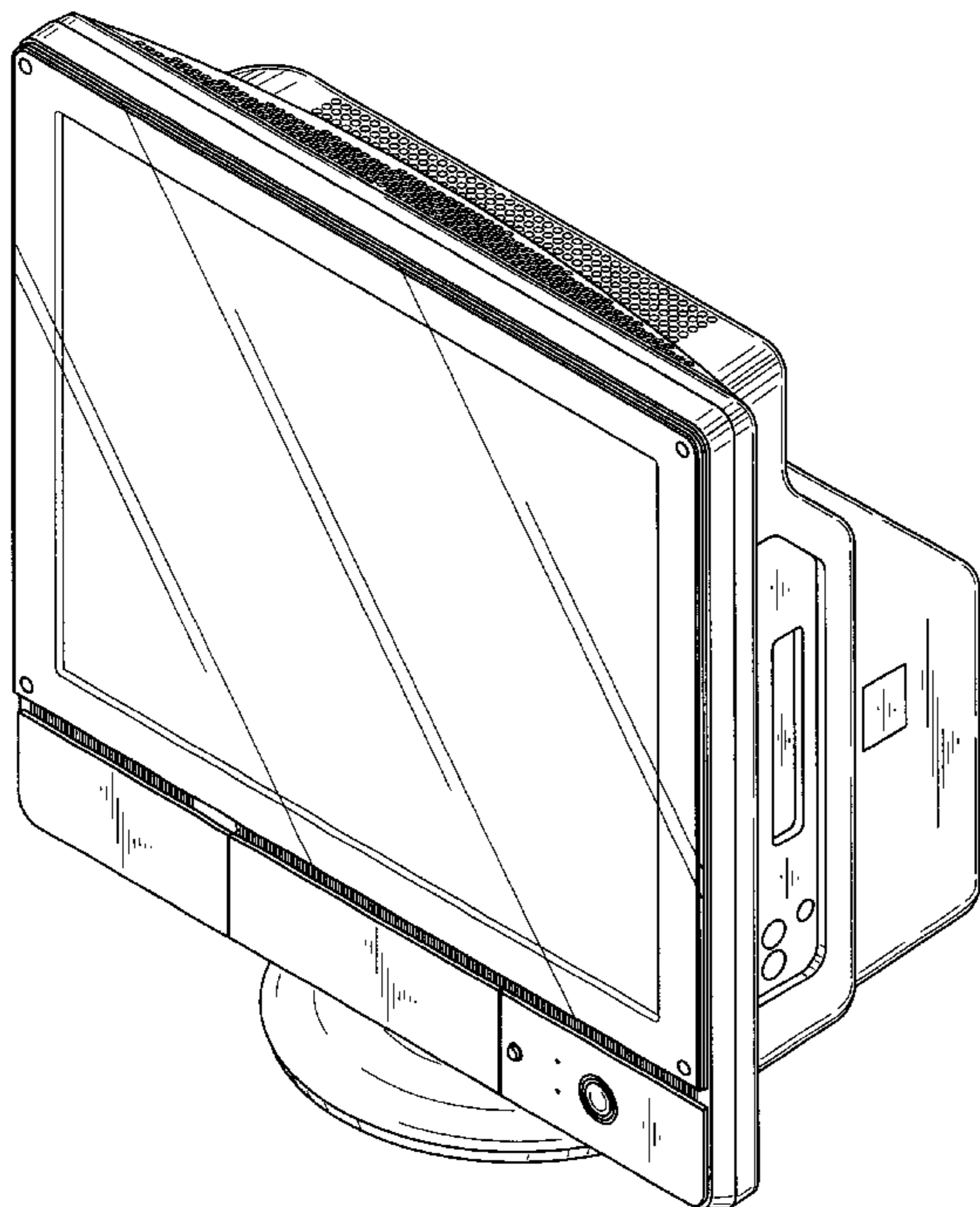
FIG. 5 is a left side elevational view thereof;

FIG. 6 is a top plan elevational view thereof;

FIG. 7 is a bottom plan elevational view thereof; and,

FIG. 8 is a perspective view showing the open condition.

1 Claim, 7 Drawing Sheets



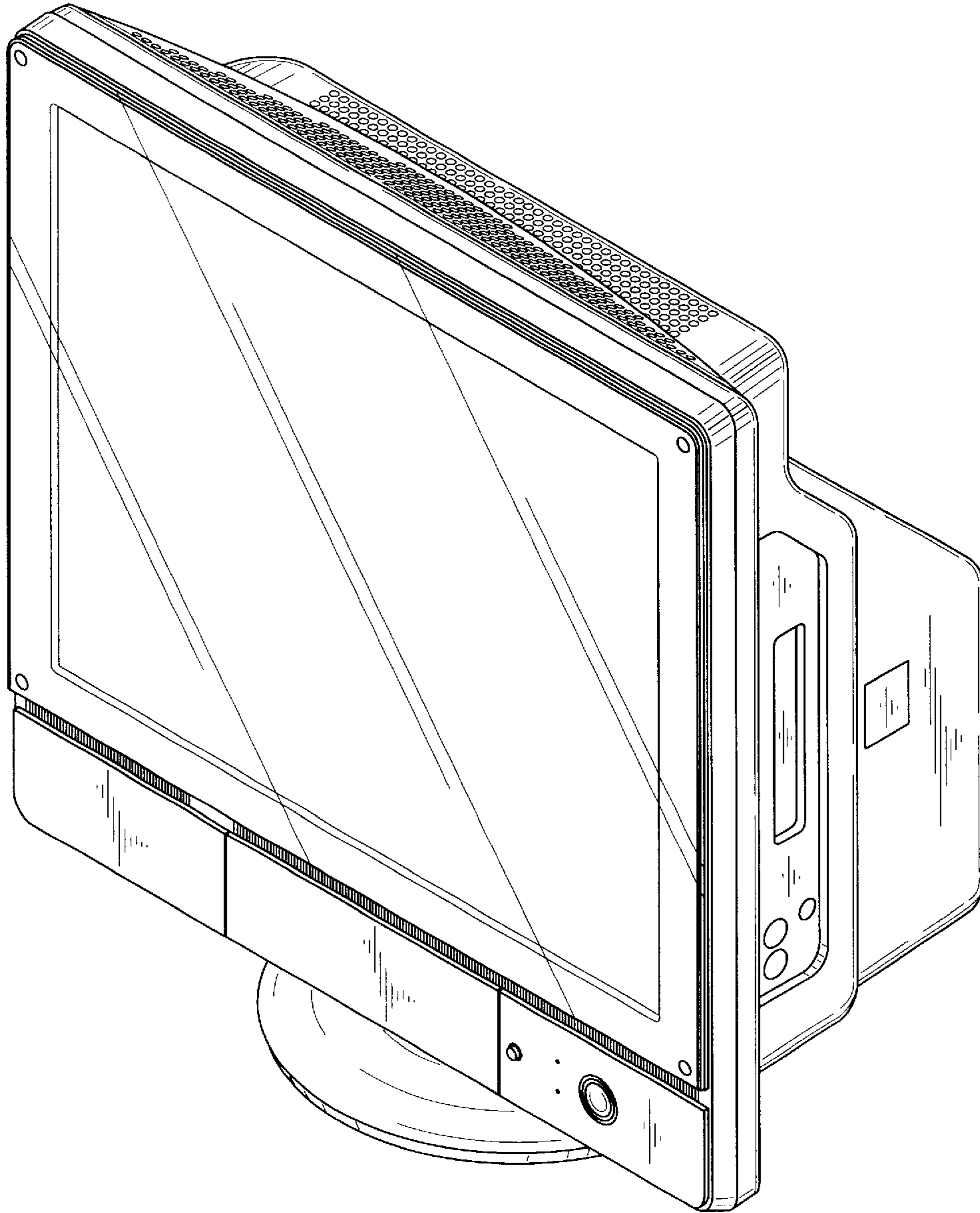


FIG. 1

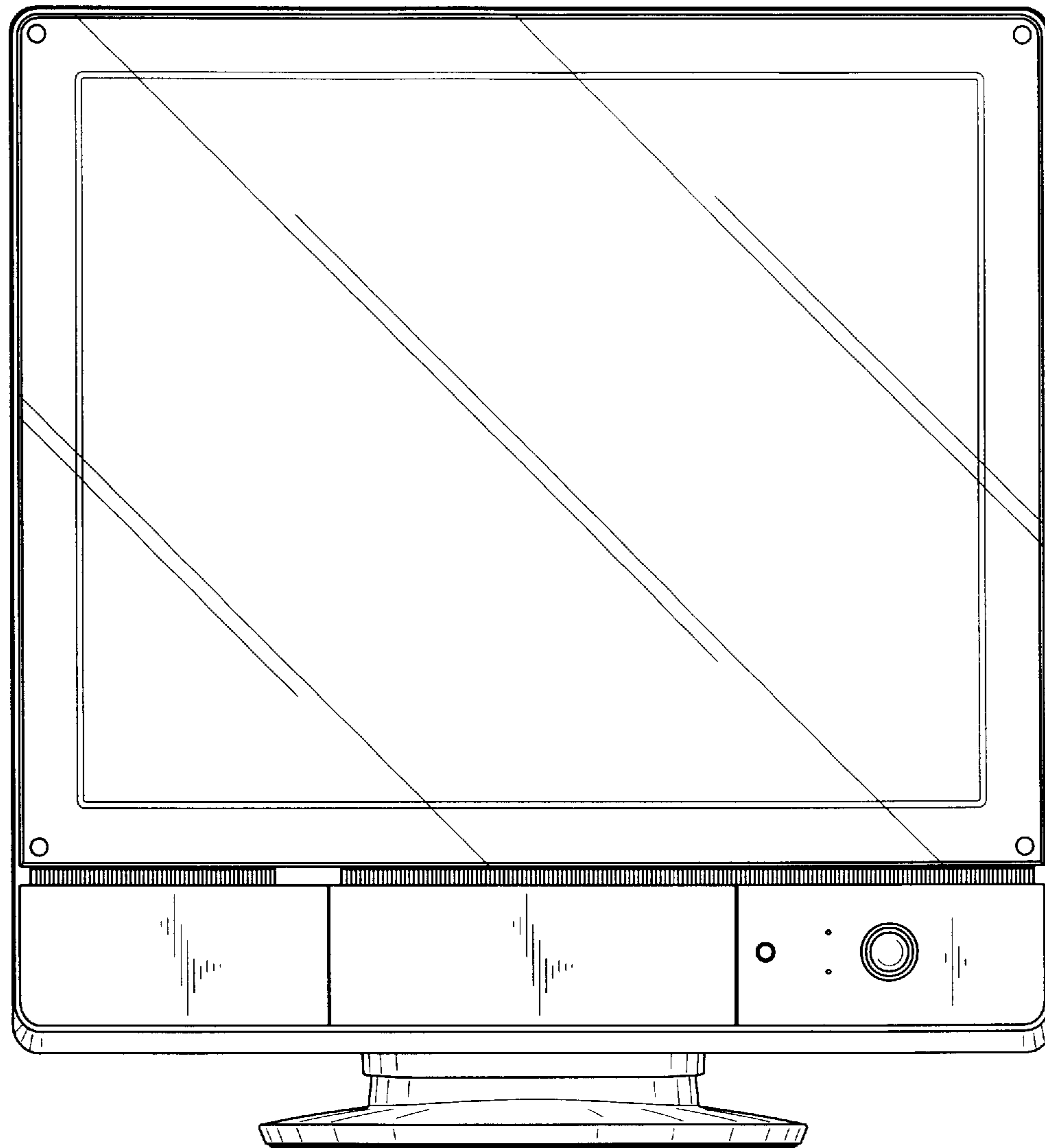


FIG. 2

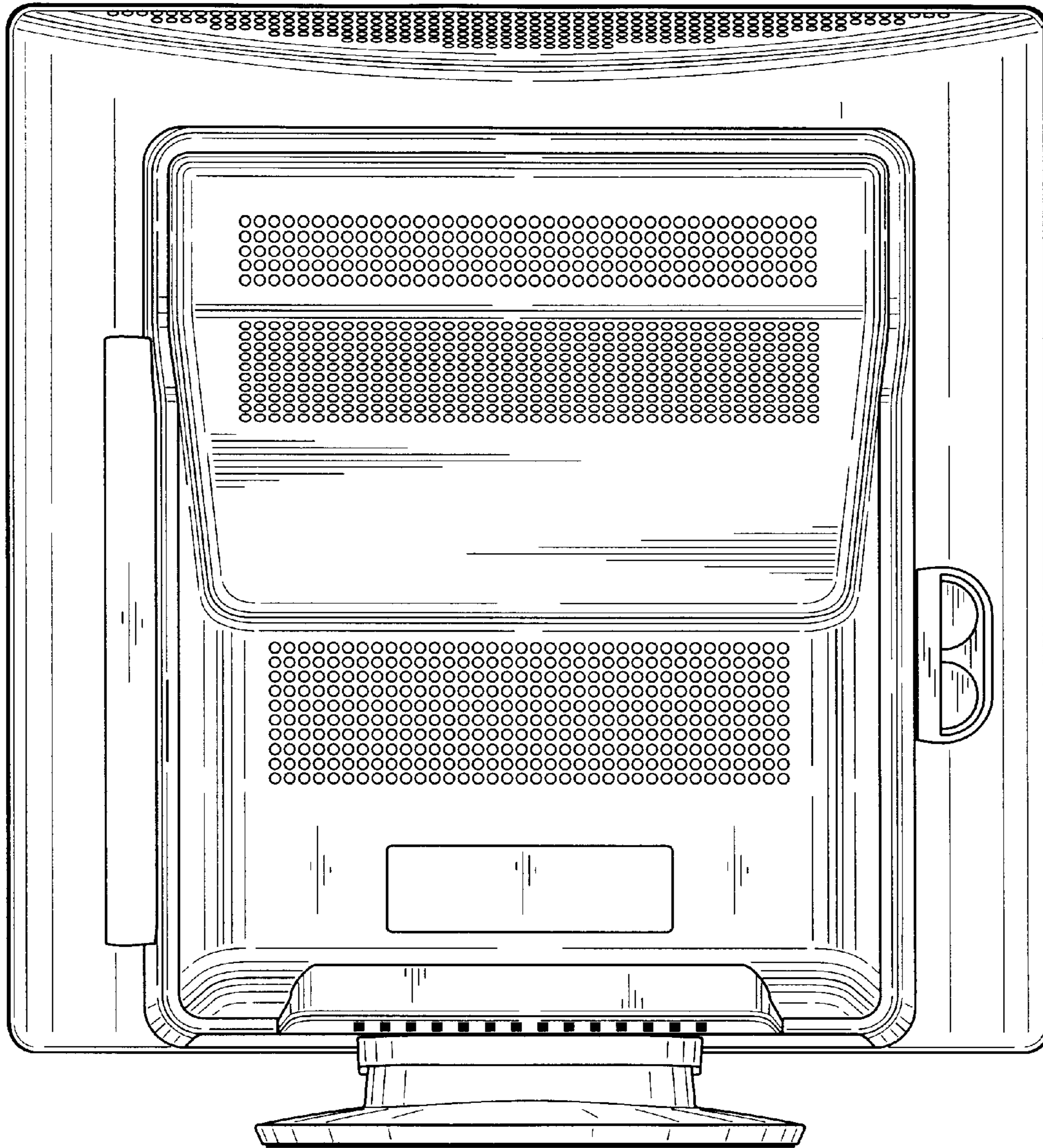


FIG. 3

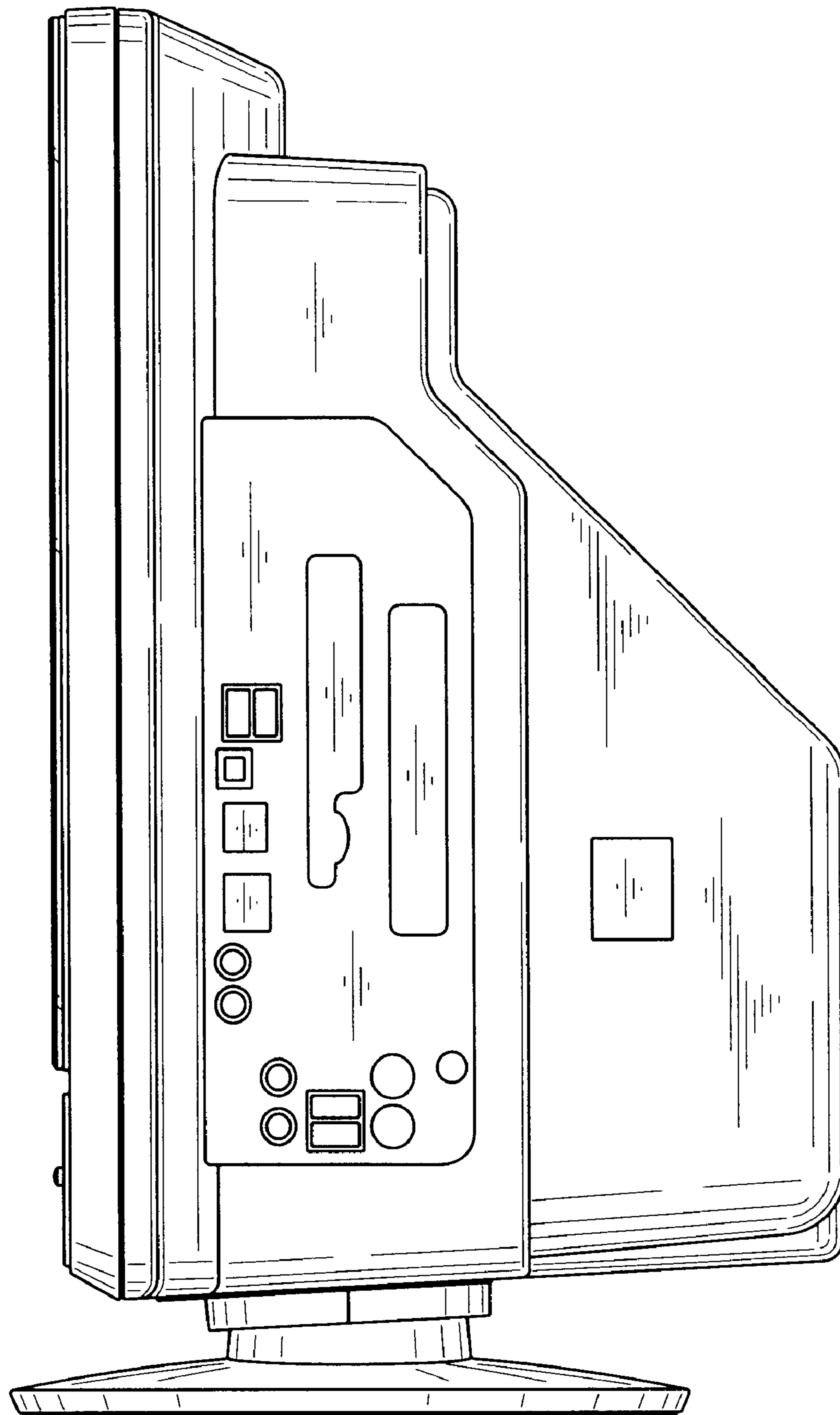


FIG. 4

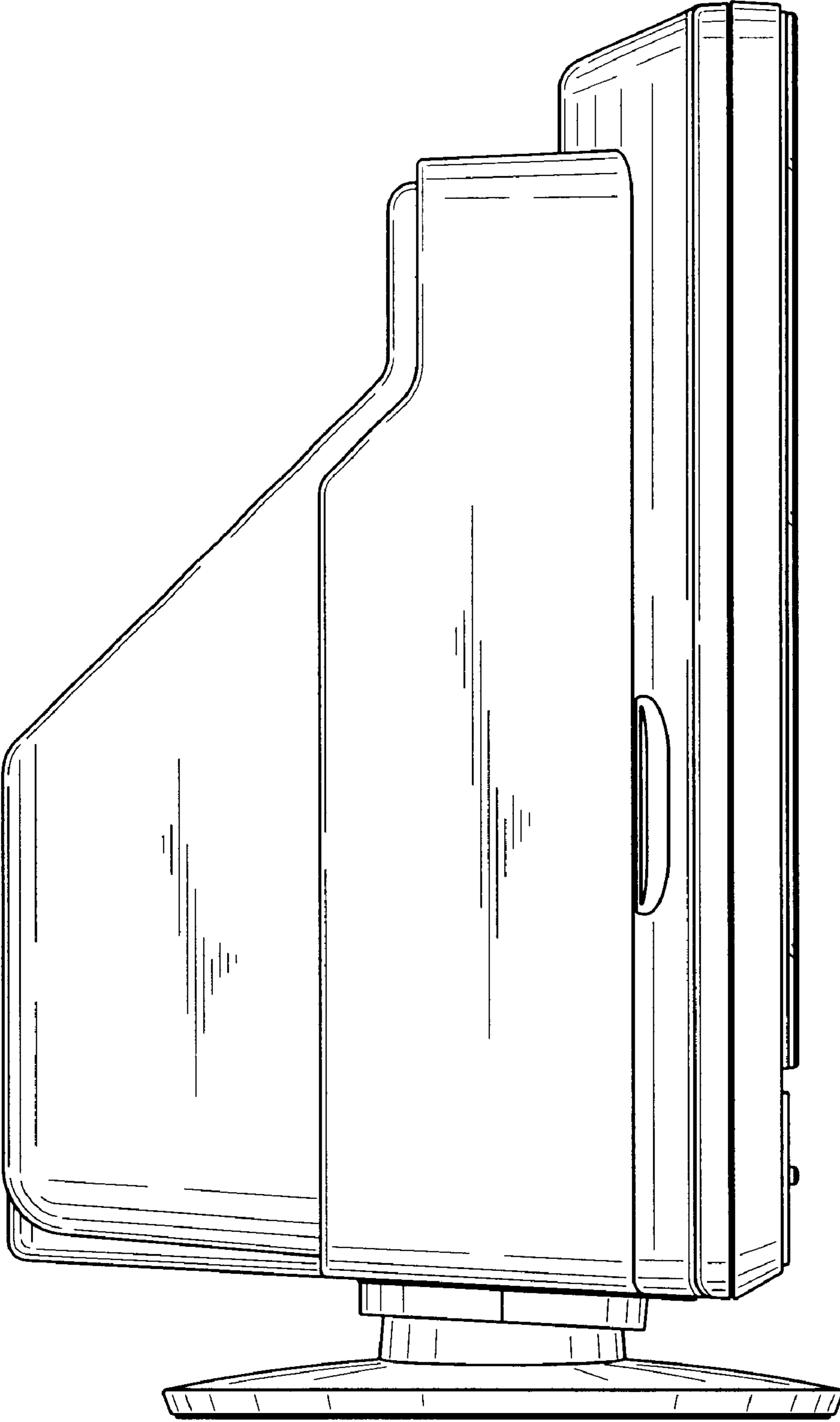


FIG. 5

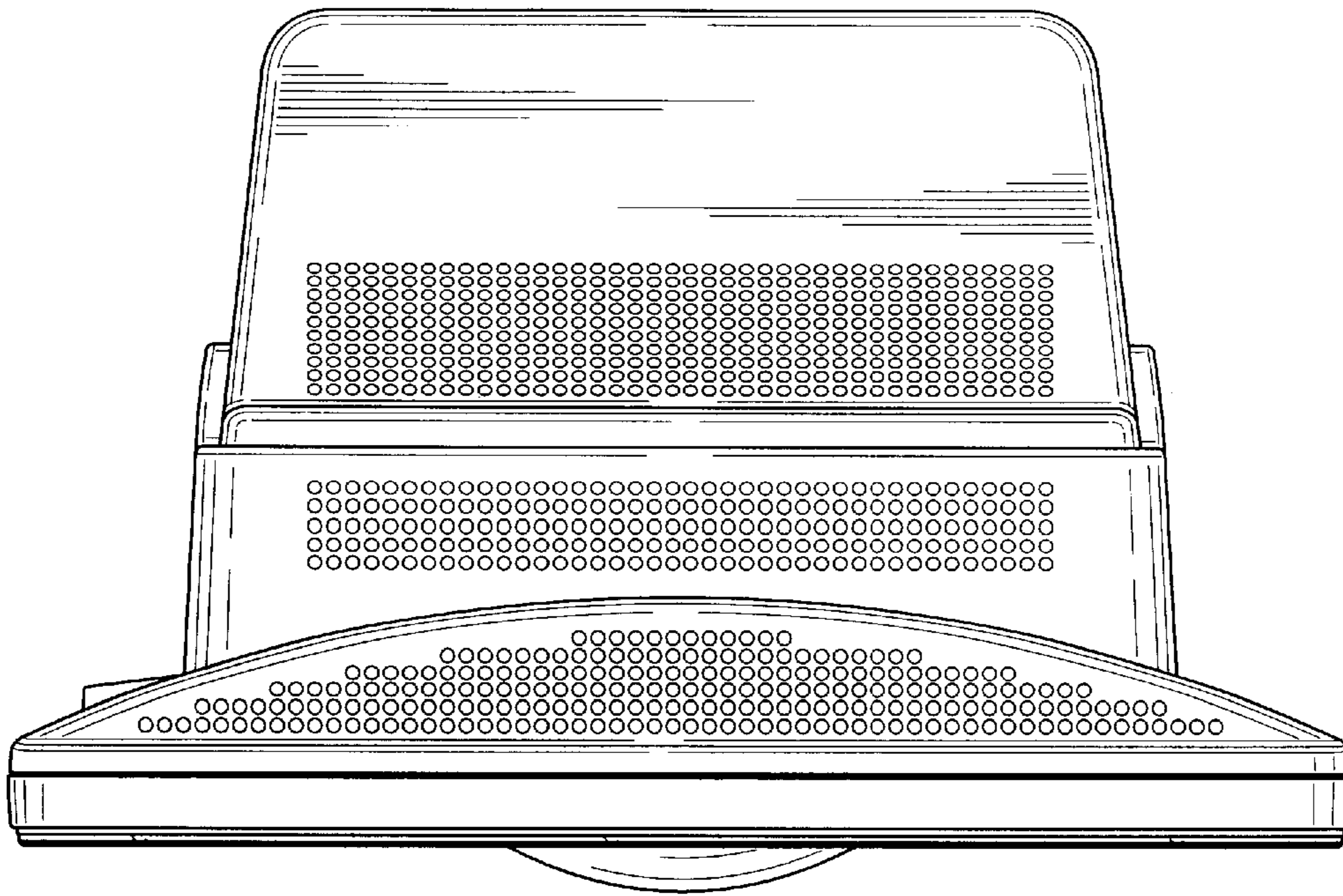


FIG. 6

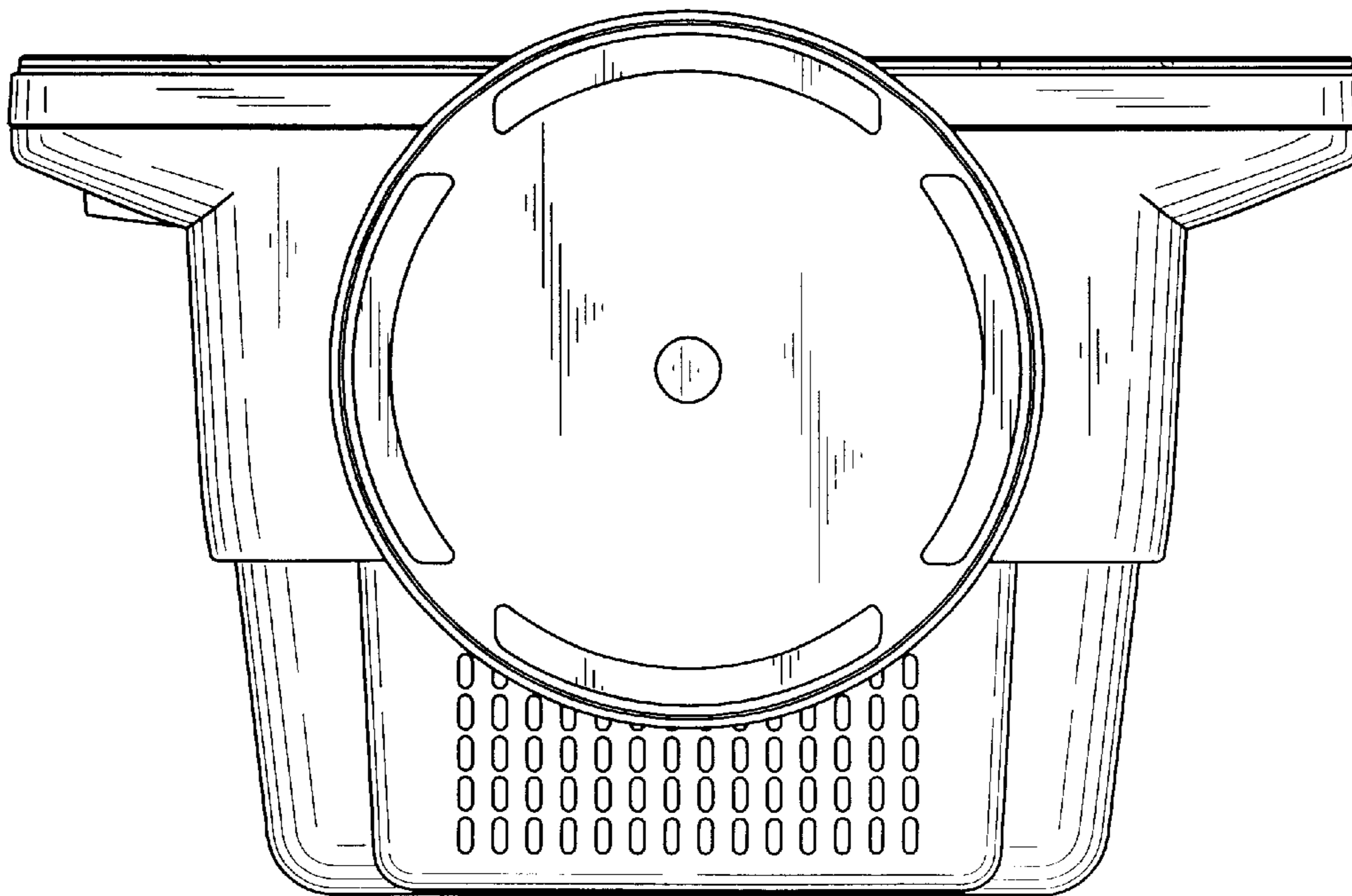


FIG. 7

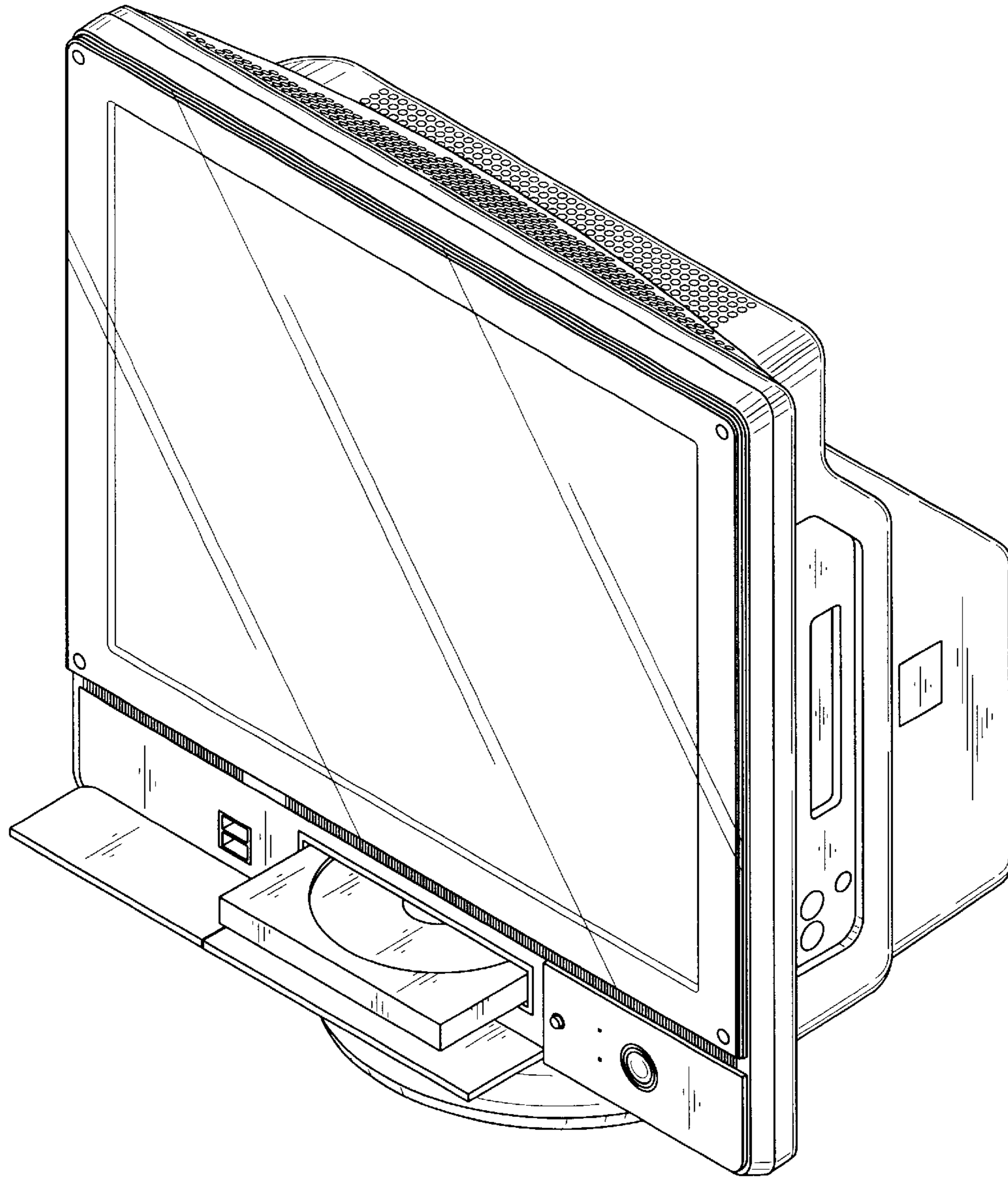


FIG. 8