



US00D522499S

(12) **United States Design Patent**
Marcichow et al.

(10) **Patent No.:** **US D522,499 S**
(45) **Date of Patent:** **** Jun. 6, 2006**

(54) **MICROPHONE SENSOR**
(75) Inventors: **Martin E. Marcichow**, Hoffman Estates, IL (US); **Gregory C. Perna**, Las Vegas, NV (US)

D308,647 S * 6/1990 Mayo D10/104
D348,621 S * 7/1994 Blake D10/104
D398,733 S * 9/1998 Diviak, Sr. D99/5
D399,154 S * 10/1998 Proctor et al. D10/104
D442,932 S * 5/2001 Koike D14/155
D481,709 S * 11/2003 Solderits D14/228

(73) Assignees: **Sloan Valve Company**, Franklin Park, IL (US); **Wynn Design & Development LLC**, Las Vegas, NV (US)

* cited by examiner

(**) Term: **14 Years**

Primary Examiner—Paula A. Greene
(74) *Attorney, Agent, or Firm*—Cook, Alex, McFarron, Manzo, Cummings & Mehler, Ltd.

(21) Appl. No.: **29/221,060**

(22) Filed: **Jan. 11, 2005**

(57) **CLAIM**

The ornamental design for a microphone sensor, as shown and described.

(51) **LOC (8) Cl.** **14-01**
(52) **U.S. Cl.** **D14/225**
(58) **Field of Classification Search** D14/225,
D14/226, 227, 228, 188, 192, 155, 240; D9/552,
D9/556; D10/104; 359/504; 181/158, 242;
381/111, 122, 174, 355, 369; D99/5; 27/1;
D16/130, 134, 136; 251/129.04; 250/221;
4/623

DESCRIPTION

FIG. 1 is a perspective view of our new design for a microphone sensor;
FIG. 2 is a front elevation view thereof;
FIG. 3 is a rear elevation view thereof;
FIG. 4 is a left side elevation view thereof;
FIG. 5 is a right side elevation view thereof;
FIG. 6 is a top plan view thereof; and,
FIG. 7 is a bottom plan view thereof.

See application file for complete search history.

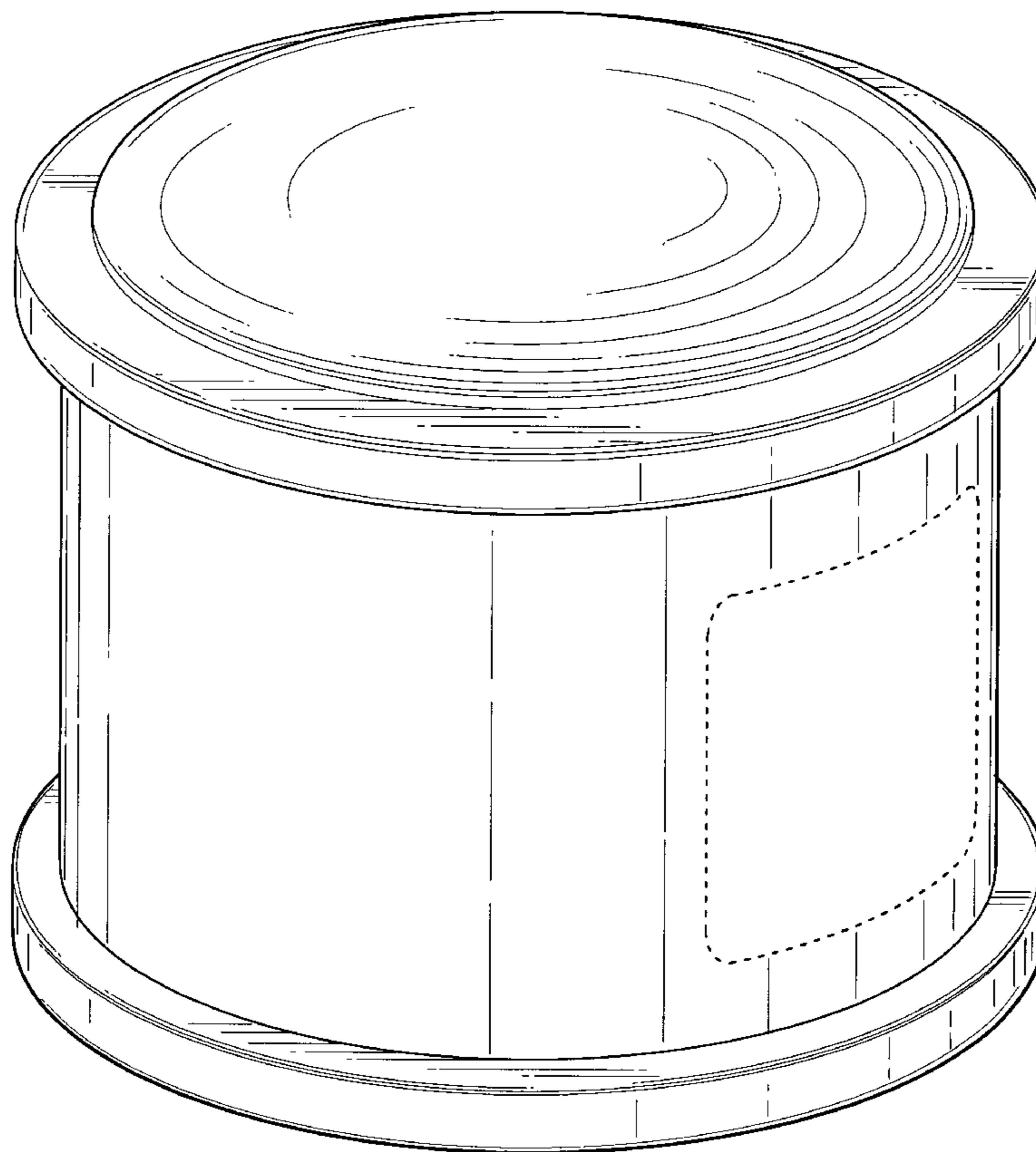
The broken lines are for illustrative purposes only and forms no part of the claimed design.

(56) **References Cited**

U.S. PATENT DOCUMENTS

4,269,474 A * 5/1981 Kamimura 359/504

1 Claim, 2 Drawing Sheets



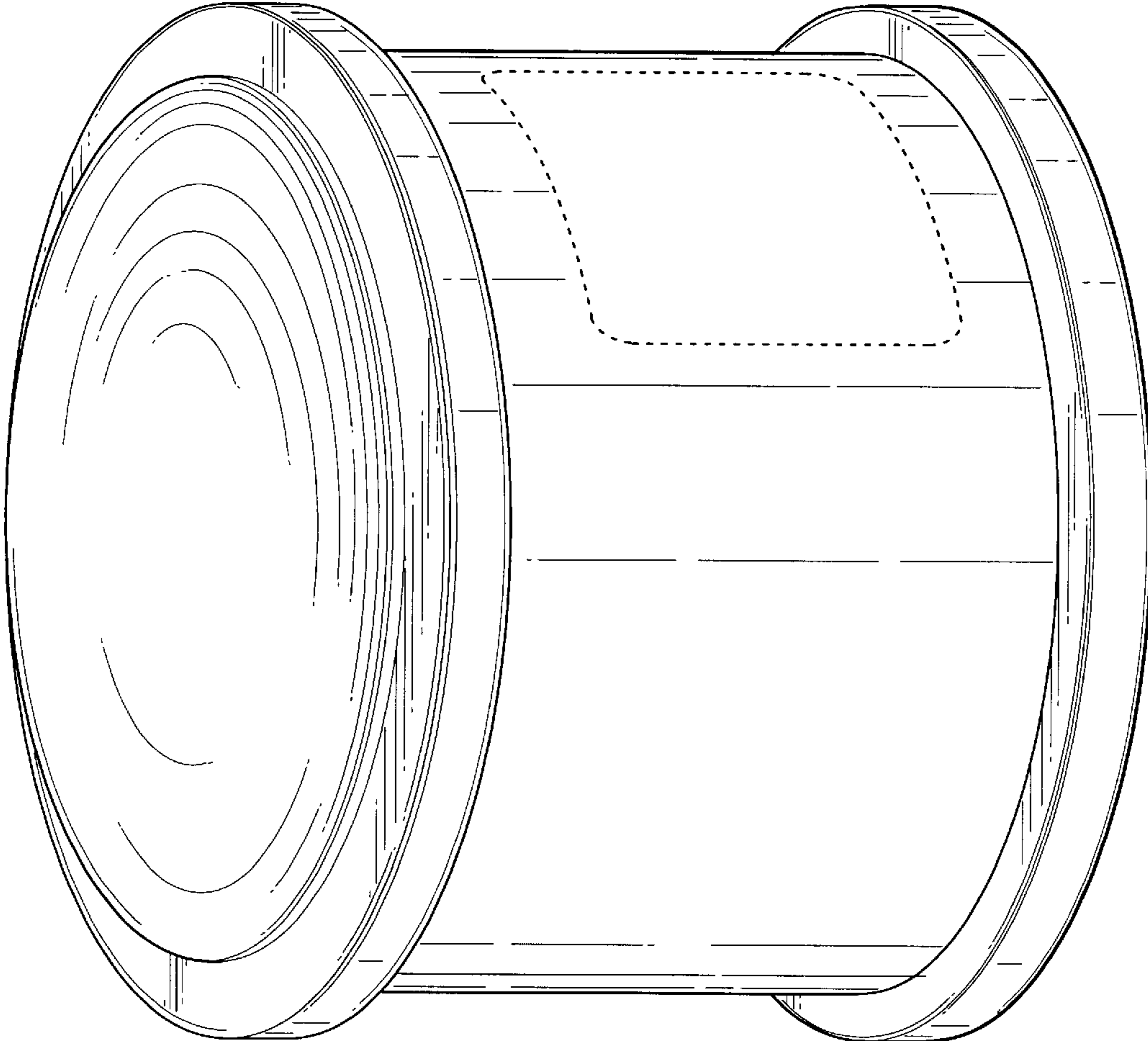


Fig. 1

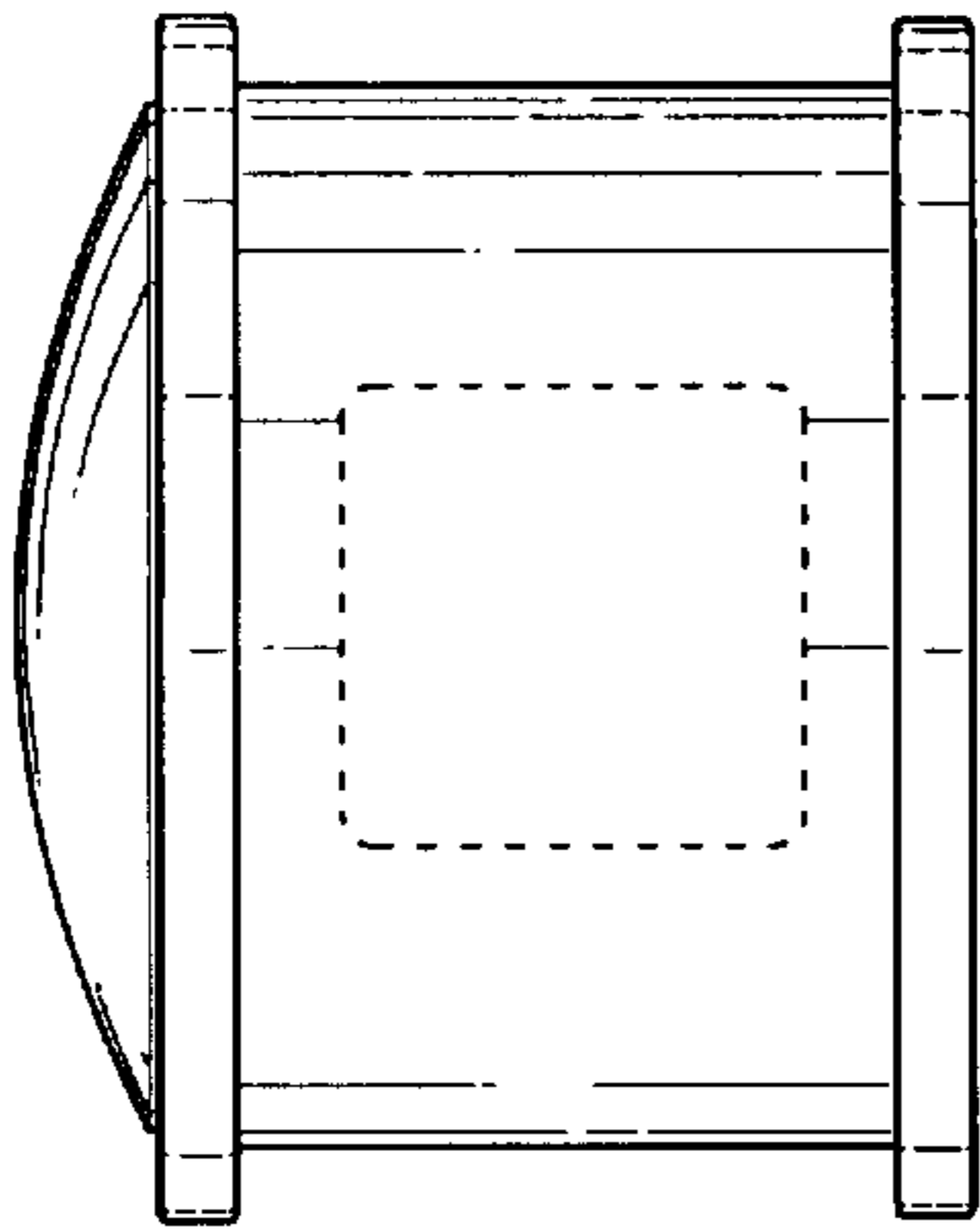


Fig. 2

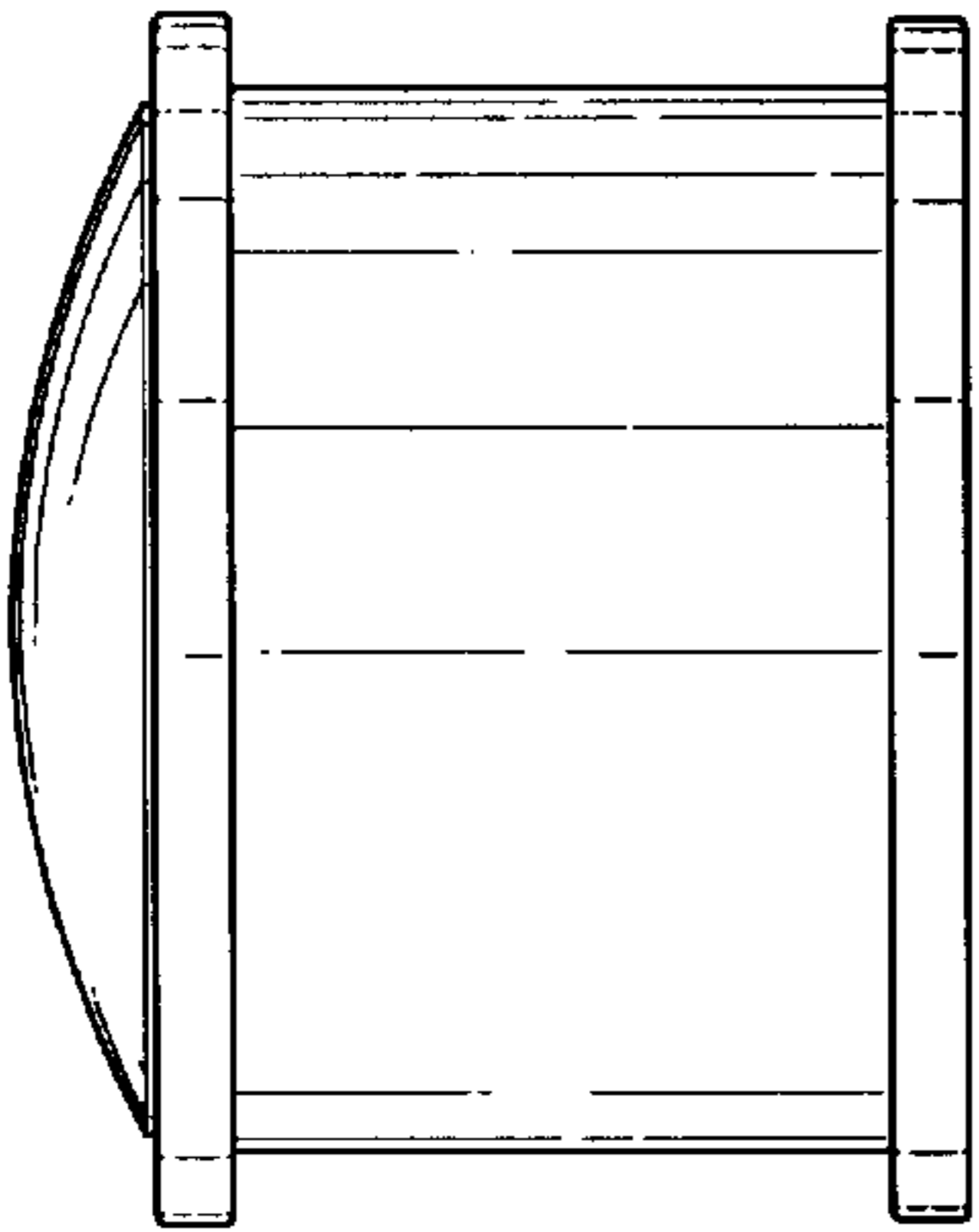


Fig. 3

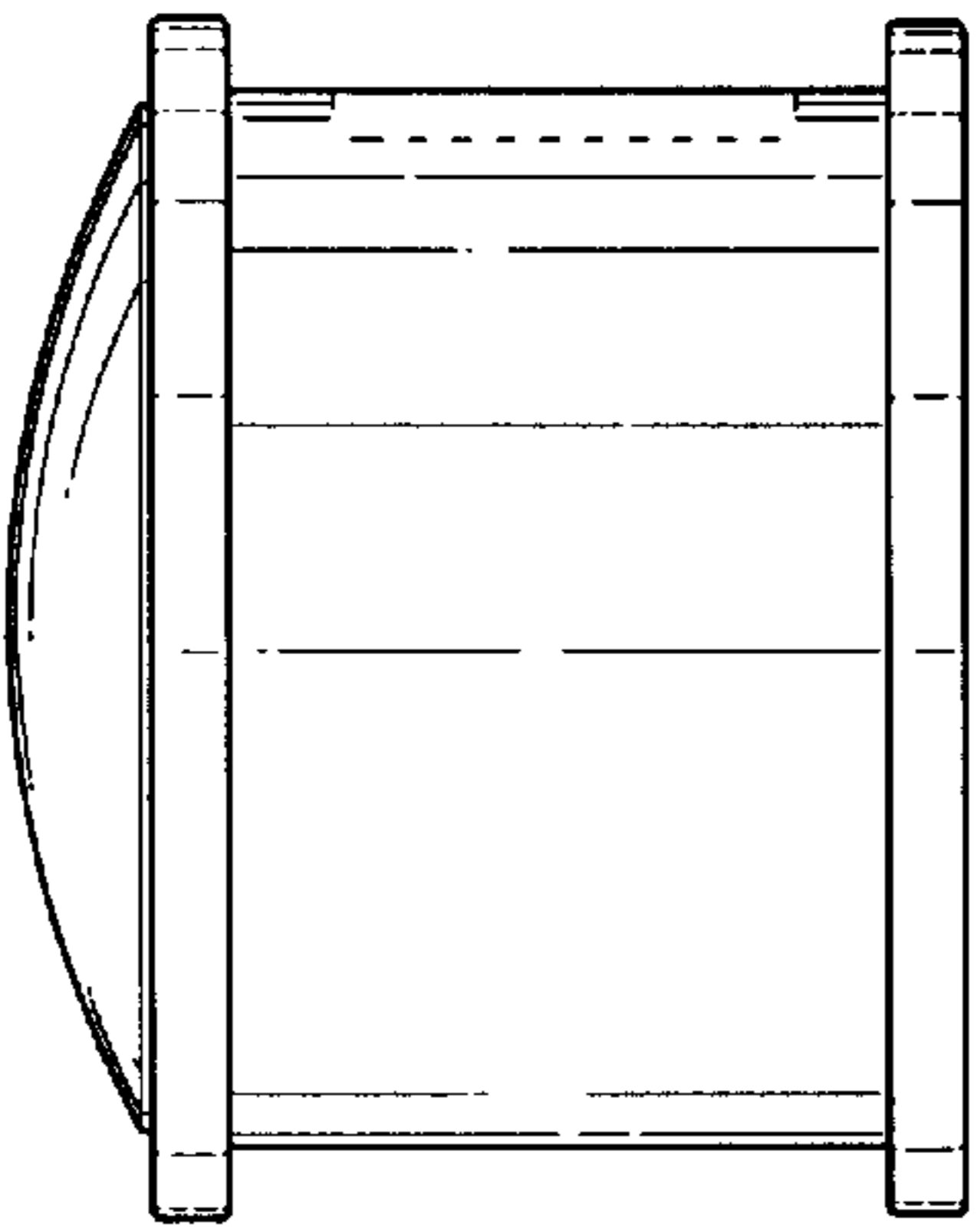


Fig. 4

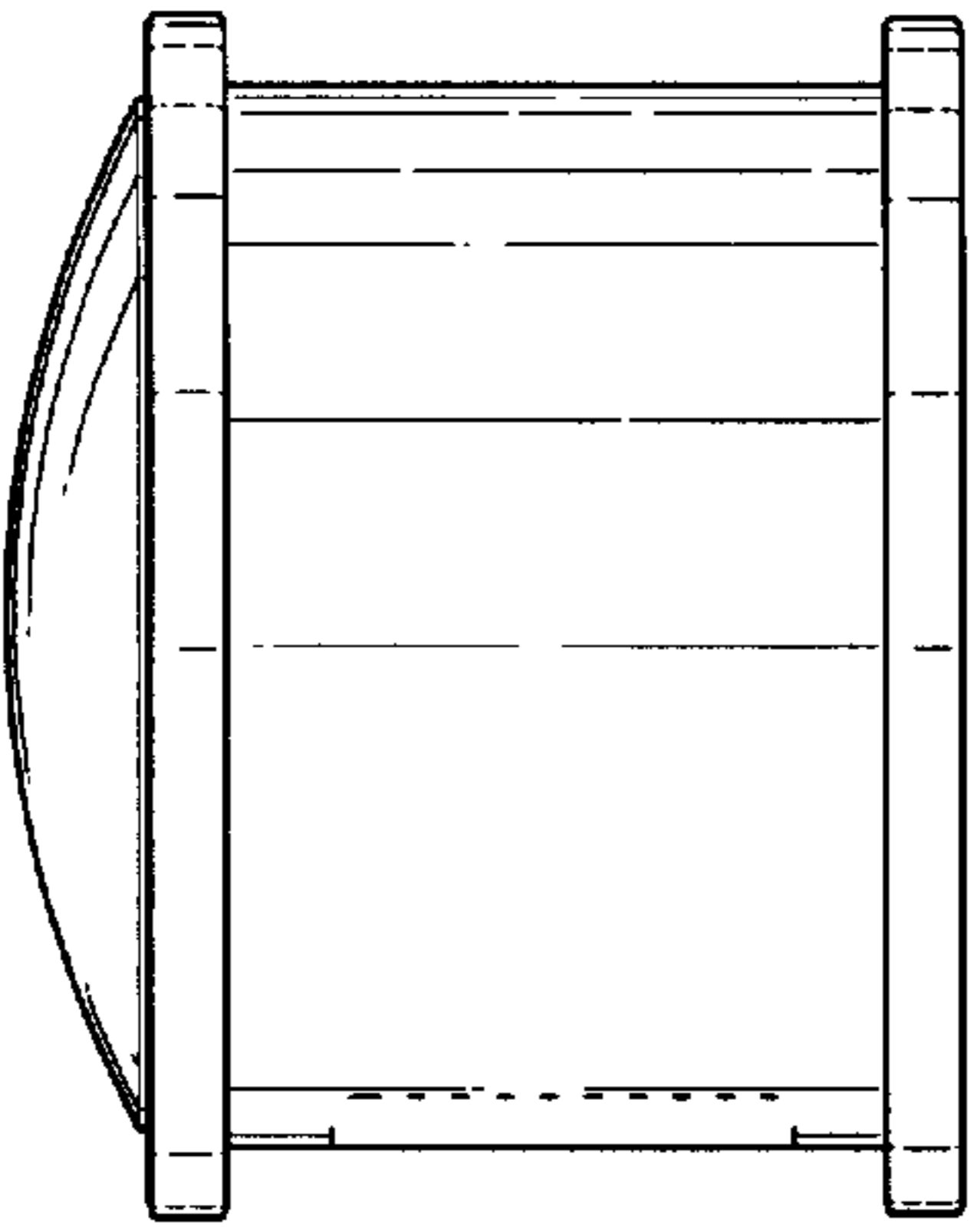


Fig. 5

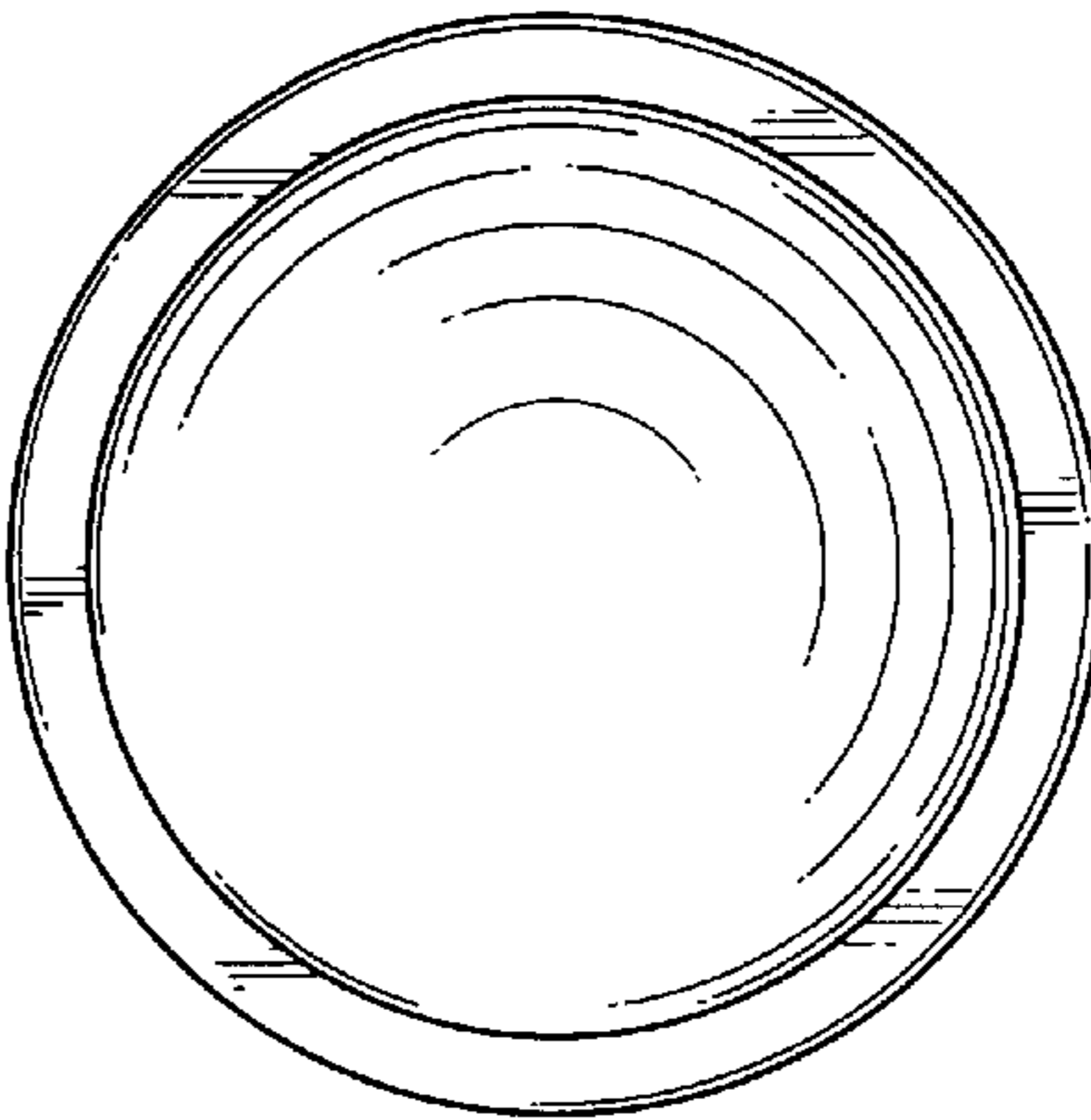


Fig. 6

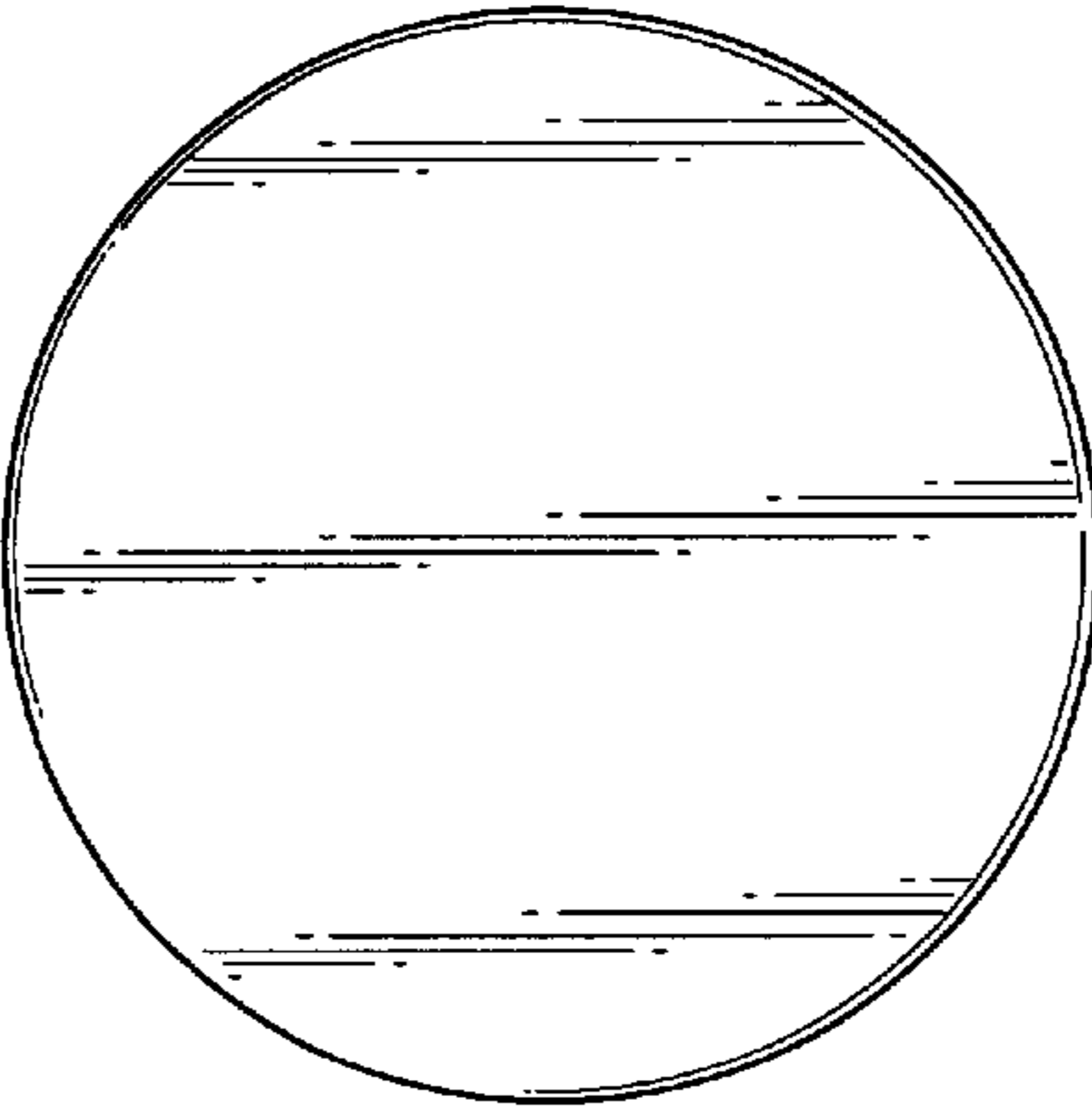


Fig. 7