



US00D522498S

(12) **United States Design Patent**
Tanaka et al.

(10) **Patent No.:** **US D522,498 S**

(45) **Date of Patent:** **** Jun. 6, 2006**

(54) **SPEAKER**

D432,118 S * 10/2000 Honnert D14/216
6,457,547 B1 * 10/2002 Novitschitsch 181/150
6,814,181 B1 * 11/2004 Abe et al. 181/157

(75) Inventors: **Hidekazu Tanaka**, Kadoma (JP);
Andrew Tan C. K., Singapore (SG)

* cited by examiner

(73) Assignee: **Matsushita Electric Industrial Co., Ltd.**, Osaka (JP)

Primary Examiner—Nanda Bondade
(74) *Attorney, Agent, or Firm*—Brinks Hofer Gilson & Lione

(**) Term: **14 Years**

(21) Appl. No.: **29/223,487**

(57) **CLAIM**

(22) Filed: **Feb. 15, 2005**

We claim the ornamental design for a speaker, as shown and described.

(30) **Foreign Application Priority Data**

Aug. 17, 2004 (JP) 2004-024516

DESCRIPTION

(51) **LOC (8) Cl.** **14-01**

FIG. 1 is a top perspective view of a speaker of the present invention;

(52) **U.S. Cl.** **D14/221**

FIG. 2 is a top view thereof;

(58) **Field of Classification Search** D14/204,
D14/207, 209–216, 356; 181/143–144, 147–148,
181/150, 157, 198–199, 151, 153; 381/300–302,
381/306, 333, 345, 361–364, 386–388, 332,
381/336

FIG. 3 is a bottom view thereof;

FIG. 4 is a first side view thereof;

See application file for complete search history.

FIG. 5 is a second side view thereof;

FIG. 6 is a third side view thereof; and,

FIG. 7 is a fourth side view thereof.

(56) **References Cited**

U.S. PATENT DOCUMENTS

D419,561 S * 1/2000 Haase et al. D14/216

1 Claim, 4 Drawing Sheets

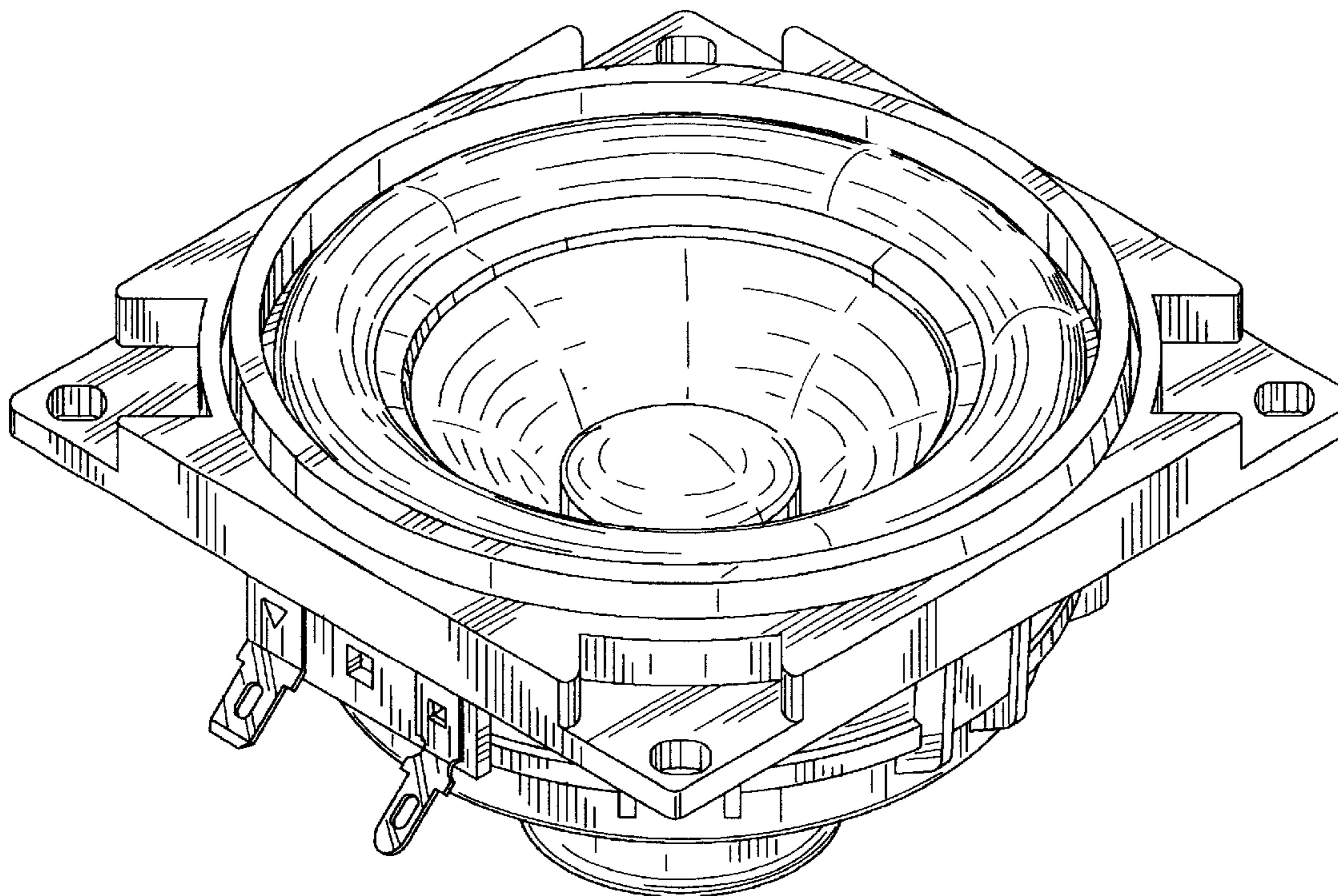


FIG.1

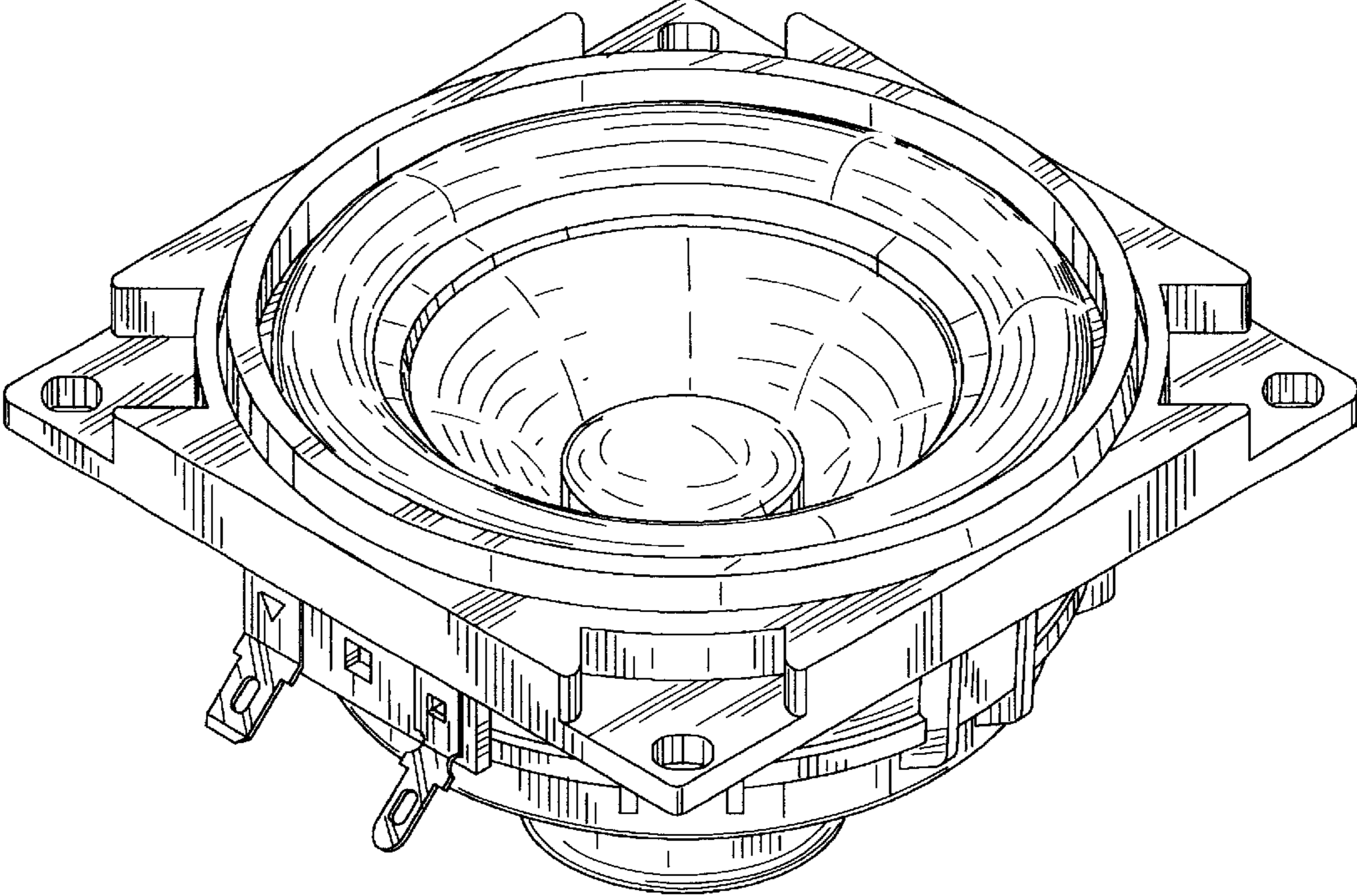


FIG.2

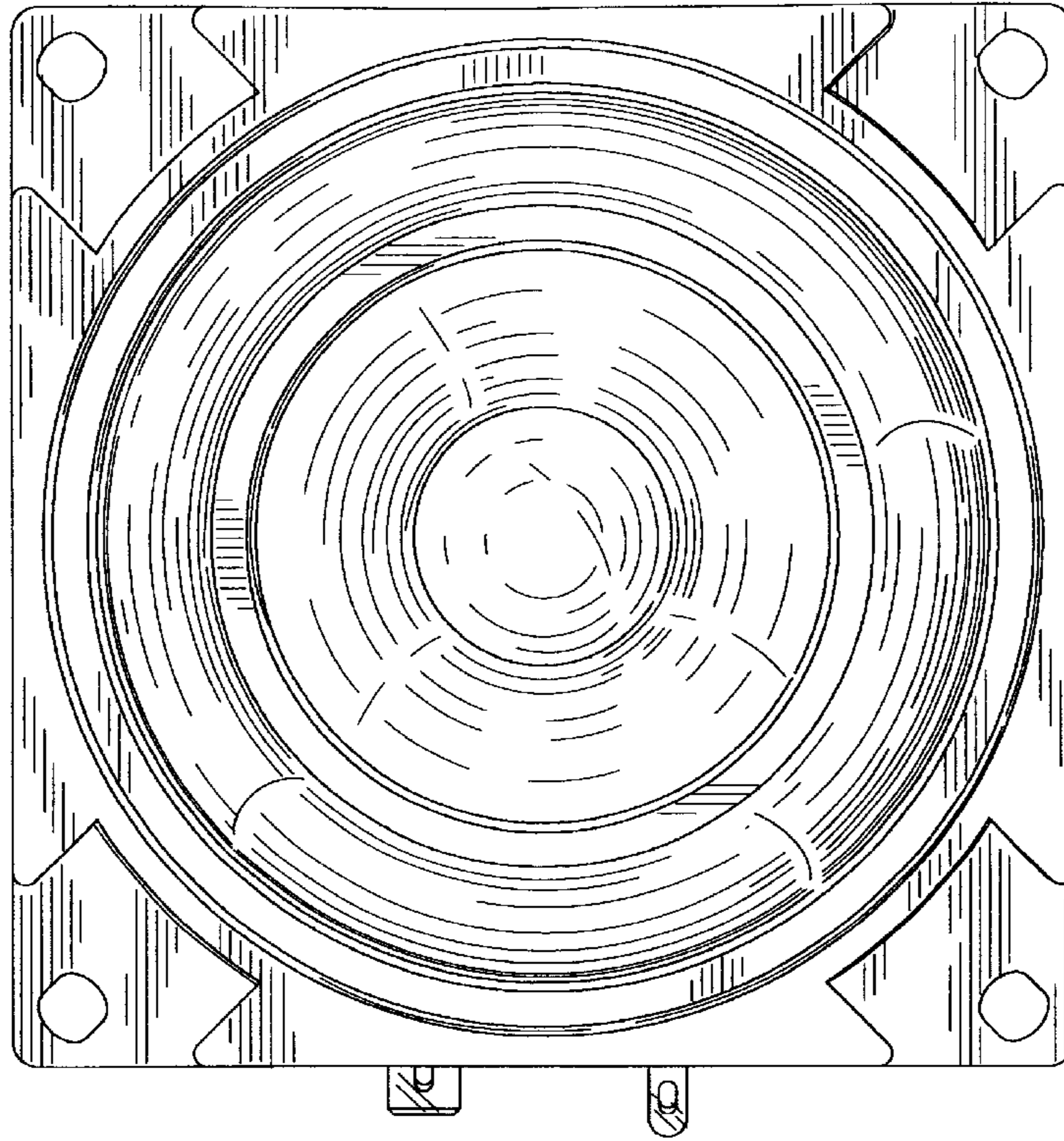


FIG.3

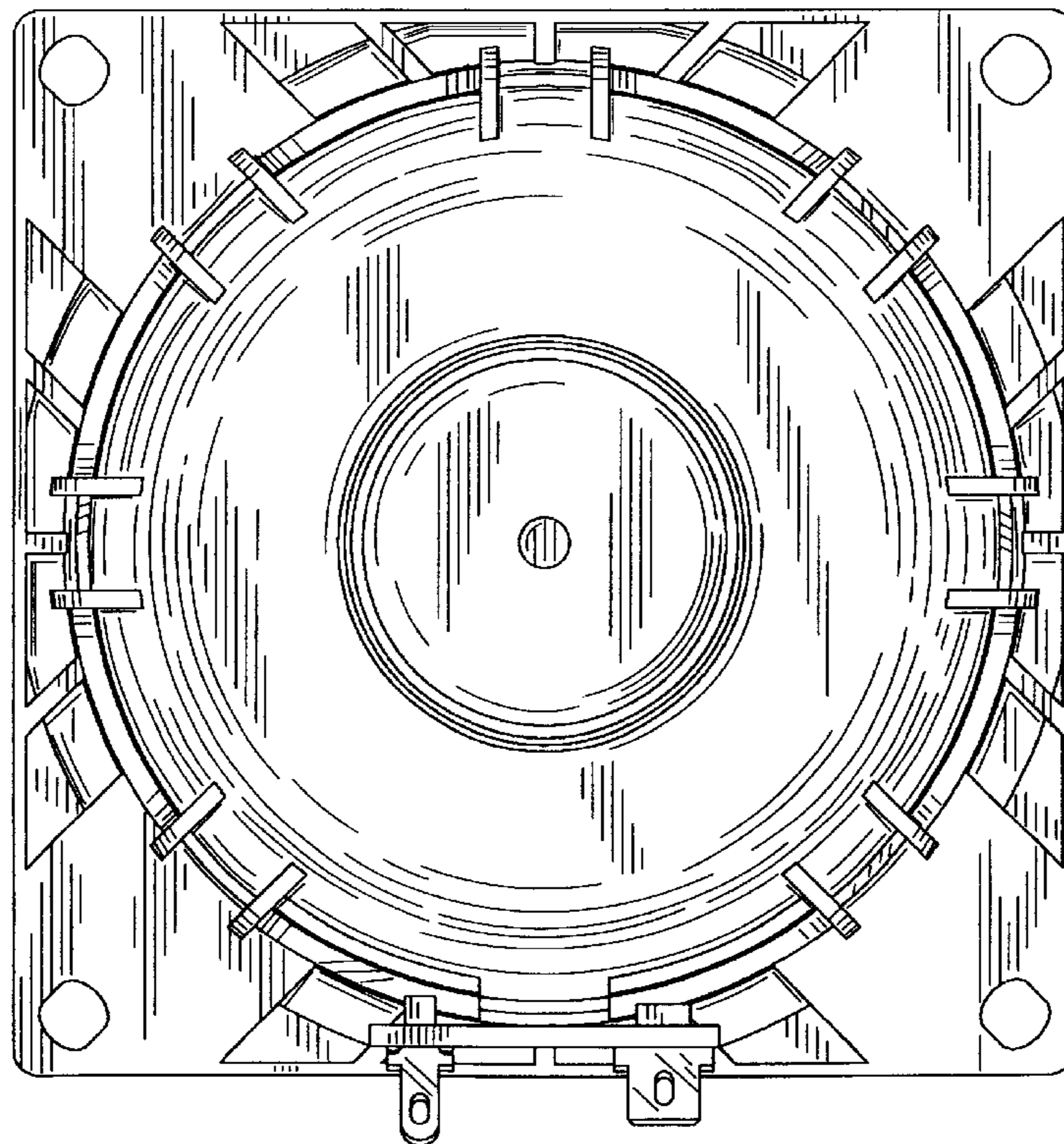


FIG.4

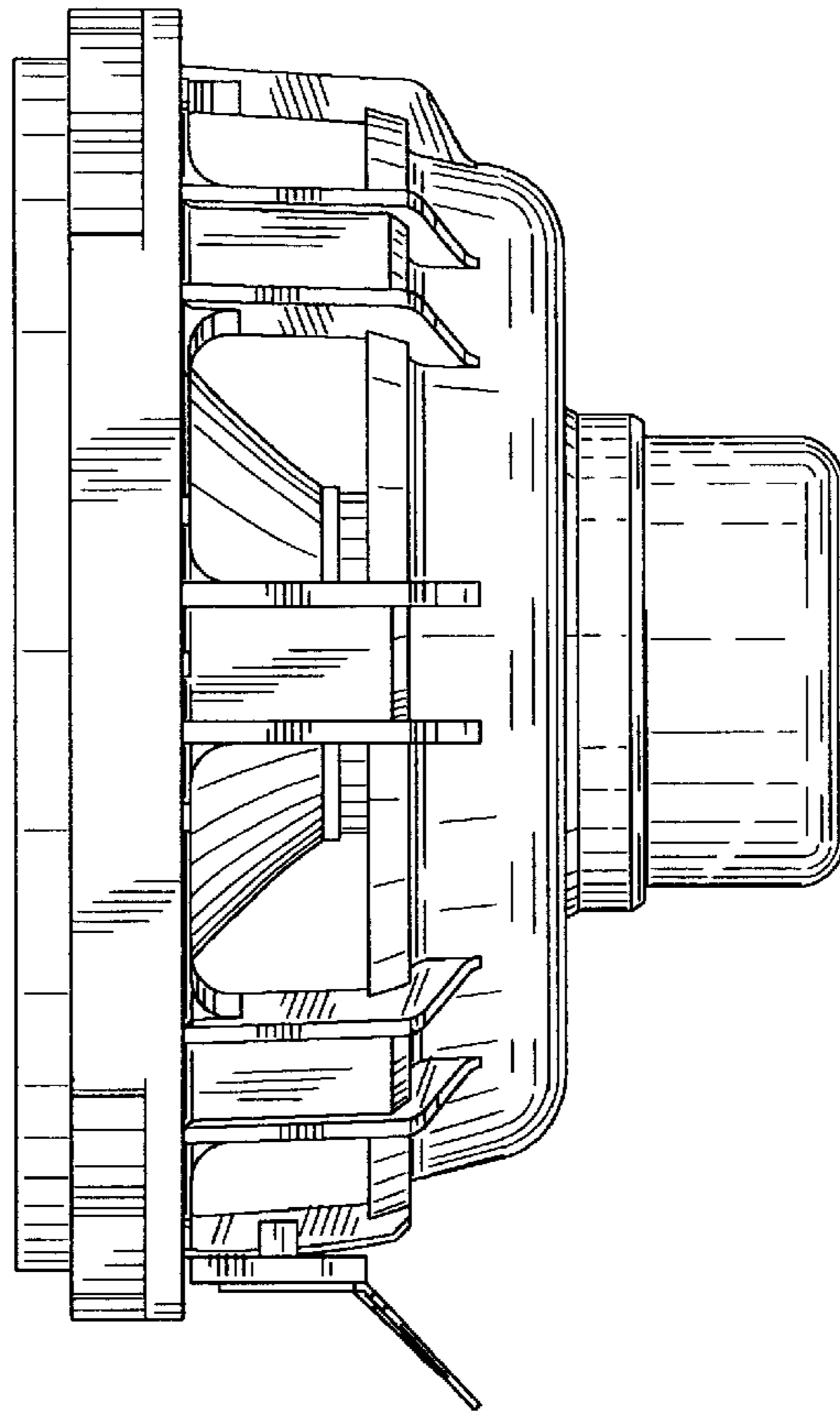


FIG.5

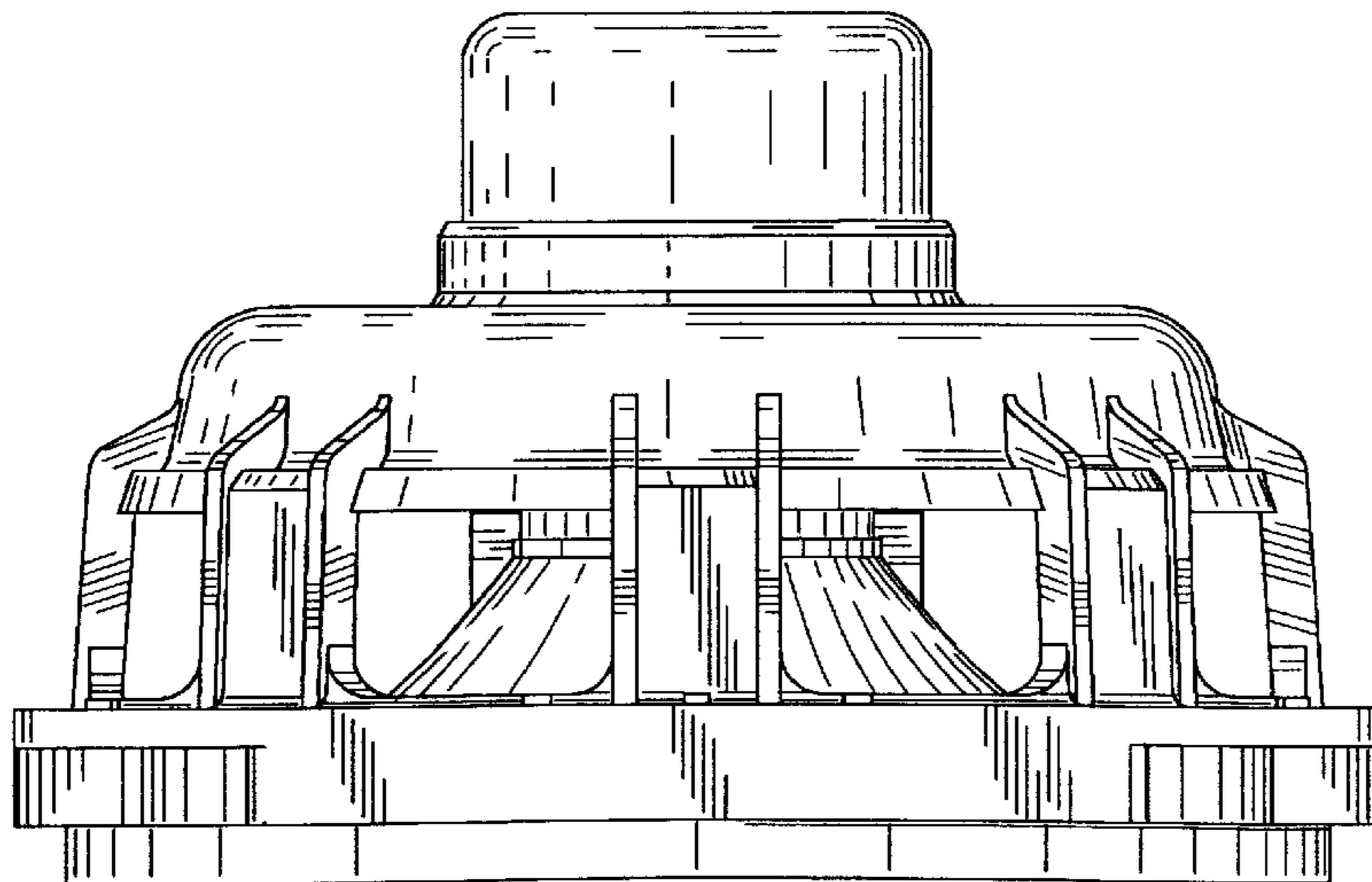


FIG.6

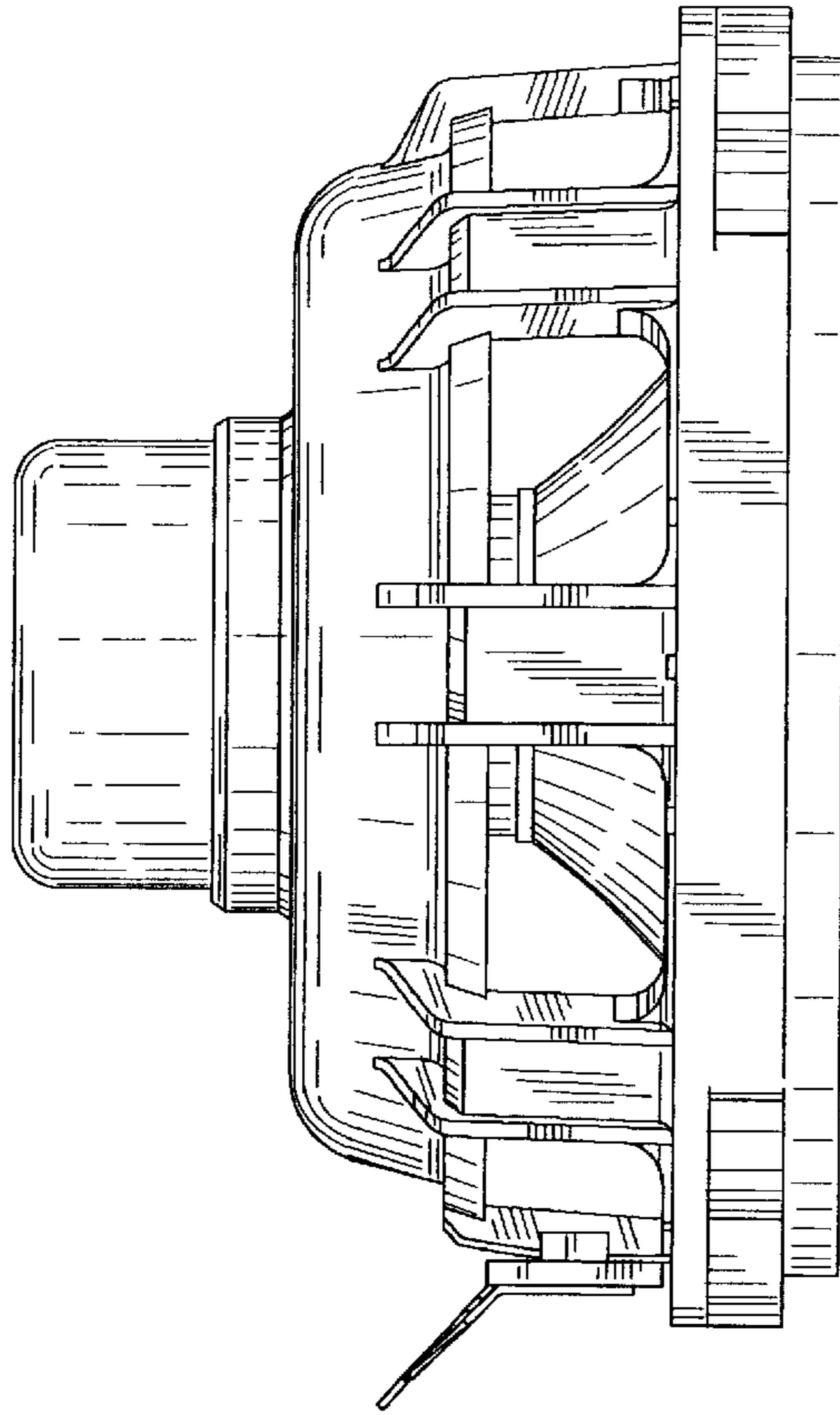


FIG.7

