



US00D522494S

(12) **United States Design Patent**
Tyneski et al.

(10) **Patent No.:** **US D522,494 S**

(45) **Date of Patent:** **** Jun. 6, 2006**

(54) **SPEAKER**

(75) Inventors: **Frank Tyneski**, Kitchener (CA);
Roman P. Rak, Waterloo (CA)

(73) Assignee: **Research In Motion Limited**, Ontario
(CA)

(**) Term: **14 Years**

(21) Appl. No.: **29/223,959**

(22) Filed: **Feb. 23, 2005**

(51) **LOC (8) Cl.** **14-01**

(52) **U.S. Cl.** **D14/216**

(58) **Field of Classification Search** D14/204,
D14/207, 209–216, 356, 192; 181/143–144,
181/147–148, 150, 157, 198–199, 151, 153;
381/300–302, 306, 333, 345, 361–364, 386–388,
381/332, 336

See application file for complete search history.

(56) **References Cited**

U.S. PATENT DOCUMENTS

D349,499 S * 8/1994 Collins D14/216

D436,096 S * 1/2001 Nagele et al. D14/214
D485,825 S * 1/2004 Yoneda D14/215
D487,083 S * 2/2004 Asahina et al. D14/216
D498,471 S * 11/2004 Solland et al. D14/215

* cited by examiner

Primary Examiner—Nanda Bondade

(74) *Attorney, Agent, or Firm*—Brij K. Agarwal; Eckert
Seamans Cherin & Mellott, LLC

(57) **CLAIM**

The ornamental design for a speaker, as shown and
described.

DESCRIPTION

FIG. 1 is a perspective view of a speaker depicting our new
design;

FIG. 2 is a front elevational view thereof;

FIG. 3 is a top plan view thereof;

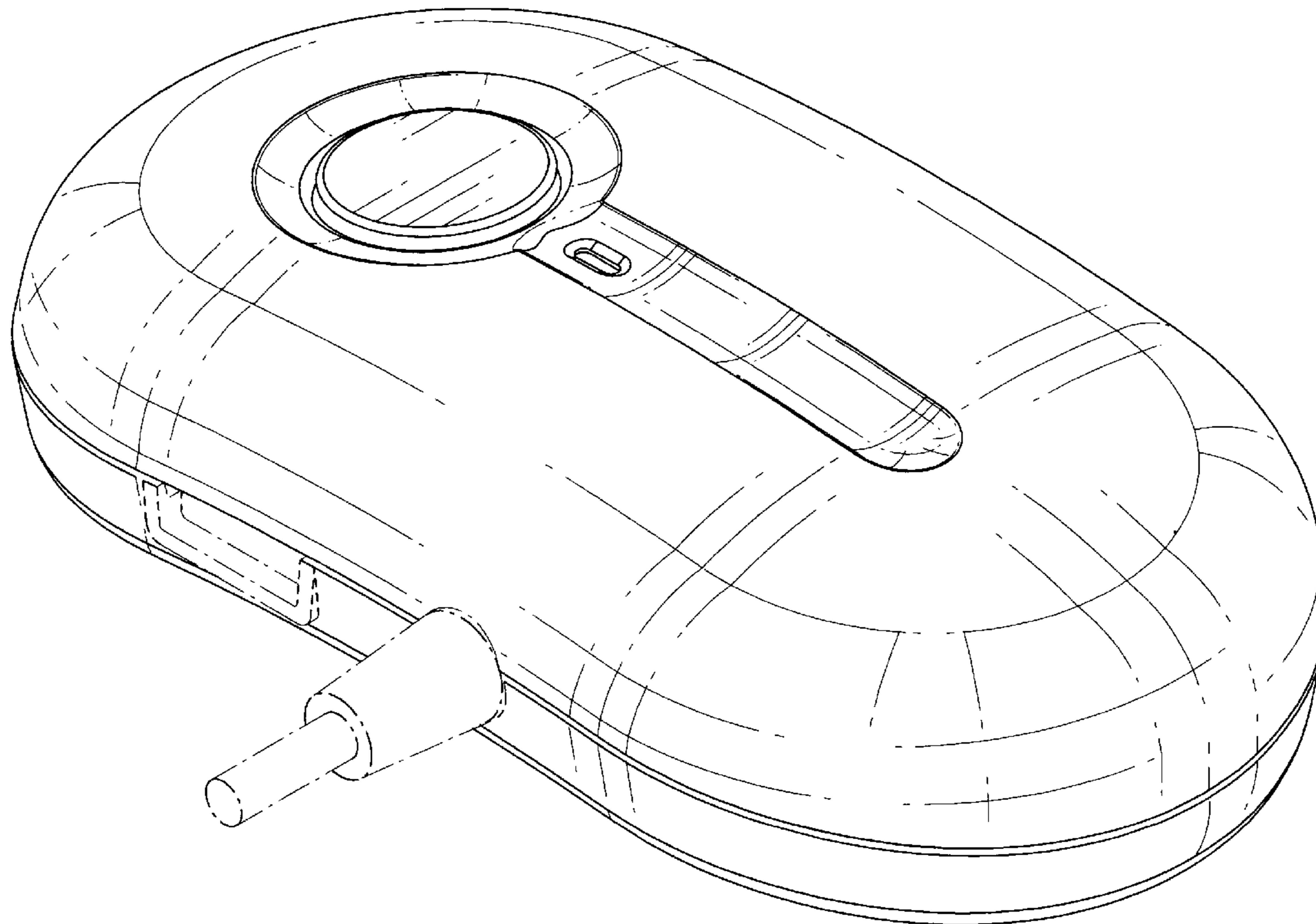
FIG. 4 is a bottom plan view thereof;

FIG. 5 is a right side elevational view thereof; and,

FIG. 6 is a left side elevational view thereof.

The broken lines shown in the drawings are for illustrative
purposes only and form no part of the claimed design.

1 Claim, 4 Drawing Sheets



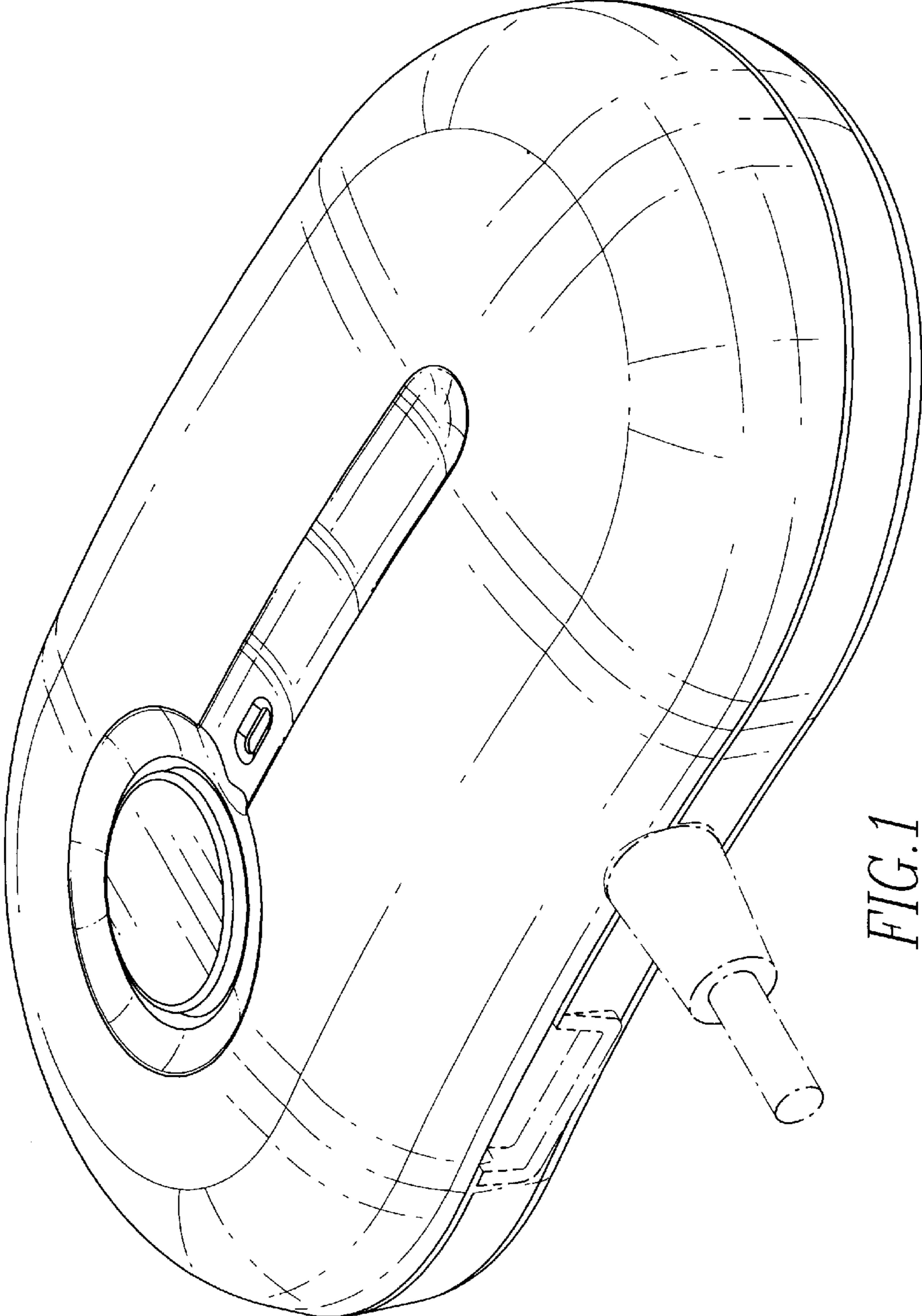


FIG. 1

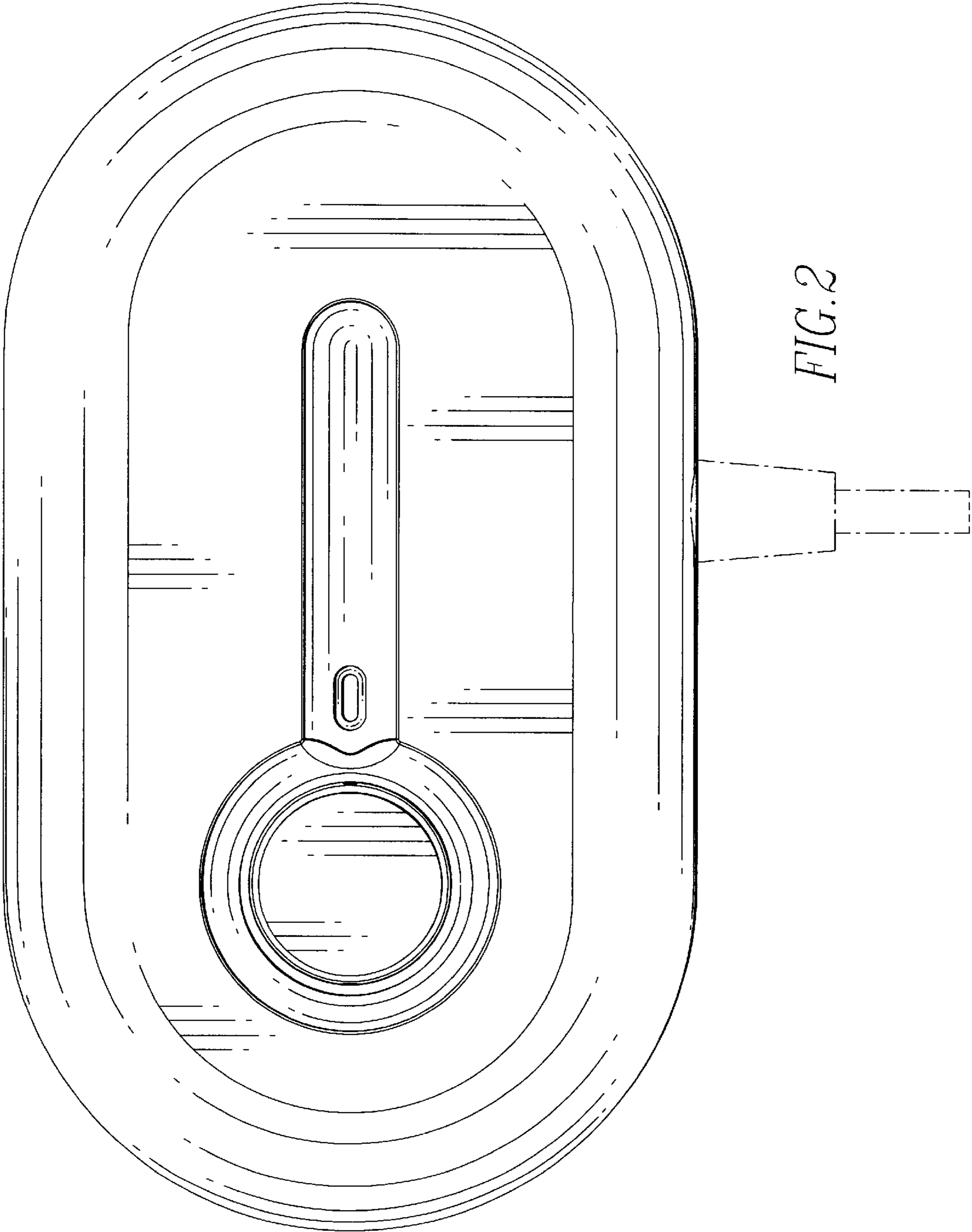


FIG. 2

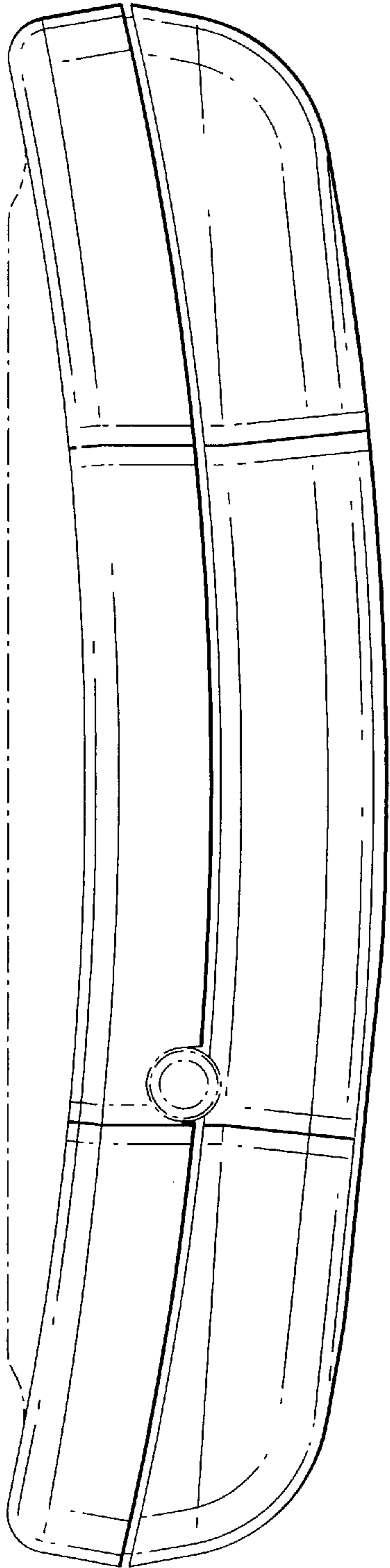


FIG. 3

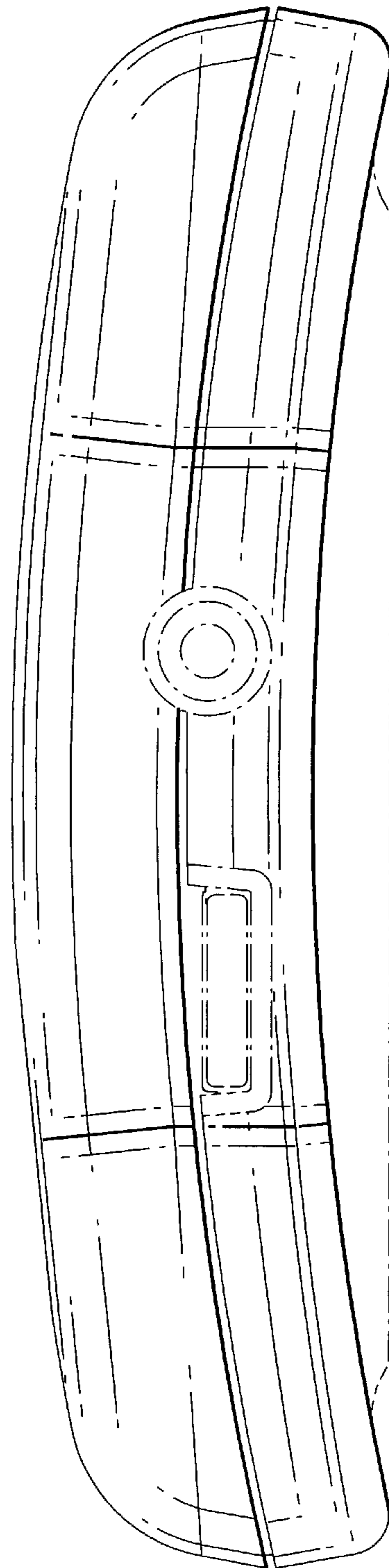


FIG. 4

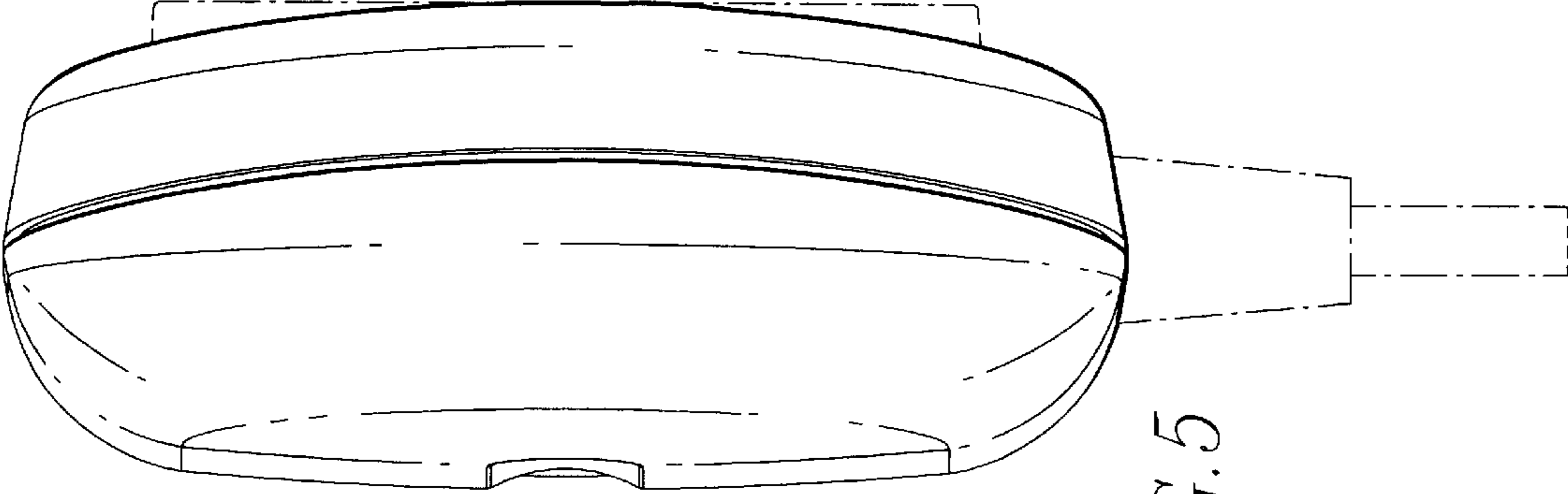


FIG. 5

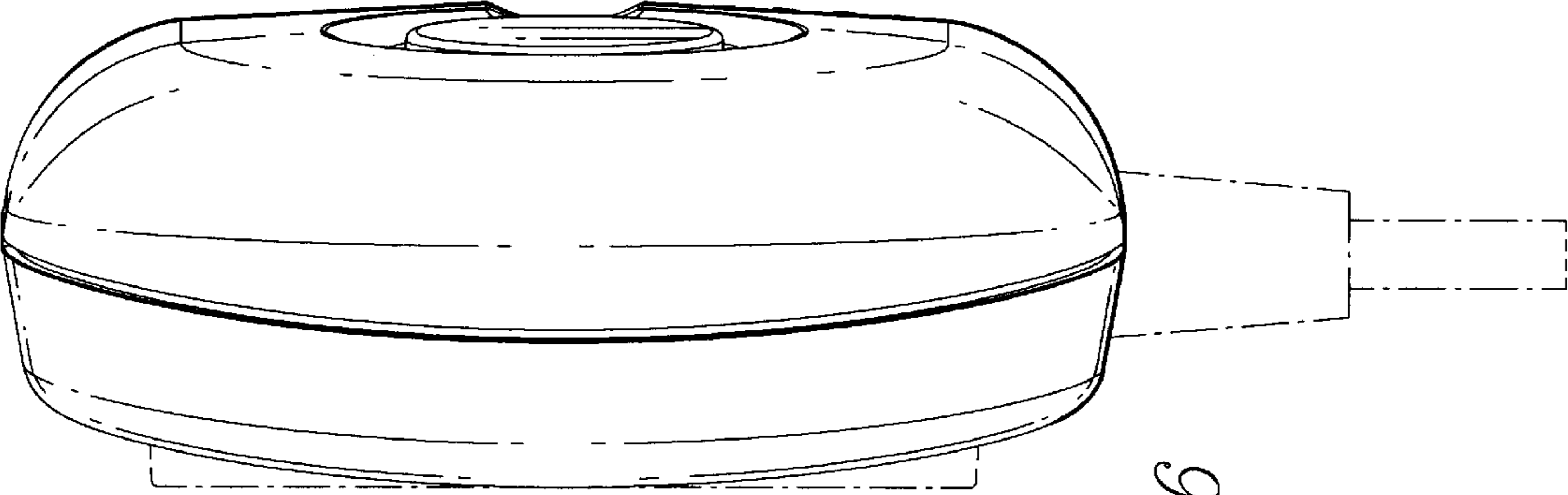


FIG. 6