

US00D522492S

(12) **United States Design Patent**
Carbone

(10) **Patent No.:** **US D522,492 S**

(45) **Date of Patent:** **** Jun. 6, 2006**

(54) **LINEAR ARRAY LOUDSPEAKER**
(75) Inventor: **Richard J Carbone**, Sterling, MA (US)
(73) Assignee: **Bose Corporation**, Framingham, MA (US)

(**) Term: **14 Years**

(21) Appl. No.: **29/185,576**

(22) Filed: **Jun. 30, 2003**

(51) **LOC (8) Cl.** **14-01**

(52) **U.S. Cl.** **D14/211**

(58) **Field of Classification Search** D14/204,
D14/207, 209–216, 356; 181/143–144, 147–148,
181/150, 157, 198–199, 151, 153; 381/300–302,
381/306, 333, 345, 361–364, 386–388, 332,
381/336

See application file for complete search history.

(56) **References Cited**

U.S. PATENT DOCUMENTS

D326,969 S * 6/1992 Eason et al. D14/224

D426,540 S * 6/2000 Tejima D14/224
D434,026 S * 11/2000 Lewis D14/216
D471,891 S * 3/2003 Oikawa D14/211
D475,991 S * 6/2003 Hisatsune D14/211

* cited by examiner

Primary Examiner—Nanda Bondade

(74) *Attorney, Agent, or Firm*—Fish & Richardson P.C.

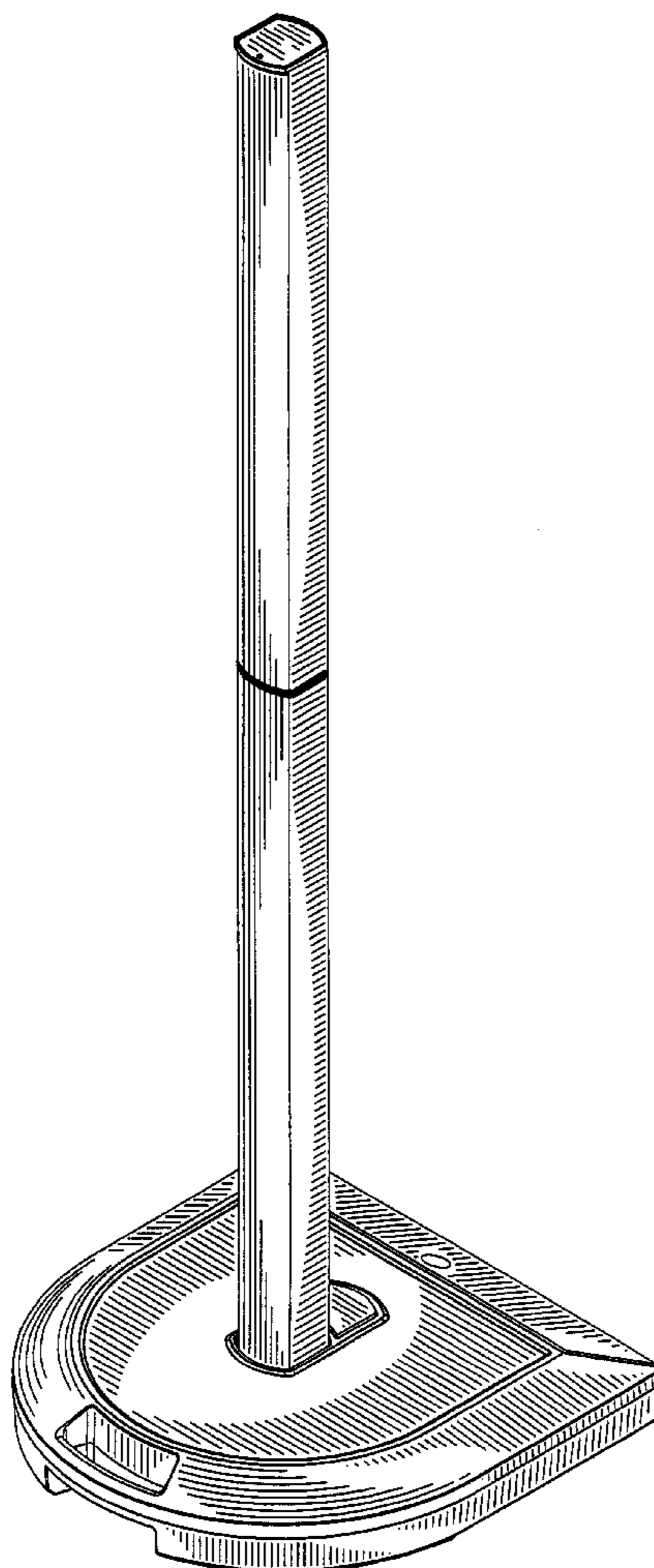
(57) **CLAIM**

The ornamental design for a linear array loudspeaker, substantially as shown and described.

DESCRIPTION

FIG. 1 is a perspective view of the linear array loudspeaker; FIG. 2 is a top view thereof; FIG. 3 is one side view thereof; FIG. 4 is a front view thereof; FIG. 5 is the other side view thereof; FIG. 6 is a rear view thereof; and, FIG. 7 is a bottom view thereof.

1 Claim, 4 Drawing Sheets



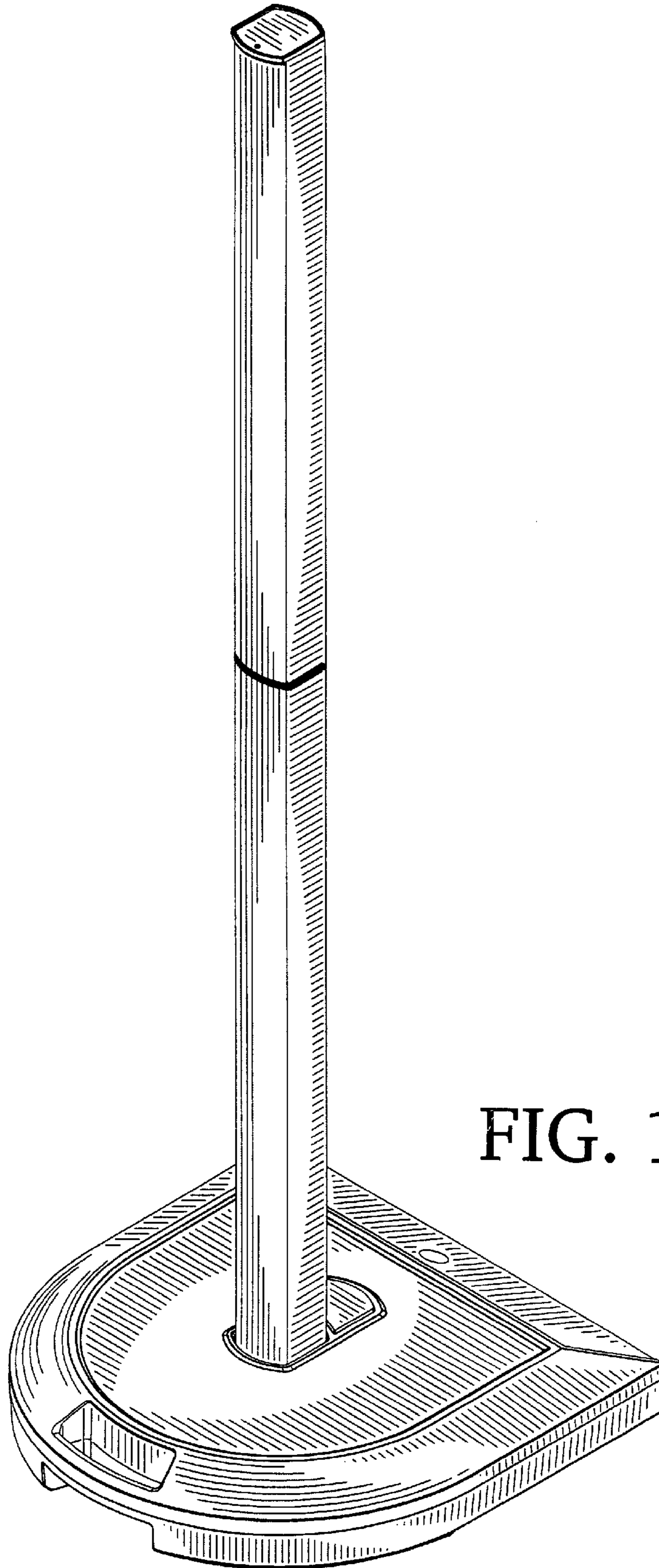


FIG. 1

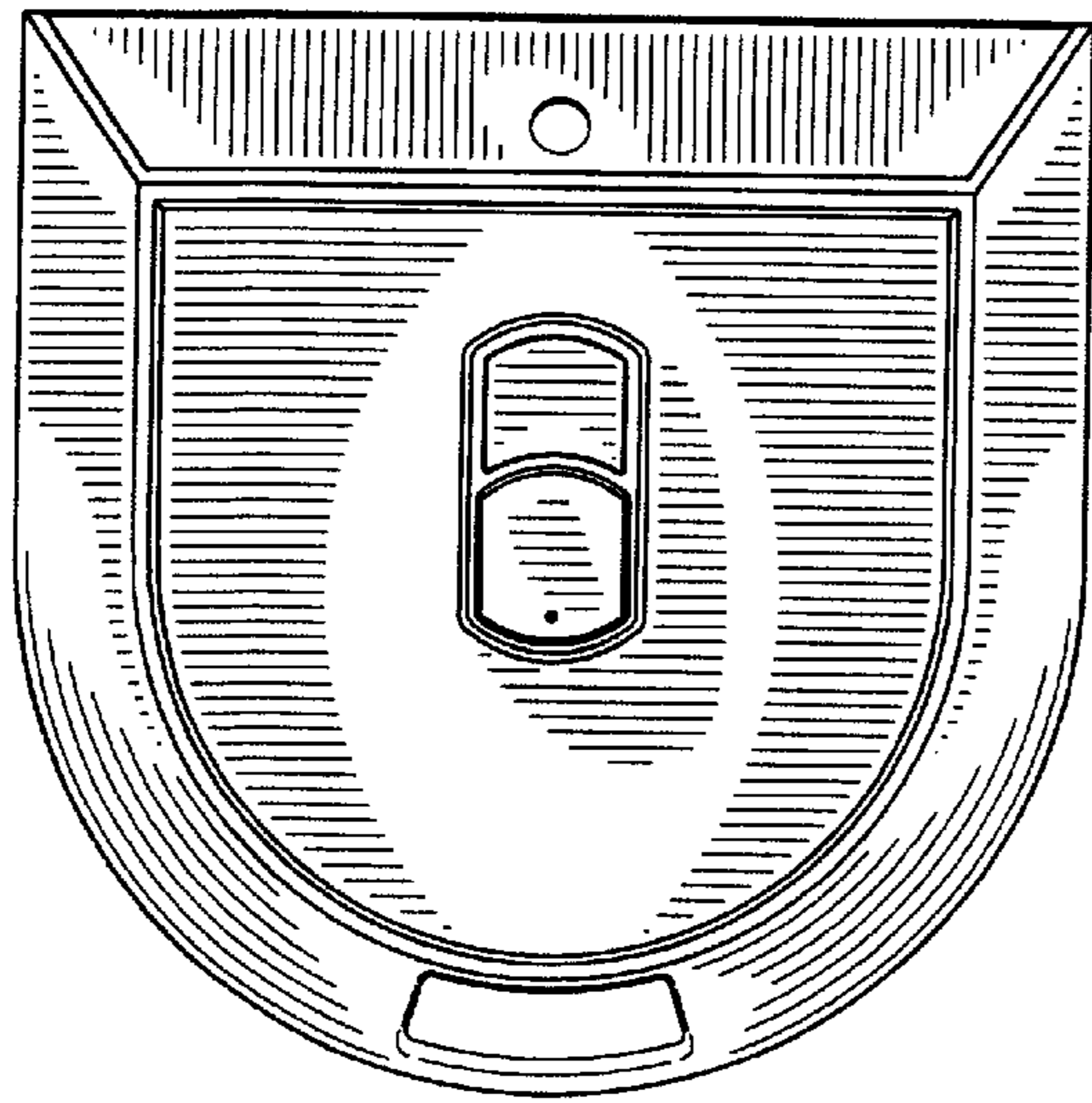


FIG. 2

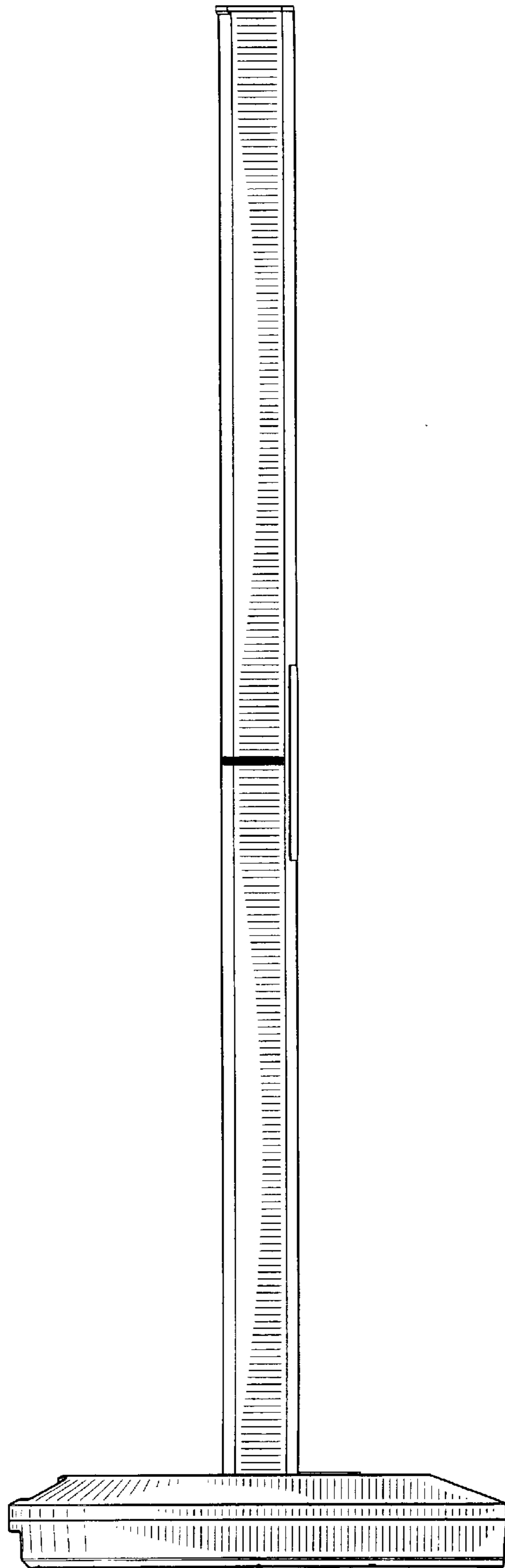


FIG. 3

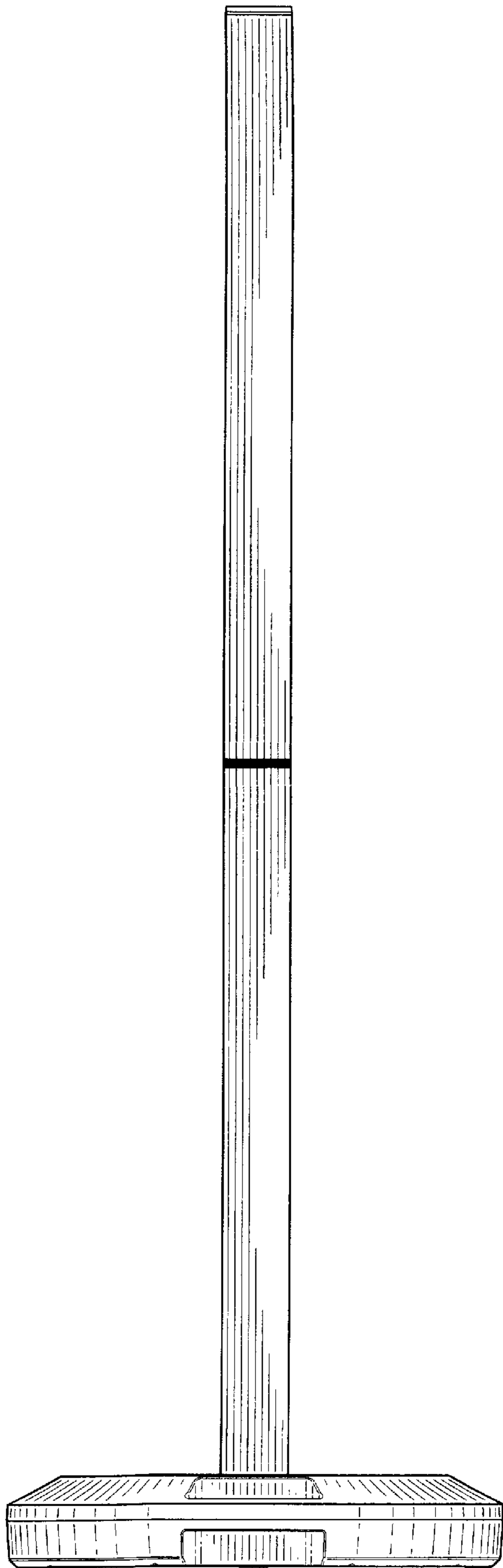


FIG. 4

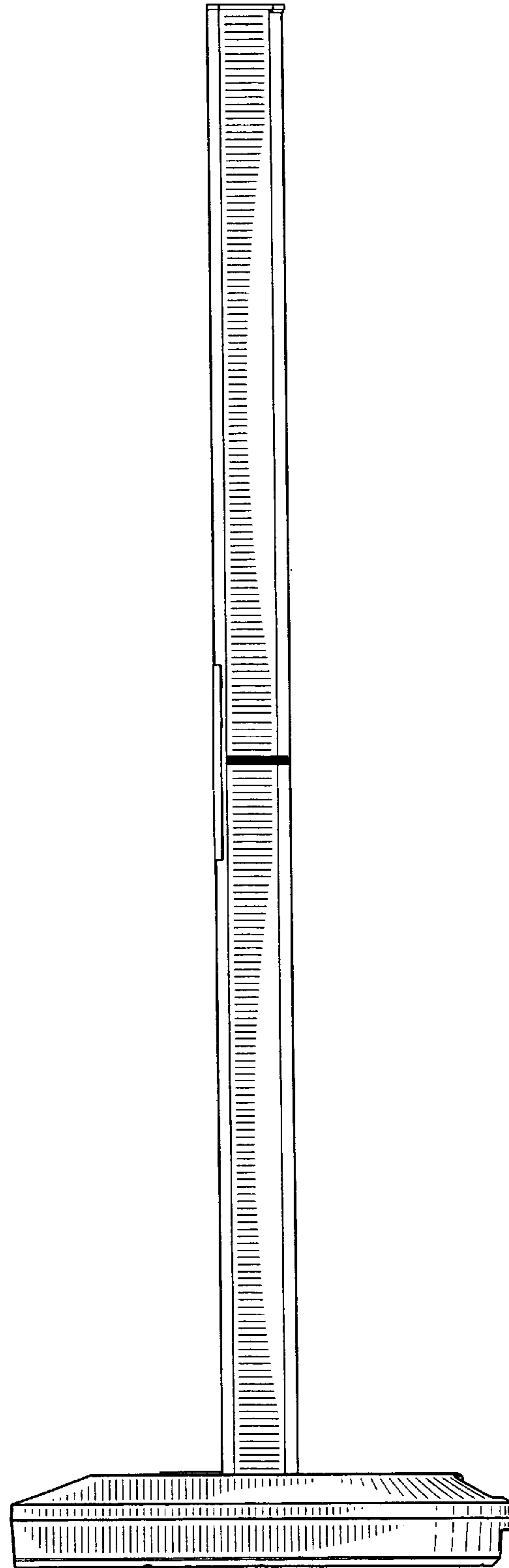


FIG. 5

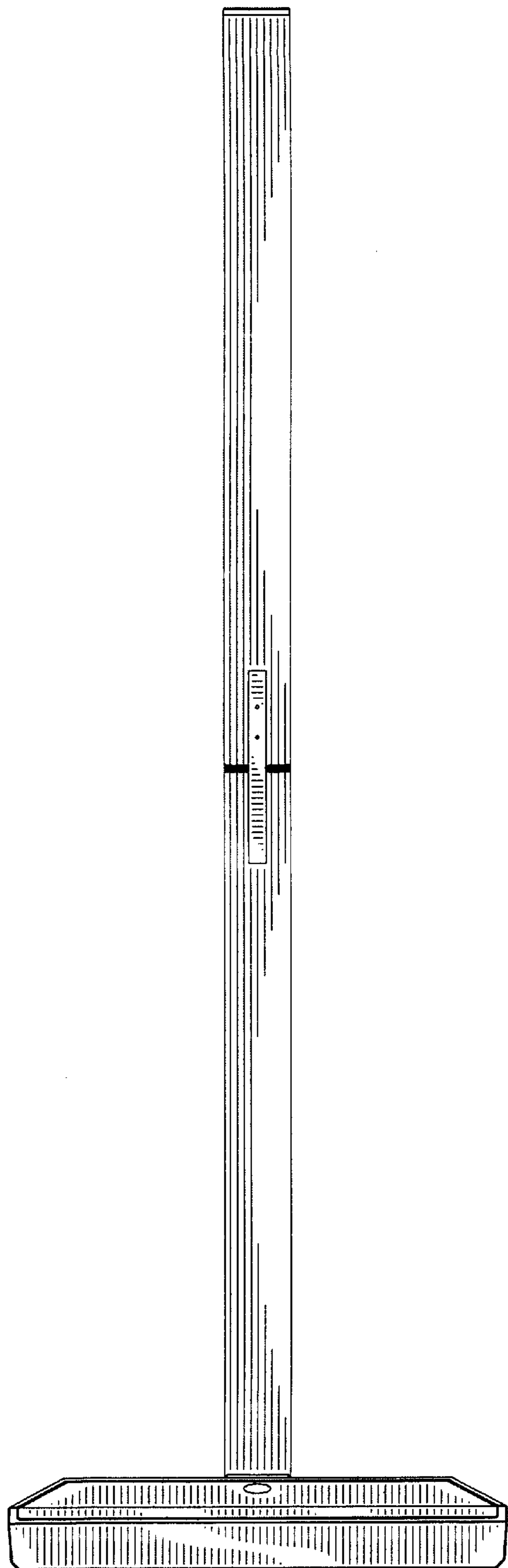


FIG. 6

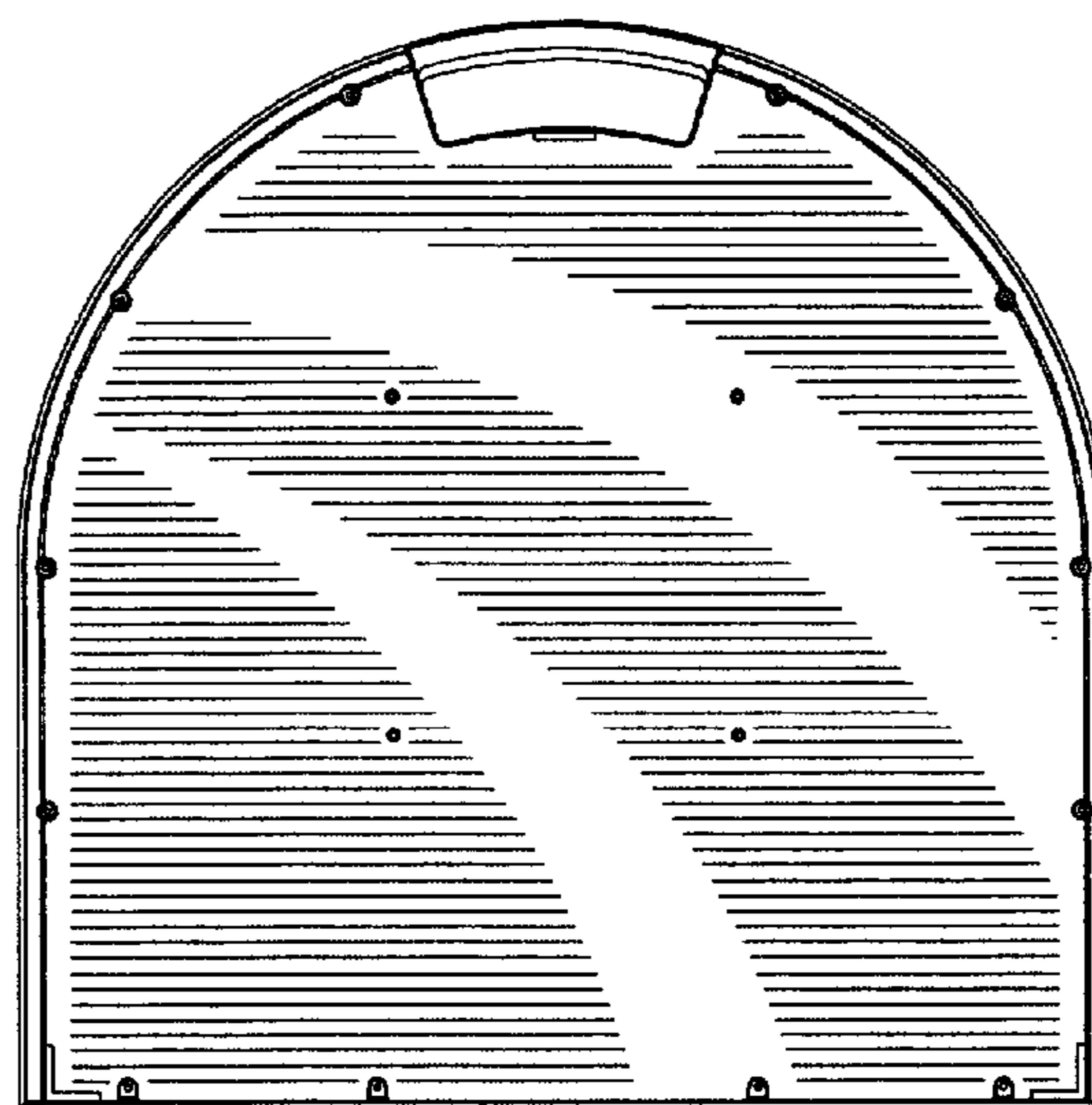


FIG. 7