

US00D522491S

(12) **United States Design Patent**  
**Motoishi**

(10) **Patent No.:** **US D522,491 S**  
(45) **Date of Patent:** **\*\* Jun. 6, 2006**

(54) **COMBINED DISC PLAYER, RADIO RECEIVER AND TAPE RECORDER**

D477,584 S \* 7/2003 Shin ..... D14/168

(75) Inventor: **Takuya Motoishi**, Tokyo (JP)

(73) Assignee: **Sony Corporation**, Tokyo (JP)

(\*\*) Term: **14 Years**

(21) Appl. No.: **29/213,309**

(22) Filed: **Sep. 16, 2004**

(51) **LOC (8) Cl.** ..... **14-01**

(52) **U.S. Cl.** ..... **D14/168**

(58) **Field of Classification Search** ..... D14/135-136,  
D14/160-168, 188, 197-198, 156-157; 455/100,  
455/344, 346-351, 157.1; 369/75.1, 75.2,  
369/77.2

See application file for complete search history.

(56) **References Cited**

**U.S. PATENT DOCUMENTS**

- D339,345 S \* 9/1993 Fuke ..... D14/168
- D435,535 S 12/2000 Shudo et al.
- D452,852 S 1/2002 Hyogo et al.
- D455,415 S \* 4/2002 Suzuki ..... D14/168
- D467,569 S 12/2002 Kobayashi
- D473,206 S \* 4/2003 Sasago et al. .... D14/168

**OTHER PUBLICATIONS**

Web page "CMT-HPX9" <http://www.sony.com.co/corporate?page=subcat&id=1118> 1 sheet, Sony Latin America, Inc. (Sep. 2004).

\* cited by examiner

*Primary Examiner*—Nanda Bondade

(74) *Attorney, Agent, or Firm*—Rader, Fishman & Grauer PLLC

(57) **CLAIM**

The ornamental design for a combined disc player, radio receiver and tape recorder, as shown.

**DESCRIPTION**

FIG. 1 is a perspective view of a combined disc player, radio receiver and tape recorder showing my new design; FIG. 2 is front elevational view thereof; FIG. 3 is a rear elevational view thereof; FIG. 4 is a left side elevational view thereof; FIG. 5 is a right side elevational view thereof; FIG. 6 is a top plan view thereof; and, FIG. 7 is a bottom plan view thereof.

**1 Claim, 7 Drawing Sheets**

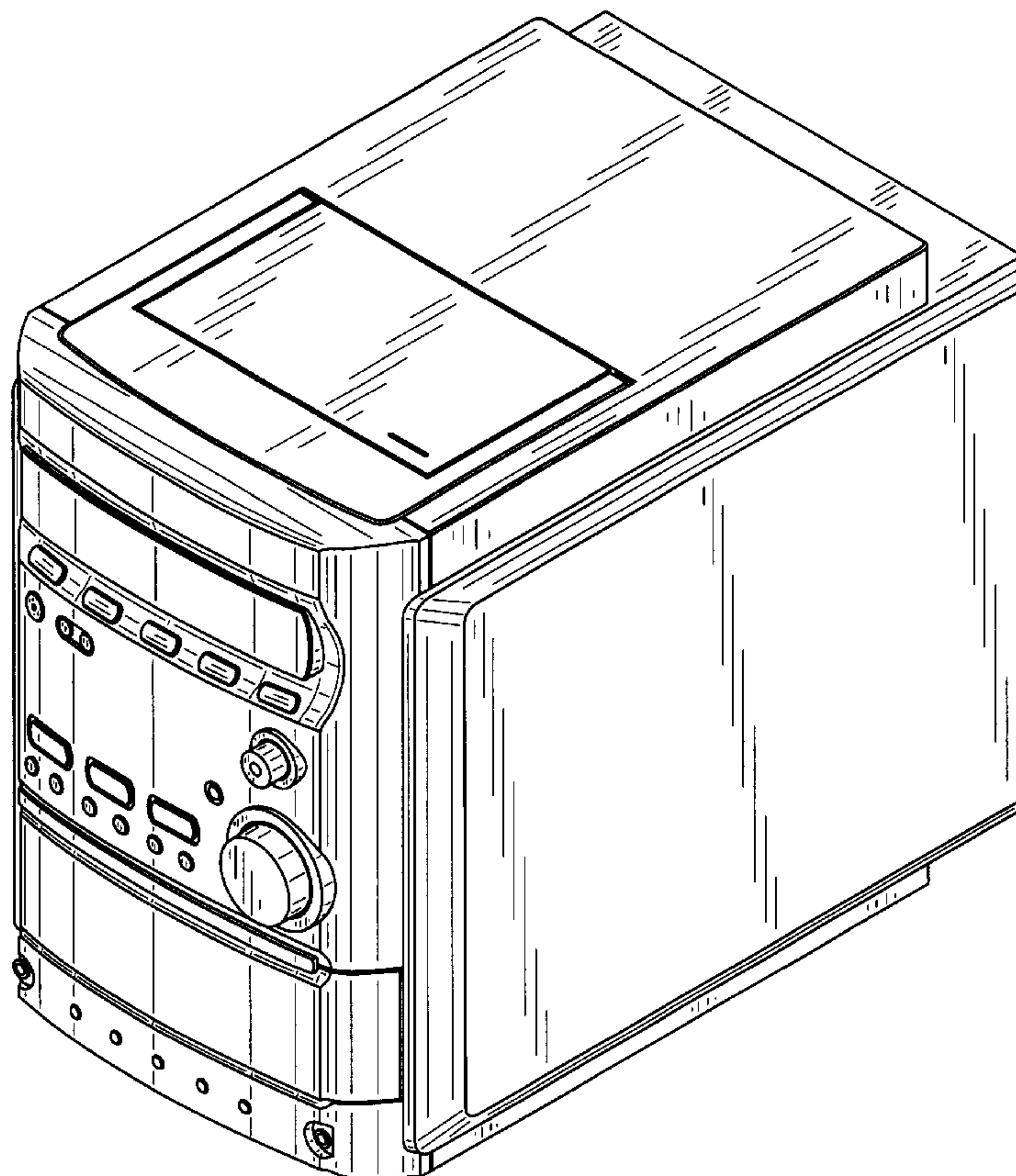


FIG.1

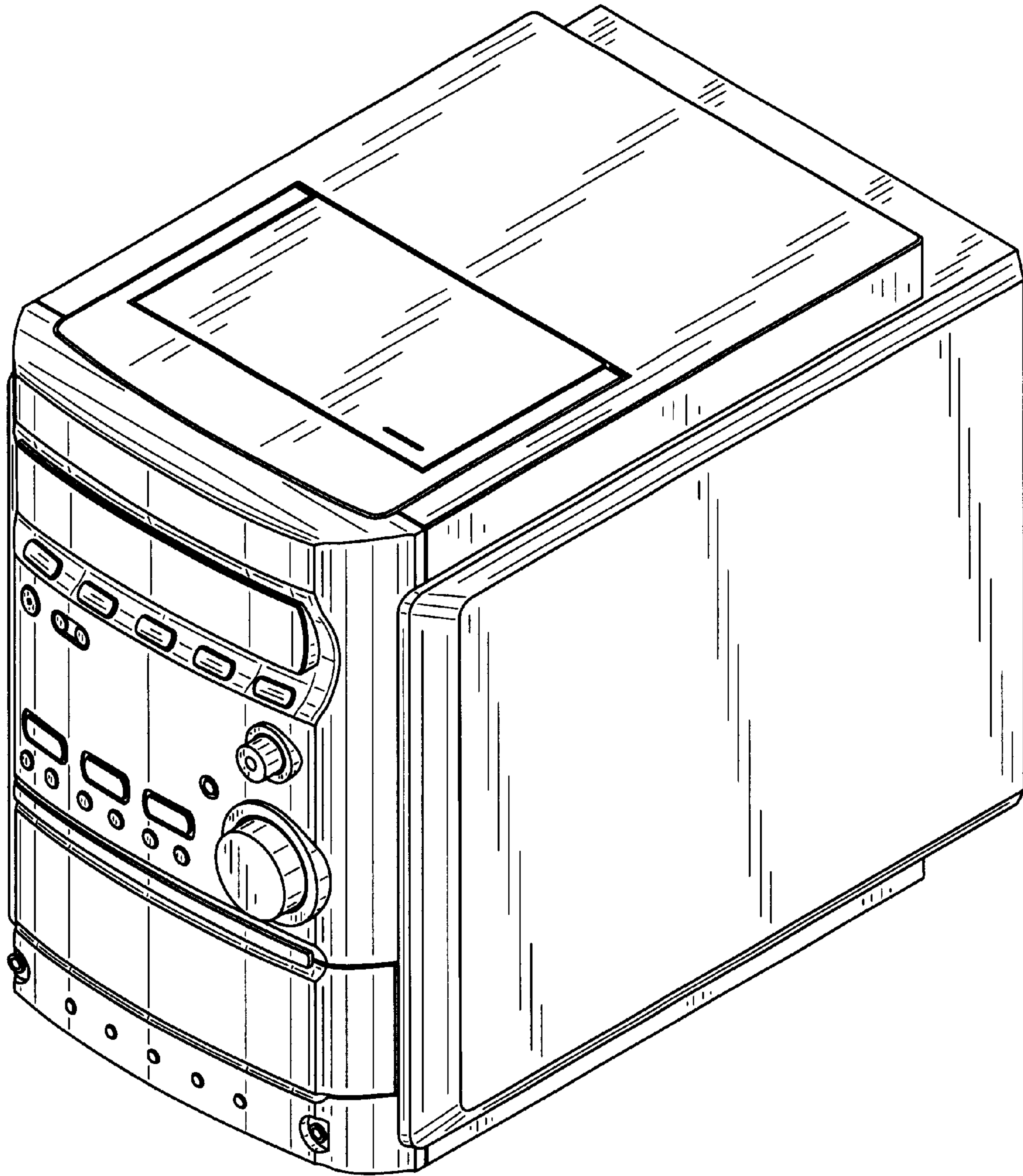


FIG. 2

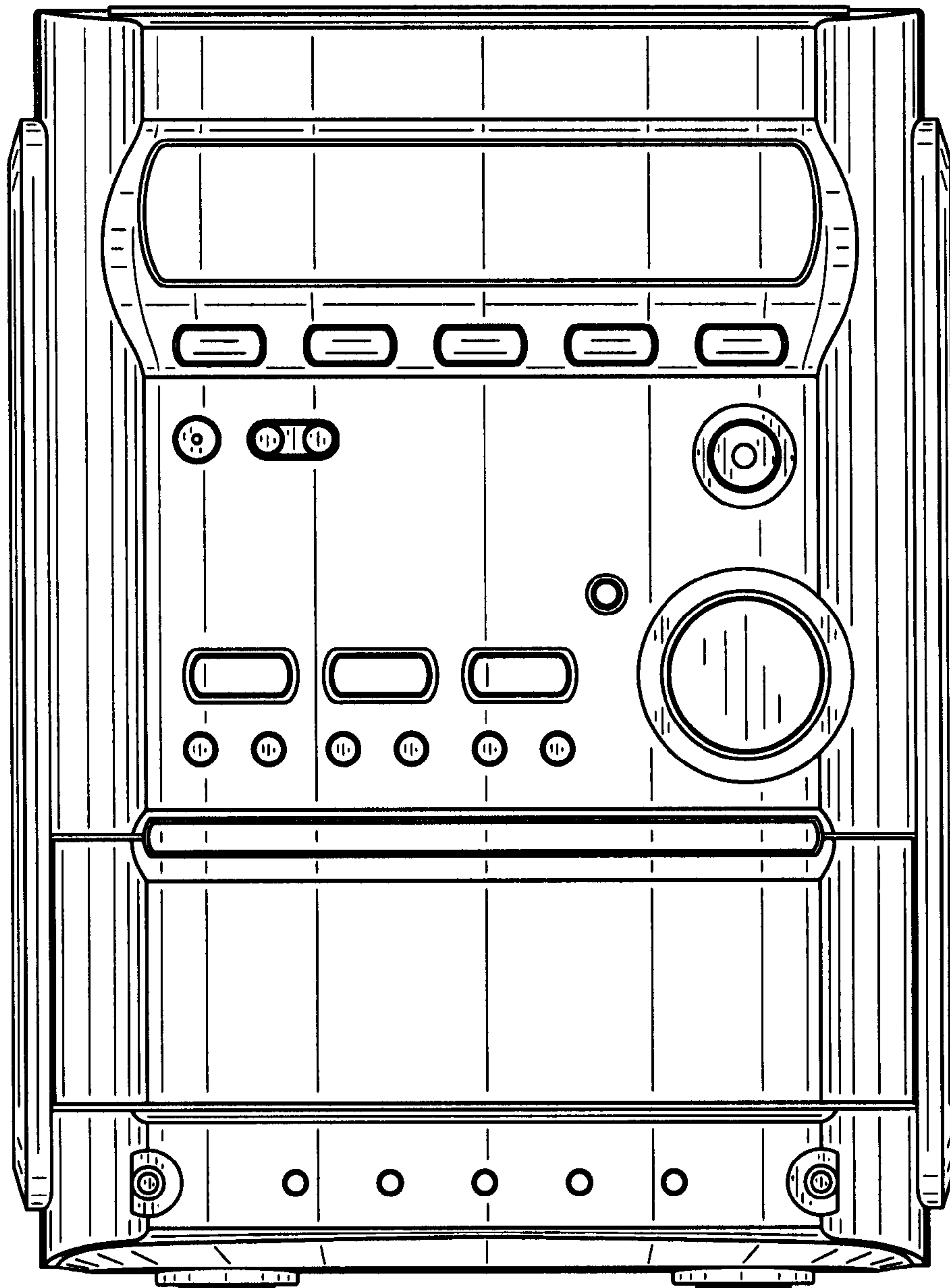


FIG.3

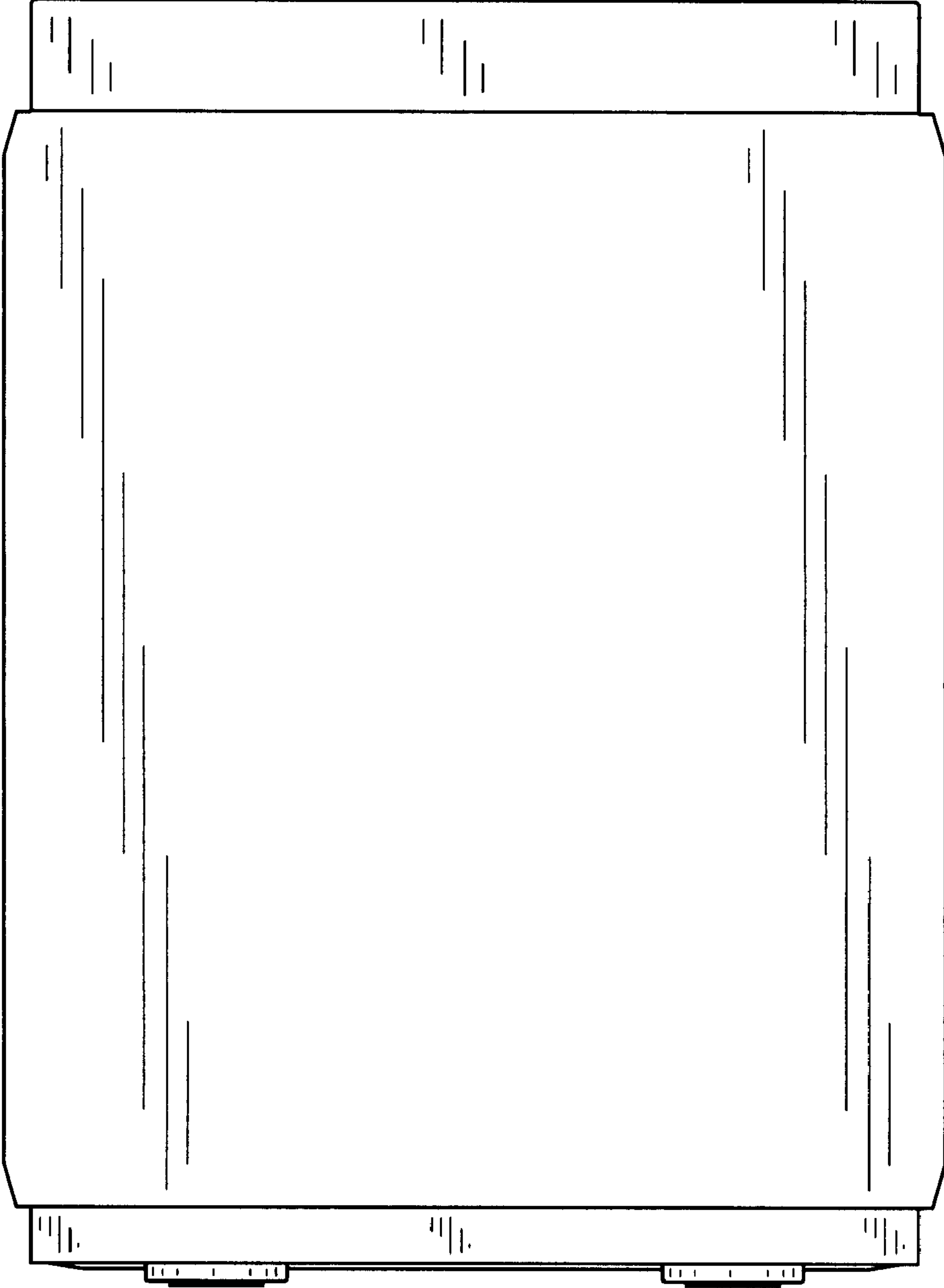


FIG.4

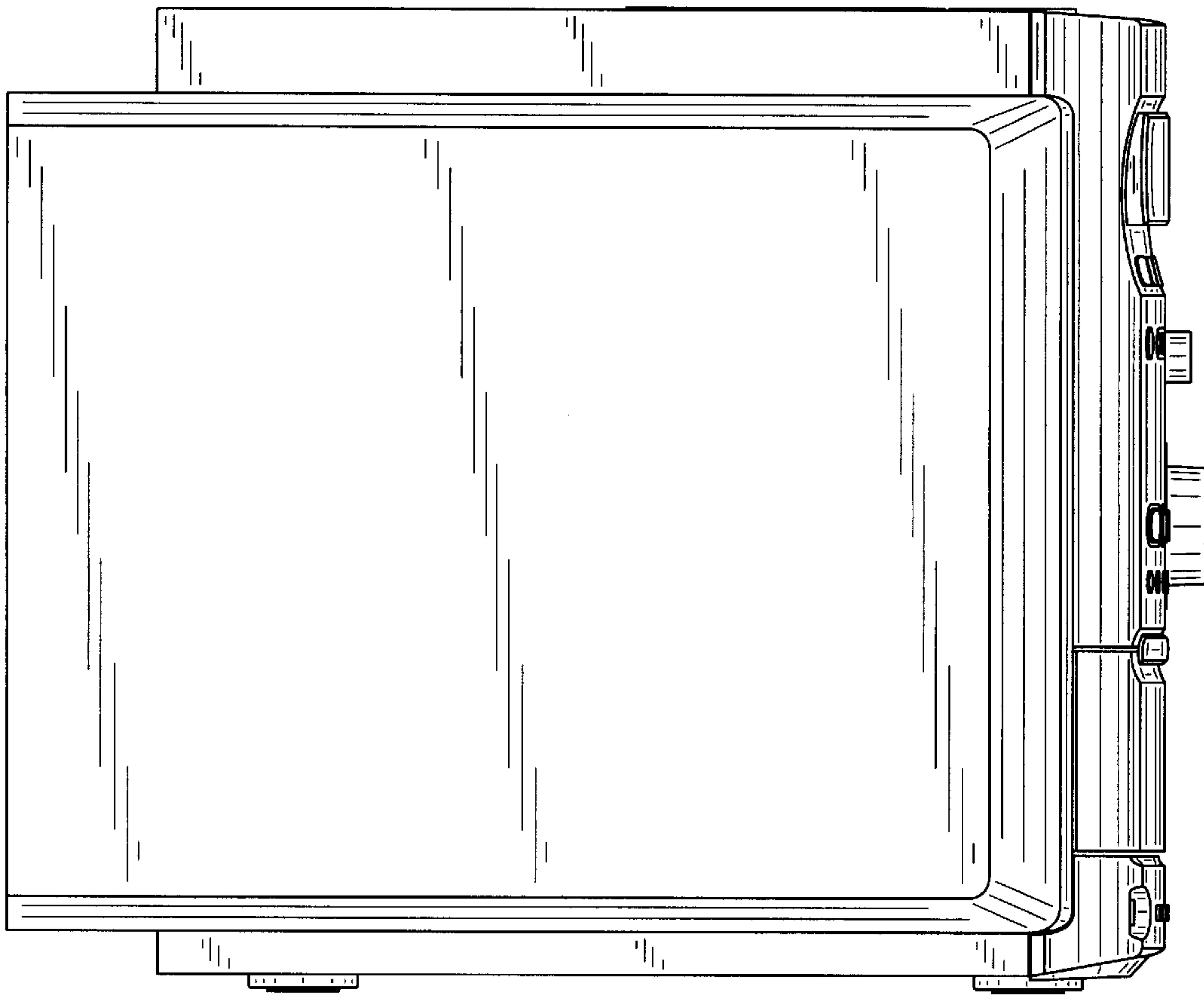




FIG.5

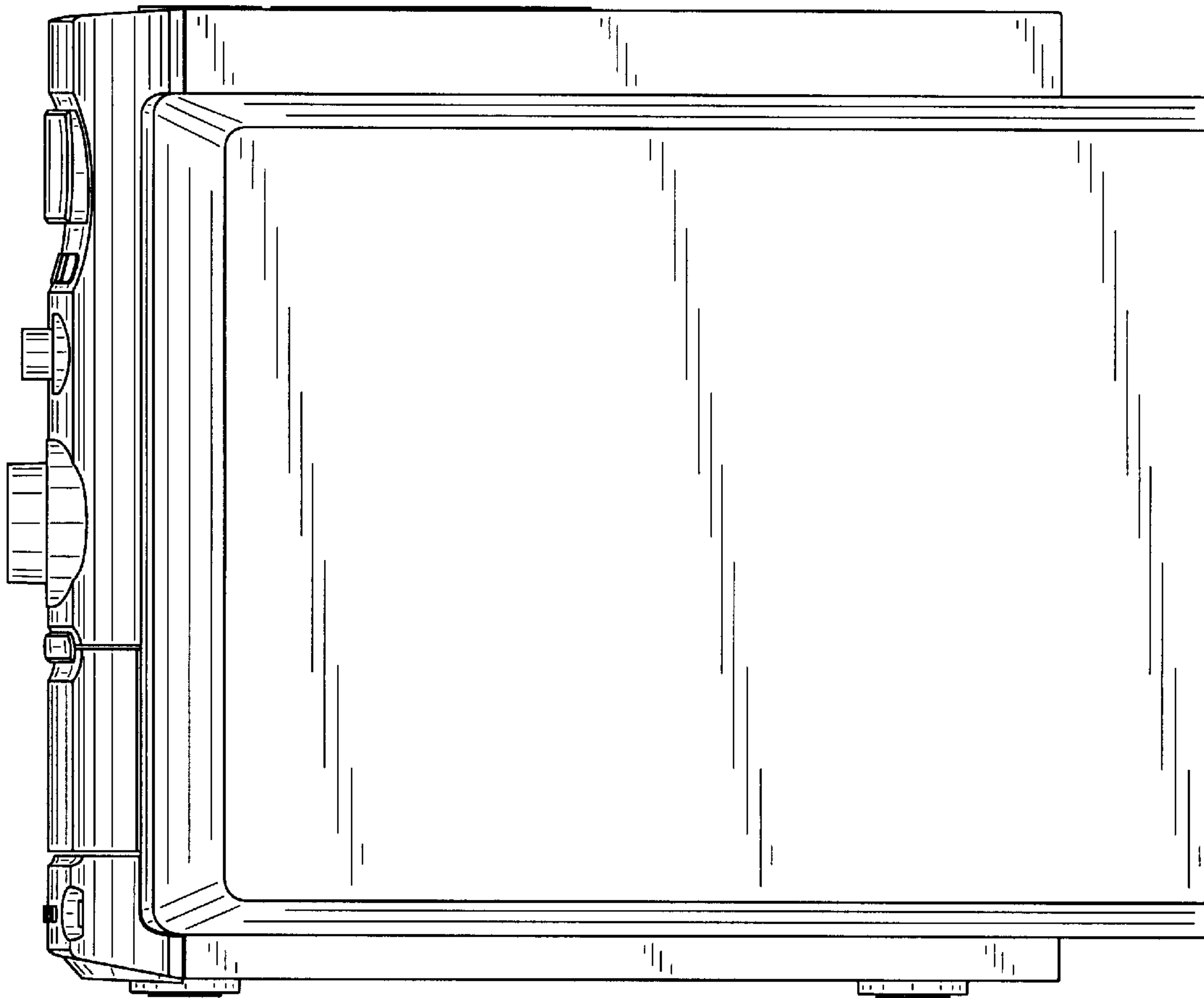


FIG.6

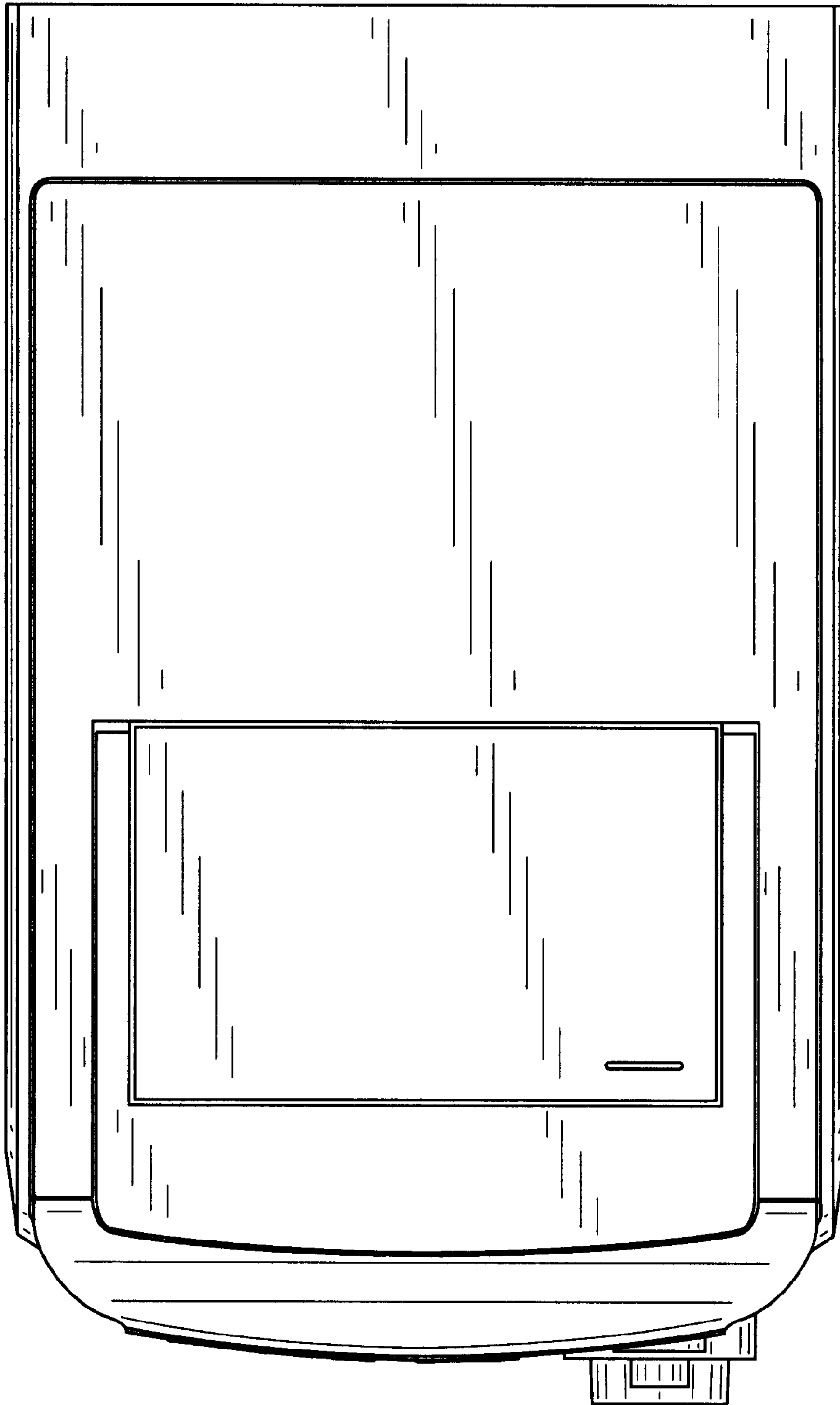


FIG.7

