



US00D522489S

(12) **United States Design Patent**  
**Yoshihara**

(10) **Patent No.:** **US D522,489 S**  
(45) **Date of Patent:** **\*\* Jun. 6, 2006**

(54) **DIGITAL DISC PLAYER**  
(75) Inventor: **Keiichiro Yoshihara**, Tokyo (JP)  
(73) Assignee: **Clarion Co., Ltd.**, Tokyo (JP)  
(\*\*) Term: **14 Years**

D351,167 S \* 10/1994 Yun ..... D14/156  
5,363,122 A \* 11/1994 Suenaga et al. .... 345/212  
5,862,468 A \* 1/1999 Kim ..... 455/348  
D483,731 S \* 12/2003 Yoshihara ..... D14/157  
D496,930 S \* 10/2004 Yoshihara ..... D14/258

\* cited by examiner

(21) Appl. No.: **29/220,183**  
(22) Filed: **Dec. 28, 2004**

*Primary Examiner*—Nanda Bondade  
(74) *Attorney, Agent, or Firm*—Chapman and Cutler LLP

(30) **Foreign Application Priority Data**

Dec. 3, 2004 (JP) ..... 2004-037133

(57) **CLAIM**

The ornamental design for the digital disc player, as shown and described.

(51) **LOC (8) Cl.** ..... **14-01**  
(52) **U.S. Cl.** ..... **D14/157**  
(58) **Field of Classification Search** ..... D14/135–136,  
D14/156–157, 160–165, 167–168, 192–198,  
D14/188, 217, 257, 258, 445; 360/99.02,  
360/99.07; 369/75.11, 75.21, 77.21, 77.11;  
720/612, 619, 647, 655; 455/344, 347–351  
See application file for complete search history.

**DESCRIPTION**

FIG. 1 is a front elevational view of the digital disc player showing my new design;  
FIG. 2 is a rear elevational view thereof;  
FIG. 3 is a left side elevational view thereof;  
FIG. 4 is a right side elevational view thereof;  
FIG. 5 is a top plan view thereof;  
FIG. 6 is a bottom plan view thereof;  
FIG. 7 is a sectional view thereof, taken along line 7—7 on FIG. 1; and,  
FIG. 8 is a perspective view thereof.

(56) **References Cited**

**U.S. PATENT DOCUMENTS**

D313,023 S \* 12/1990 Kolenda et al. .... D14/258

**1 Claim, 3 Drawing Sheets**

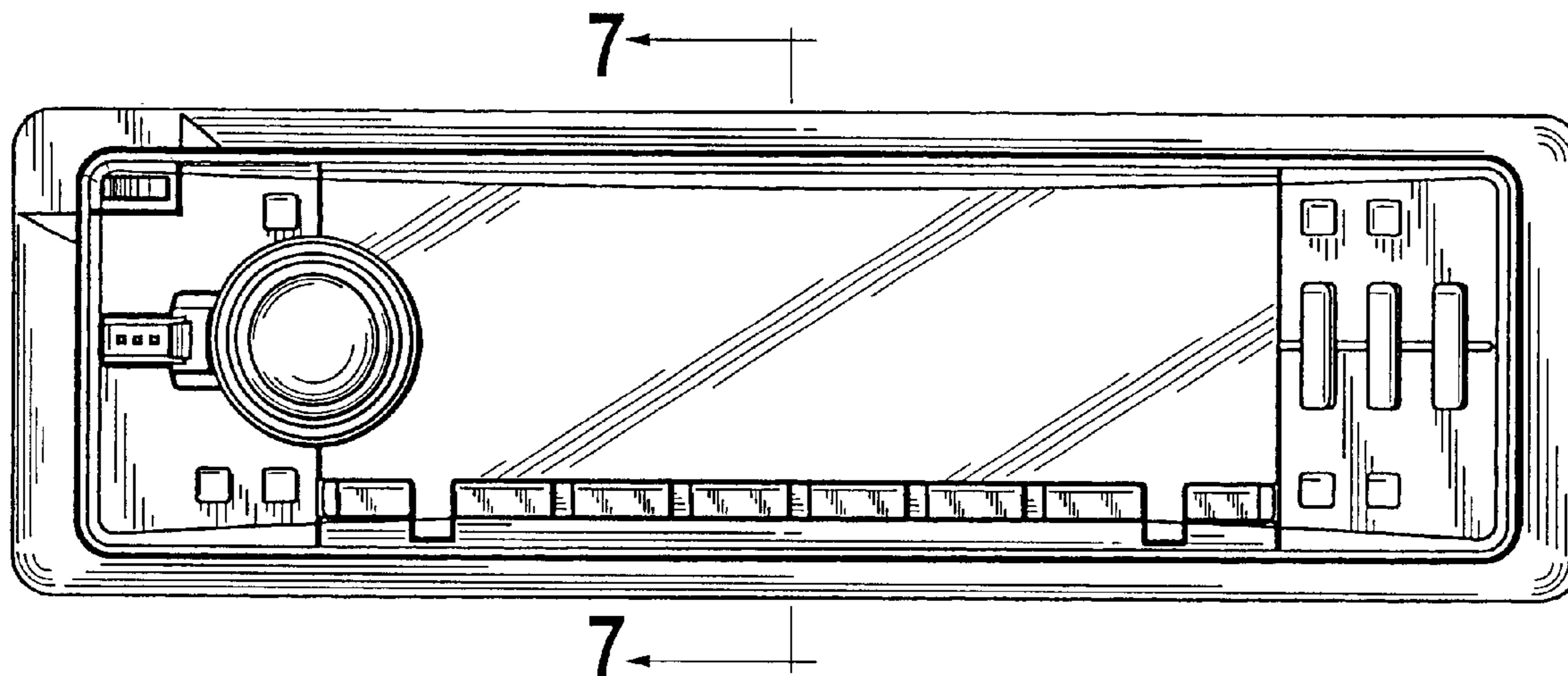
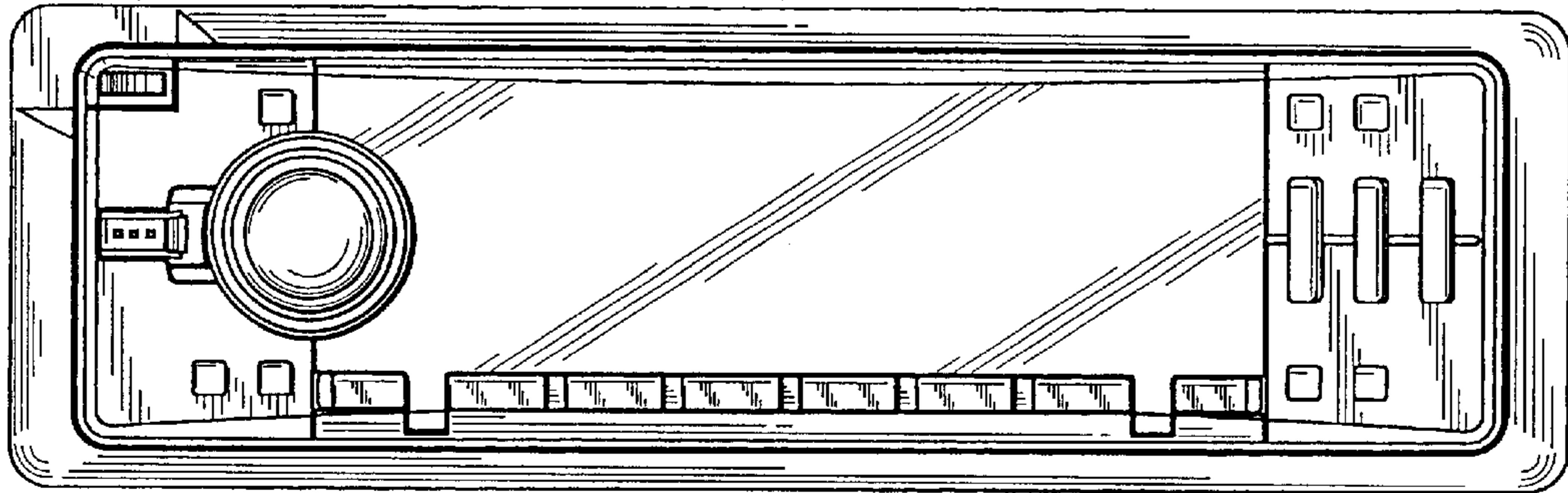


Fig. 1

7 ←



7 ←

Fig. 2

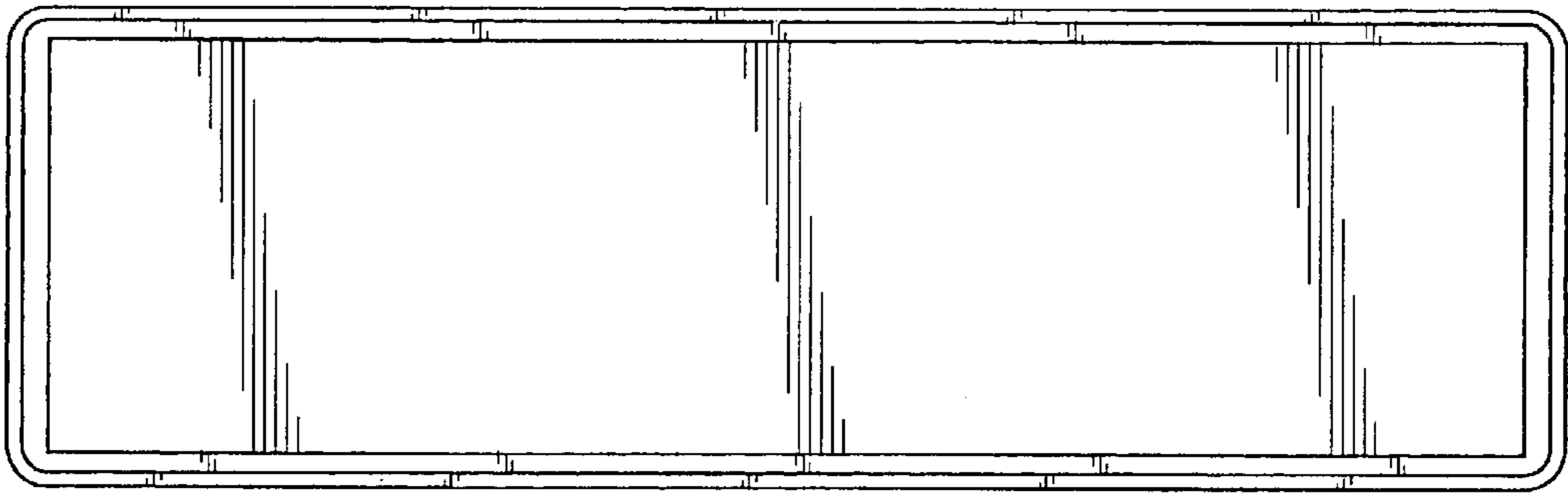


Fig. 3

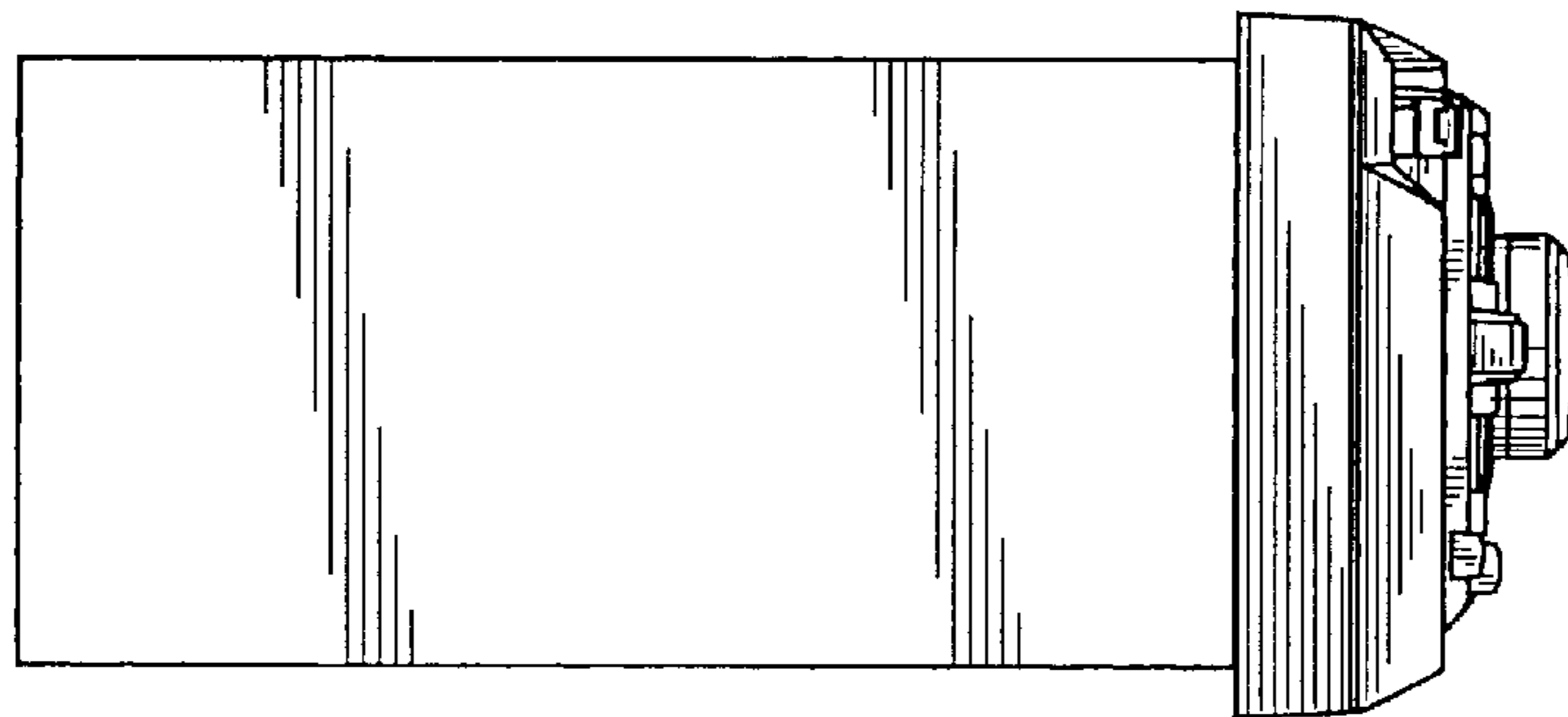


Fig. 4

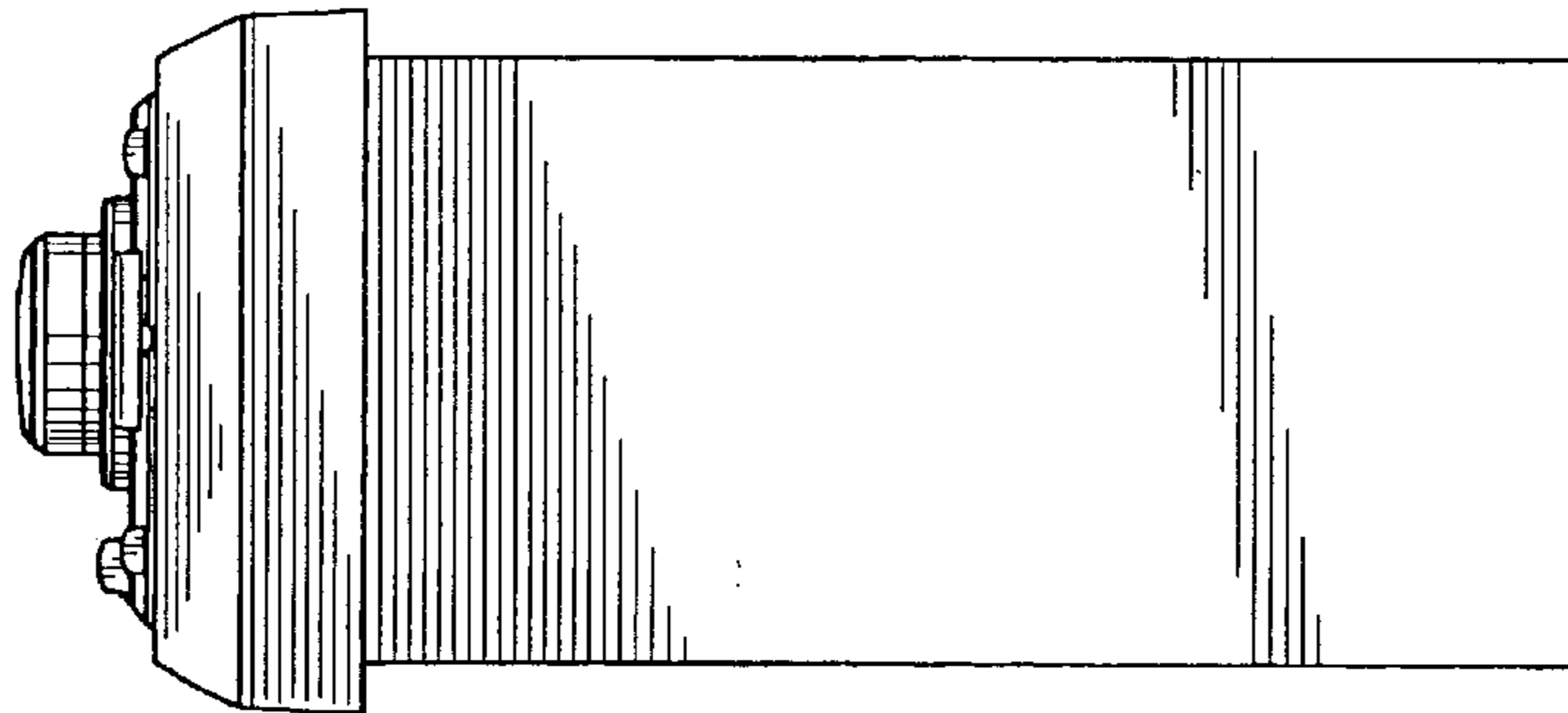


Fig. 5

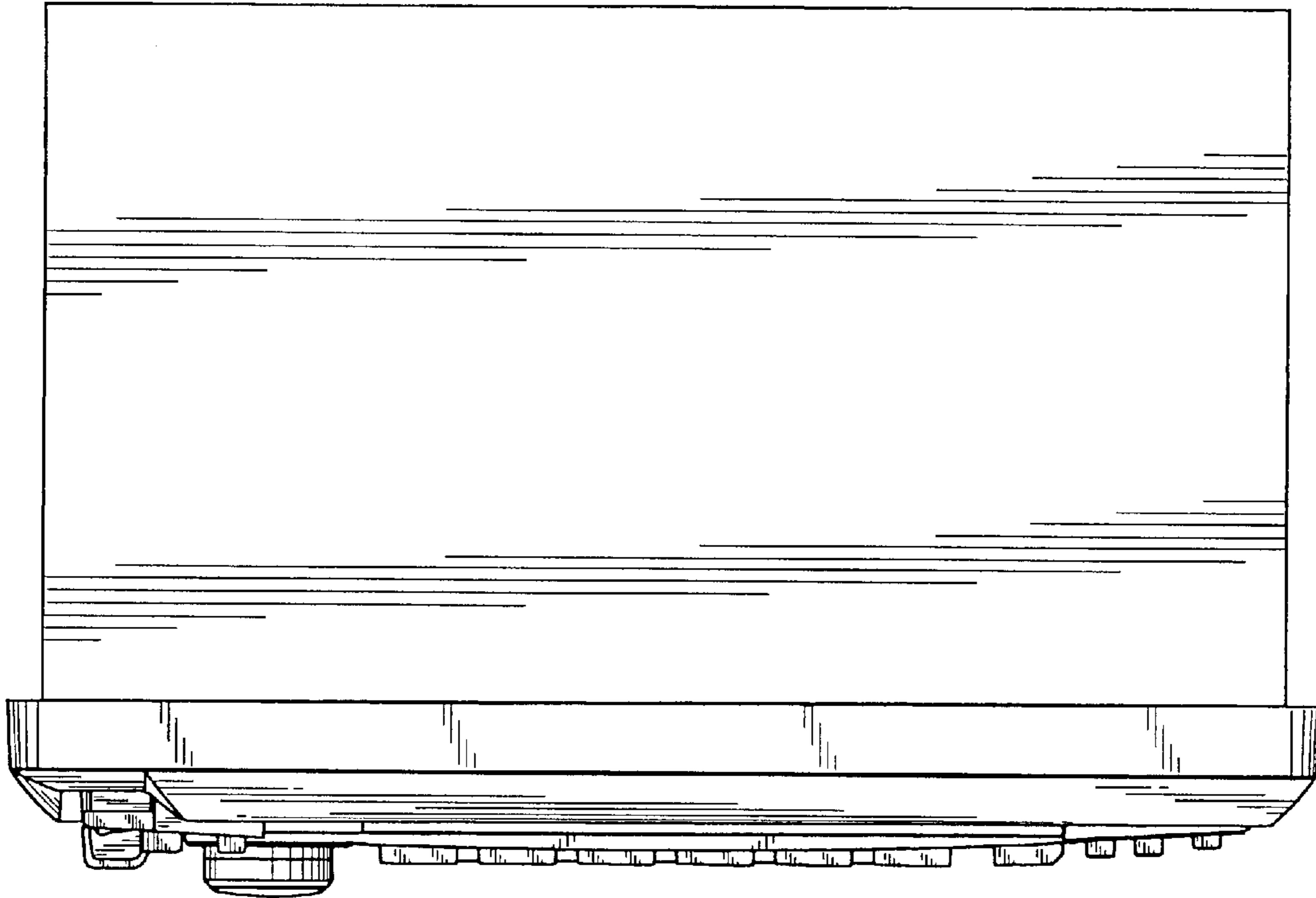


Fig. 6

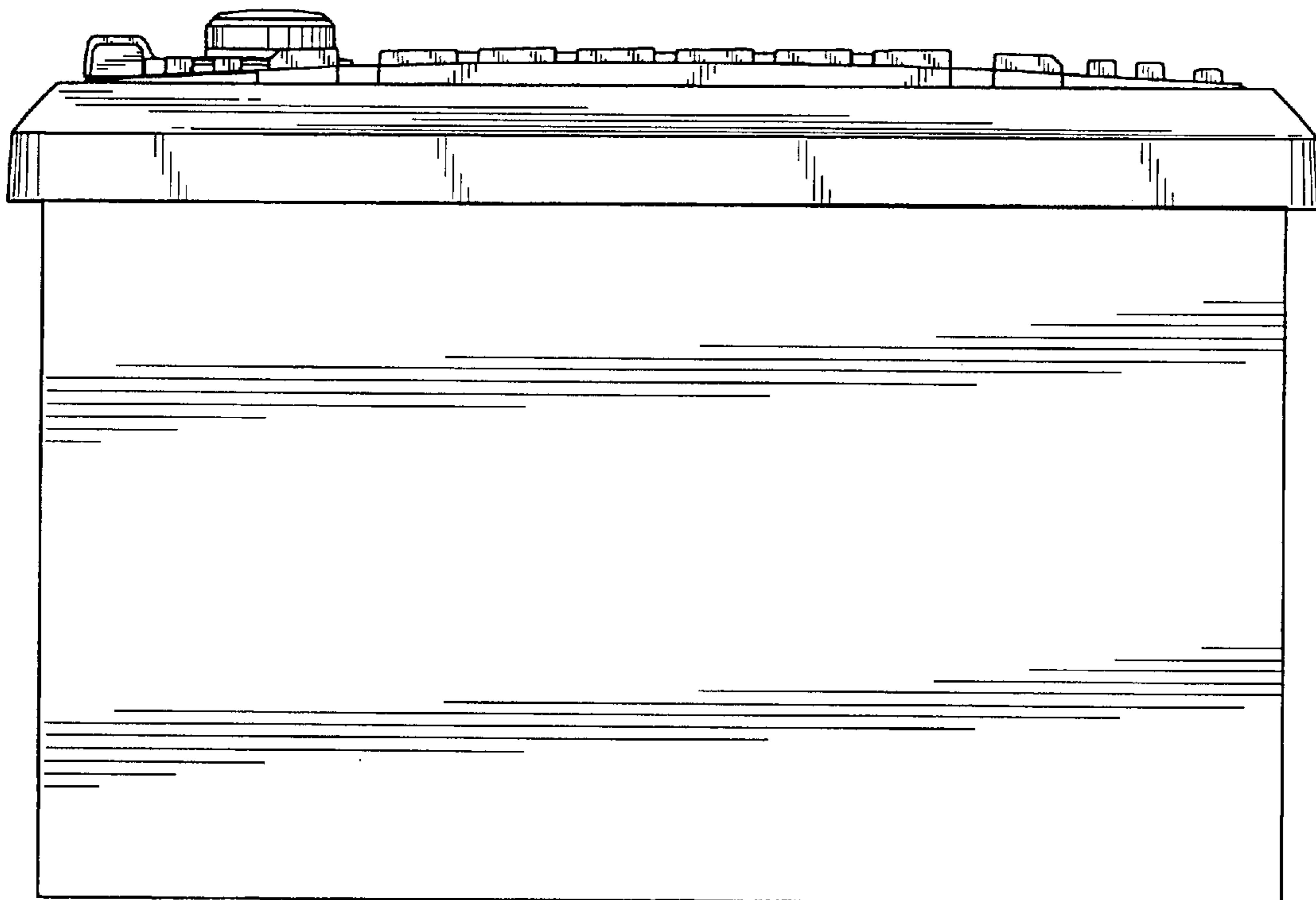


Fig. 7

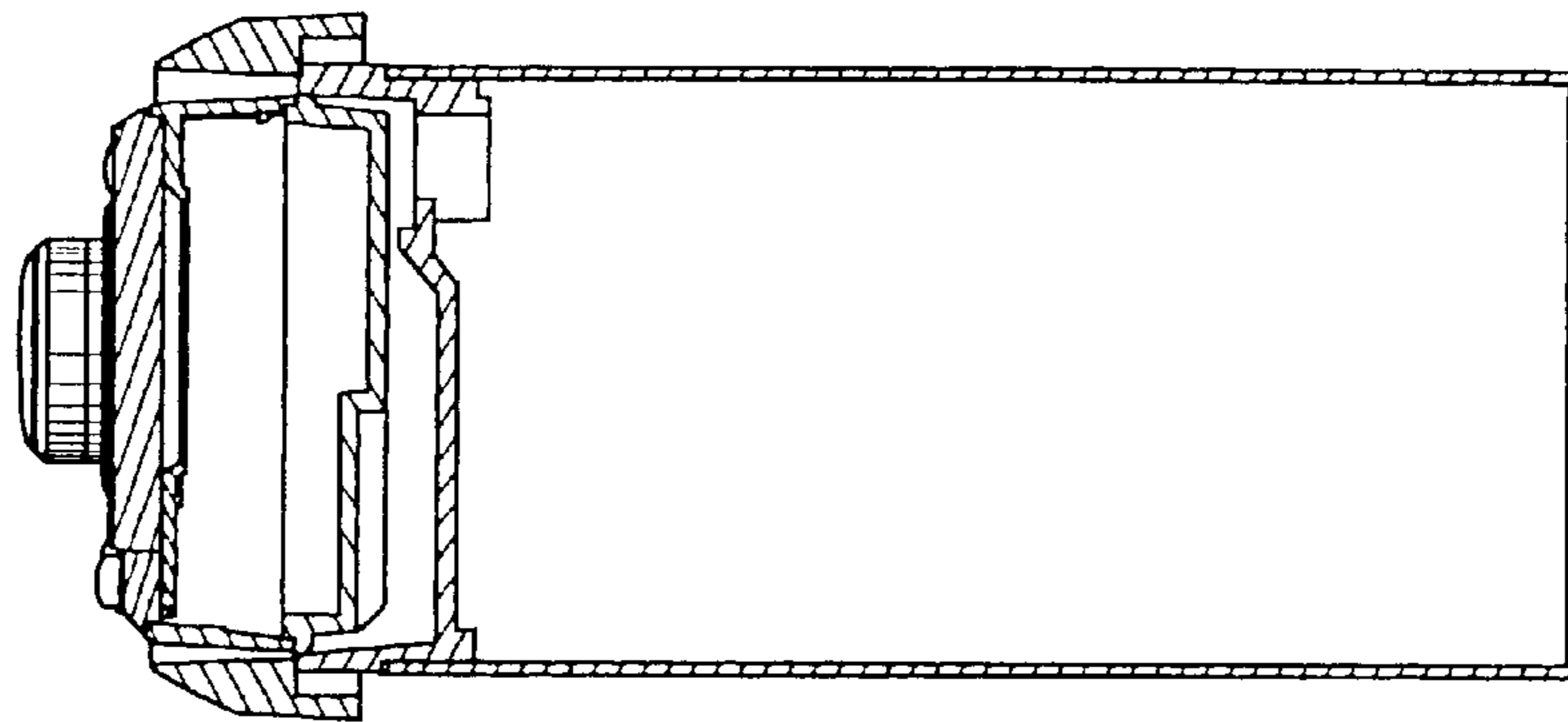


Fig. 8

