



US00D522480S

(12) **United States Design Patent**  
**Imboden et al.**

(10) **Patent No.:** **US D522,480 S**

(45) **Date of Patent:** **\*\* Jun. 6, 2006**

(54) **TELEVISION SET**

(75) Inventors: **Ethan Imboden**, Sunnyvale, CA (US);  
**John Brock**, Sunnyvale, CA (US)

(73) Assignee: **Hannspree, Inc.**, Taipei (TW)

(\*\*) Term: **14 Years**

(21) Appl. No.: **29/230,641**

(22) Filed: **May 25, 2005**

(30) **Foreign Application Priority Data**

Dec. 10, 2004 (TW) ..... 93307532

(51) **LOC (8) Cl.** ..... **14-03**

(52) **U.S. Cl.** ..... **D14/126**

(58) **Field of Classification Search** ..... D14/125-134,  
D14/239, 371, 136, 374-377; 312/7.2; 348/836,  
348/838, 180, 184, 325, 739; 341/12; 248/917-924,  
248/465; 345/104, 133, 156, 168, 87, 173;  
720/605, 669, 600, 655; 369/99, 197; 455/344-347  
See application file for complete search history.

(56) **References Cited**

**U.S. PATENT DOCUMENTS**

D373,579 S \* 9/1996 Searby et al. .... D14/126  
D421,600 S \* 3/2000 Chou ..... D14/126  
D433,409 S \* 11/2000 Chen ..... D14/336

D454,352 S \* 3/2002 Love et al. .... D14/374  
D470,140 S \* 2/2003 Lin ..... D14/375  
D474,469 S \* 5/2003 Koo et al. .... D14/375  
D476,004 S \* 6/2003 Olson et al. .... D14/375  
D476,655 S \* 7/2003 Liu ..... D14/375  
D484,133 S \* 12/2003 Liu et al. .... D14/375  
D488,812 S \* 4/2004 Chiu ..... D14/375  
D496,934 S \* 10/2004 Borsboom ..... D14/371  
D497,165 S \* 10/2004 Borsboom ..... D14/371

\* cited by examiner

*Primary Examiner*—Raphael Barkai

(74) *Attorney, Agent, or Firm*—Troxell Law Office, PLLC

(57) **CLAIM**

The ornamental design for a television set, as shown and described.

**DESCRIPTION**

FIG. 1 is a perspective view of television set showing our design;

FIG. 2 is another rear side perspective view thereof;

FIG. 3 is a front view thereof;

FIG. 4 is a rear side view thereof;

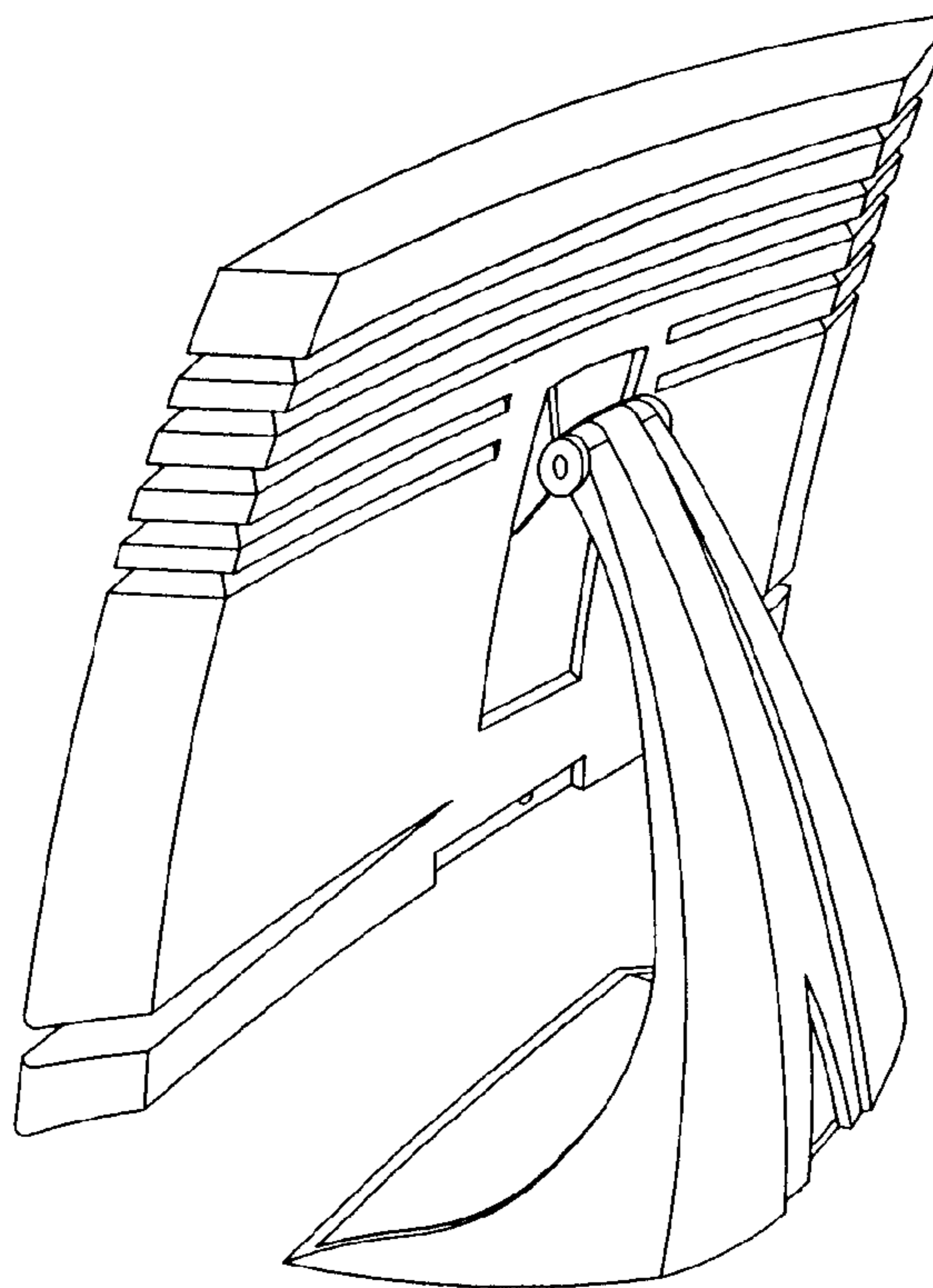
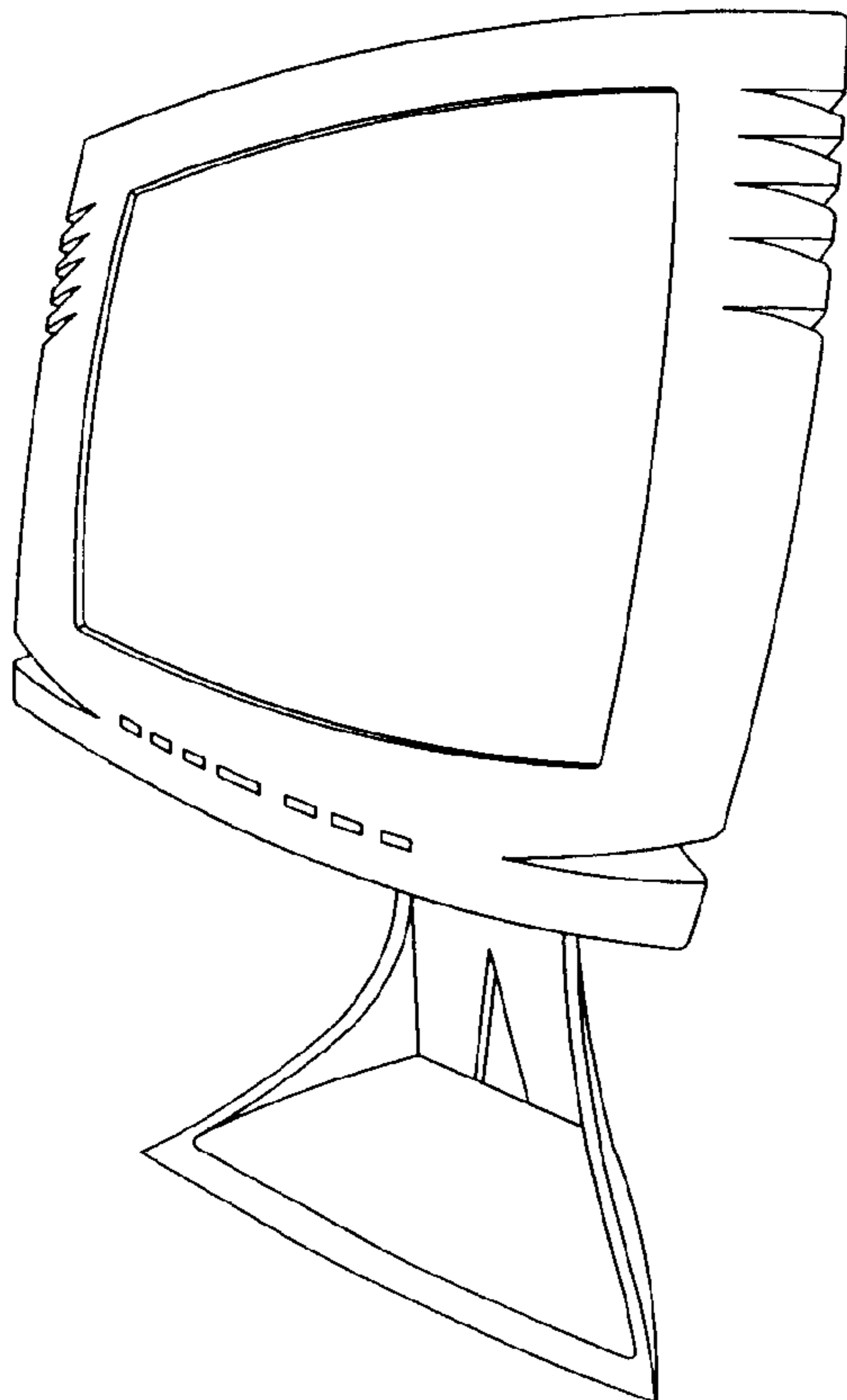
FIG. 5 is a top view thereof;

FIG. 6 is a bottom view thereof;

FIG. 7 is a left side view thereof; and,

FIG. 8 is a right side view thereof.

**1 Claim, 5 Drawing Sheets**



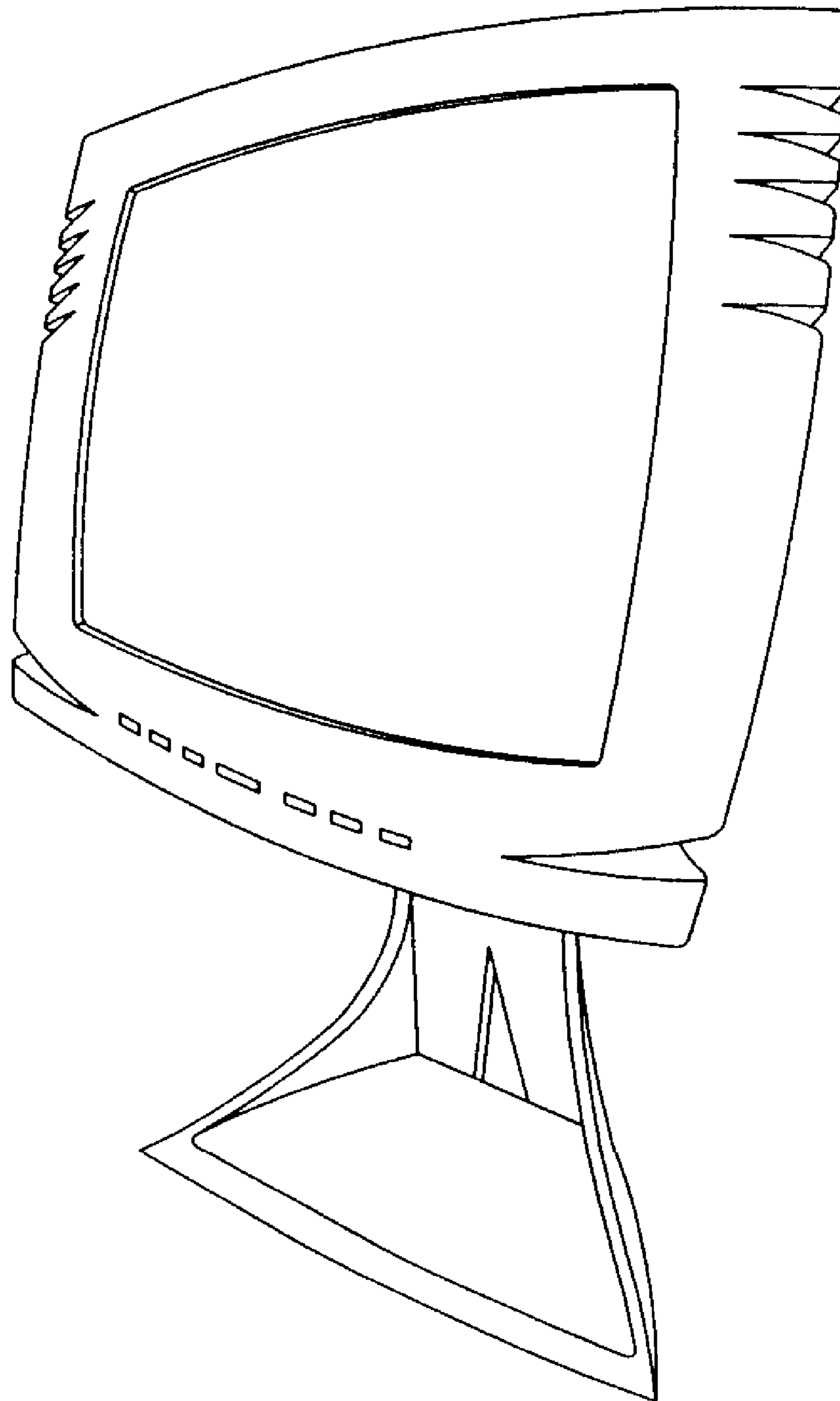


FIG. 1

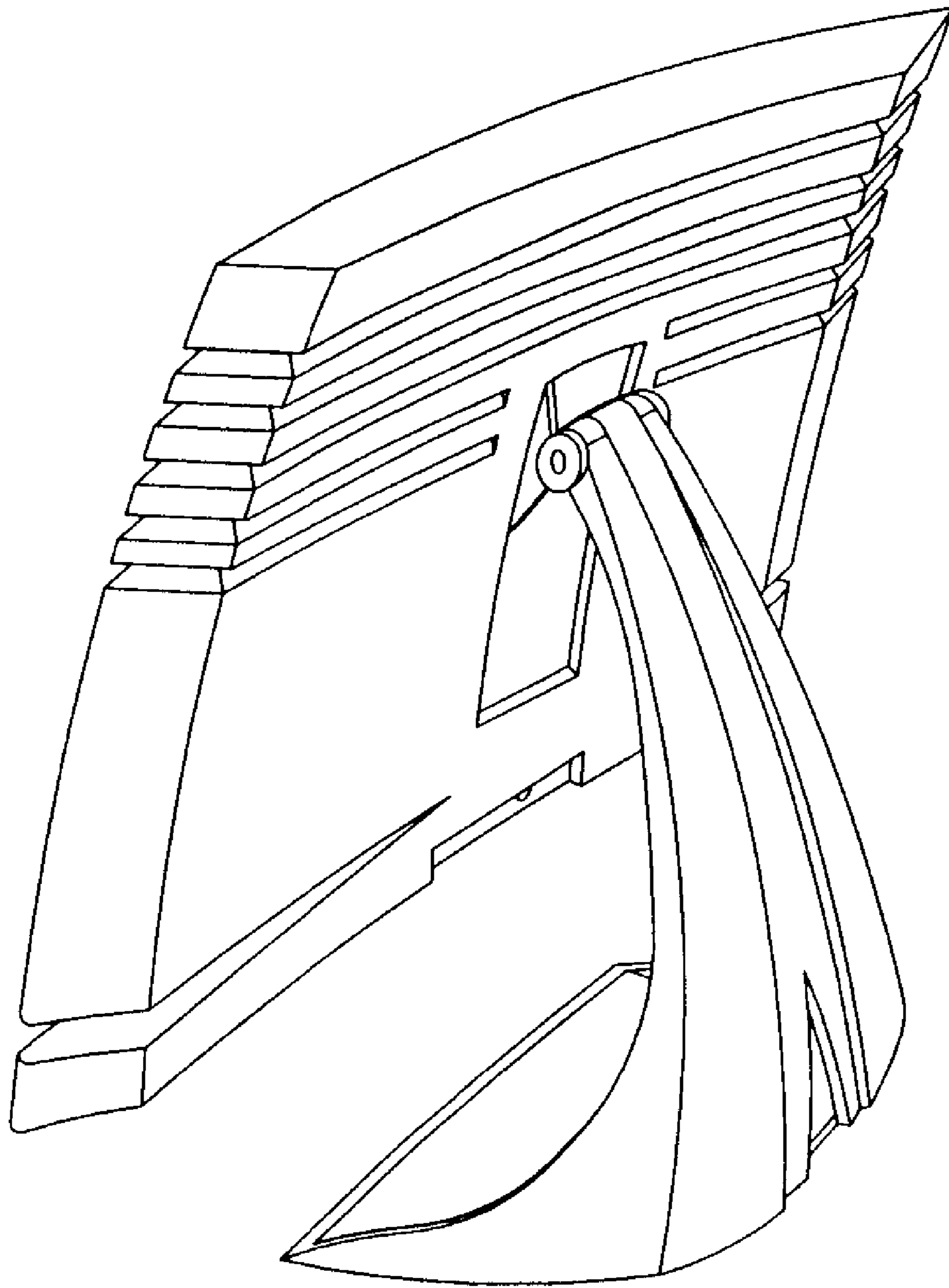


FIG. 2

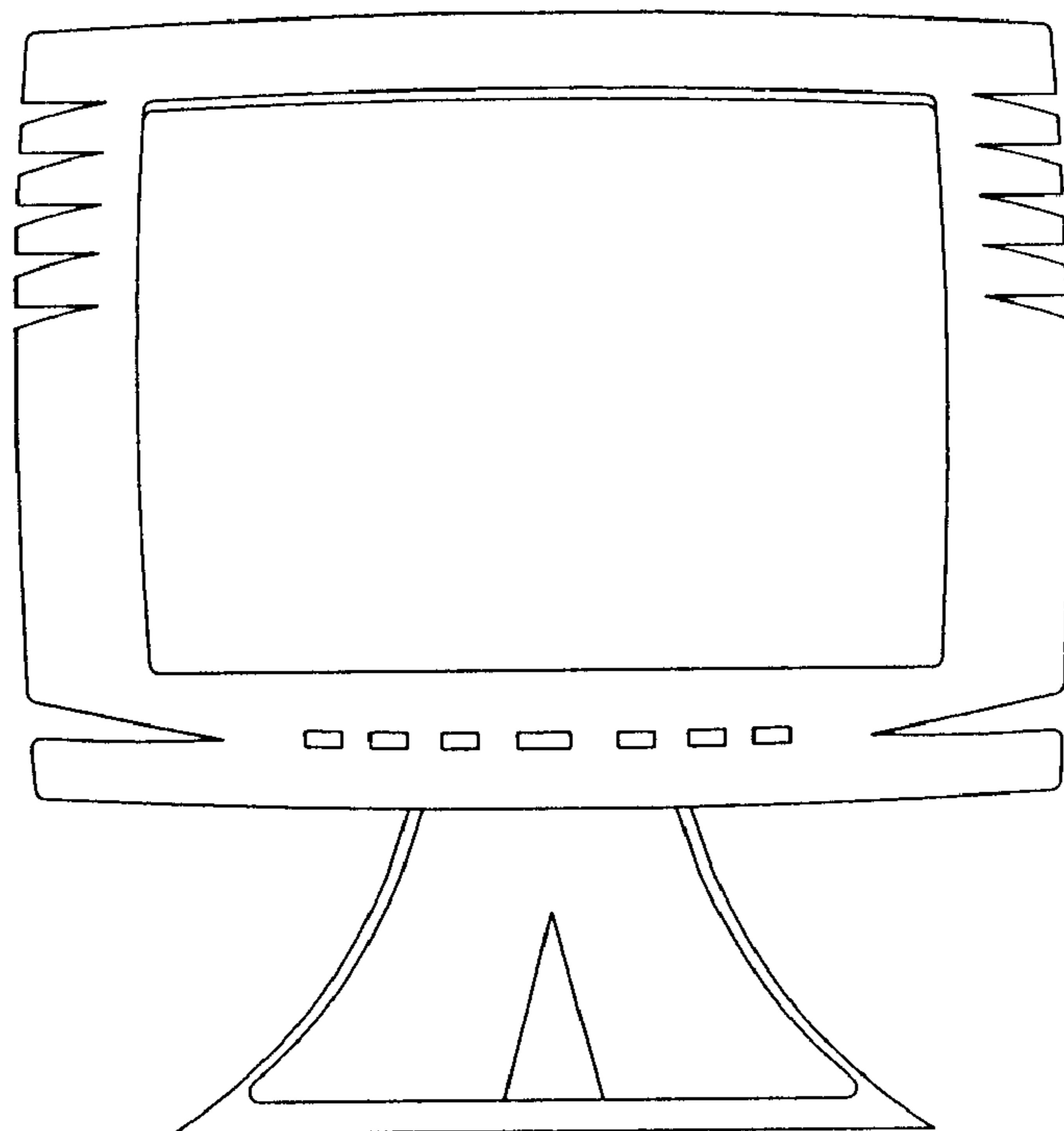


FIG. 3

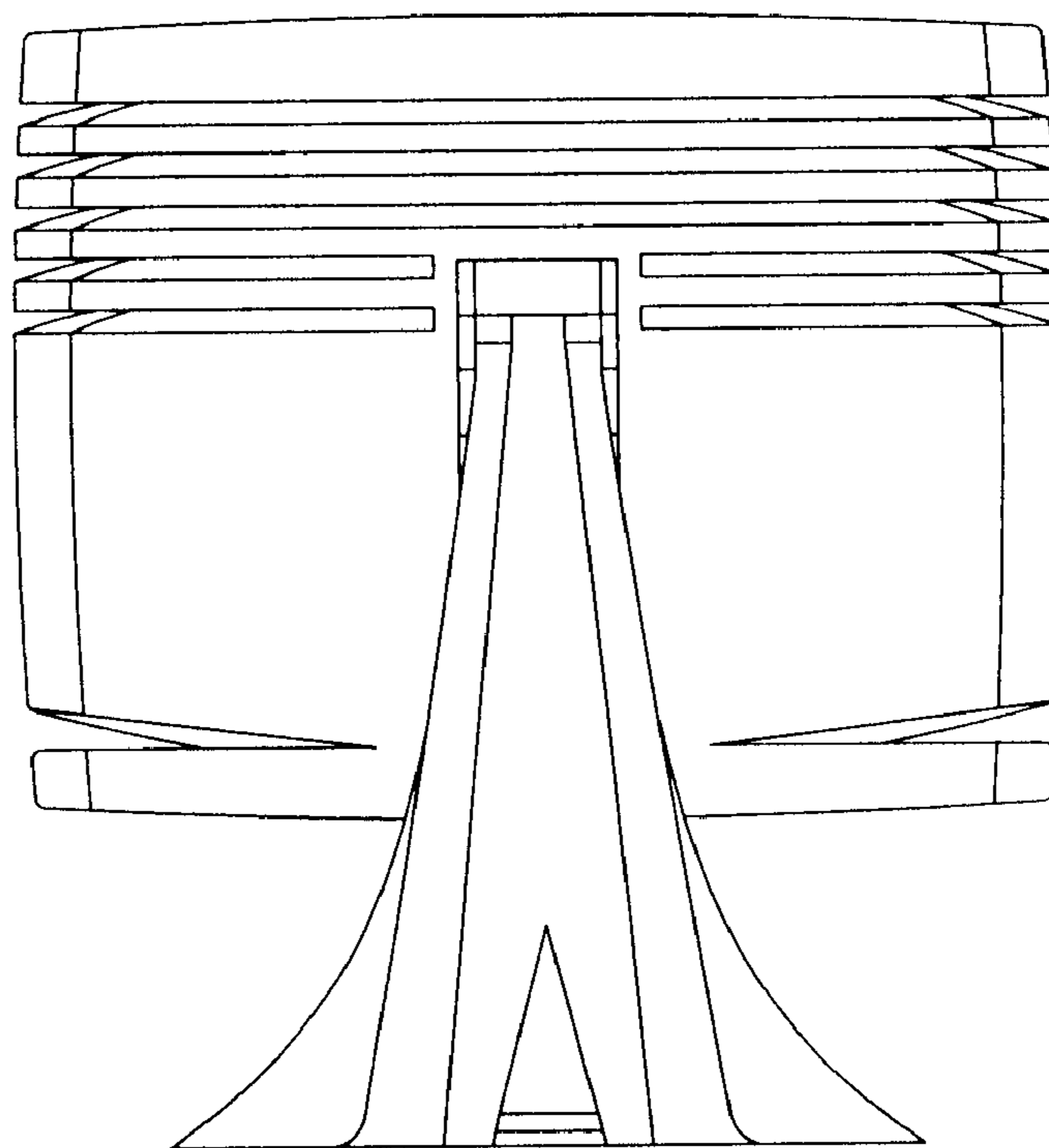


FIG. 4

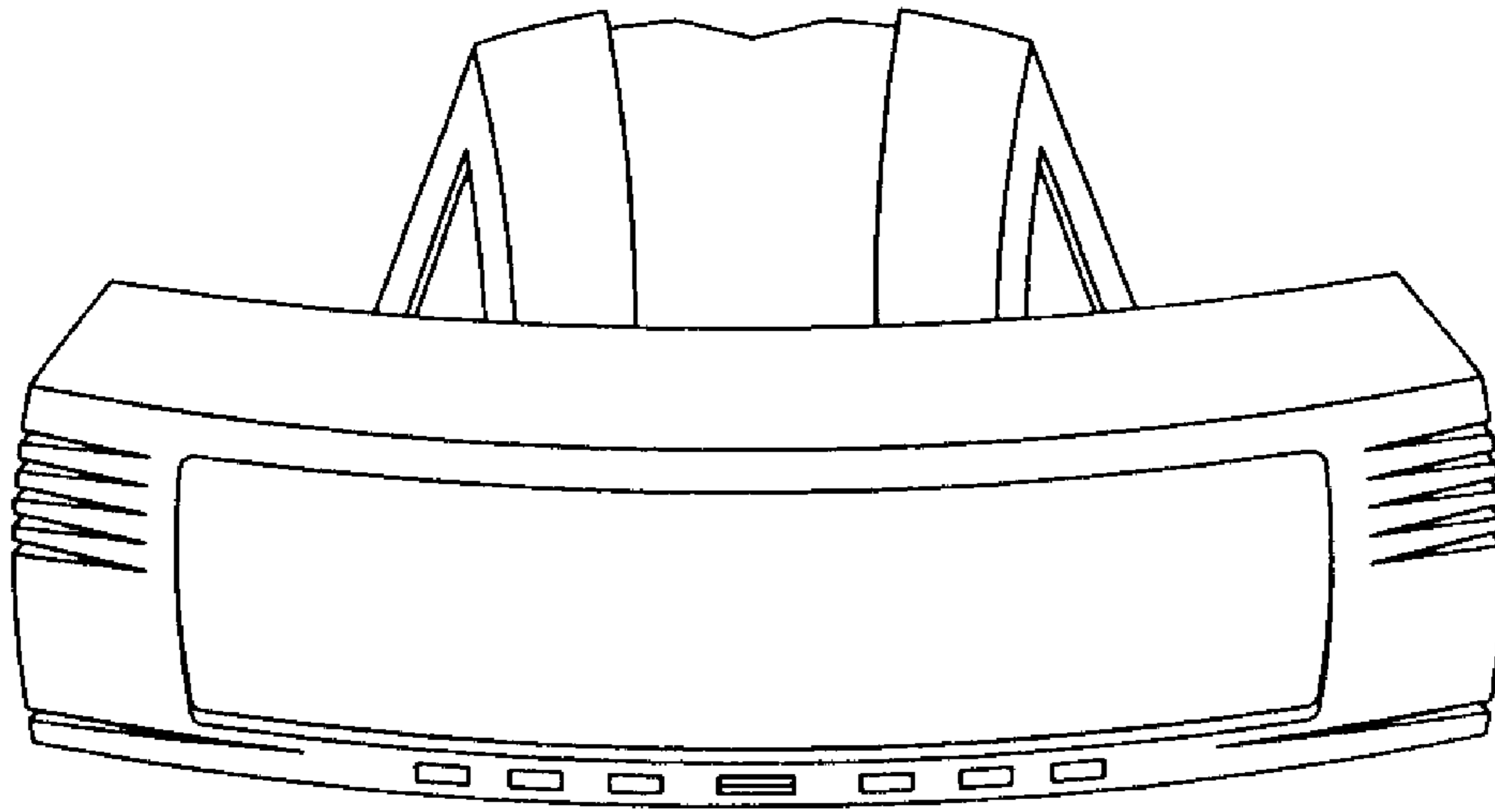


FIG. 5

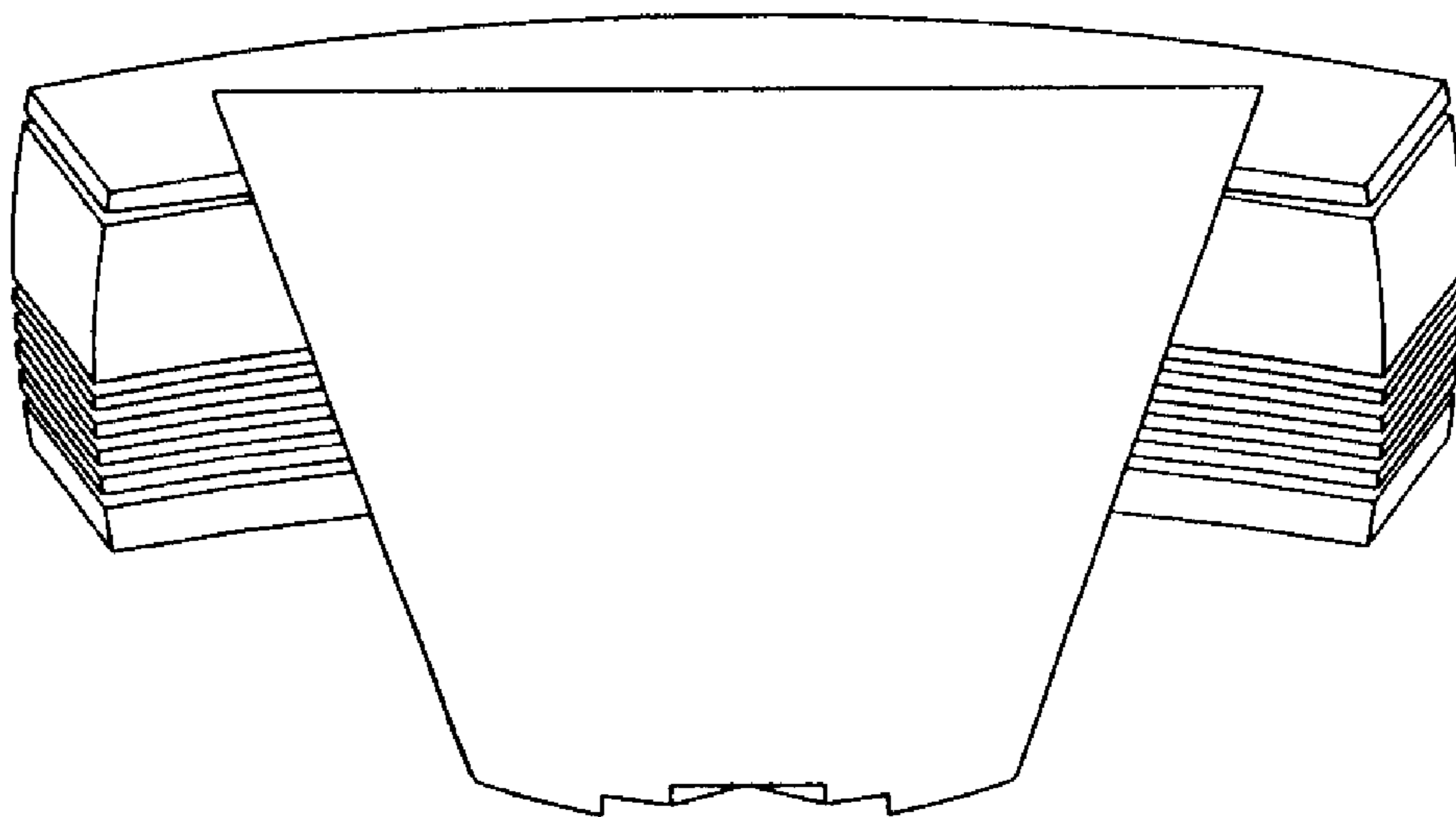


FIG. 6

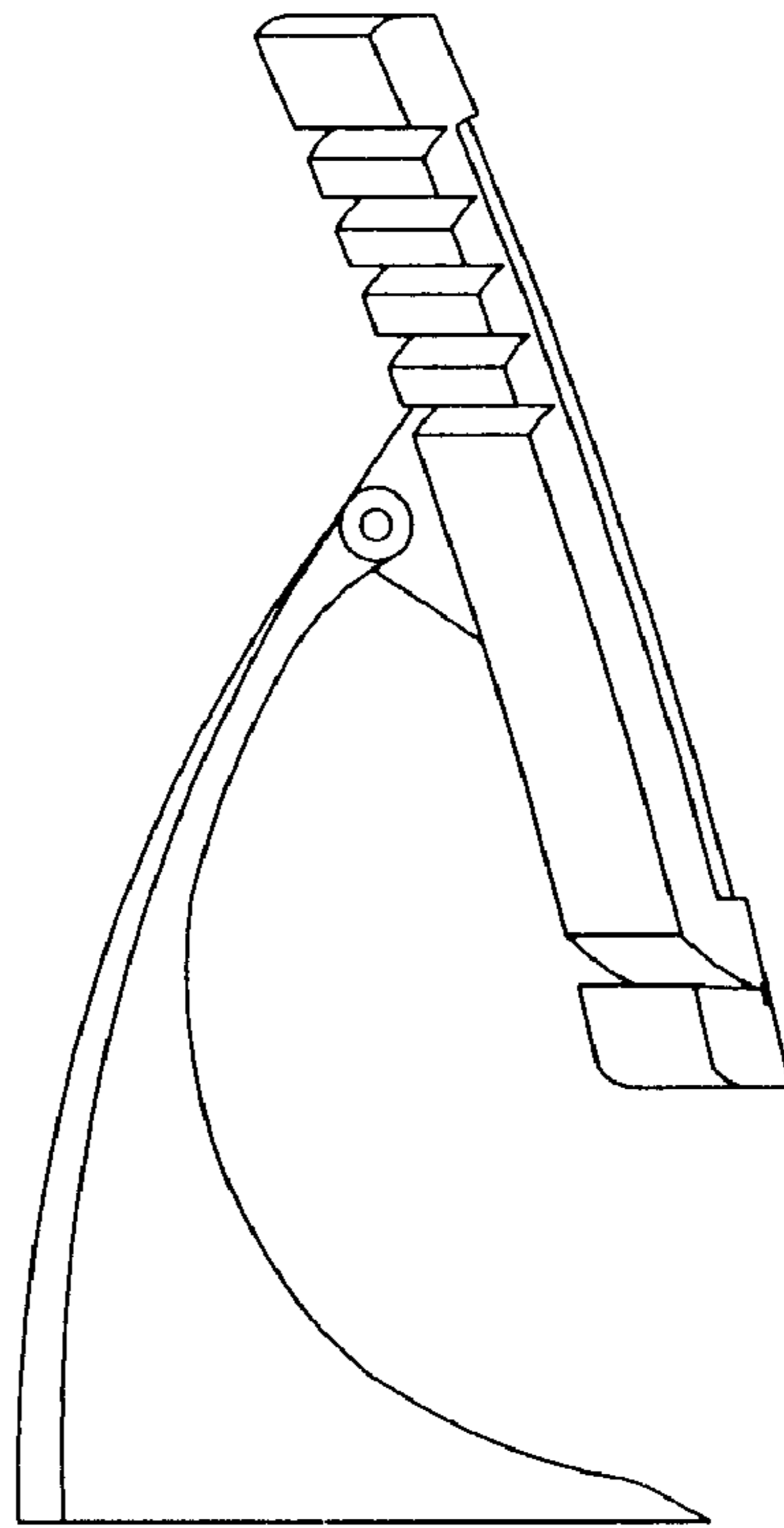


FIG. 7

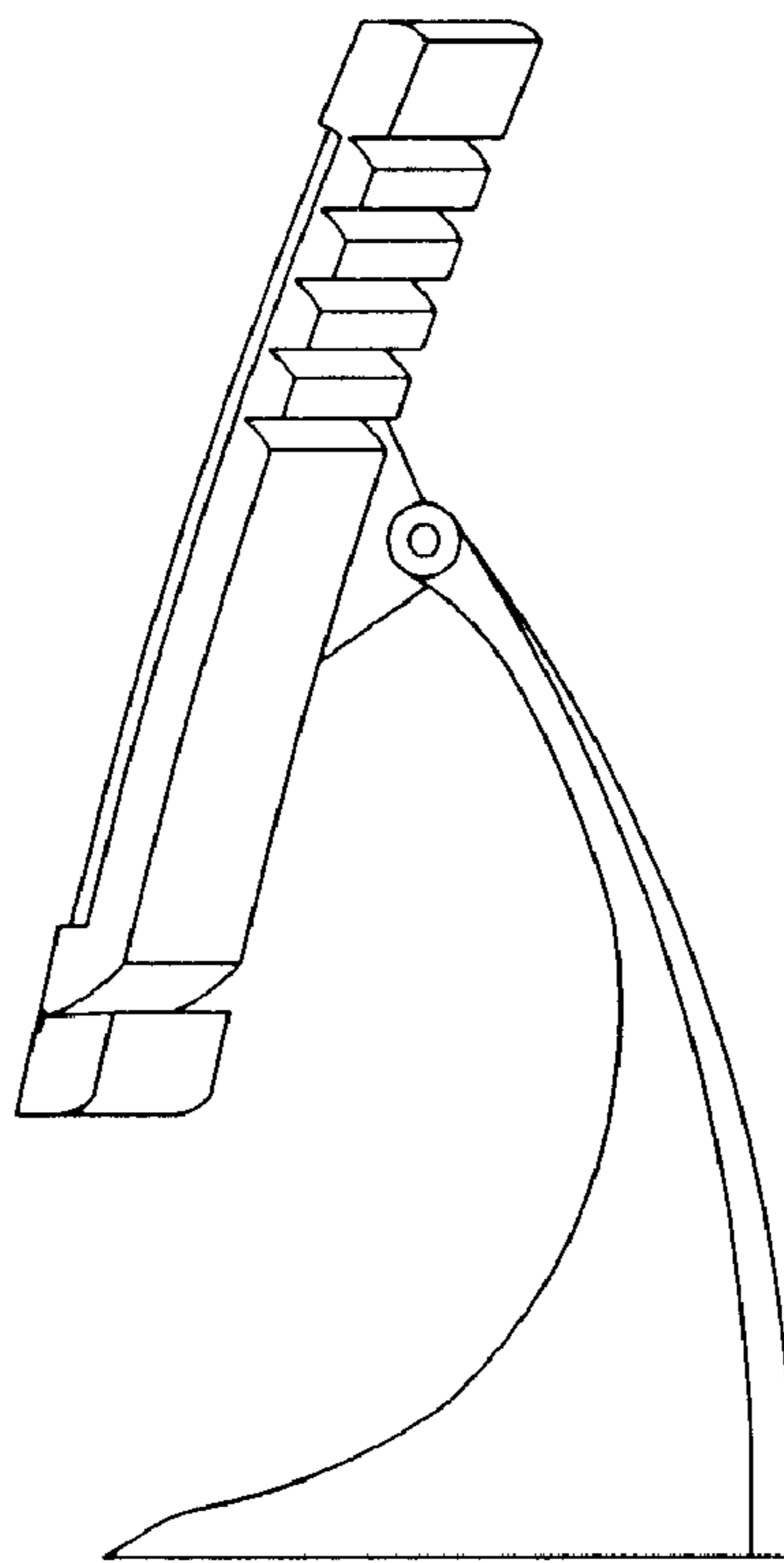


FIG. 8