



US00D522477S

(12) **United States Design Patent**  
**Hoehn et al.**

(10) **Patent No.:** **US D522,477 S**  
(45) **Date of Patent:** **\*\* Jun. 6, 2006**

(54) **TELEVISION SET**  
(75) Inventors: **Holger Hoehn**, Taipei (TW); **Reinier Bloem**, Taipei (TW)  
(73) Assignee: **Hannspree Inc.**, Taipei (TW)  
(\*\*) Term: **14 Years**

D401,297 S \* 11/1998 Fai ..... D21/329  
D412,722 S \* 8/1999 Bagley ..... D21/329  
D425,571 S \* 5/2000 Goto ..... D21/329  
D461,786 S \* 8/2002 Maruyama ..... D14/126  
D473,865 S \* 4/2003 Zuege et al. .... D14/371  
D476,003 S \* 6/2003 Zuege et al. .... D14/371

\* cited by examiner

(21) Appl. No.: **29/229,761**  
(22) Filed: **May 11, 2005**

*Primary Examiner*—Raphael Barkai  
(74) *Attorney, Agent, or Firm*—William E. Pelton, Esq.

(30) **Foreign Application Priority Data**

Nov. 25, 2004 (TW) ..... 93307075

(57) **CLAIM**

The ornamental design for a television set, as shown and described.

(51) **LOC (8) Cl.** ..... **14-03**  
(52) **U.S. Cl.** ..... **D14/126; D14/129**  
(58) **Field of Classification Search** ..... D14/125–134,  
D14/239, 371, 136, 374–377; 312/7.2; 348/836,  
348/838, 180, 184, 325, 739; 341/12; 248/917–924,  
248/465; 345/104, 133, 156, 168, 87, 173;  
720/605, 669, 600, 655; 369/99, 197; 455/344–347  
See application file for complete search history.

**DESCRIPTION**

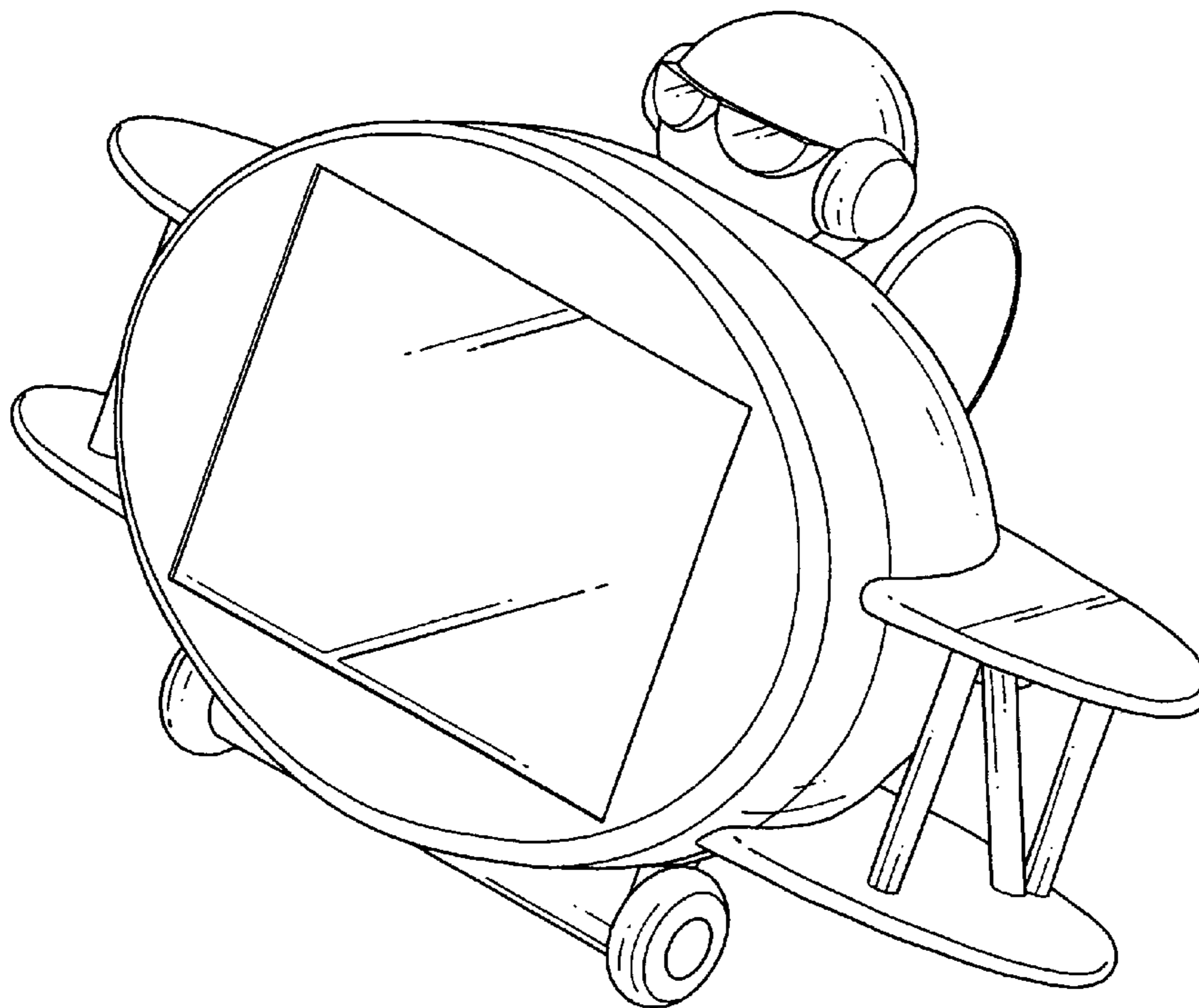
FIG. 1 is a perspective view of a television set showing our new design;  
FIG. 2 is a front view thereof;  
FIG. 3 is a rear view thereof;  
FIG. 4 is a left view thereof;  
FIG. 5 is a right view thereof;  
FIG. 6 is a top view thereof; and,  
FIG. 7 is a bottom view thereof.

(56) **References Cited**

**U.S. PATENT DOCUMENTS**

D265,574 S \* 7/1982 Nagode ..... D21/450

**1 Claim, 6 Drawing Sheets**



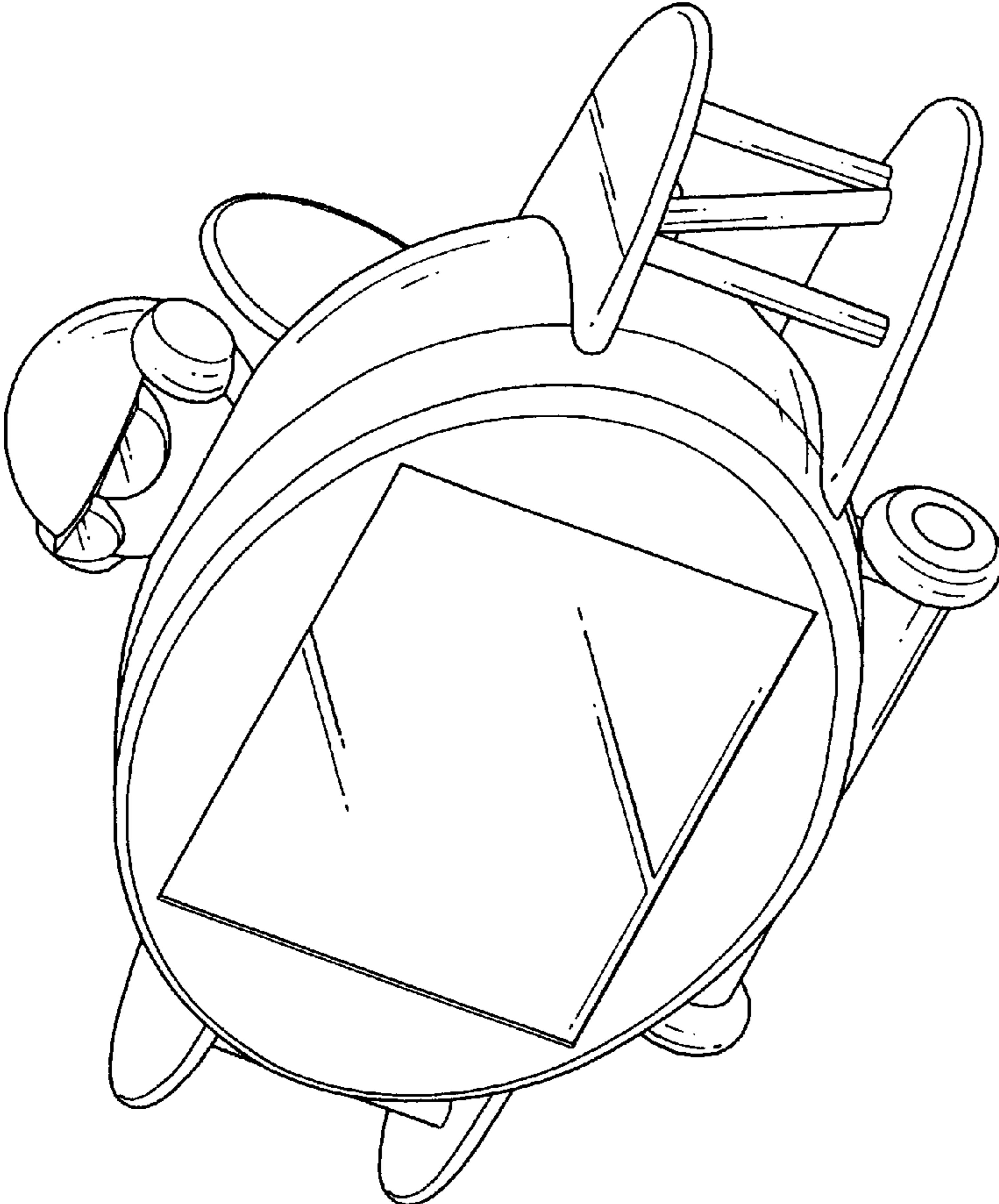


FIG.1

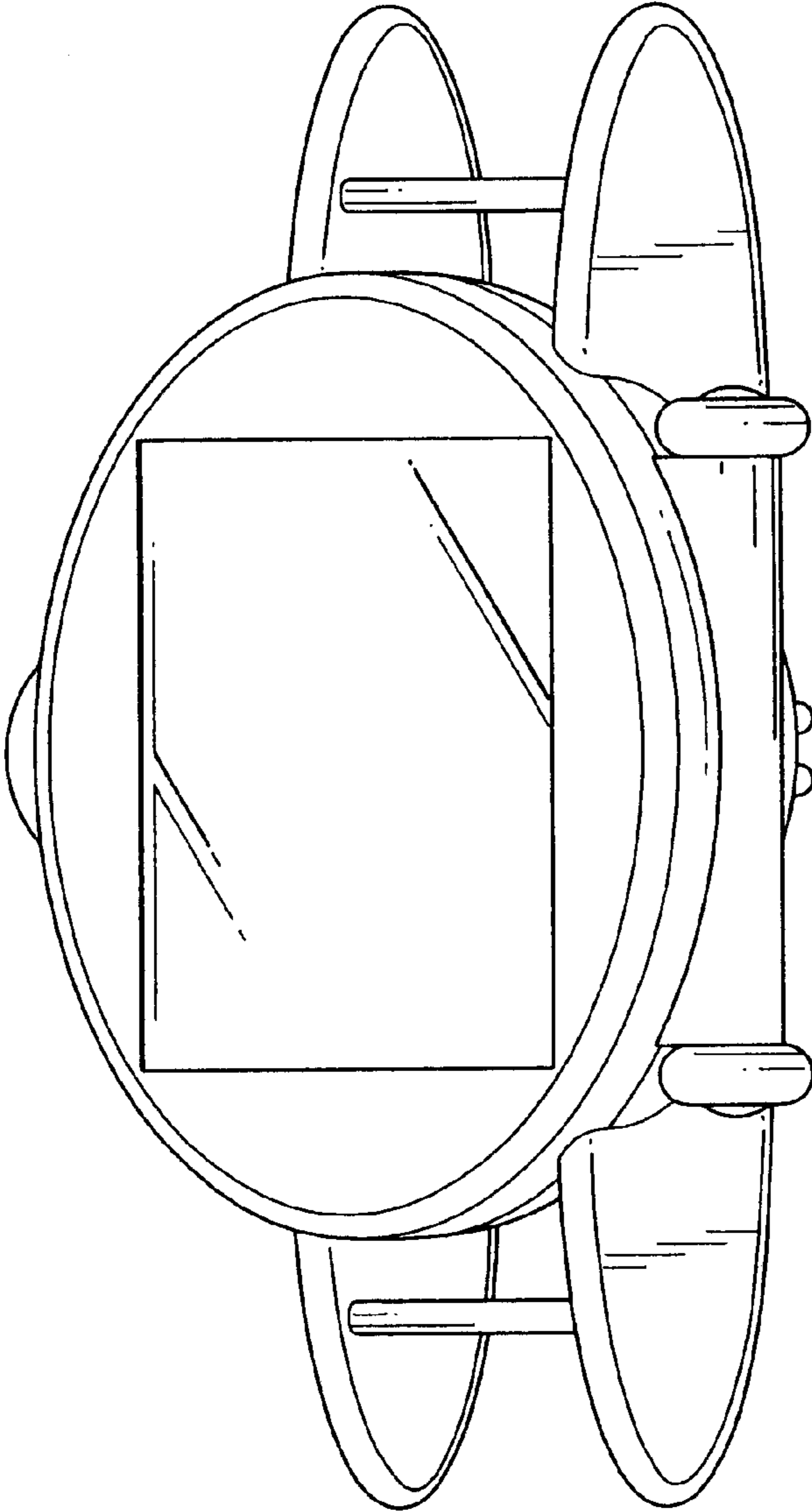


FIG. 2

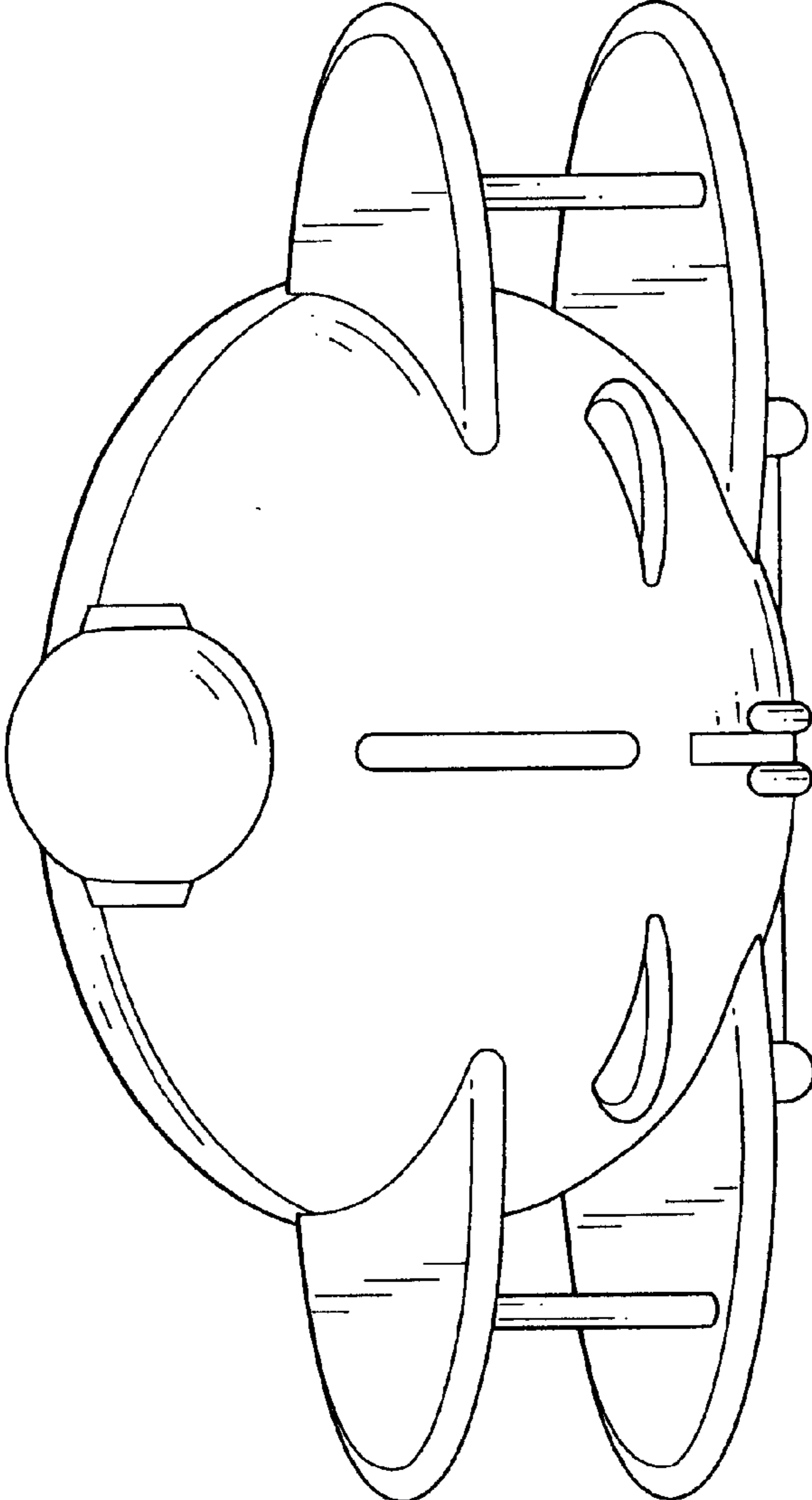


FIG.3

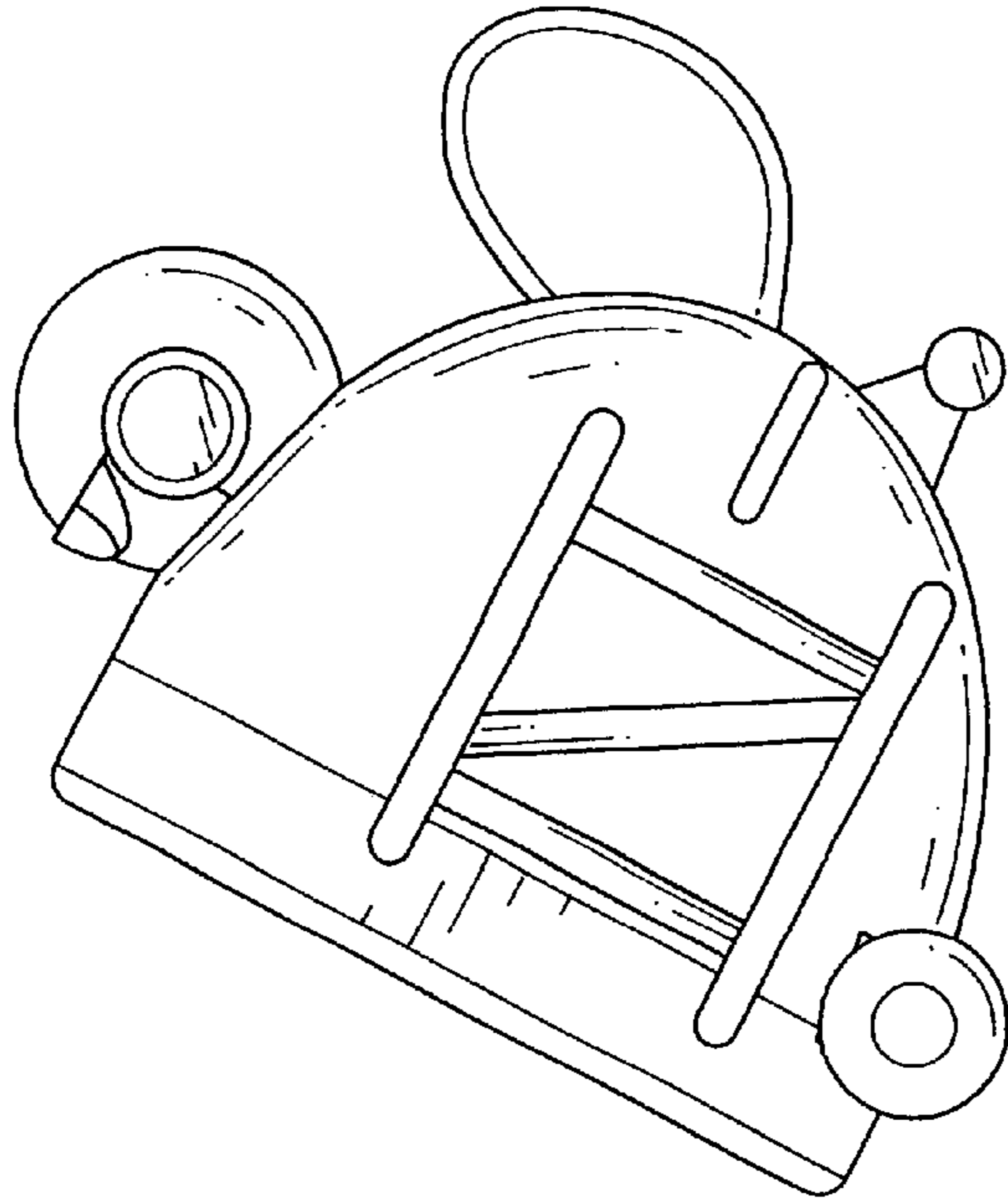


FIG. 5

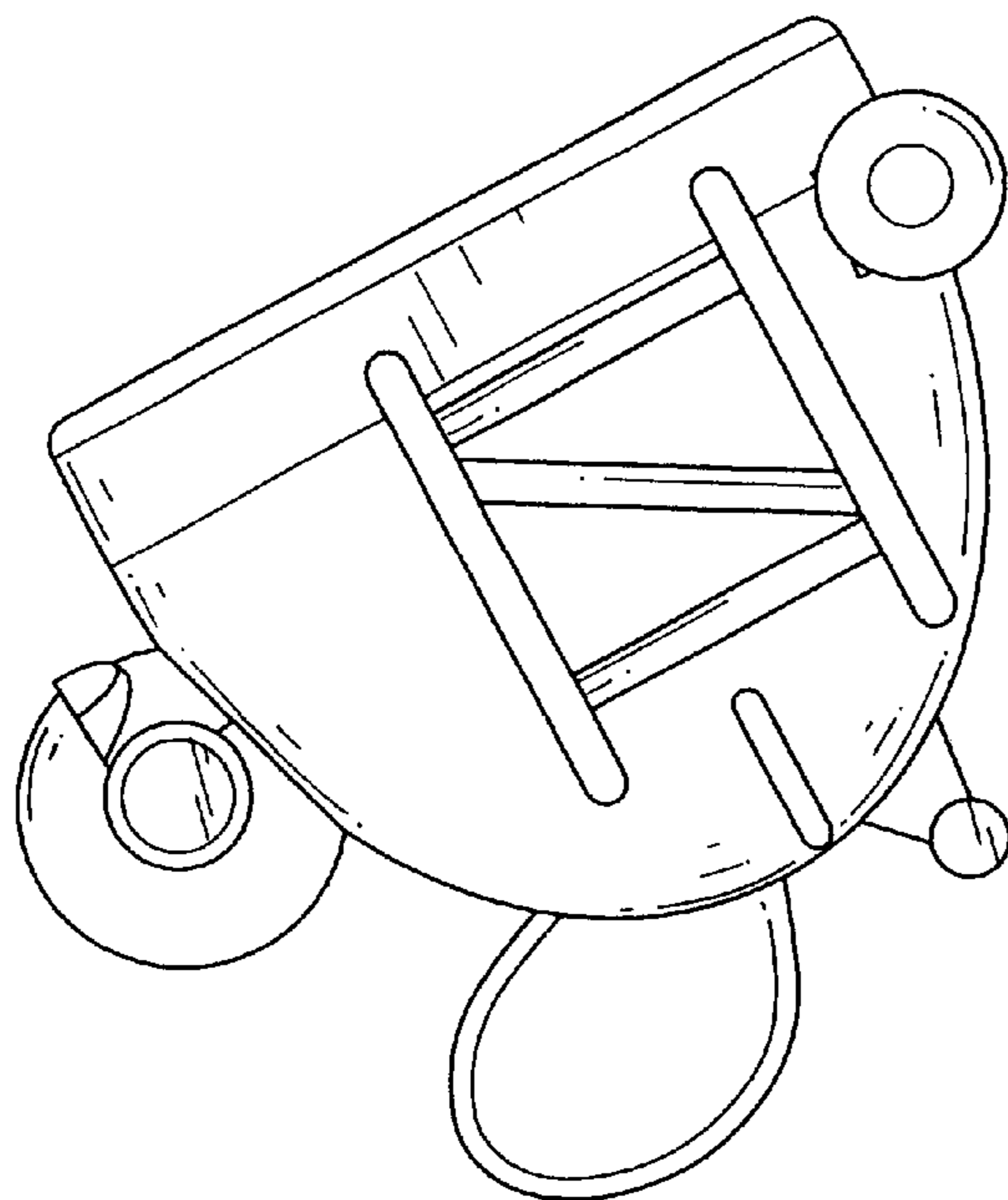


FIG. 4

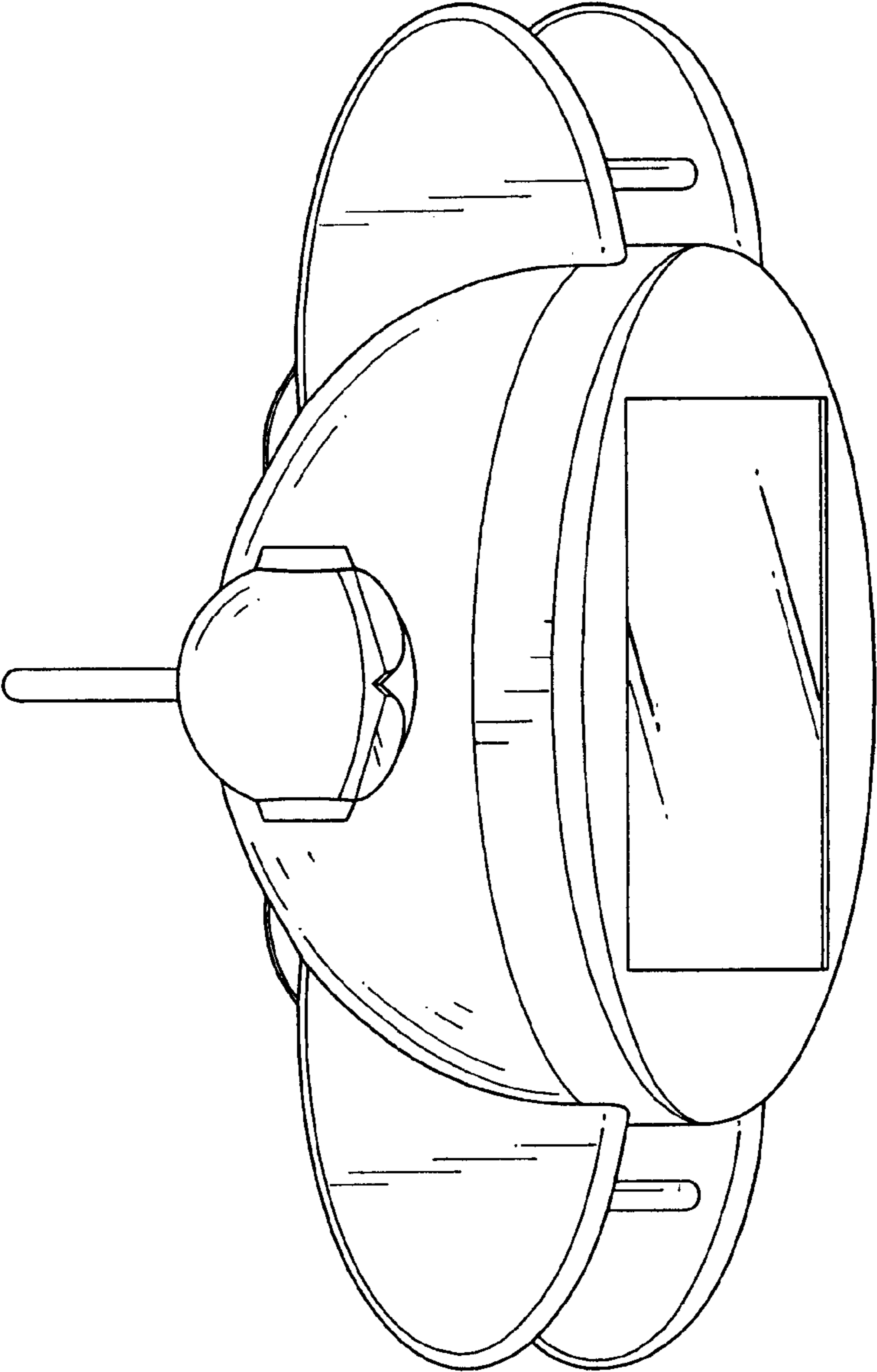


FIG. 6

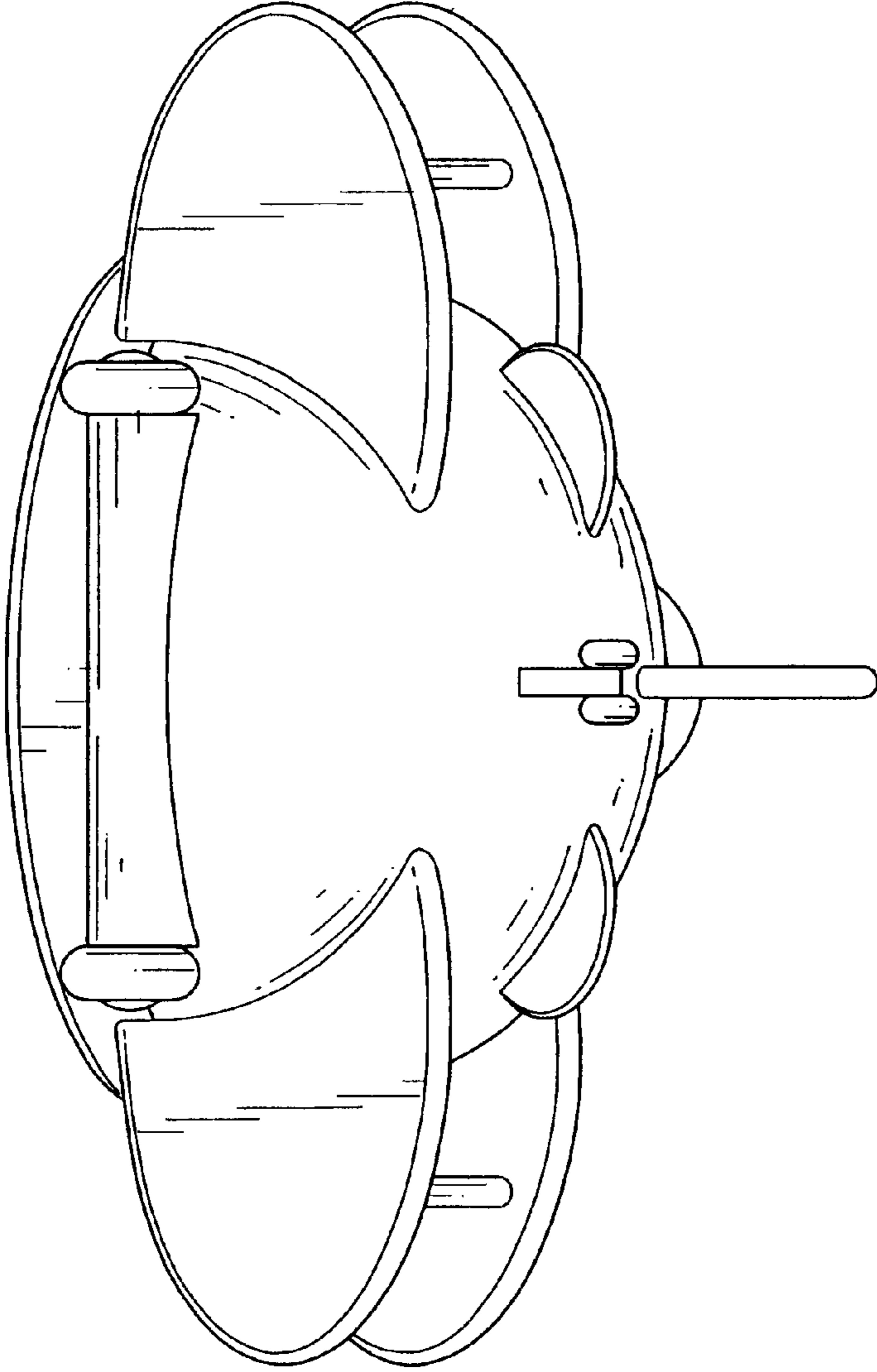


FIG. 7