

US00D522475S

(12) **United States Design Patent**  
**Hoehn et al.**

(10) **Patent No.:** **US D522,475 S**  
(45) **Date of Patent:** **\*\* Jun. 6, 2006**

(54) **TELEVISION SET**  
(75) Inventors: **Holger Hoehn**, Taipei (TW); **Reinier Bloem**, Taipei (TW)

D321,730 S \* 11/1991 McElhaney ..... D17/11  
D326,158 S \* 5/1992 Katz et al. .... D21/411  
6,585,554 B1 \* 7/2003 Hewitt et al. .... 446/146

\* cited by examiner

(73) Assignee: **Hannspree Inc.**, Taipei (TW)

(\*\*) Term: **14 Years**

*Primary Examiner*—Raphael Barkai  
(74) *Attorney, Agent, or Firm*—Thomas, Kayden, Horstemeyer & Risley

(21) Appl. No.: **29/229,389**

(22) Filed: **May 6, 2005**

(57) **CLAIM**

(30) **Foreign Application Priority Data**

The ornamental design for a television set, as shown and described.

Dec. 13, 2004 (TW) ..... 93307634

**DESCRIPTION**

(51) **LOC (8) Cl.** ..... **14-03**

(52) **U.S. Cl.** ..... **D14/126; D14/129**

(58) **Field of Classification Search** ..... D14/125–134,  
D14/239, 371, 136, 374–377; 312/7.2; 348/836,  
348/838, 180, 184, 325, 739; 341/12; 248/917–924,  
248/465; 345/104, 133, 156, 168, 87, 173;  
720/605, 669, 600, 655; 369/99, 197; 455/344–347  
See application file for complete search history.

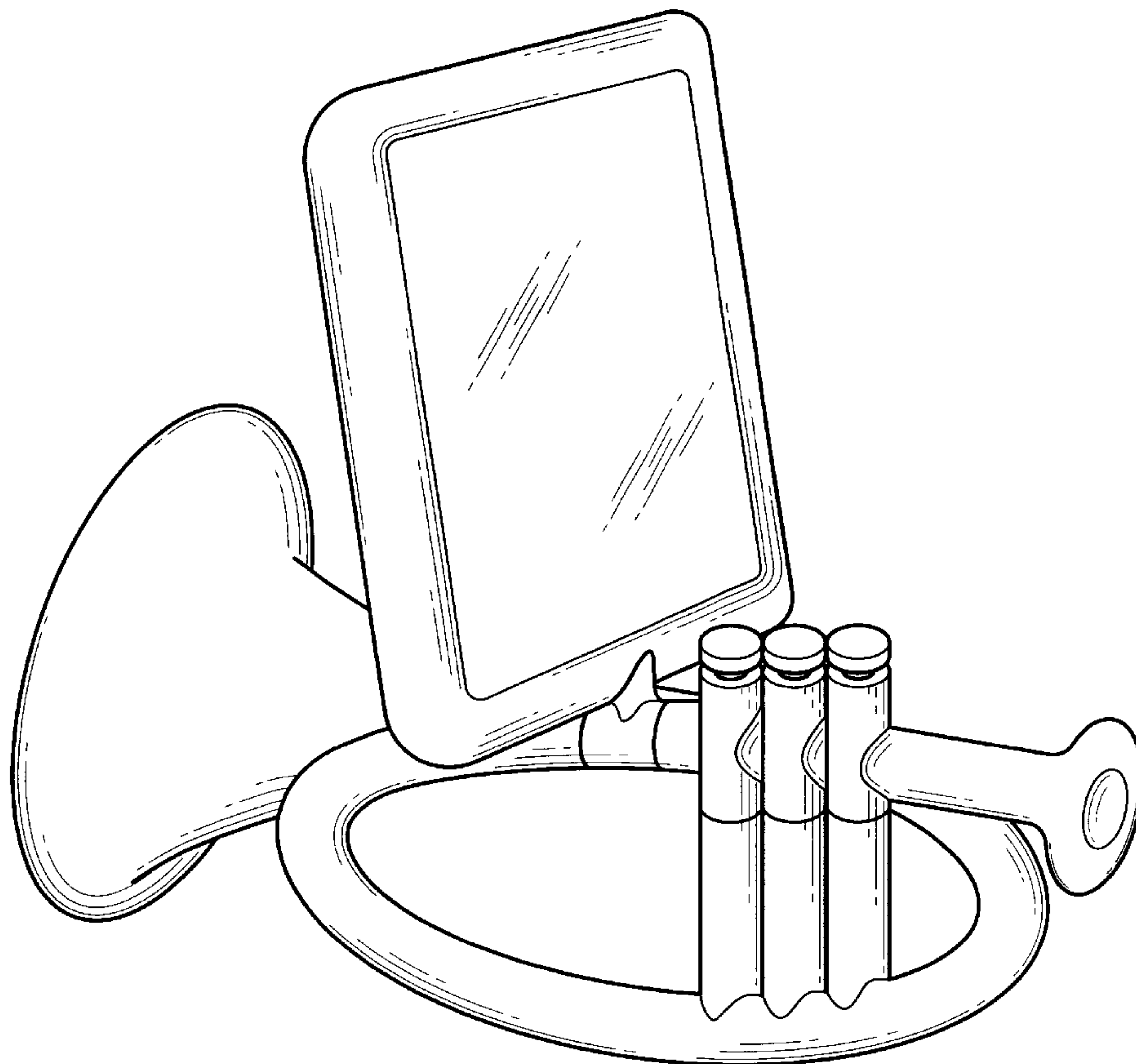
FIG. 1 is a front perspective view thereof;  
FIG. 2 is a front elevational view thereof;  
FIG. 3 is a rear elevational view thereof;  
FIG. 4 is a left side elevational view thereof;  
FIG. 5 is a right side elevational view thereof;  
FIG. 6 is a top plan view thereof; and,  
FIG. 7 is a bottom plan view thereof.

(56) **References Cited**

**U.S. PATENT DOCUMENTS**

D273,404 S \* 4/1984 Takahashi ..... D21/411

**1 Claim, 7 Drawing Sheets**



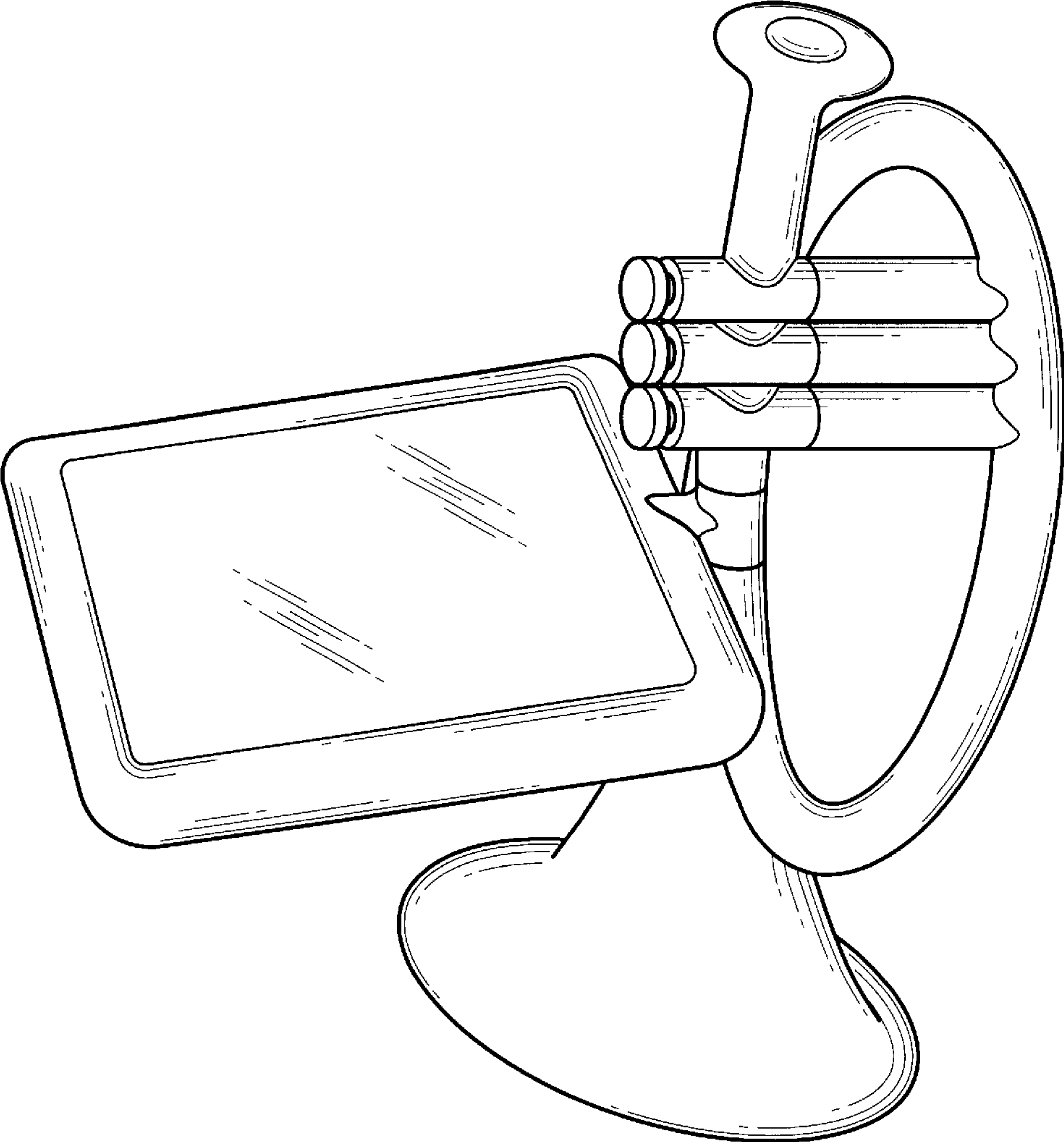


FIG. 1

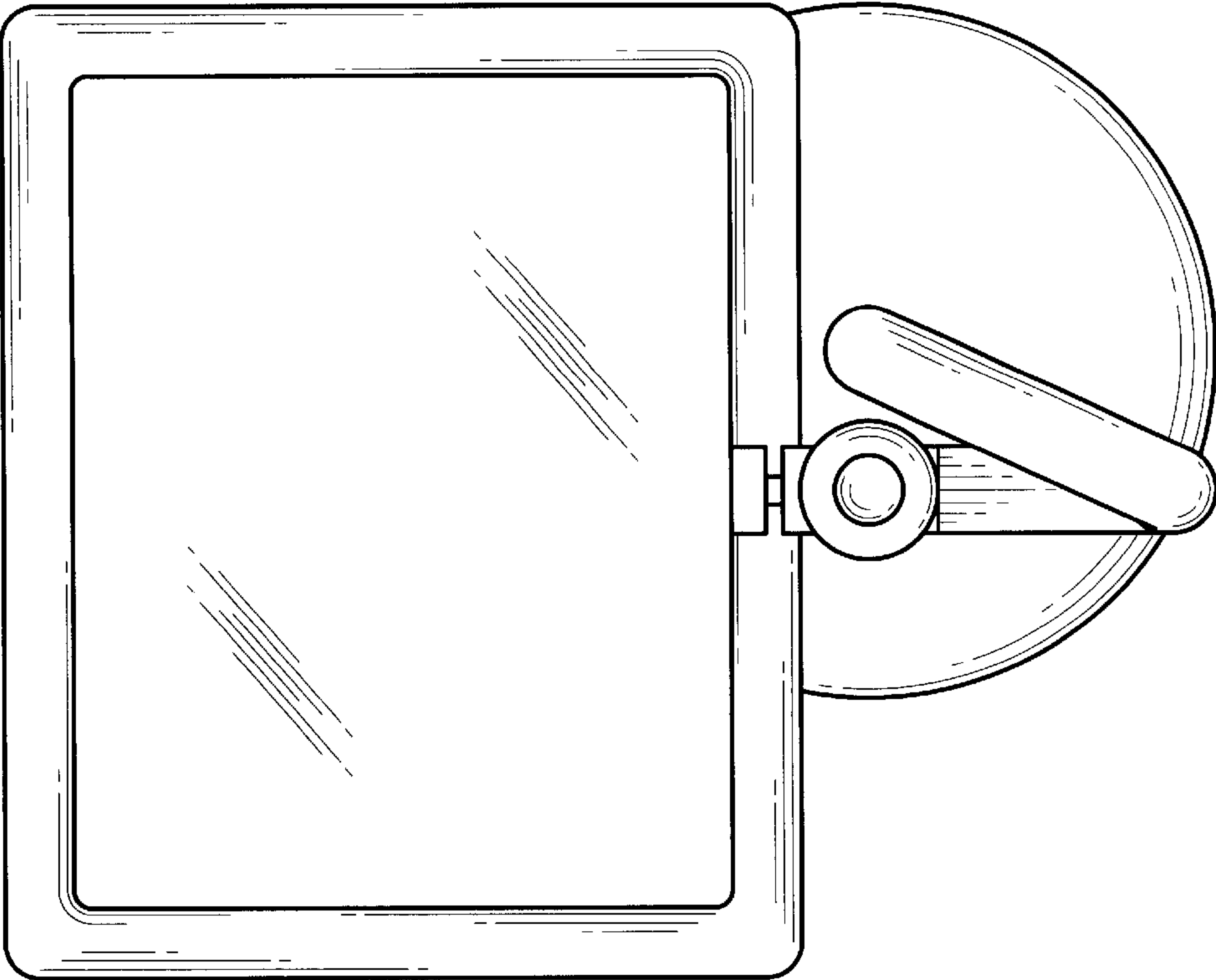


FIG. 2

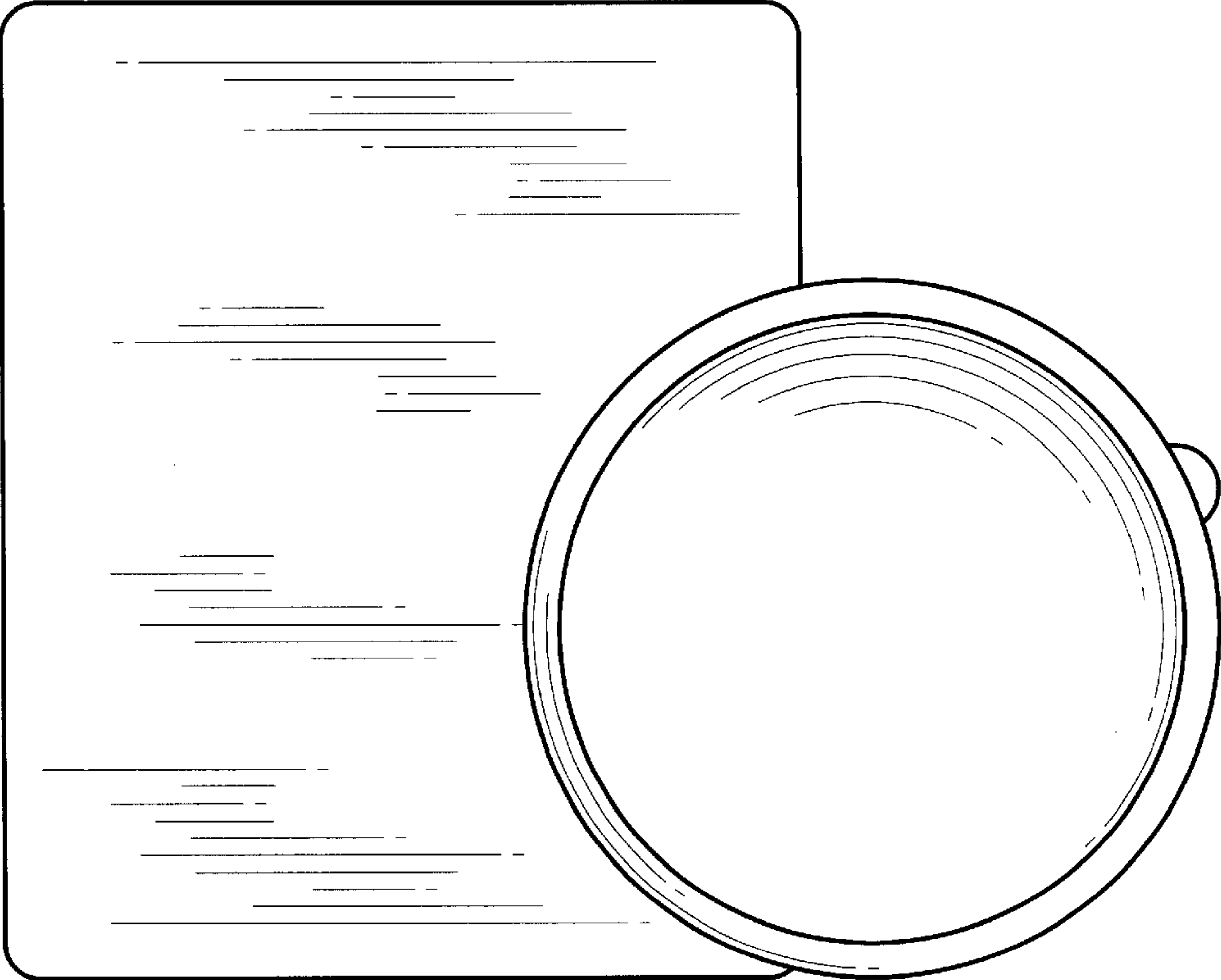


FIG. 3

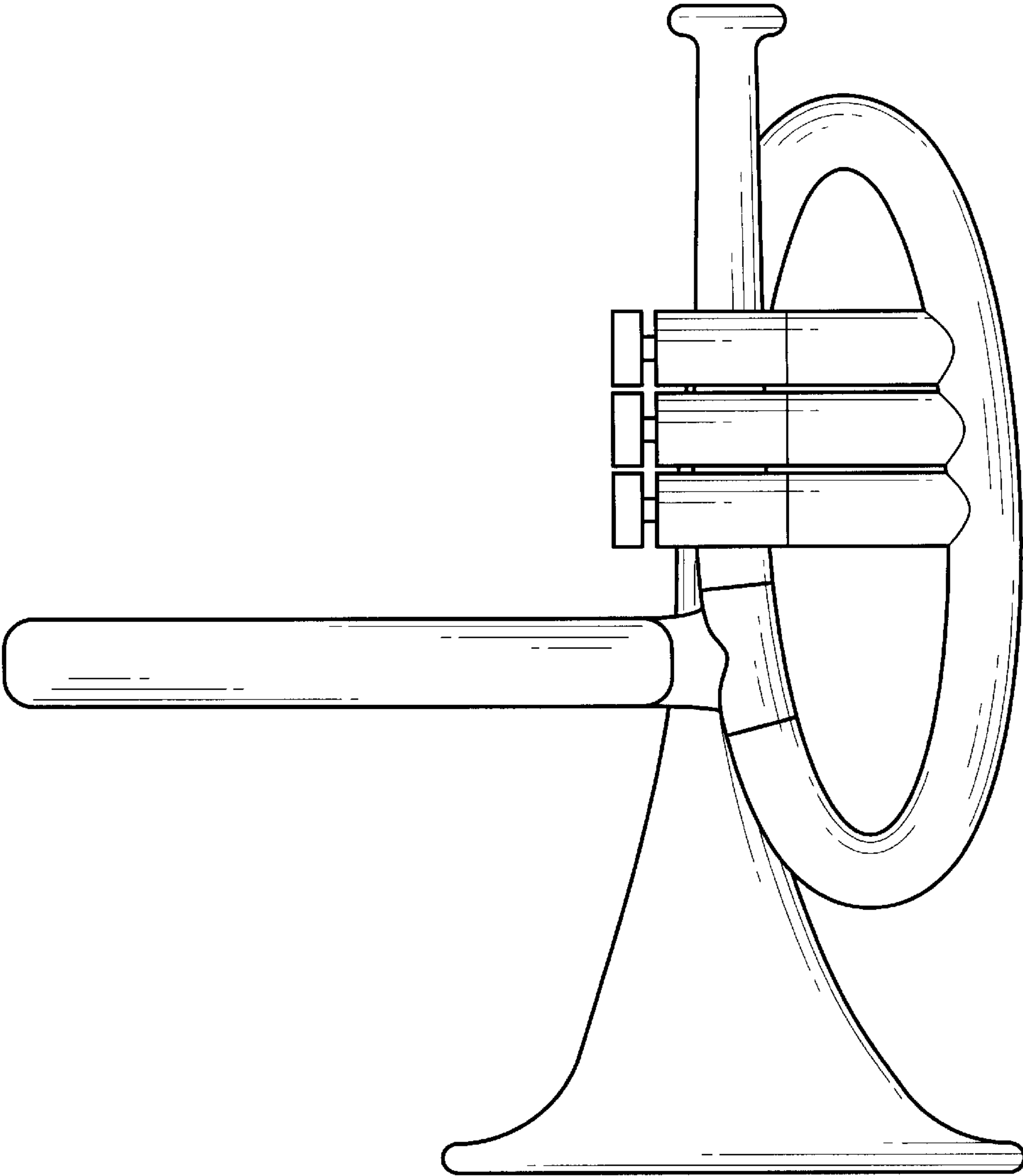


FIG. 4

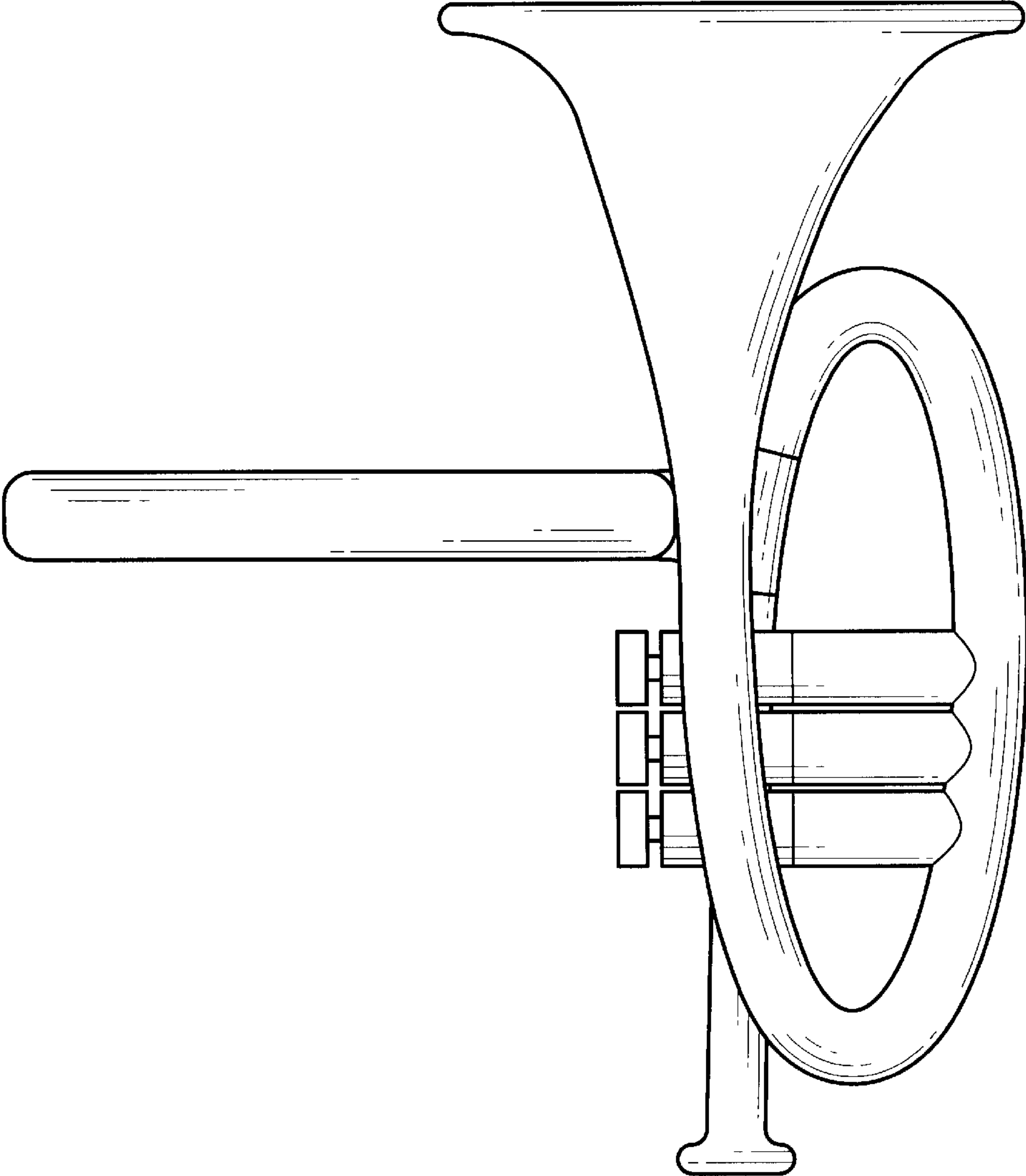


FIG. 5

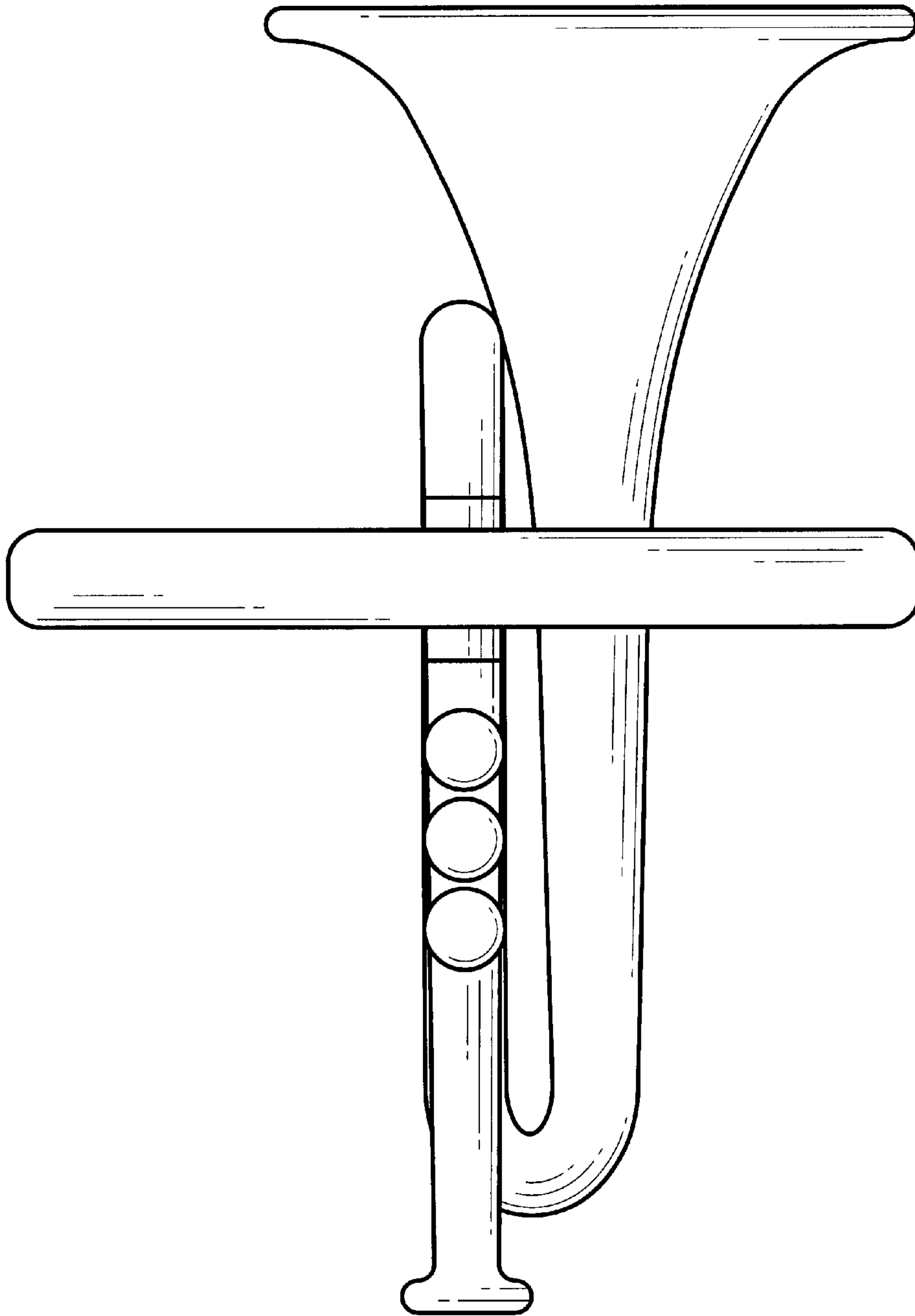


FIG. 6

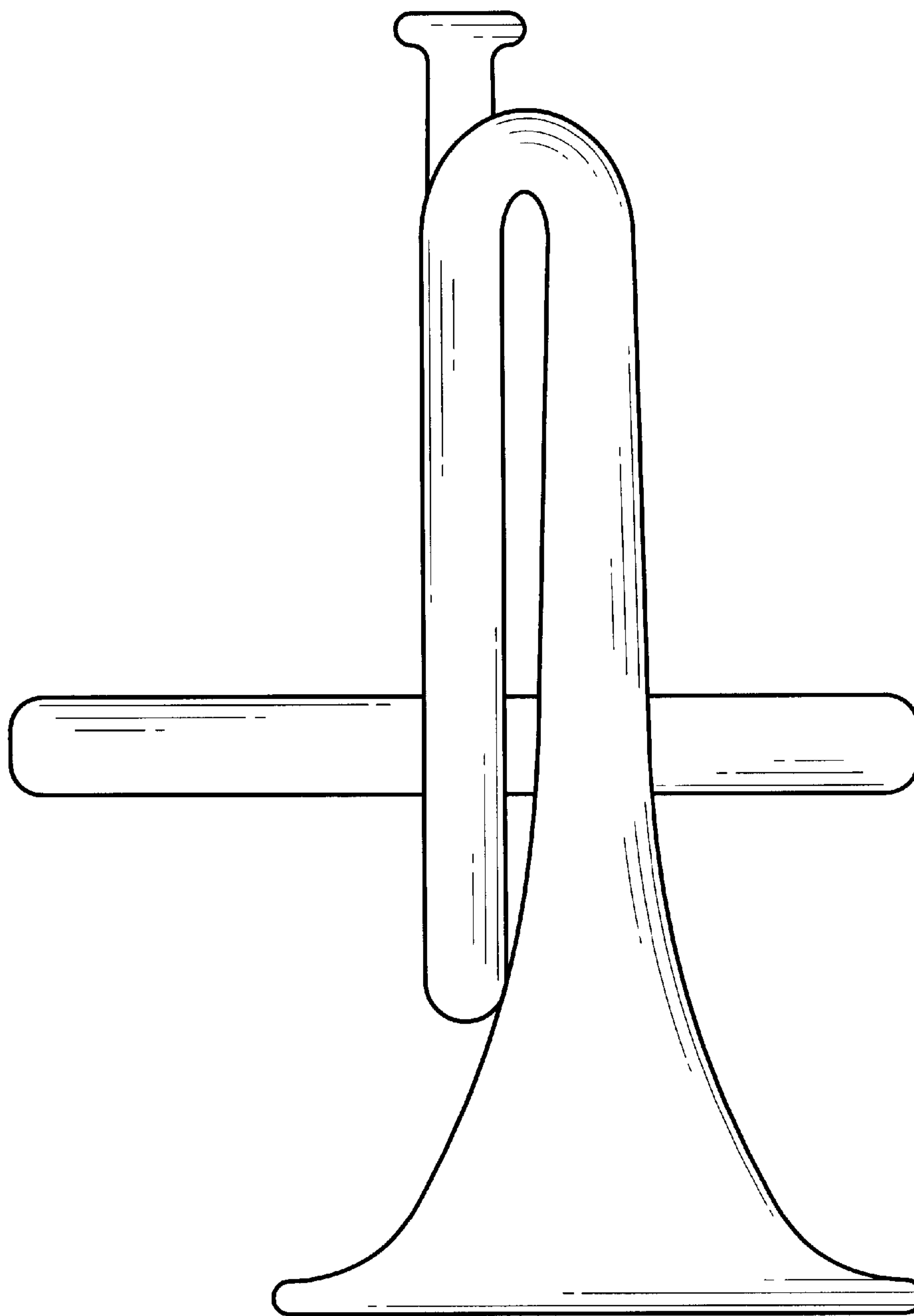


FIG. 7