

US00D522468S

(12) **United States Design Patent**
Song

(10) **Patent No.:** **US D522,468 S**

(45) **Date of Patent:** **** Jun. 6, 2006**

(54) **LIGHT-EMITTING DIODE**

(75) **Inventor:** **Young Jae Song, Suwon (KR)**

(73) **Assignee:** **Samsung Electro-Mechanics Co., Ltd. (KR)**

(**) **Term:** **14 Years**

(21) **Appl. No.:** **29/231,960**

(22) **Filed:** **Jun. 13, 2005**

(30) **Foreign Application Priority Data**

Dec. 27, 2004 (KR) 30-2004-0040145

(51) **LOC (8) Cl.** **13-03**

(52) **U.S. Cl.** **D13/180**

(58) **Field of Classification Search** D13/180;
D26/2; 257/79, 80, 81, 82, 88, 89, 95, 98,
257/100, 433, 434, 666; 313/483, 498, 500;
361/820; 362/235, 555, 800; 372/45
See application file for complete search history.

(56) **References Cited**

U.S. PATENT DOCUMENTS

6,586,721 B1 * 7/2003 Estevez-Garcia 250/221
6,707,069 B1 * 3/2004 Song et al. 257/79

D490,387 S	*	5/2004	Yagi	D13/182
D491,899 S	*	6/2004	Yagi	D13/180
D494,550 S	*	8/2004	Hoshiba	D13/180
D495,304 S	*	8/2004	Kim et al.	D13/180
D505,396 S	*	5/2005	Hoshiba	D13/180
D505,398 S	*	5/2005	Nakashima	D13/180
D505,661 S	*	5/2005	Suenaga	D13/180
D511,329 S	*	11/2005	Suenaga	D13/180
D512,029 S	*	11/2005	Kim et al.	D13/180

* cited by examiner

Primary Examiner—Stella Reid

Assistant Examiner—Selina Sikder

(74) *Attorney, Agent, or Firm*—The Webb Law Firm

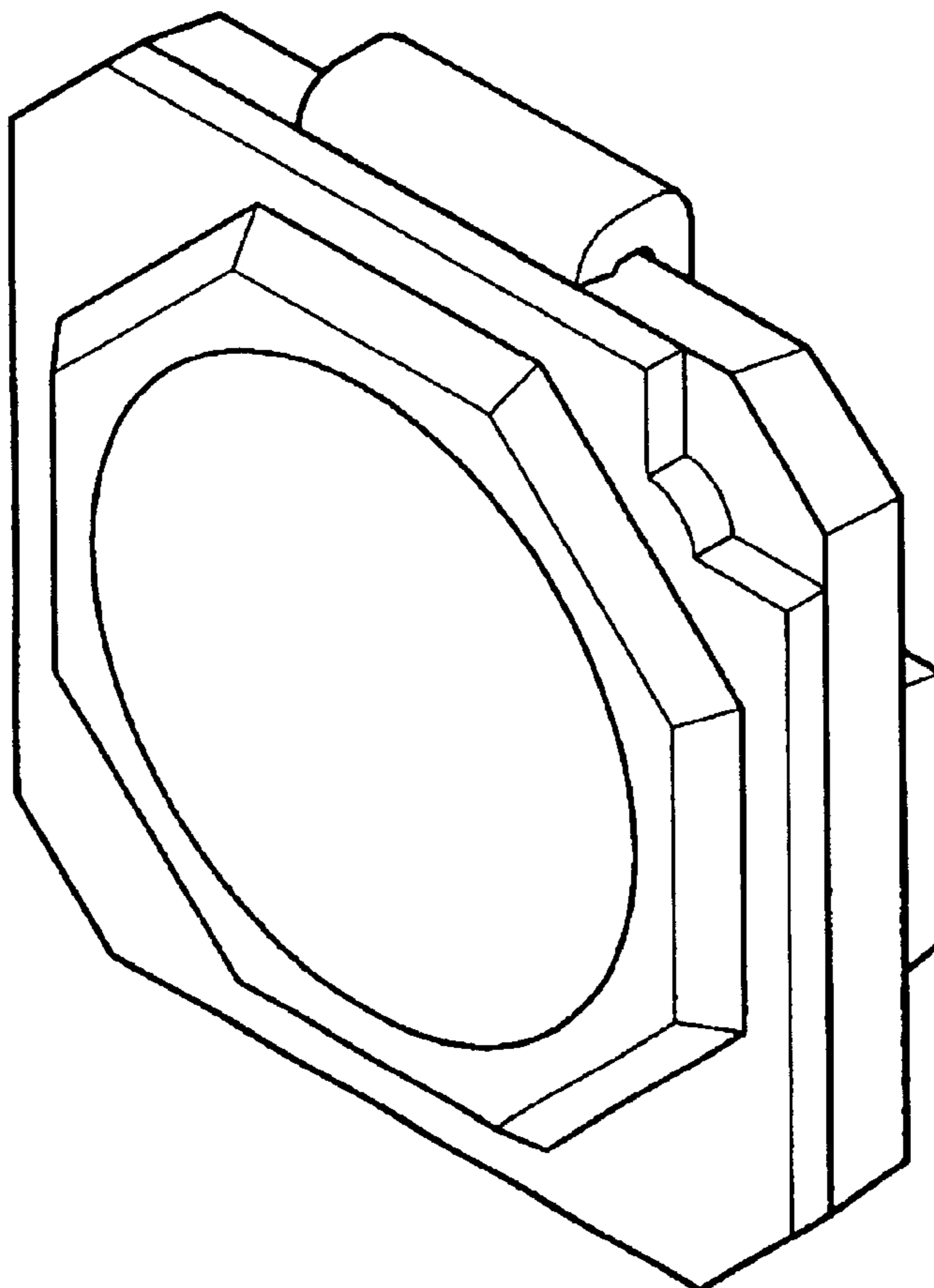
(57) **CLAIM**

The ornamental design for a light-emitting diode, as shown and described.

DESCRIPTION

FIG. 1 is a perspective view of a light-emitting diode;
FIG. 2 is a front view thereof;
FIG. 3 is a rear view thereof;
FIG. 4 is a left side view thereof;
FIG. 5 is a right side view thereof;
FIG. 6 is a top plan view thereof; and,
FIG. 7 is a bottom view thereof.

1 Claim, 3 Drawing Sheets



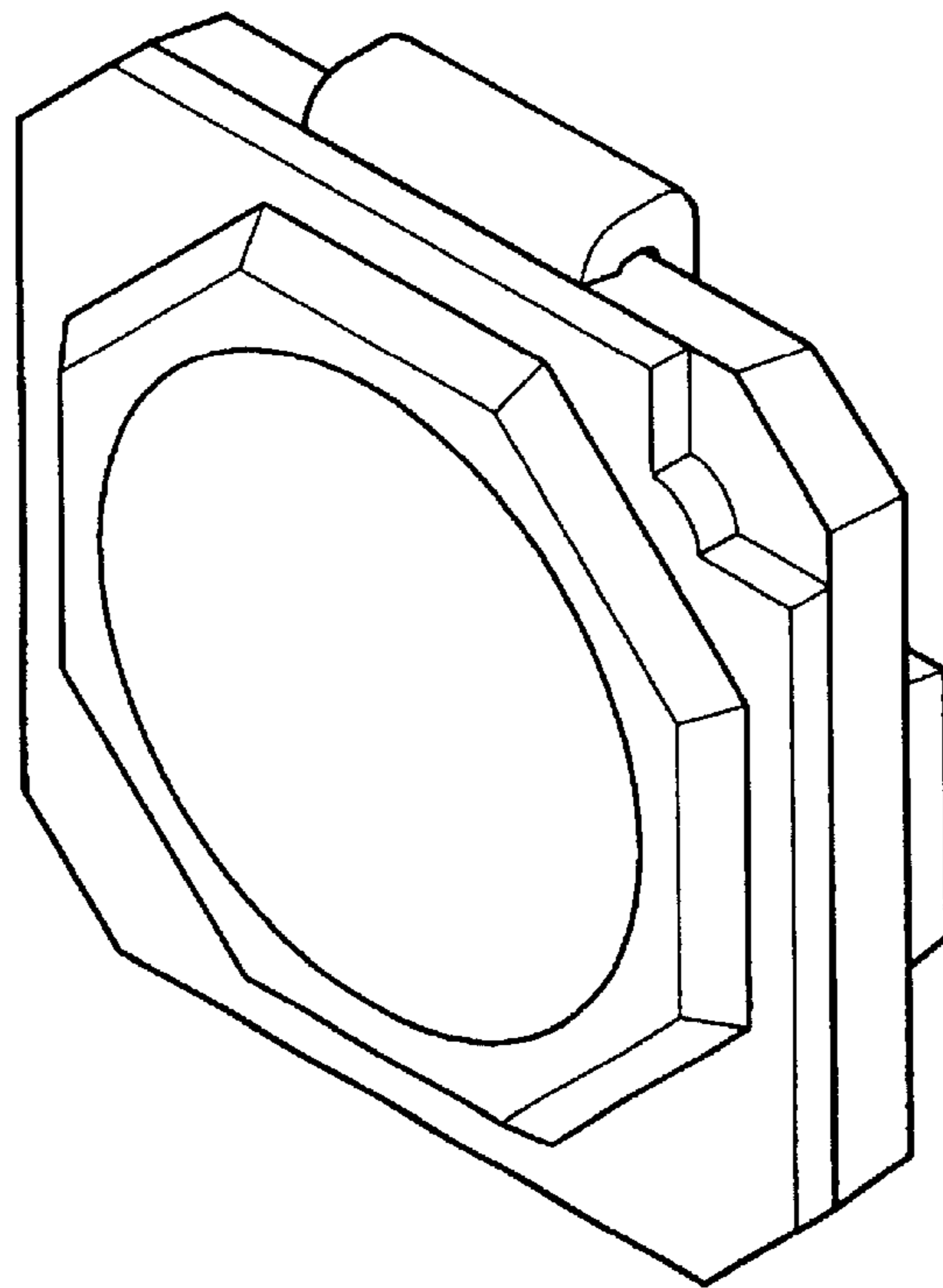


FIG. 1

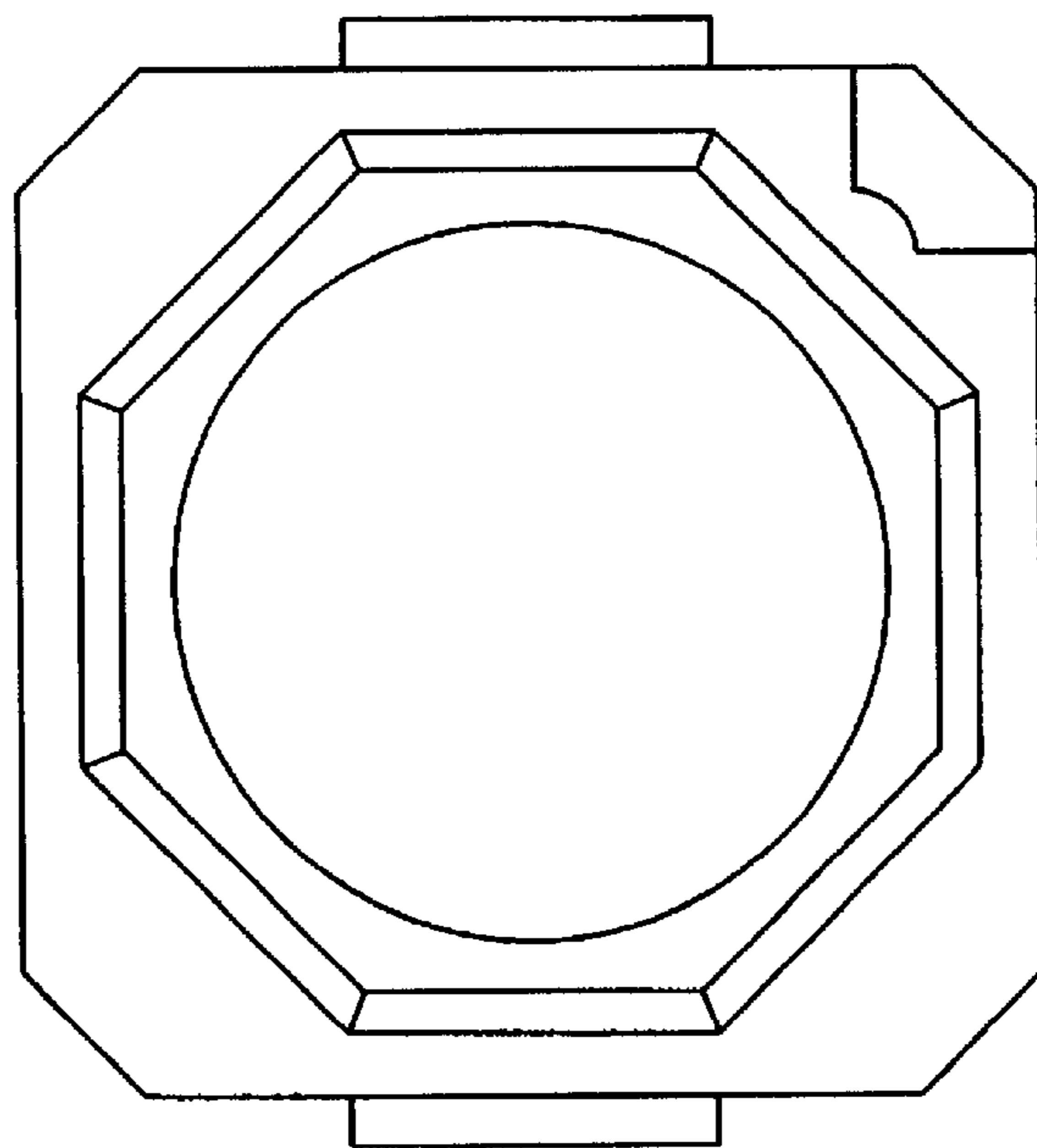


FIG. 2

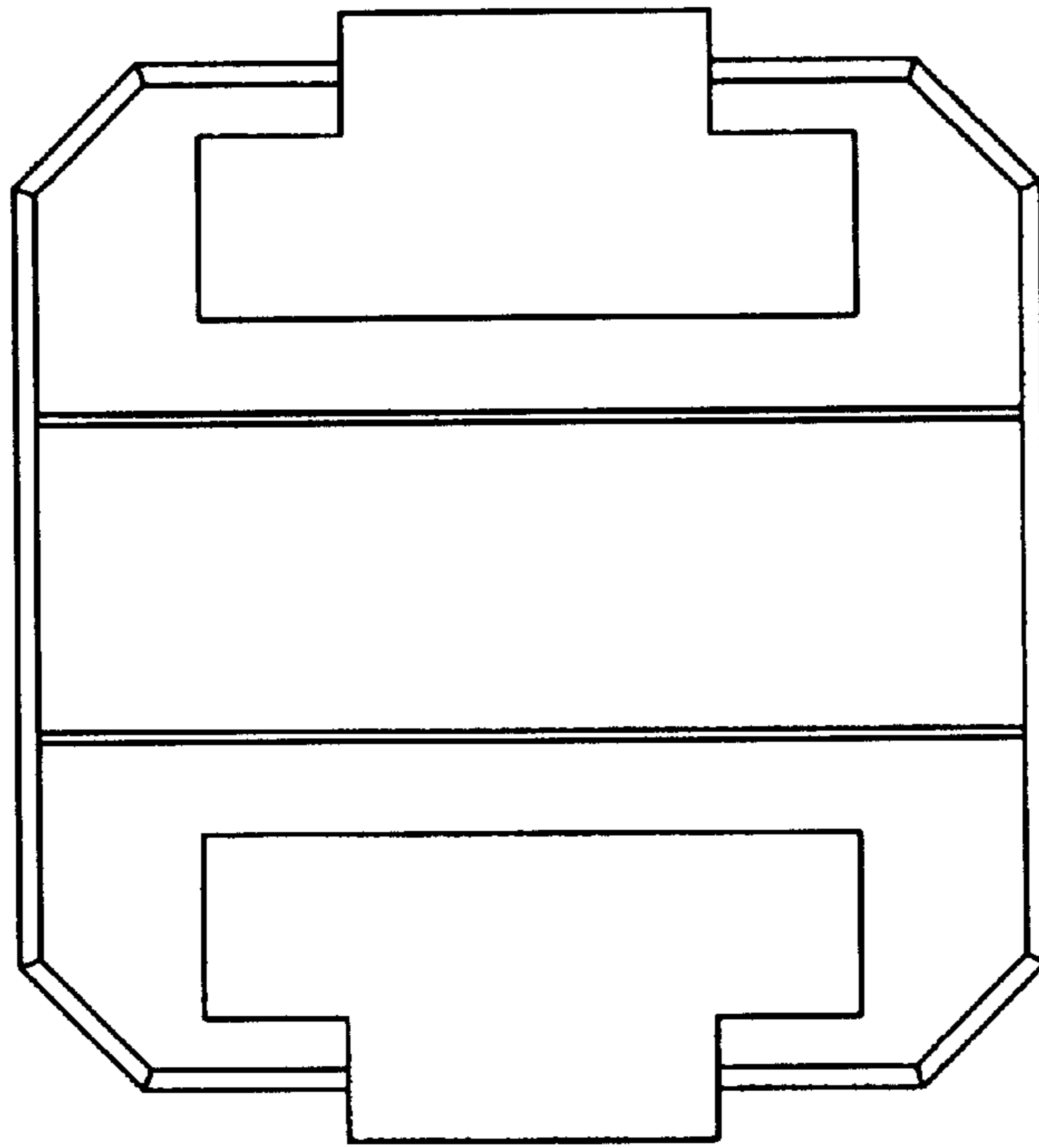


FIG. 3

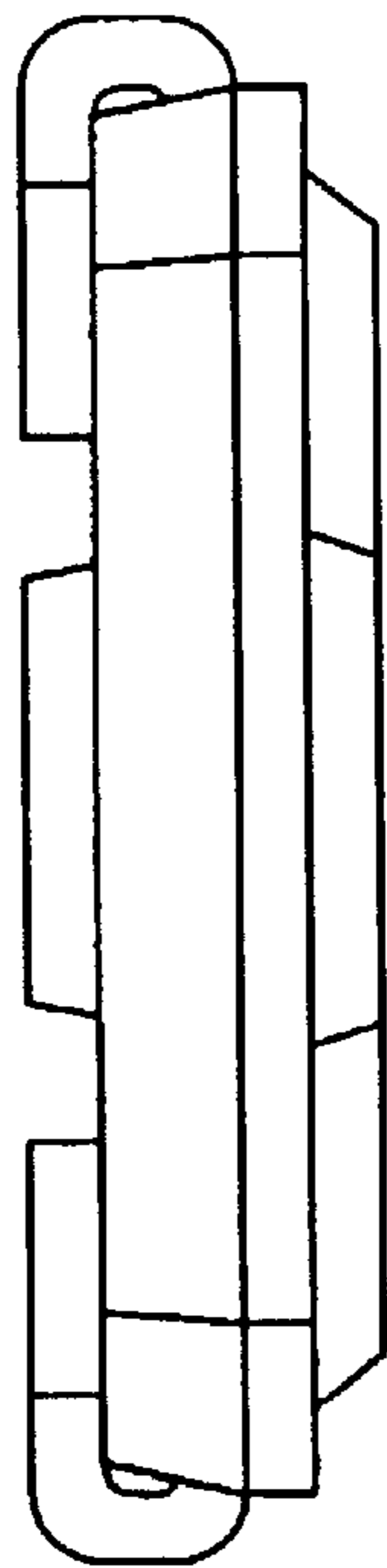


FIG. 4

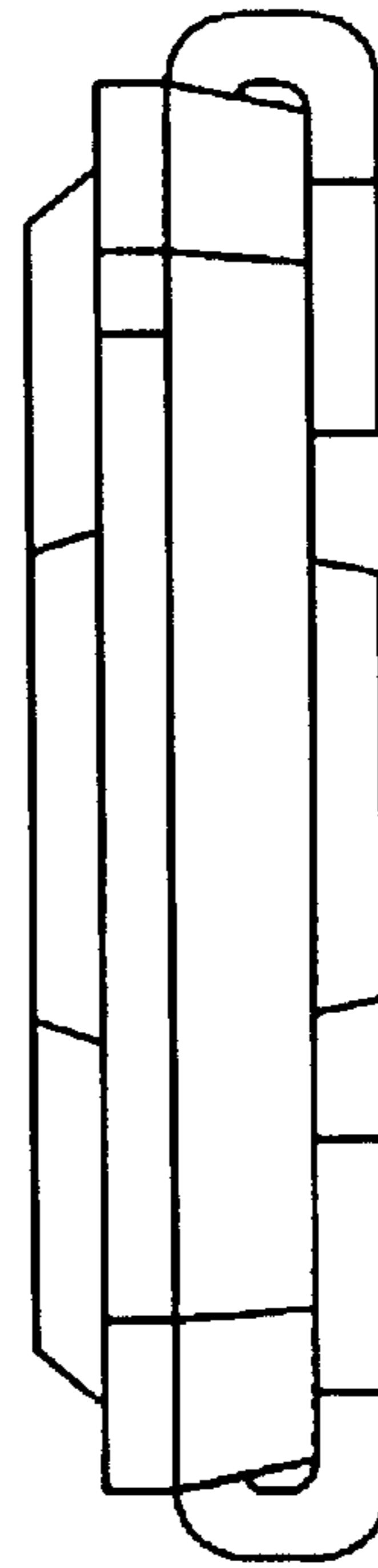


FIG. 5

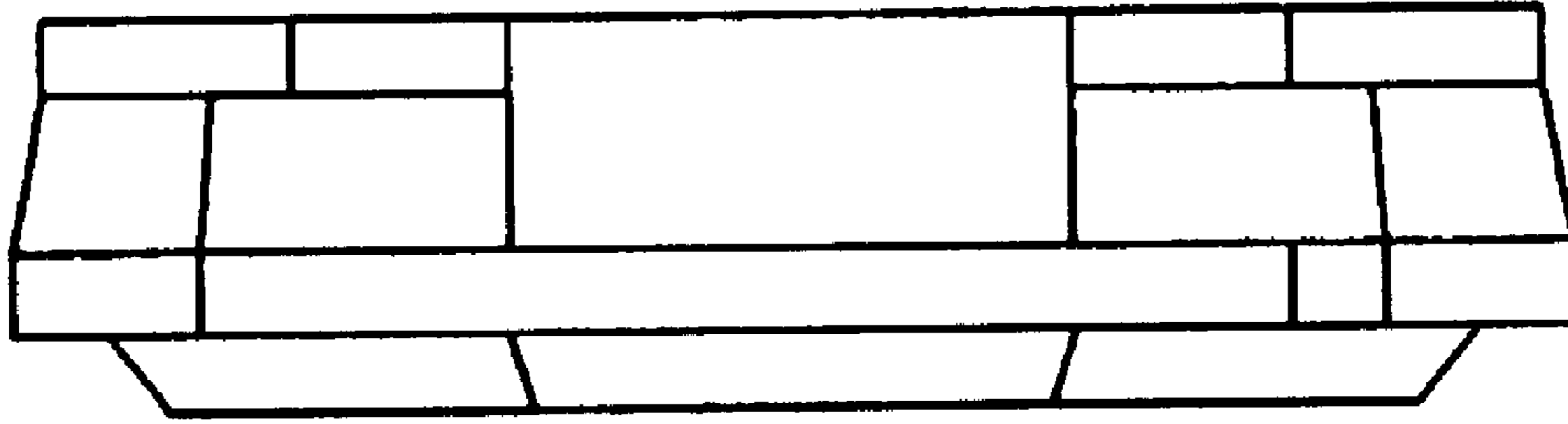


FIG. 6

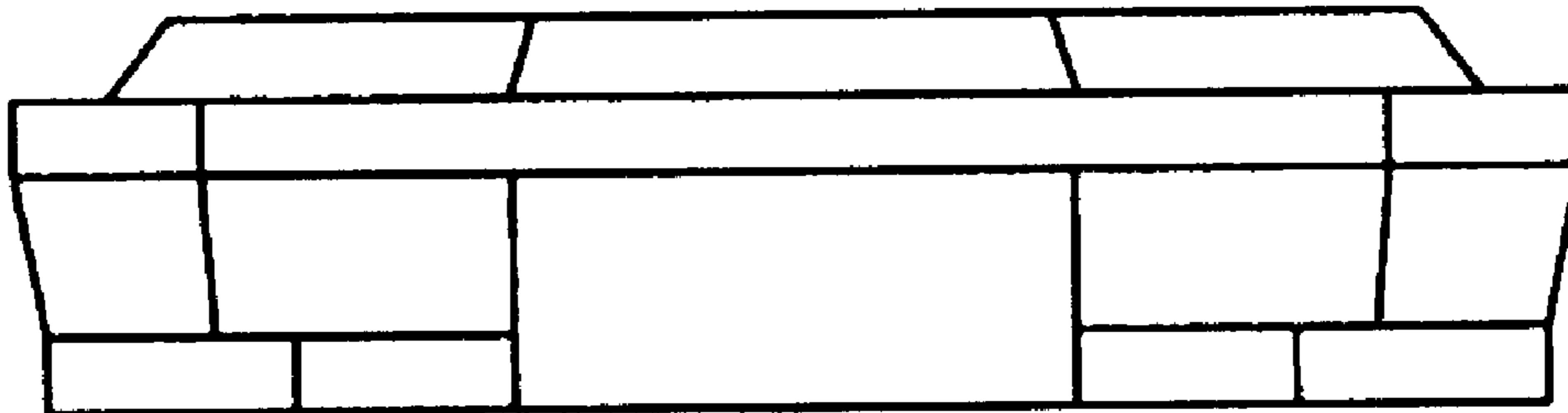


FIG. 7