



US00D522466S

(12) **United States Design Patent**  
**Sumitani**

(10) **Patent No.:** **US D522,466 S**  
(45) **Date of Patent:** **\*\* Jun. 6, 2006**

(54) **LIGHT EMITTING DIODE**

(75) Inventor: **Naofumi Sumitani**, Itano-gun (JP)

(73) Assignee: **Nichia Corporation**, Anan (JP)

(\*\*) Term: **14 Years**

(21) Appl. No.: **29/226,509**

(22) Filed: **Mar. 30, 2005**

**Related U.S. Application Data**

(62) Division of application No. 29/200,831, filed on Mar. 5, 2004, now Pat. No. Des. 510,913.

(30) **Foreign Application Priority Data**

Sep. 9, 2003	(JP)	.....	2003-026194
Sep. 9, 2003	(JP)	.....	2003-026195
Sep. 9, 2003	(JP)	.....	2003-026227
Sep. 9, 2003	(JP)	.....	2003-026228
Sep. 9, 2003	(JP)	.....	2003-026229
Sep. 9, 2003	(JP)	.....	2003-026230
Sep. 9, 2003	(JP)	.....	2003-026231
Sep. 9, 2003	(JP)	.....	2003-026232
Sep. 9, 2003	(JP)	.....	2003-026233
Sep. 9, 2003	(JP)	.....	2003-026234
Sep. 9, 2003	(JP)	.....	2003-026235
Sep. 9, 2003	(JP)	.....	2003-026236
Sep. 9, 2003	(JP)	.....	2003-026237
Sep. 9, 2003	(JP)	.....	2003-026238
Sep. 9, 2003	(JP)	.....	2003-026239
Sep. 9, 2003	(JP)	.....	2003-026240
Sep. 9, 2003	(JP)	.....	2003-026241
Sep. 9, 2003	(JP)	.....	2003-026242
Sep. 9, 2003	(JP)	.....	2003-026243

(51) **LOC (8) Cl.** ..... **13-03**

(52) **U.S. Cl.** ..... **D13/180**

(58) **Field of Classification Search** ..... D13/180;  
D26/2; 257/79, 80, 81, 82, 88, 89, 95, 98,  
257/99, 100, 433, 434, 666; 313/483, 498,  
313/500; 361/820; 362/235, 555, 800; 372/45  
See application file for complete search history.

(56) **References Cited**

**U.S. PATENT DOCUMENTS**

D432,095 S 10/2000 Seeger et al.

D437,798 S	2/2001	Kiba et al.
D439,351 S	3/2001	Kiba et al.
6,355,946 B1	3/2002	Ishinaga
6,483,623 B1	11/2002	Maruyama
D471,166 S	3/2003	Oshio et al.
6,624,491 B1	9/2003	Waitl et al.
D482,337 S	11/2003	Kamada
6,717,256 B1	4/2004	Suzuki et al.
D490,387 S	5/2004	Yagi
D491,899 S	6/2004	Yagi
D494,550 S	8/2004	Hoshiba
D495,304 S	8/2004	Kim et al.

*Primary Examiner*—Stella Reid  
*Assistant Examiner*—Selina Sikder  
(74) *Attorney, Agent, or Firm*—Smith Patent Office

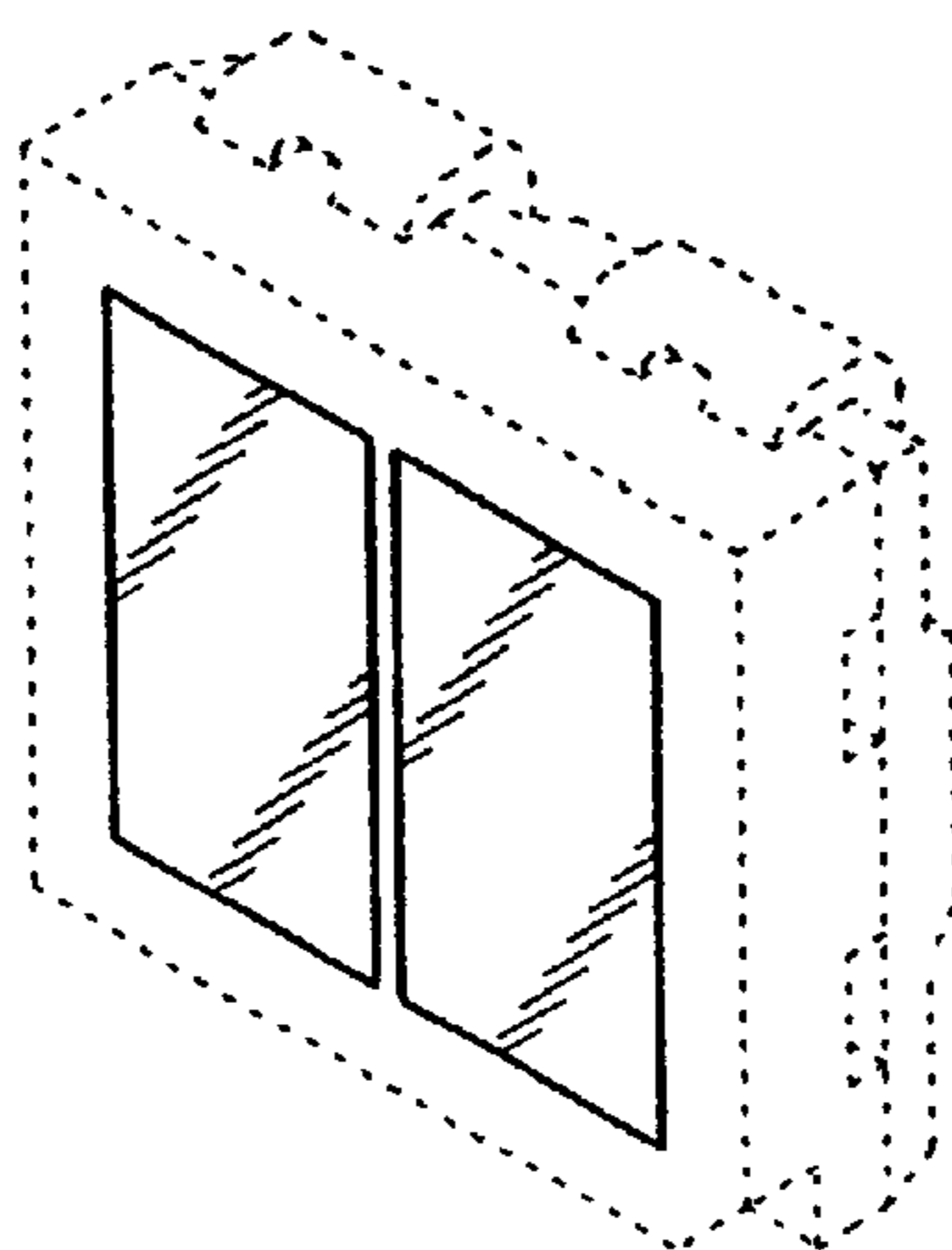
(57) **CLAIM**

I claim the ornamental design for the light emitting diode, as shown and described.

**DESCRIPTION**

FIG. 1 is a front perspective view of a light emitting diode showing my new design;  
FIG. 2 is a rear perspective view of a light emitting diode according to the embodiment of FIG. 1;  
FIG. 3 is a front side view of the light emitting diode according to the embodiment of FIG. 1;  
FIG. 4 is a left view of the light emitting diode according to the embodiment of FIG. 1;  
FIG. 5 is a plan view of the light emitting diode according to the embodiment of FIG. 1;  
FIG. 6 is a right view of the light emitting diode according to the embodiment of FIG. 1;  
FIG. 7 is a bottom side of the light emitting diode according to the embodiment of FIG. 1; and,  
FIG. 8 is a rear elevational view of the light emitting diode according to the embodiment of FIG. 1.  
The broken line showing of the environment is for illustrative purpose only and forms no part of the claimed design.

**1 Claim, 2 Drawing Sheets**



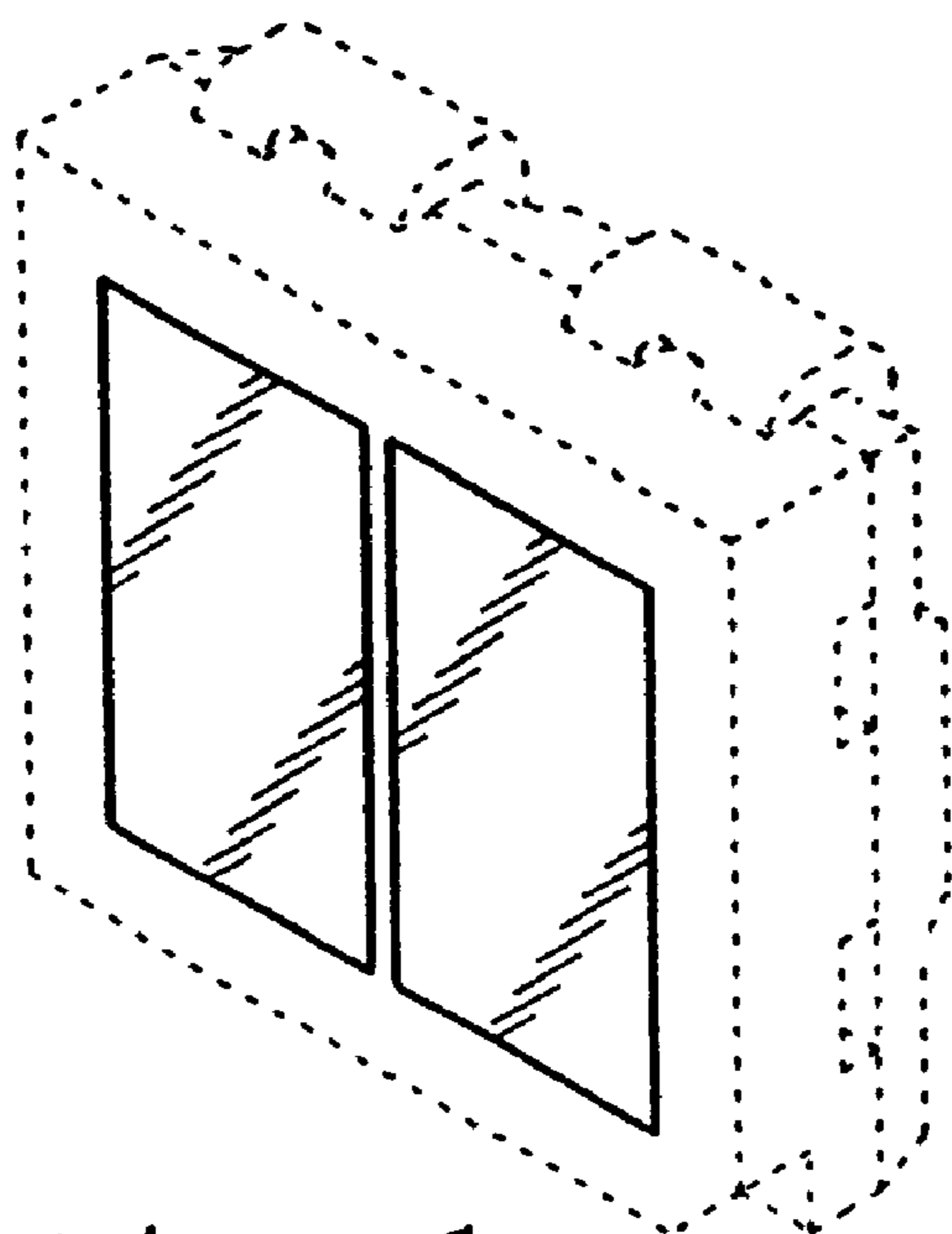


Fig. 1

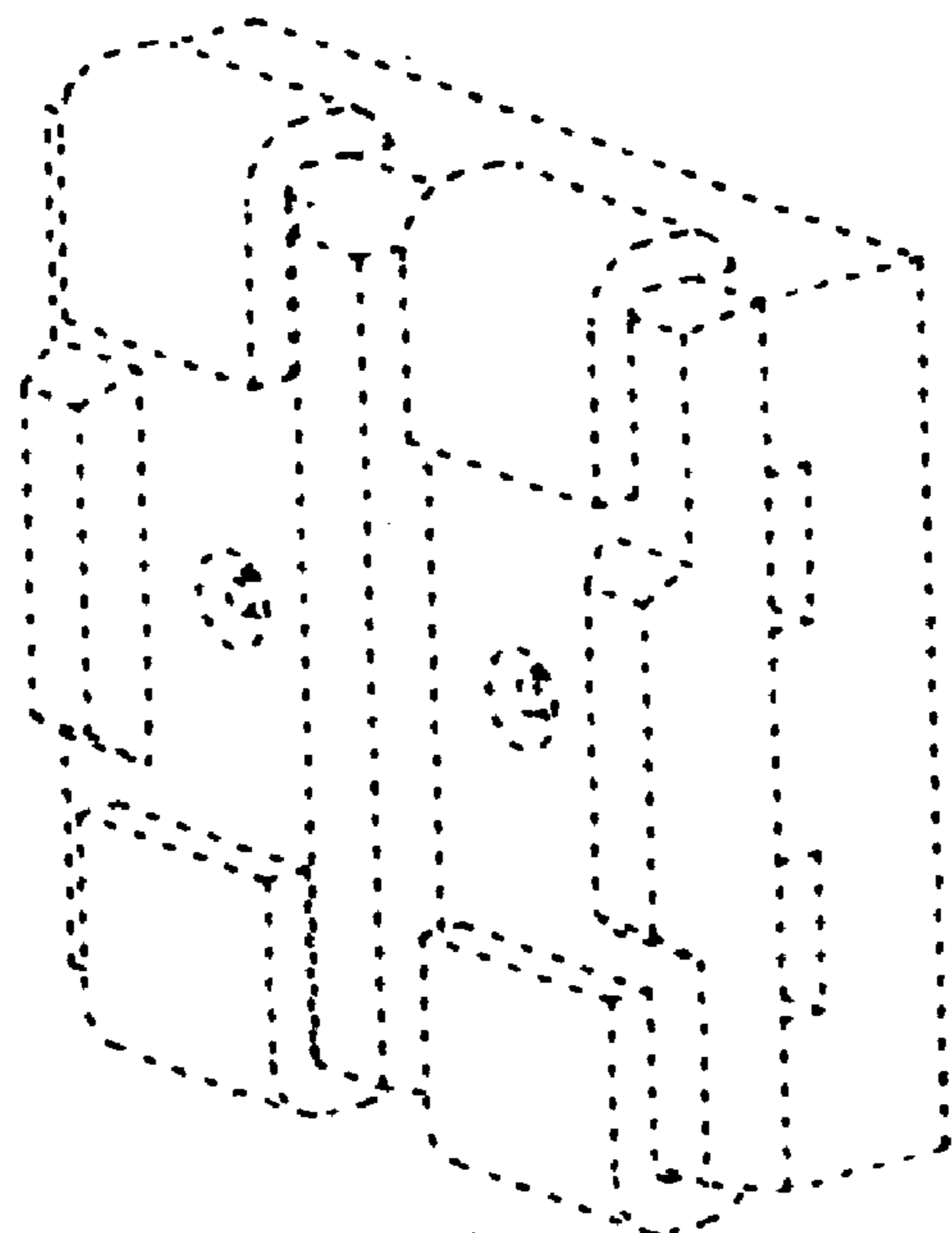


Fig. 2

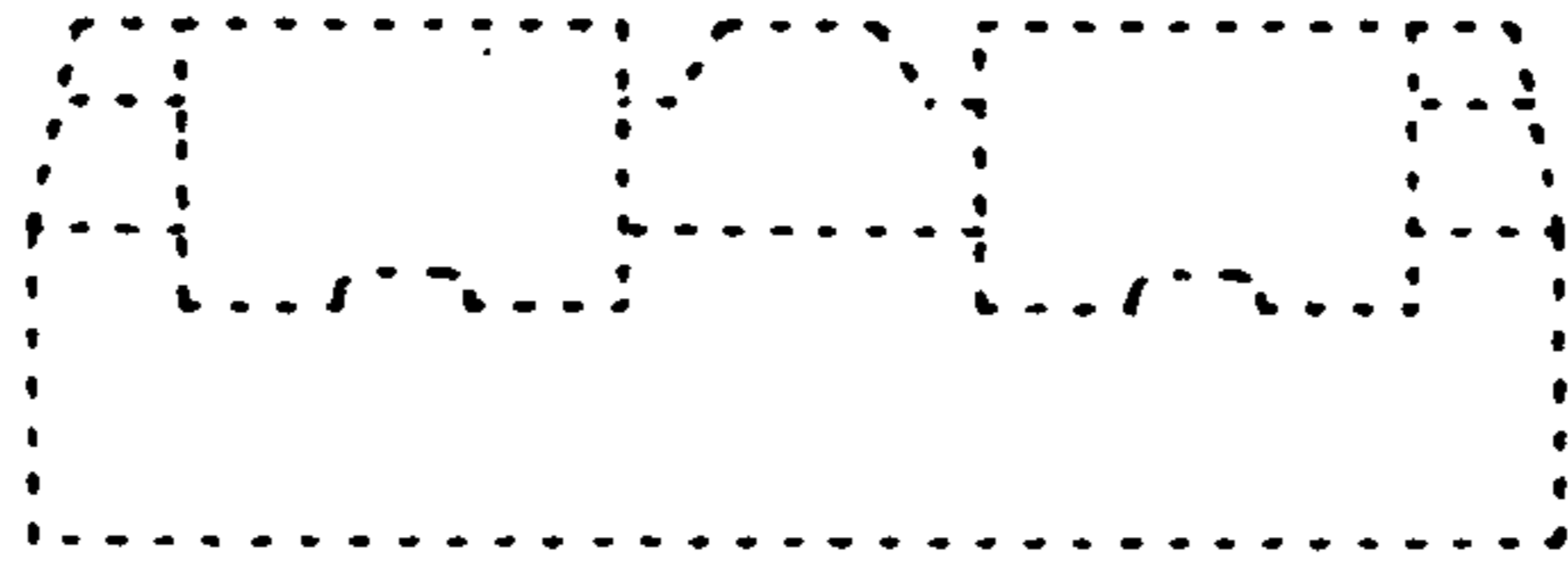


Fig. 3

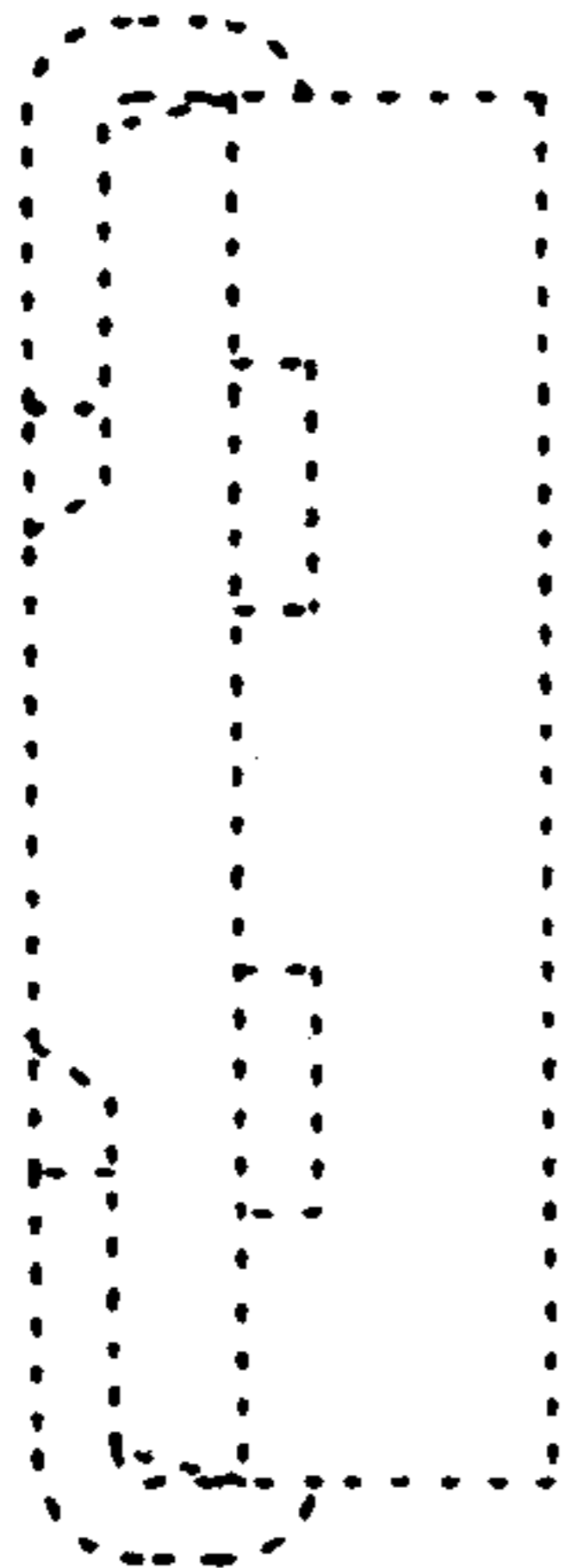


Fig. 4

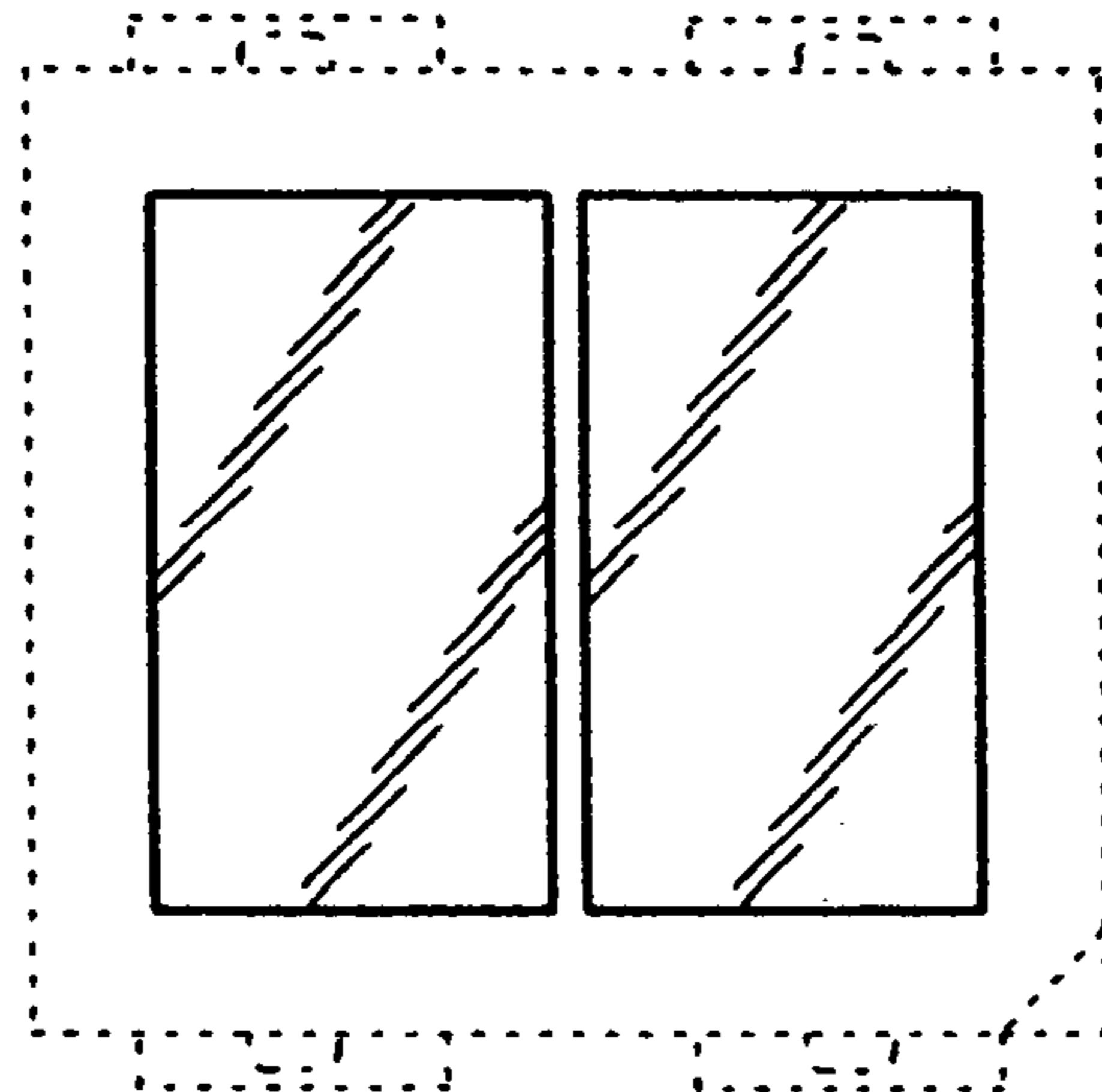


Fig. 5

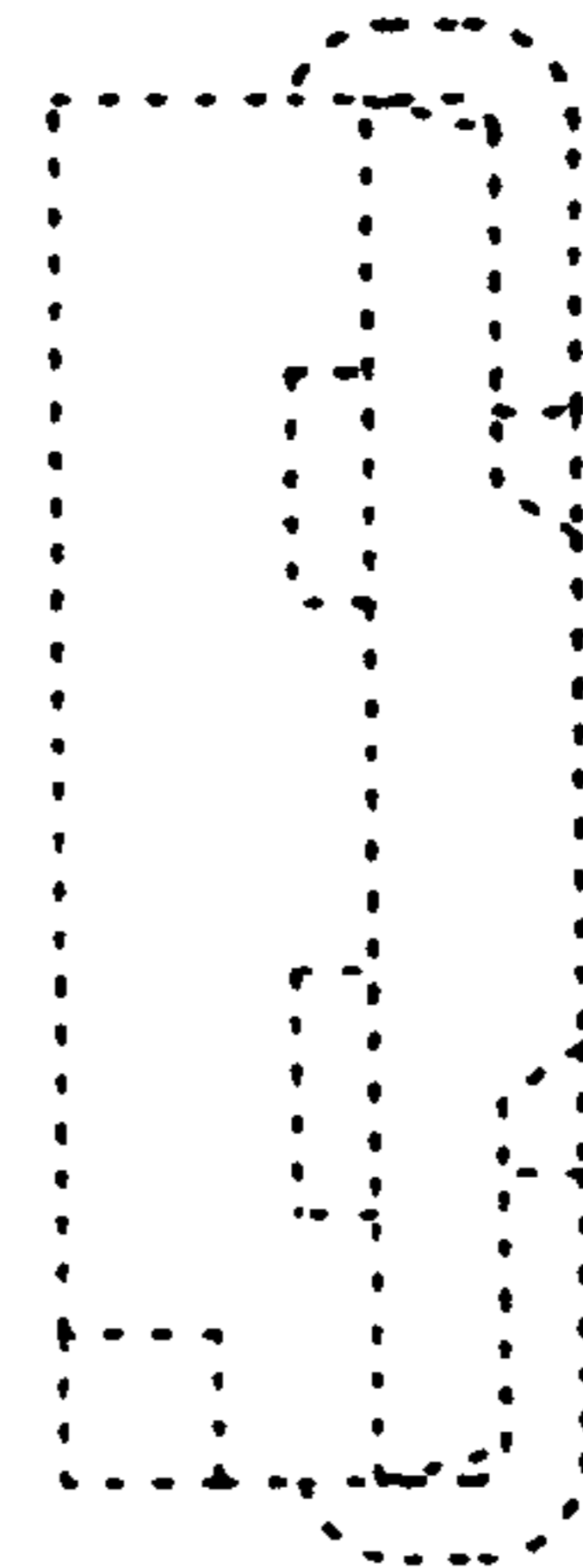


Fig. 6

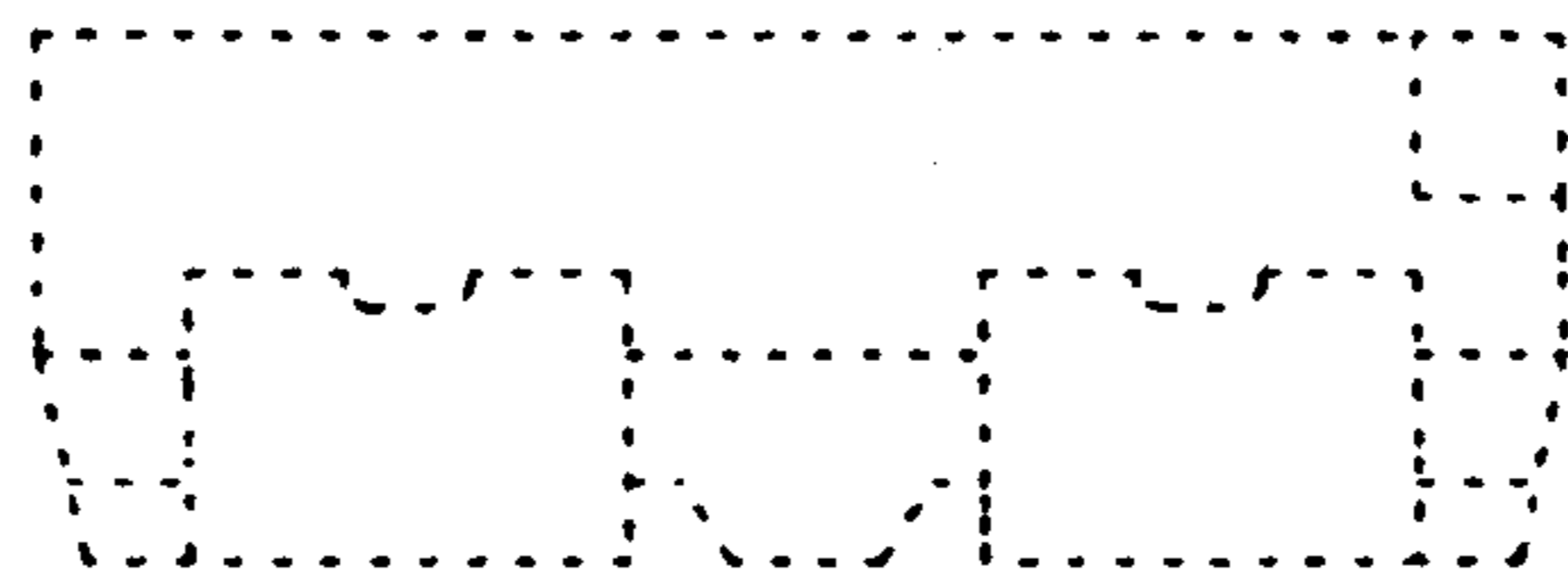


Fig. 7

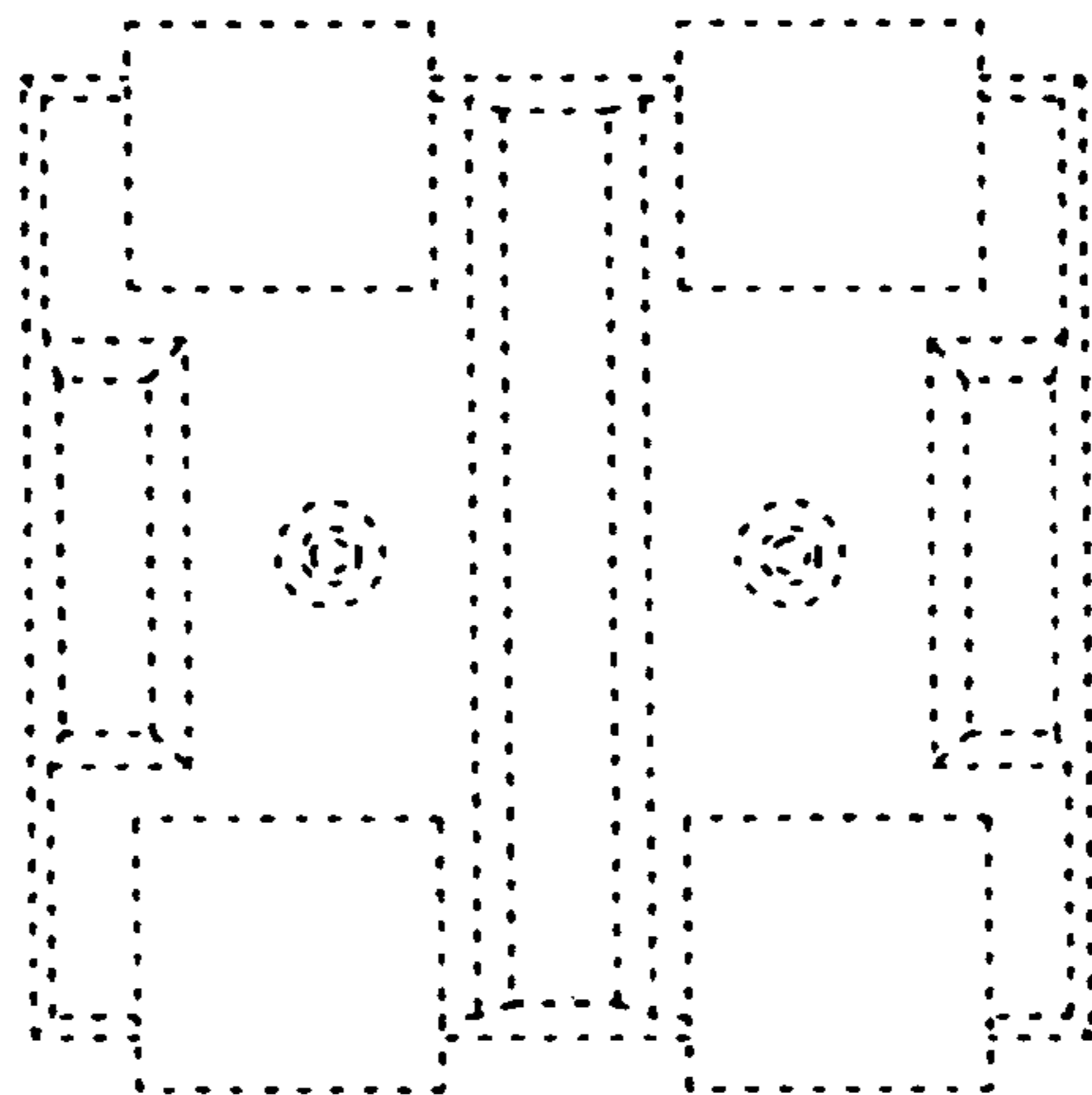


Fig. 8