

US00D522463S

(12) **United States Design Patent**
Novotney et al.

(10) **Patent No.:** **US D522,463 S**
(45) **Date of Patent:** **** Jun. 6, 2006**

(54) **CONNECTOR SYSTEM**

(75) Inventors: **Donald J. Novotney**, San Jose, CA (US); **Evans Hankey**, San Francisco, CA (US); **Stephen Zadesky**, San Carlos, CA (US); **Timothy J. Wells**, Santa Clara, CA (US)

(73) Assignee: **Apple Computer, Inc.**, Cupertino, CA (US)

(**) Term: **14 Years**

(21) Appl. No.: **29/220,837**

(22) Filed: **Jan. 7, 2005**

(51) **LOC (8) Cl.** **13-03**

(52) **U.S. Cl.** **D13/154**; D13/147

(58) **Field of Classification Search** D13/146,
D13/147, 156, 173; 439/79, 108, 367, 588,
439/606-610, 637-638, 660

See application file for complete search history.

(56) **References Cited**

U.S. PATENT DOCUMENTS

D314,754 S * 2/1991 Endo et al. D13/147
D317,591 S * 6/1991 Matsuzaki D13/147
D332,600 S * 1/1993 Lucey et al. D13/147
5,218,519 A * 6/1993 Welch et al. 361/801

D416,233 S * 11/1999 Tsai D13/153
D444,788 S * 7/2001 Do et al. D14/433
6,270,379 B1 * 8/2001 Huang et al. 439/660
D454,130 S * 3/2002 Do et al. D14/433
D491,143 S * 6/2004 Jiang D13/147
D496,632 S * 9/2004 David et al. D13/147
D500,737 S * 1/2005 Shao D13/147
2004/0185719 A1 * 9/2004 Wang 439/638
2004/0259423 A1 * 12/2004 Elbaz et al. 439/660
2005/0009404 A1 * 1/2005 Lee 439/638

* cited by examiner

Primary Examiner—Pamela Burgess

Assistant Examiner—Rosemary K. Tarcza

(74) *Attorney, Agent, or Firm*—Sawyer Law Group LLP

(57) **CLAIM**

The ornamental design for a connector system, as shown and described.

DESCRIPTION

FIG. 1 is a perspective view of the connector system.
FIG. 2 is a front view of the connector system.
FIG. 3 is a back view of the connector system.
FIG. 4 is a top view of the connector system.
FIG. 5 is a bottom view of the connector system.
FIG. 6 is a right side view of the connector system; and,
FIG. 7 is a left side view of the connector system.

1 Claim, 2 Drawing Sheets

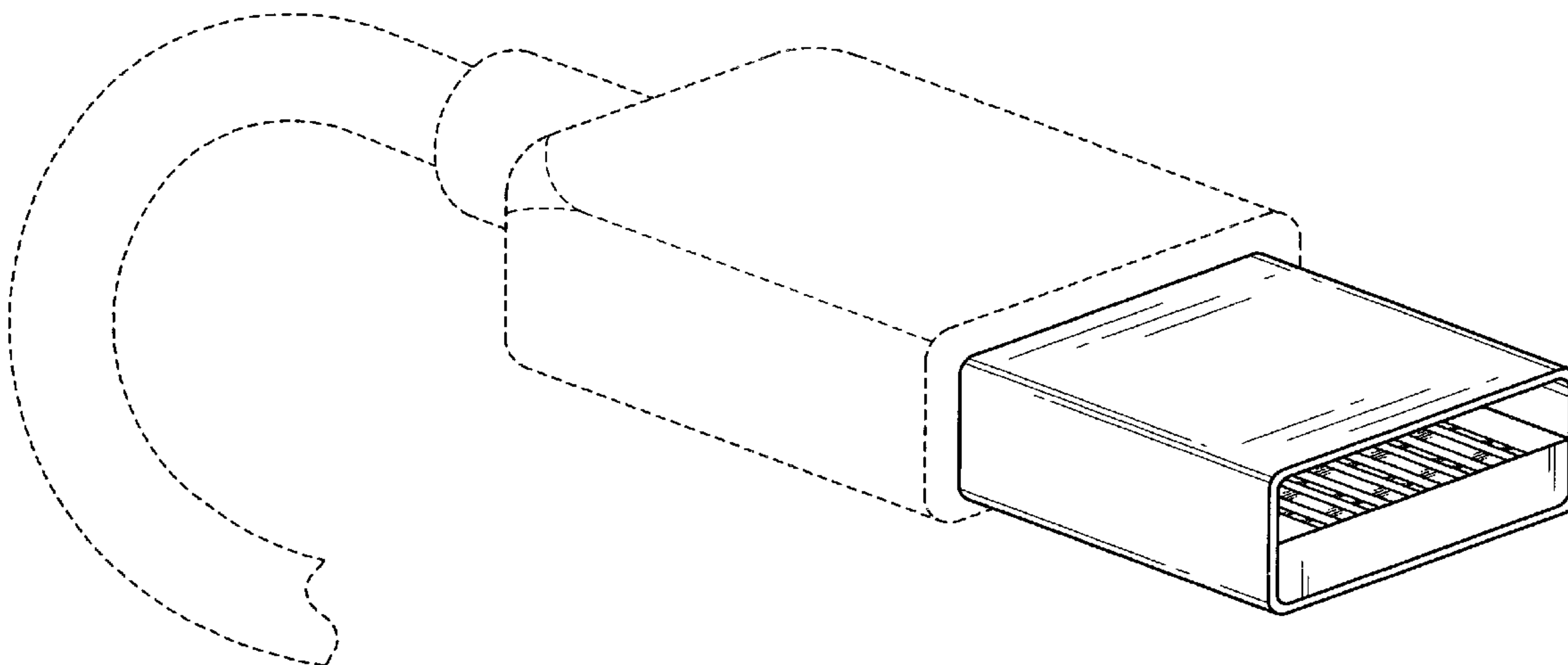


FIG.1

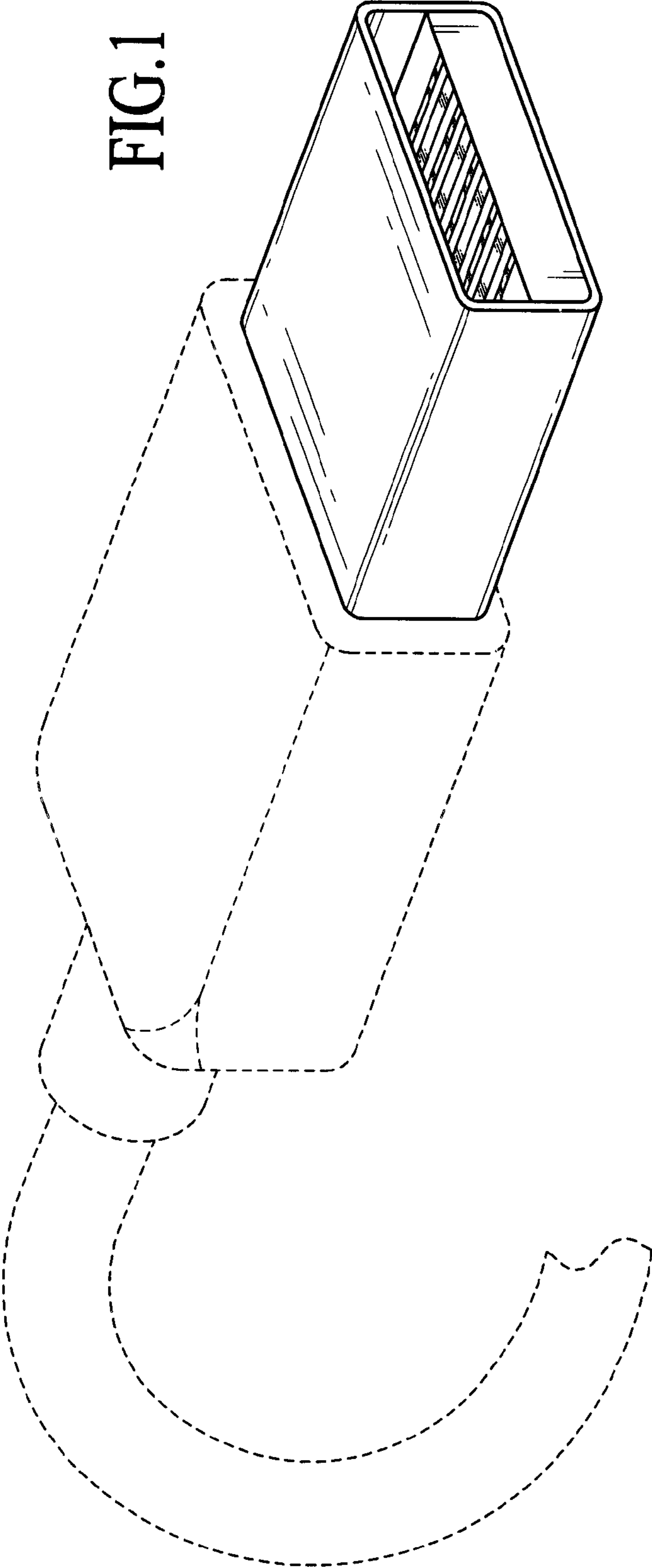


FIG.3

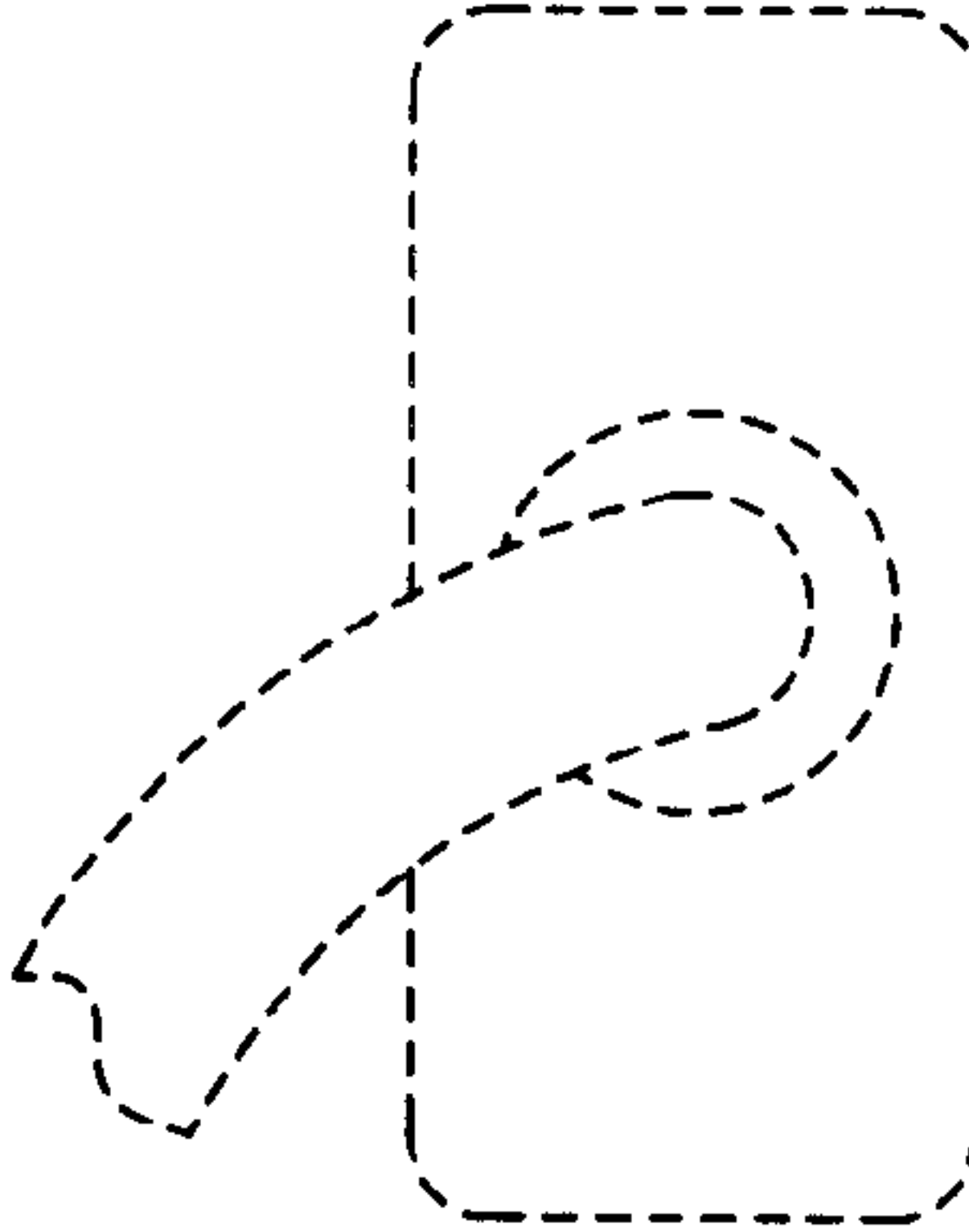
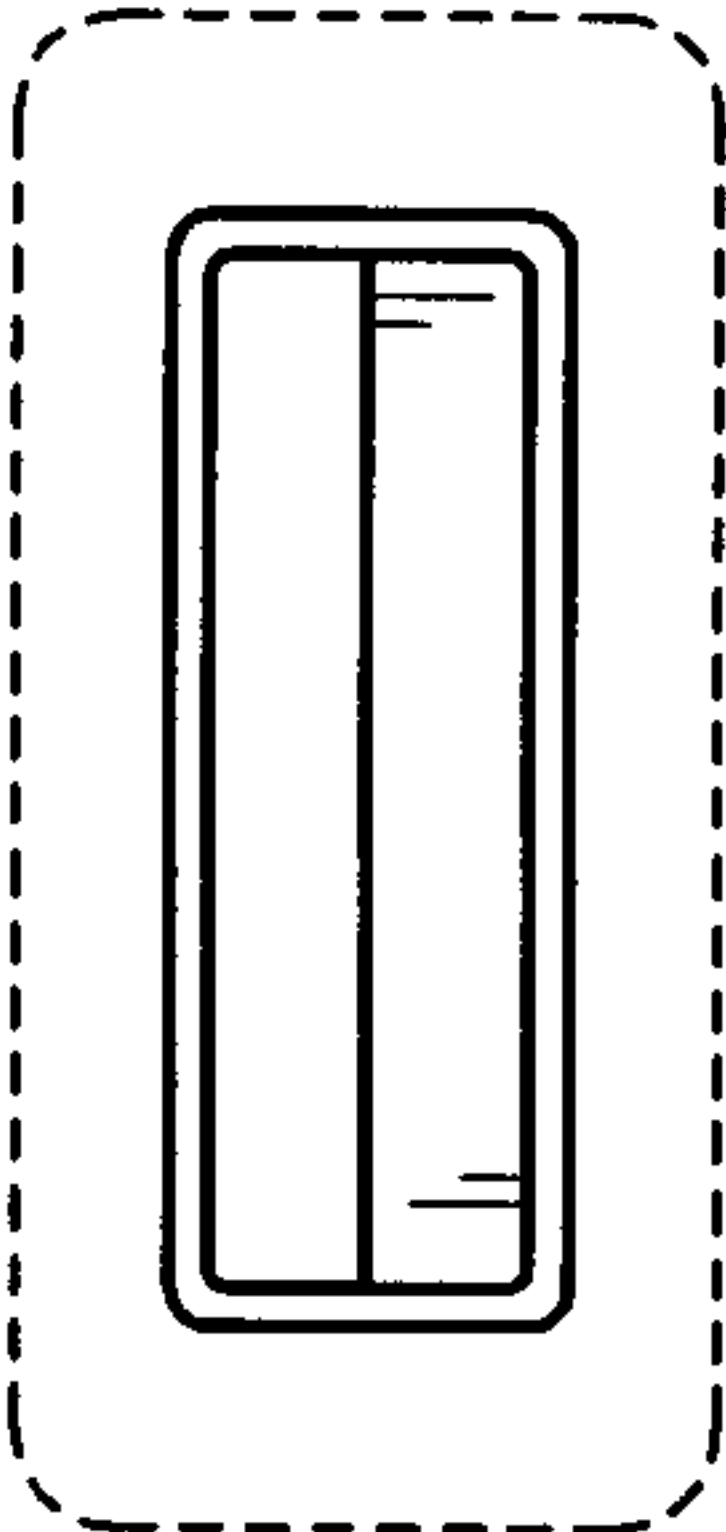


FIG.2



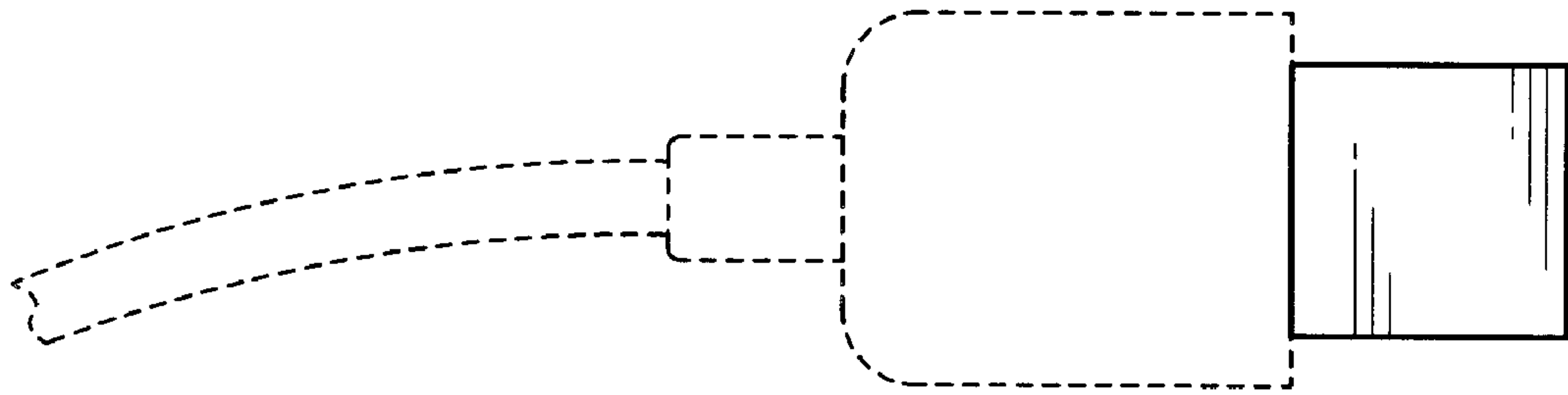


FIG. 4

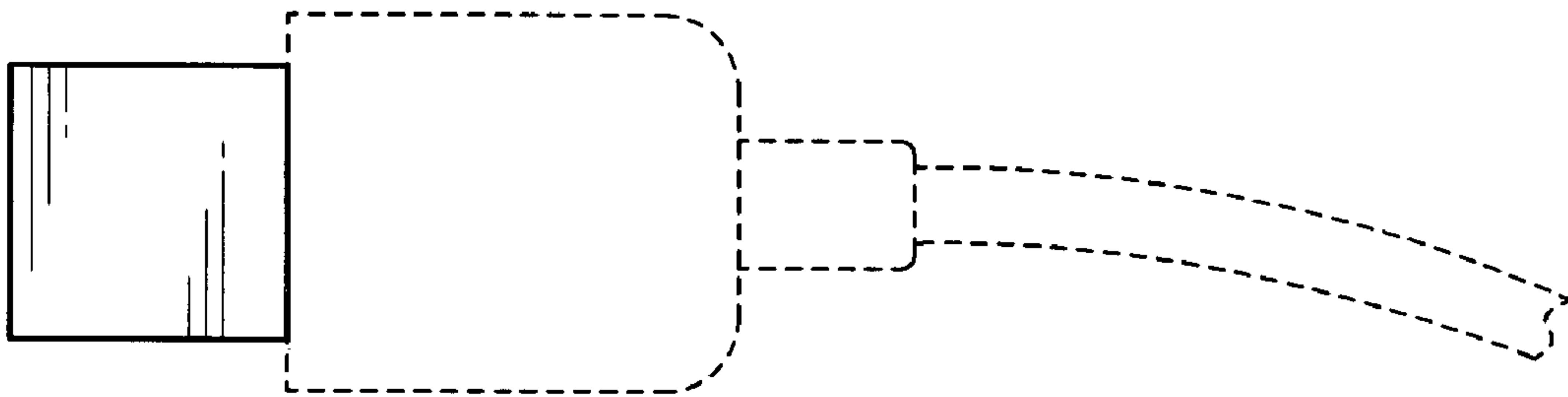


FIG. 5

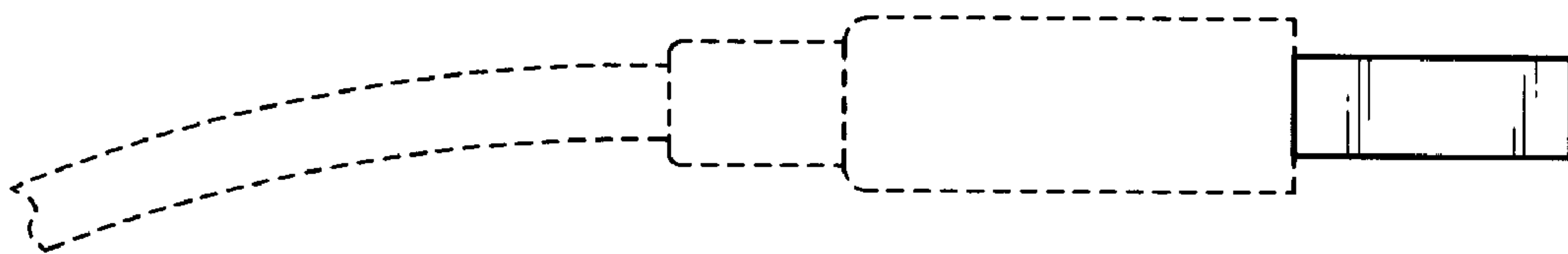


FIG. 6

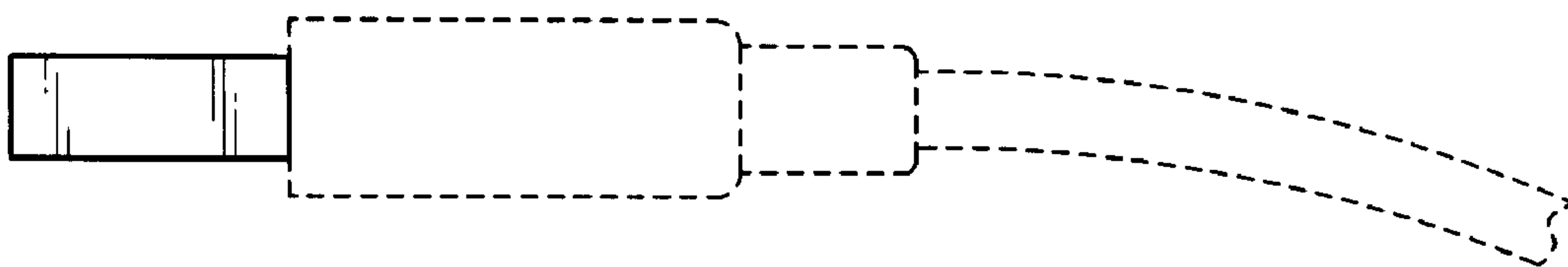


FIG. 7