



US00D522462S

(12) **United States Design Patent**
Kondas

(10) **Patent No.:** **US D522,462 S**

(45) **Date of Patent:** **** Jun. 6, 2006**

(54) **MALE PLUG CONFIGURATION**

(75) **Inventor:** **Shawn J. Kondas**, Kendallville, IN (US)

(73) **Assignee:** **Pent Technologies, Inc.**, Kendallville, IN (US)

(**) **Term:** **14 Years**

(21) **Appl. No.:** **29/217,401**

(22) **Filed:** **Nov. 16, 2004**

(51) **LOC (8) Cl.** **13-03**

(52) **U.S. Cl.** **D13/154; D13/147**

(58) **Field of Classification Search** D13/146,
D13/147, 156, 173; 439/79, 108, 367, 588,
439/606-610, 637-638, 660

See application file for complete search history.

(56) **References Cited**

U.S. PATENT DOCUMENTS

3,351,894 A * 11/1967 Kinkaid 439/748

D295,971 S * 5/1988 Kikuta D13/147
D298,030 S * 10/1988 Kikuta D13/147
D407,375 S * 3/1999 Aramaki D13/147
6,299,487 B1 * 10/2001 Lopata et al. 439/610
6,702,590 B1 * 3/2004 Zaderej et al. 439/74
D500,291 S * 12/2004 Byrne D13/147
D511,142 S * 11/2005 de Jonge et al. D13/147

* cited by examiner

Primary Examiner—Pamela Burgess

Assistant Examiner—Rosemary K. Tarcza

(74) *Attorney, Agent, or Firm*—Taylor & Aust, P.C.

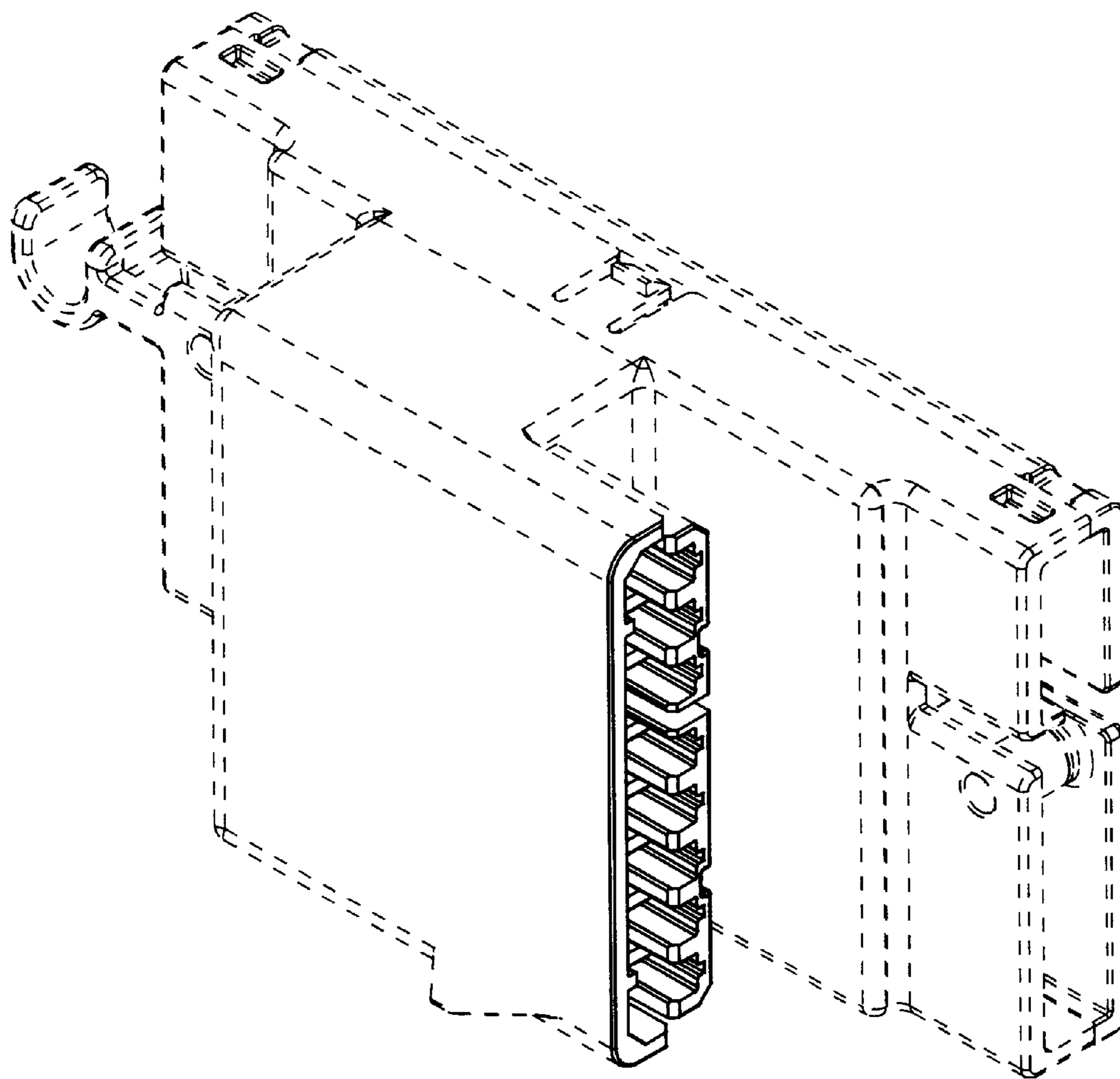
(57) **CLAIM**

The ornamental design for a male plug configuration, as shown and described.

DESCRIPTION

FIG. 1 is a perspective view of a plug including a male plug configuration showing my new design, the portion in phantom lines forming no part of the claimed invention; and, FIG. 2 is an end view thereof.

1 Claim, 1 Drawing Sheet



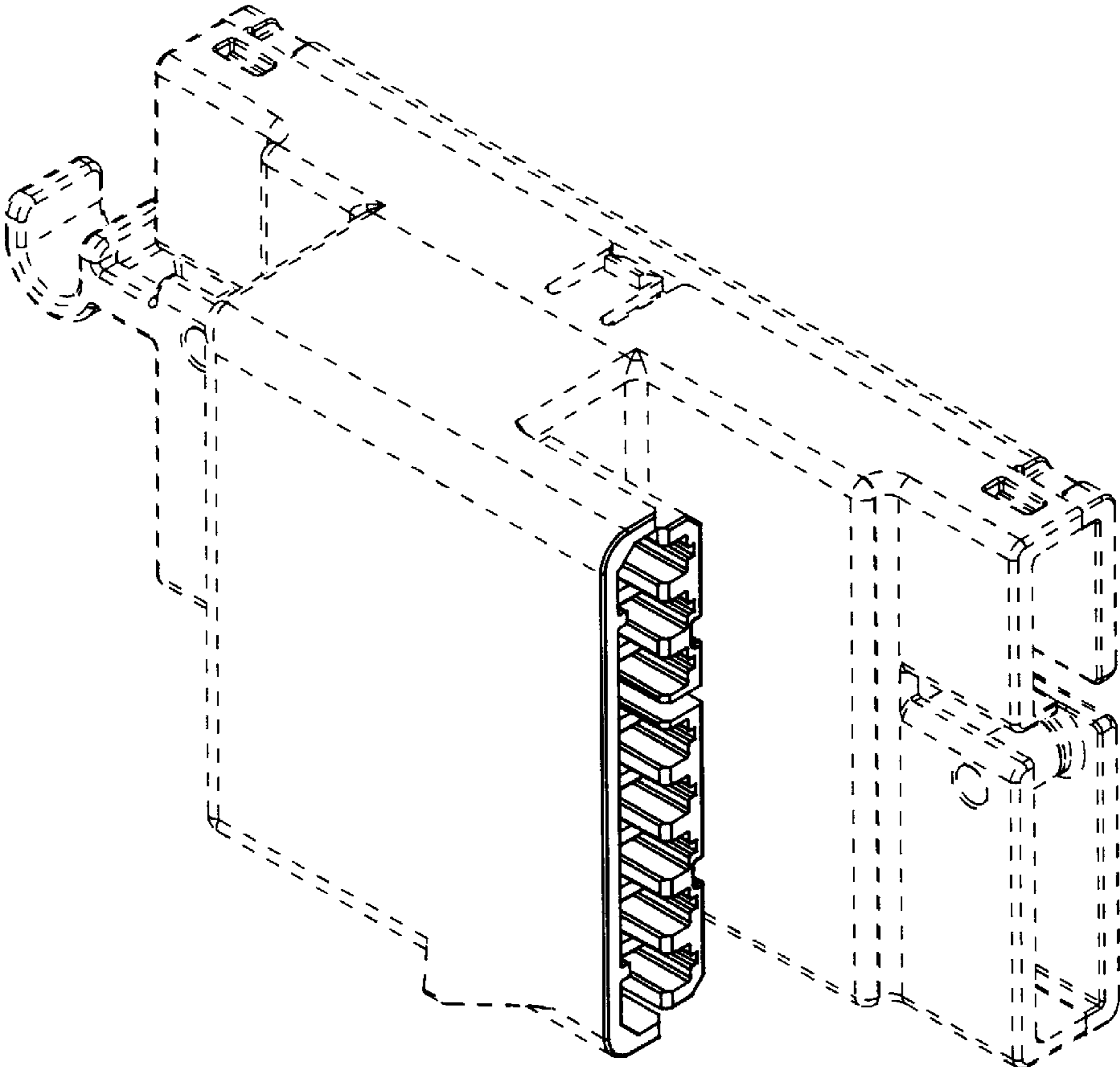


Fig. 1

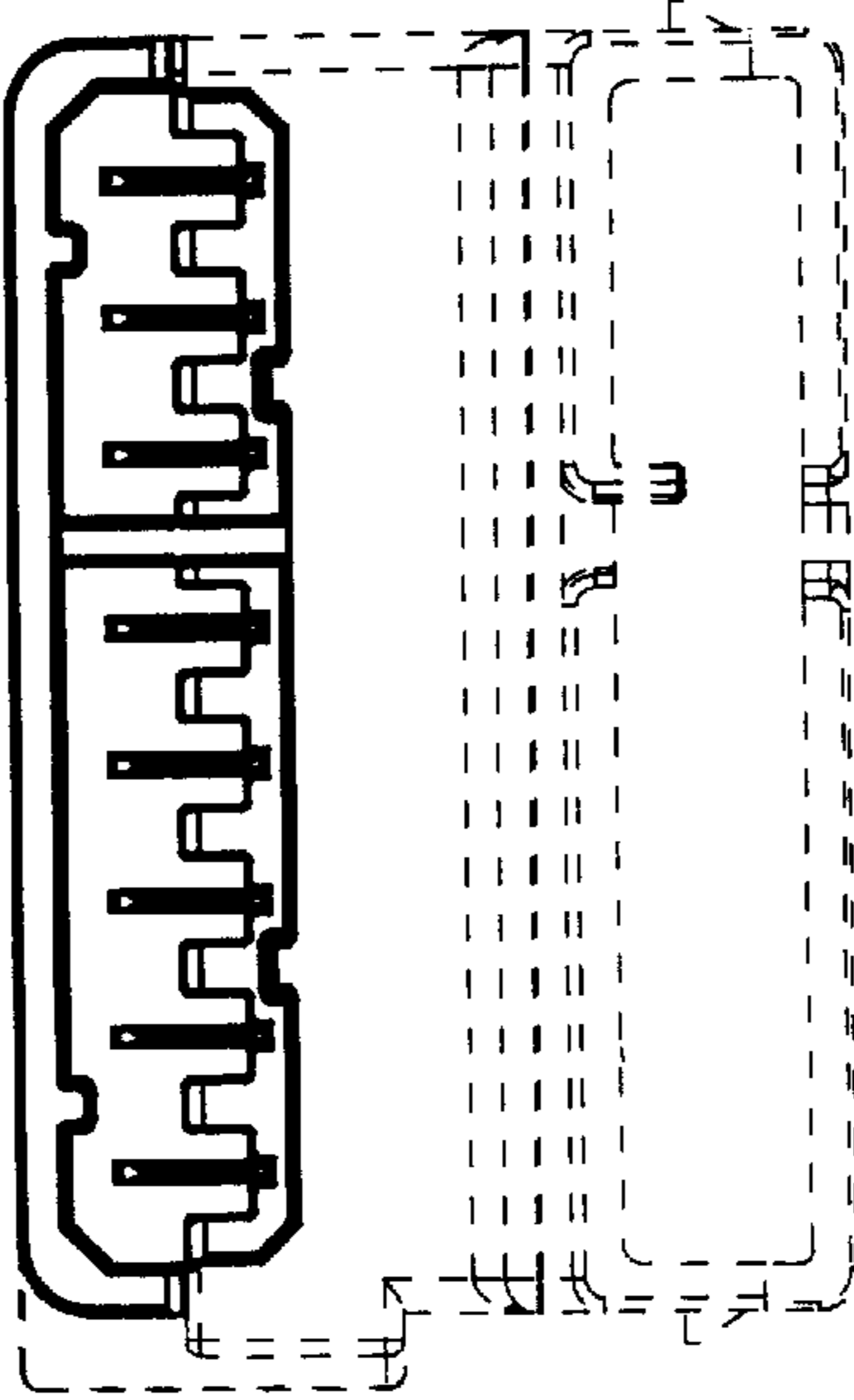


Fig. 2