



US00D522459S

(12) **United States Design Patent**
Chen et al.

(10) **Patent No.:** **US D522,459 S**

(45) **Date of Patent:** **** Jun. 6, 2006**

(54) **ELECTRICAL CONNECTOR**

(75) Inventors: **Zhi-Qiang Chen**, Kunsan (CN);
Guang-Ming Zhao, Kunsan (CN);
Quan Zhuang, Kunsan (CN)

(73) Assignee: **Hon Hai Precision Ind. Co., Ltd.**,
Taipei Hsien (TW)

(**) Term: **14 Years**

(21) Appl. No.: **29/220,519**

(22) Filed: **Dec. 29, 2004**

(30) **Foreign Application Priority Data**

Aug. 5, 2004 (CN) 2004300688983

(51) **LOC (8) Cl.** **13-03**

(52) **U.S. Cl.** **D13/147**

(58) **Field of Classification Search** D13/133,
D13/146-147, 154, 199; 439/352, 465, 595,
439/607, 680, 752

See application file for complete search history.

(56) **References Cited**

U.S. PATENT DOCUMENTS

4,940,420 A * 7/1990 Munie 439/272

D310,994 S * 10/1990 Yagi et al. D13/146

D310,995 S * 10/1990 Yamamoto D13/147
D324,032 S * 2/1992 Sueyoshi et al. D13/147
5,603,641 A * 2/1997 Kuhn et al. 439/680
D415,999 S * 11/1999 Esposito D13/162
6,171,136 B1 * 1/2001 Liu et al. 439/466
6,482,045 B1 * 11/2002 Arai 439/680
D503,150 S * 3/2005 Yamawaki et al. D13/147
6,964,582 B1 * 11/2005 Zhuang et al. 439/607
2005/0124218 A1 * 6/2005 Chen et al. 439/607

* cited by examiner

Primary Examiner—Stella Reid

Assistant Examiner—Daniel Bui

(74) *Attorney, Agent, or Firm*—Wei Te Chung

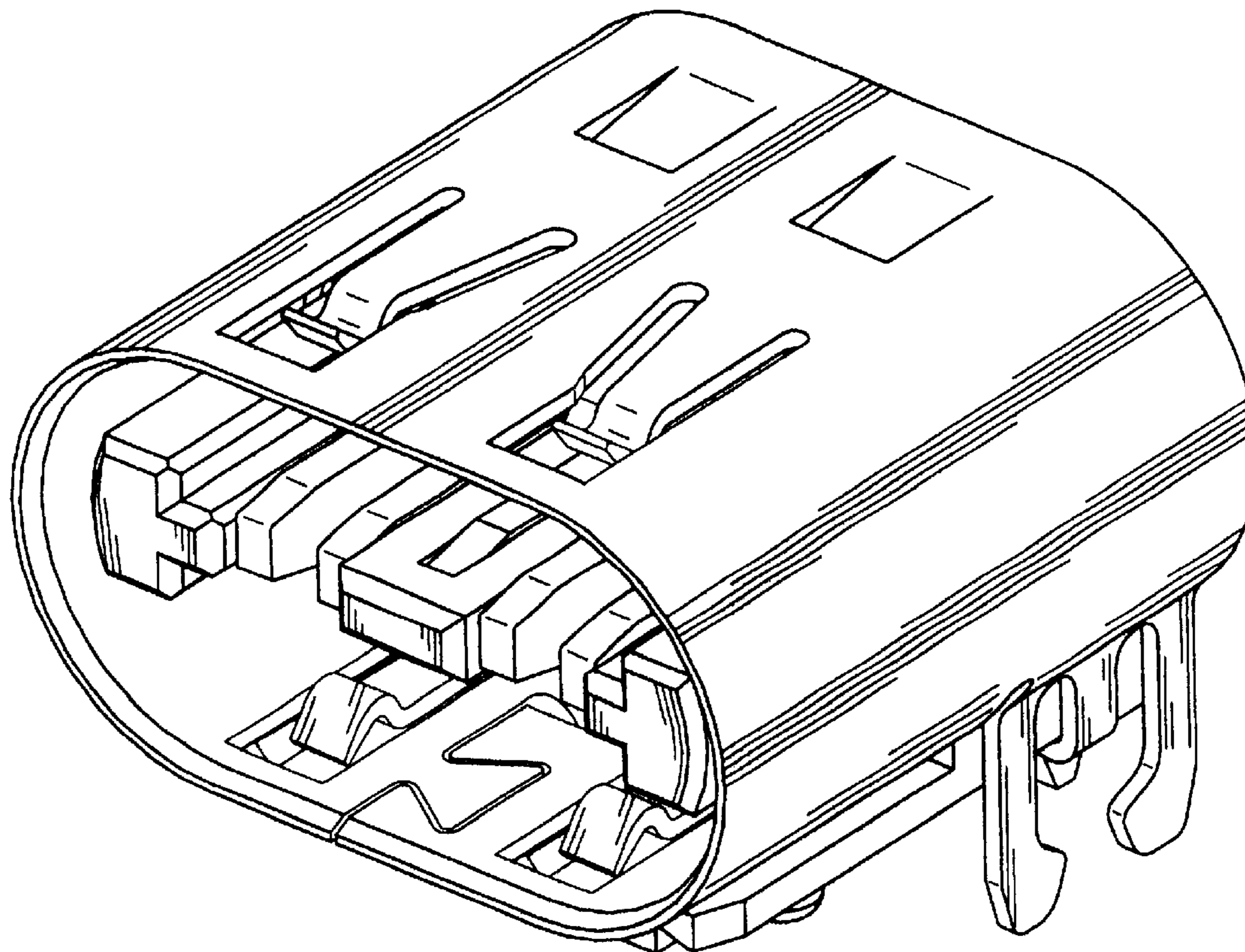
(57) **CLAIM**

The ornamental design for an electrical connector, as shown.

DESCRIPTION

FIG. 1 is a front, top and right side perspective view of an electrical connector showing our new design; FIG. 2 is a front elevational view thereof; FIG. 3 is a rear elevational view thereof; FIG. 4 is a left side elevational view thereof; FIG. 5 is a right side elevational view thereof; FIG. 6 is a top plan view thereof; and, FIG. 7 is a bottom plan view thereof.

1 Claim, 7 Drawing Sheets



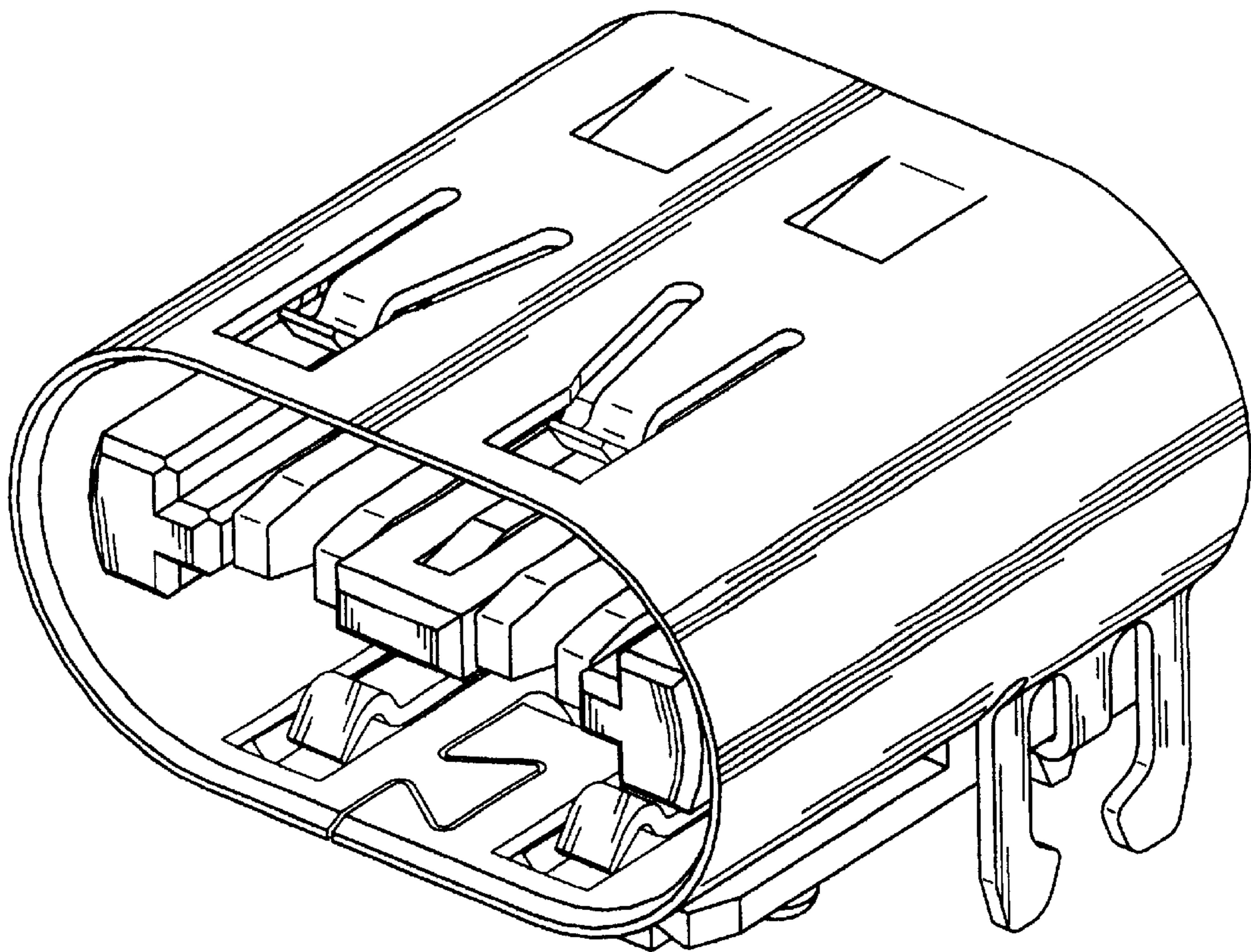


FIG. 1

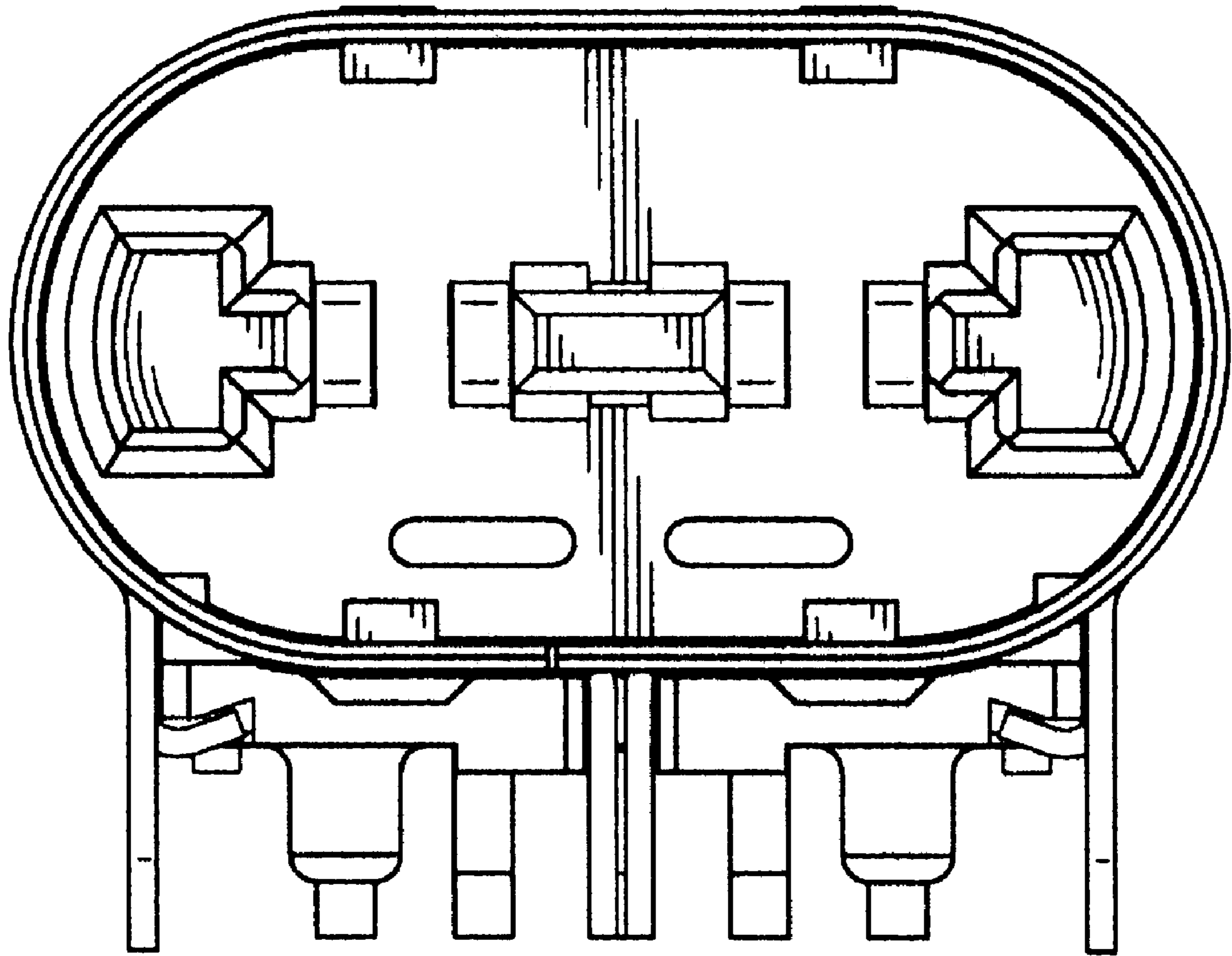


FIG. 2

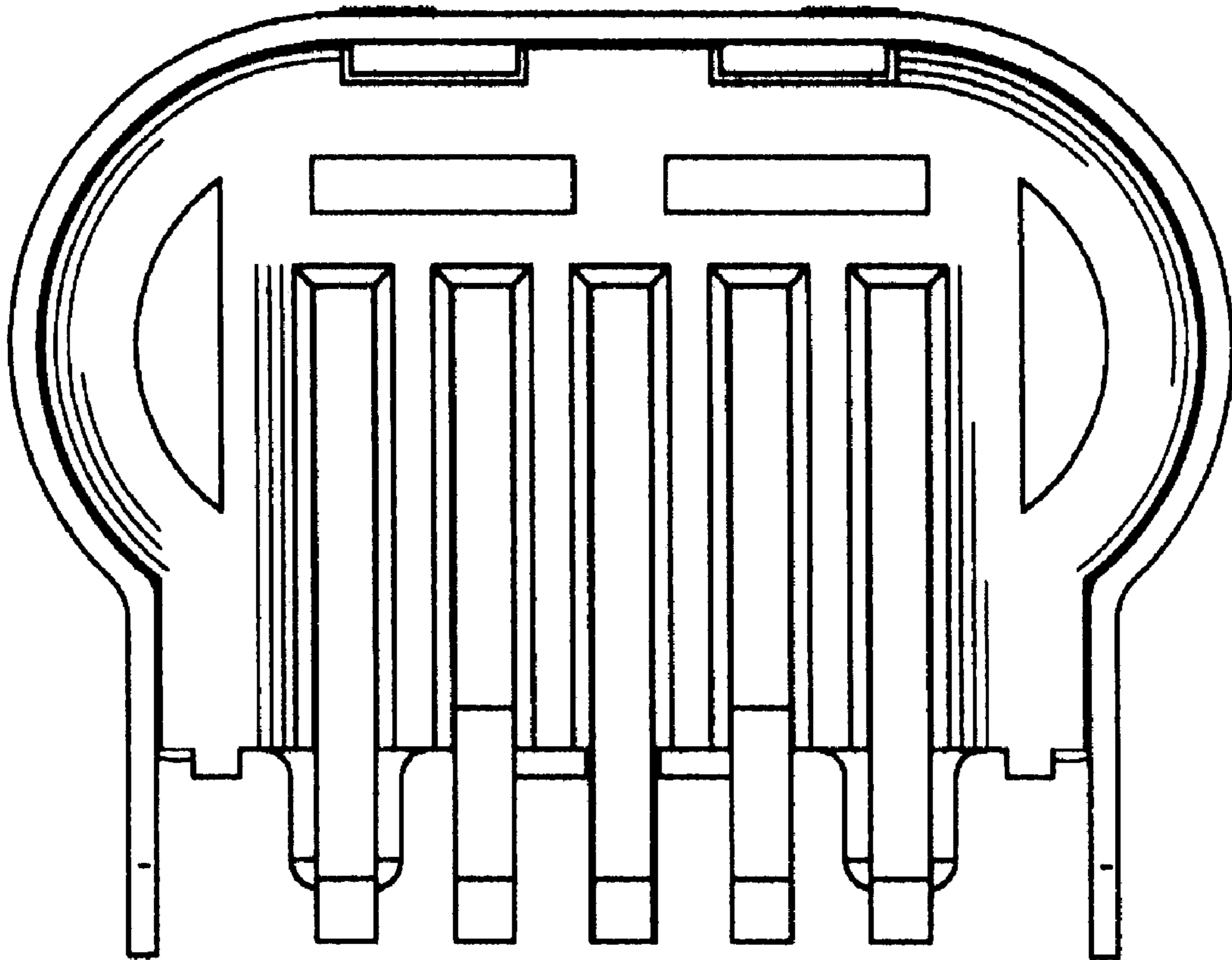


FIG. 3

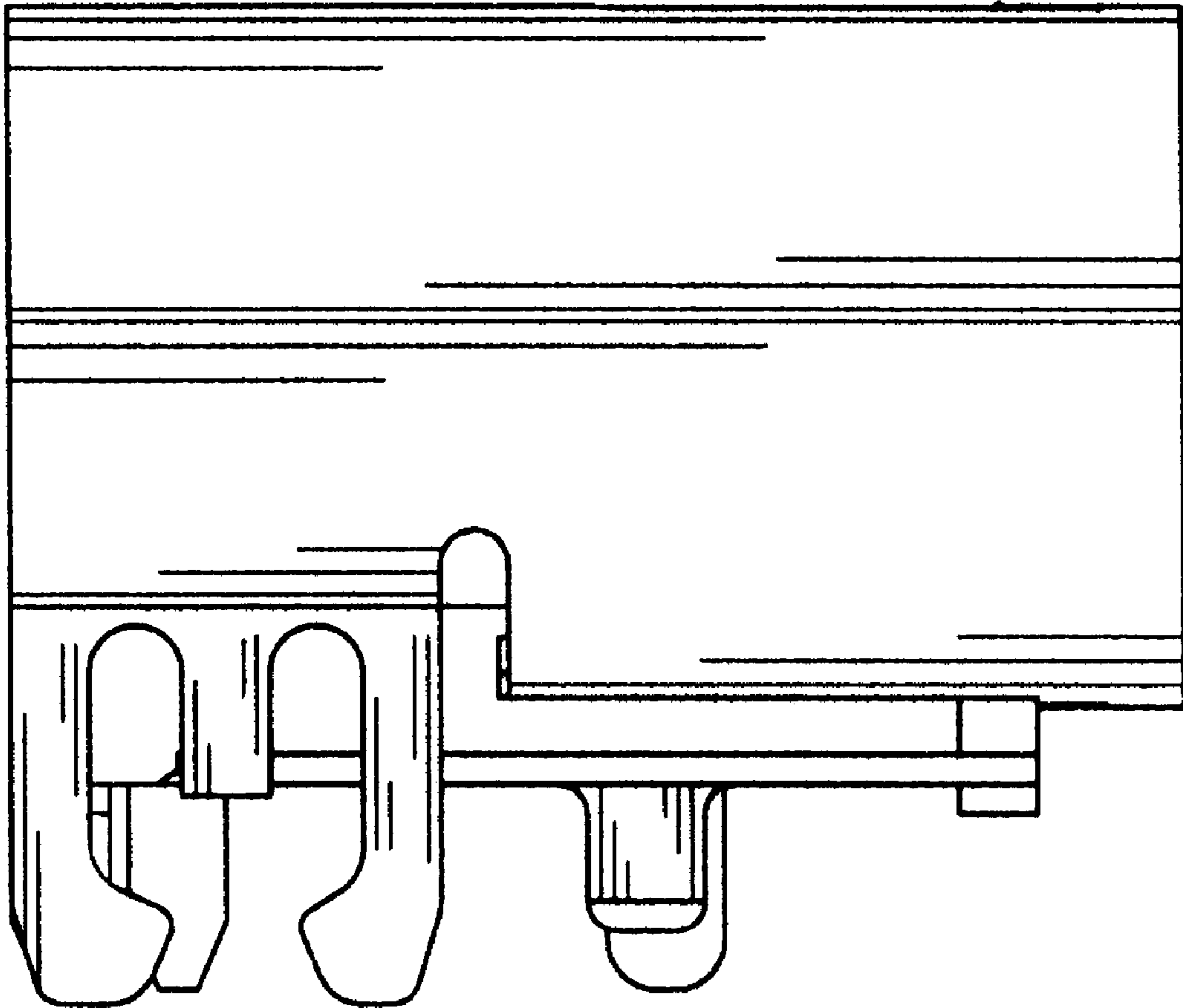


FIG. 4

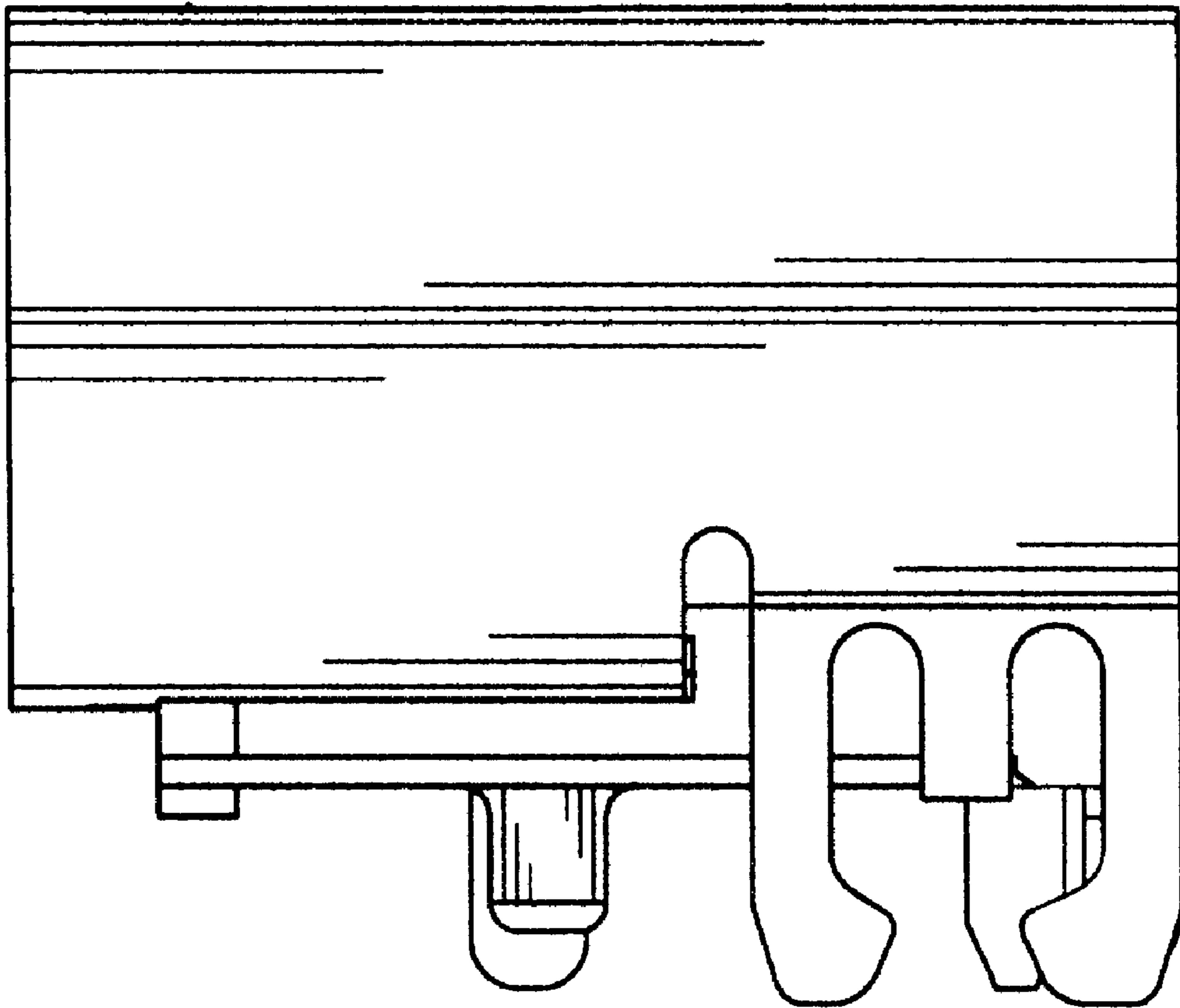


FIG. 5

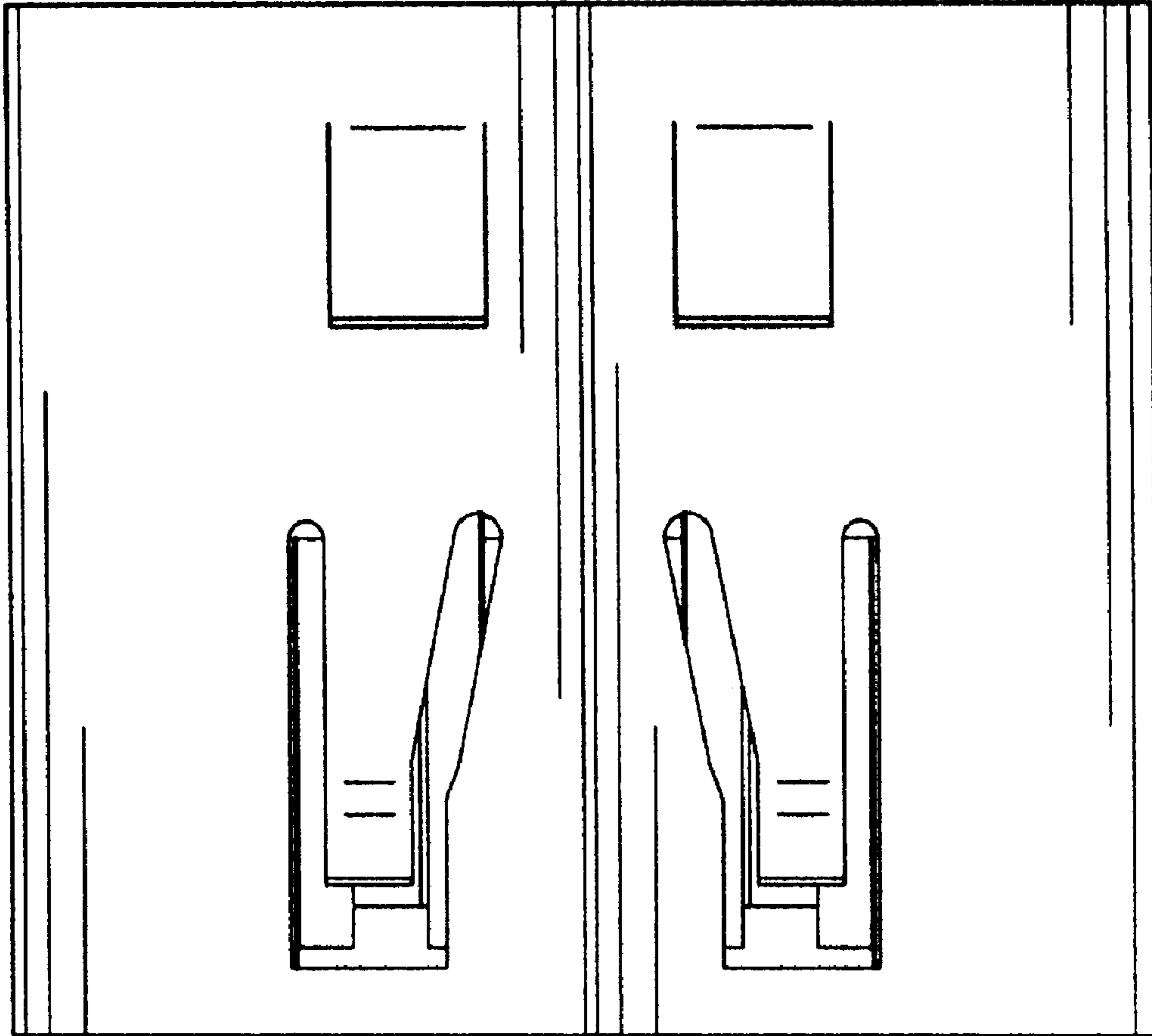


FIG. 6

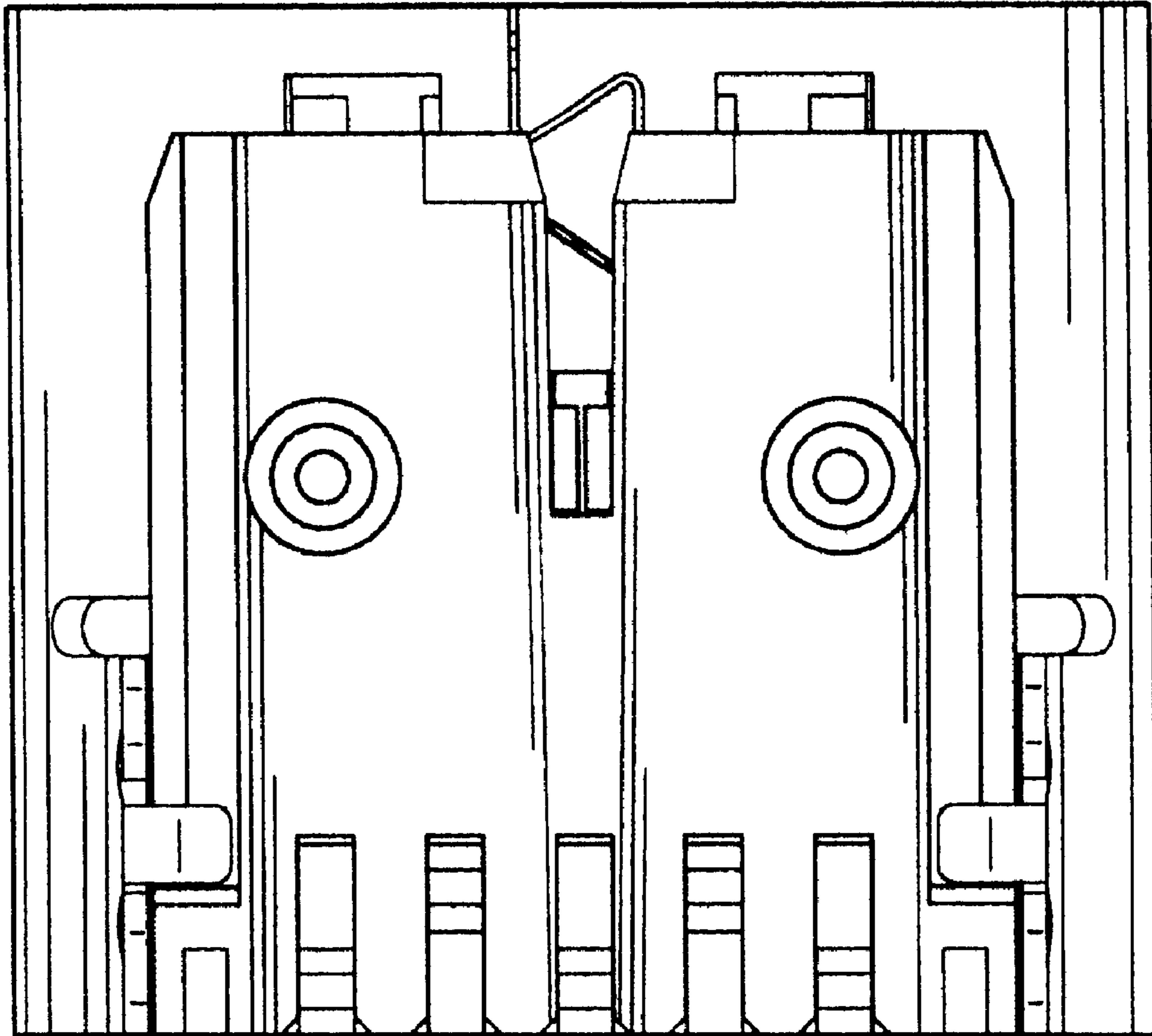


FIG. 7