

US00D522456S

(12) **United States Design Patent**  
**Matsumoto et al.**

(10) **Patent No.:** **US D522,456 S**

(45) **Date of Patent:** **\*\* Jun. 6, 2006**

(54) **CAPACITOR CELL**

(75) Inventors: **Kenji Matsumoto**, Wako (JP); **Mitsuru Ikeo**, Wako (JP); **Norifumi Yasuda**, Wako (JP); **Satoru Asaka**, Wako (JP)

(73) Assignee: **Honda Giken Kogyo Kabushiki Kaisha**, Tokyo (JP)

(\*\*) Term: **14 Years**

(21) Appl. No.: **29/182,530**

(22) Filed: **May 29, 2003**

(30) **Foreign Application Priority Data**

Nov. 29, 2002 (JP) ..... 2002-033079

(51) **LOC (8) Cl.** ..... **13-03**

(52) **U.S. Cl.** ..... **D13/125; D13/180**

(58) **Field of Classification Search** ..... D13/123, D13/125, 133, 180, 182; 257/38, 301, 306, 257/E27.048; 361/328, 329, 763, 809, 811; 438/171, 190, 238, 239, 243, 329, 381  
See application file for complete search history.

(56) **References Cited**

**U.S. PATENT DOCUMENTS**

D306,431 S \* 3/1990 Venturini et al. .... D13/125

6,407,907 B1 \* 6/2002 Ahiko et al. .... 361/306.3  
6,411,492 B1 \* 6/2002 Kar-Roy et al. .... 361/305  
6,765,778 B1 \* 7/2004 Du et al. .... 361/301.4  
D494,931 S \* 8/2004 Kubota et al. .... D13/125  
6,864,526 B1 \* 3/2005 Inbe ..... 257/300  
6,922,326 B1 \* 7/2005 Kubota et al. .... 361/274.1  
2003/0169560 A1 \* 9/2003 Welsch et al. .... 361/524

\* cited by examiner

*Primary Examiner*—Stella Reid  
*Assistant Examiner*—Selina Sikder

(74) *Attorney, Agent, or Firm*—Arent Fox PLLC

(57) **CLAIM**

The ornamental design for a capacitor cell, as shown and described.

**DESCRIPTION**

FIG. 1 is a front view of a capacitor cell showing our new design.

FIG. 2 is a rear view thereof.

FIG. 3 is a left side view thereof.

FIG. 4 is a front perspective view thereof; and,

FIG. 5 is a rear perspective view thereof.

A right side view, plan view and bottom view are omitted as the right side view is symmetrical with the left side view and the plan view and bottom view are identical.

**1 Claim, 2 Drawing Sheets**

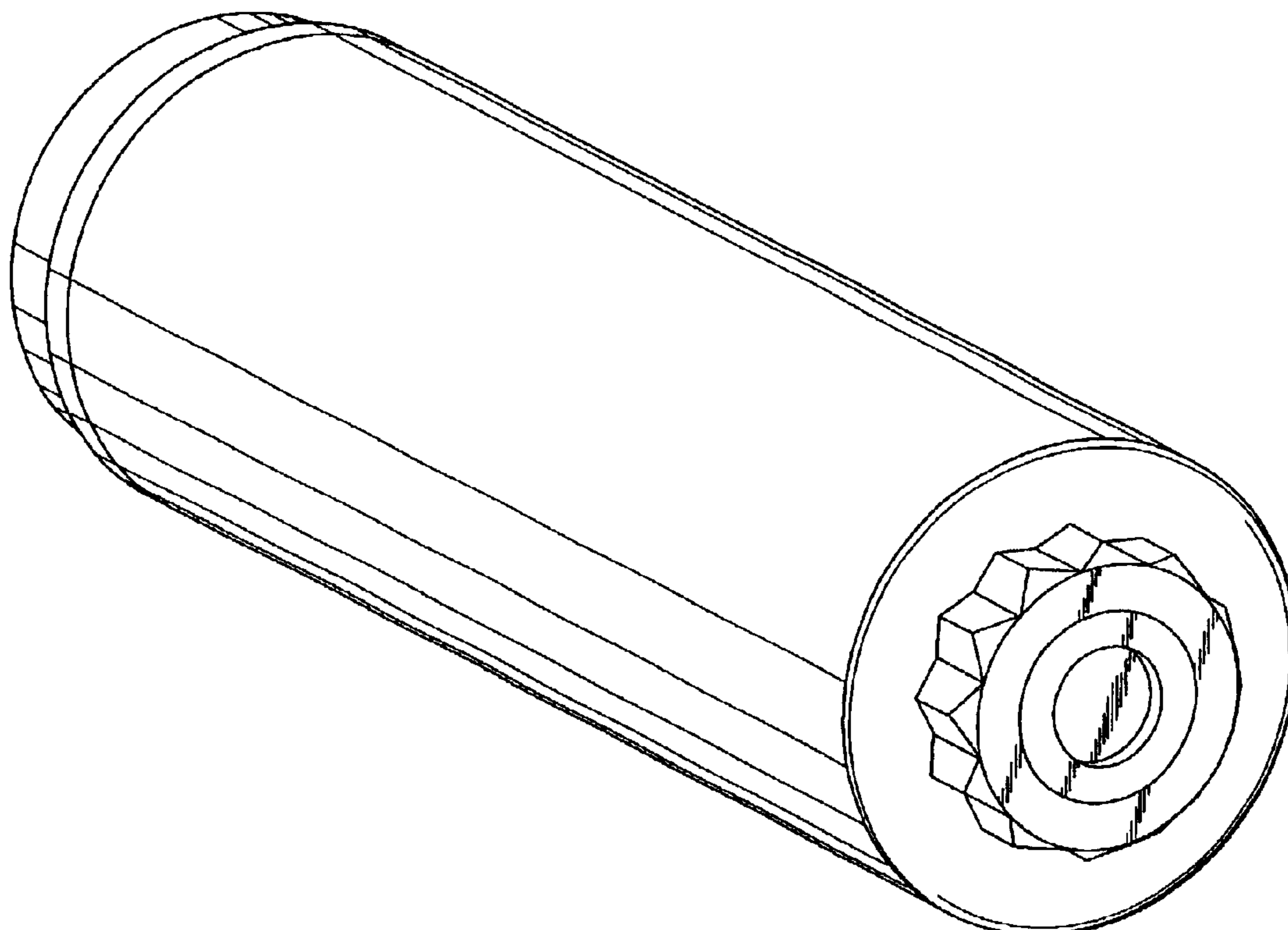


FIG.1

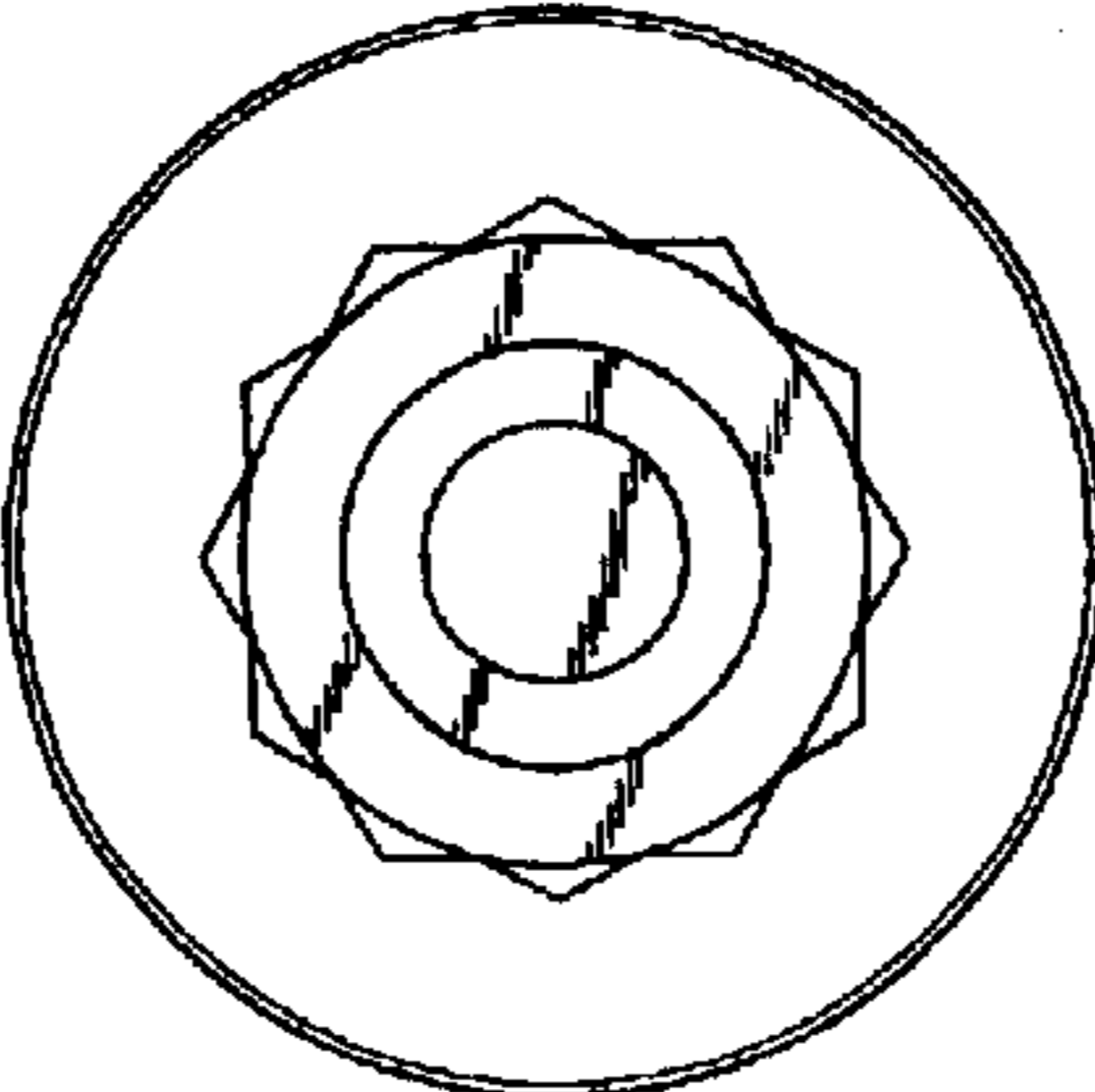


FIG.2

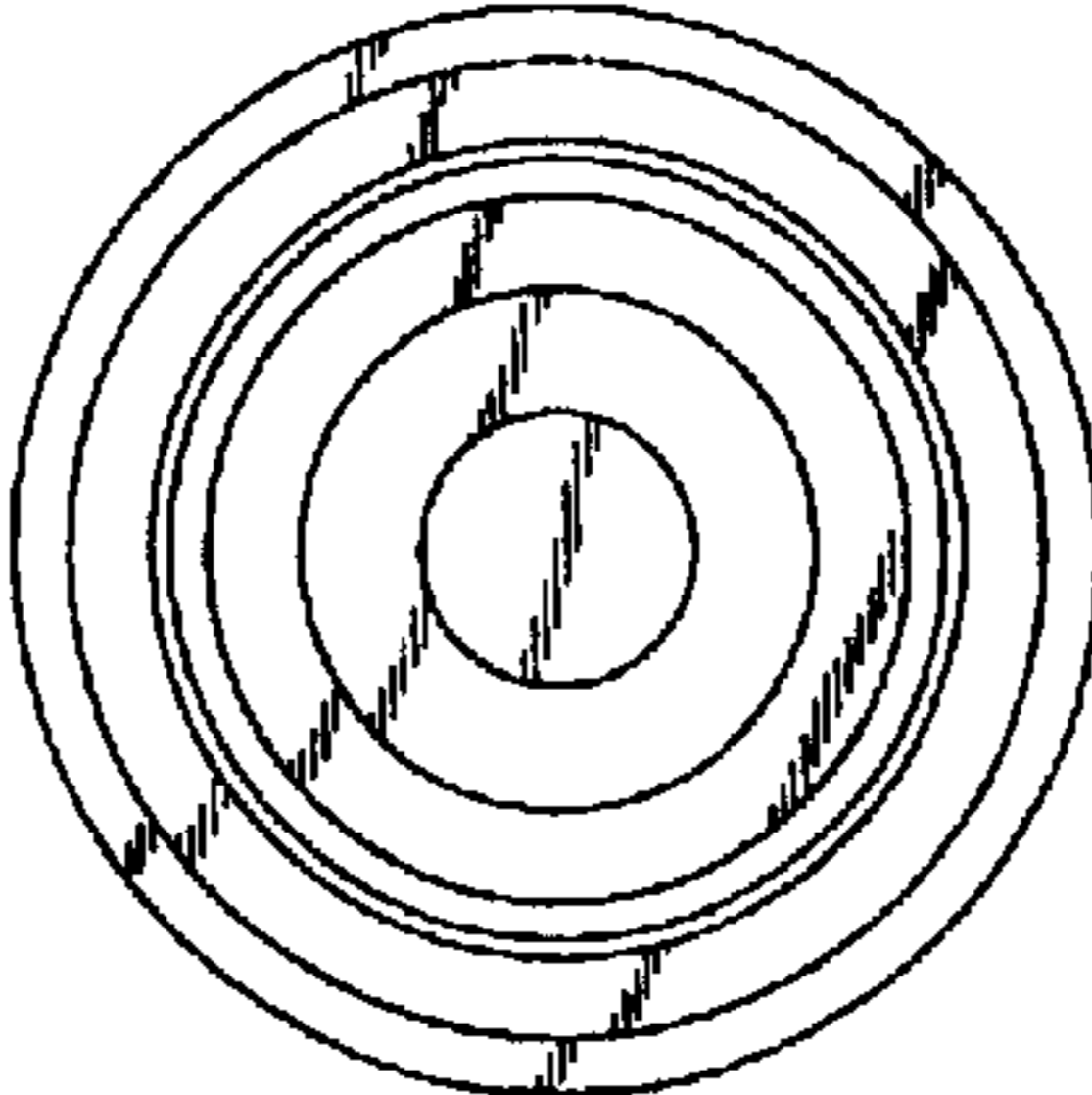


FIG.3

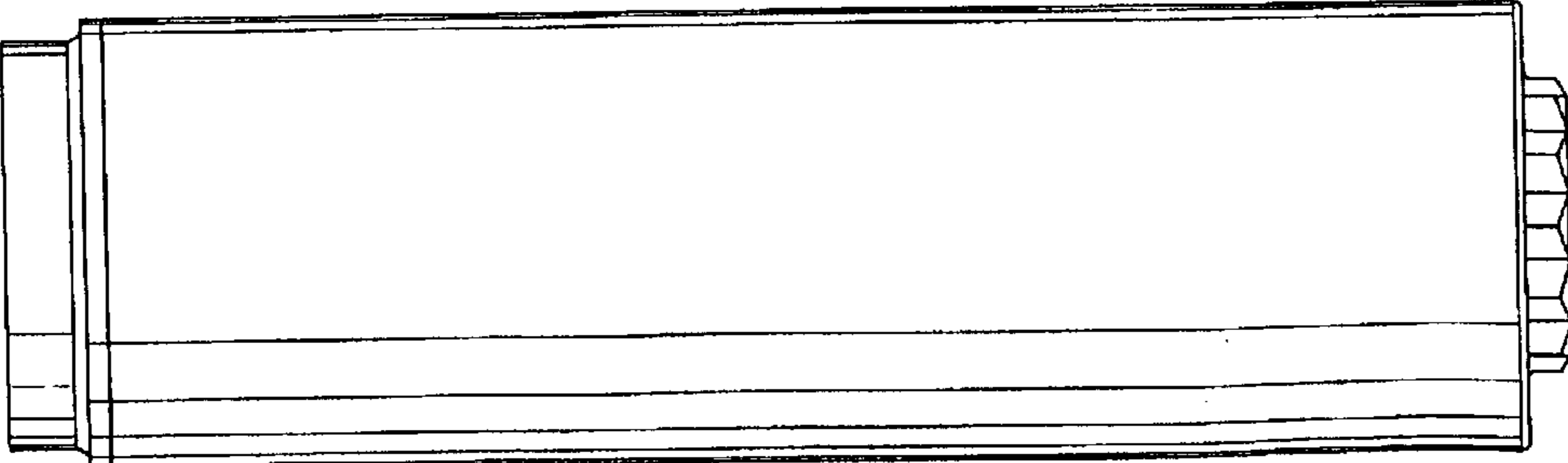


FIG.4

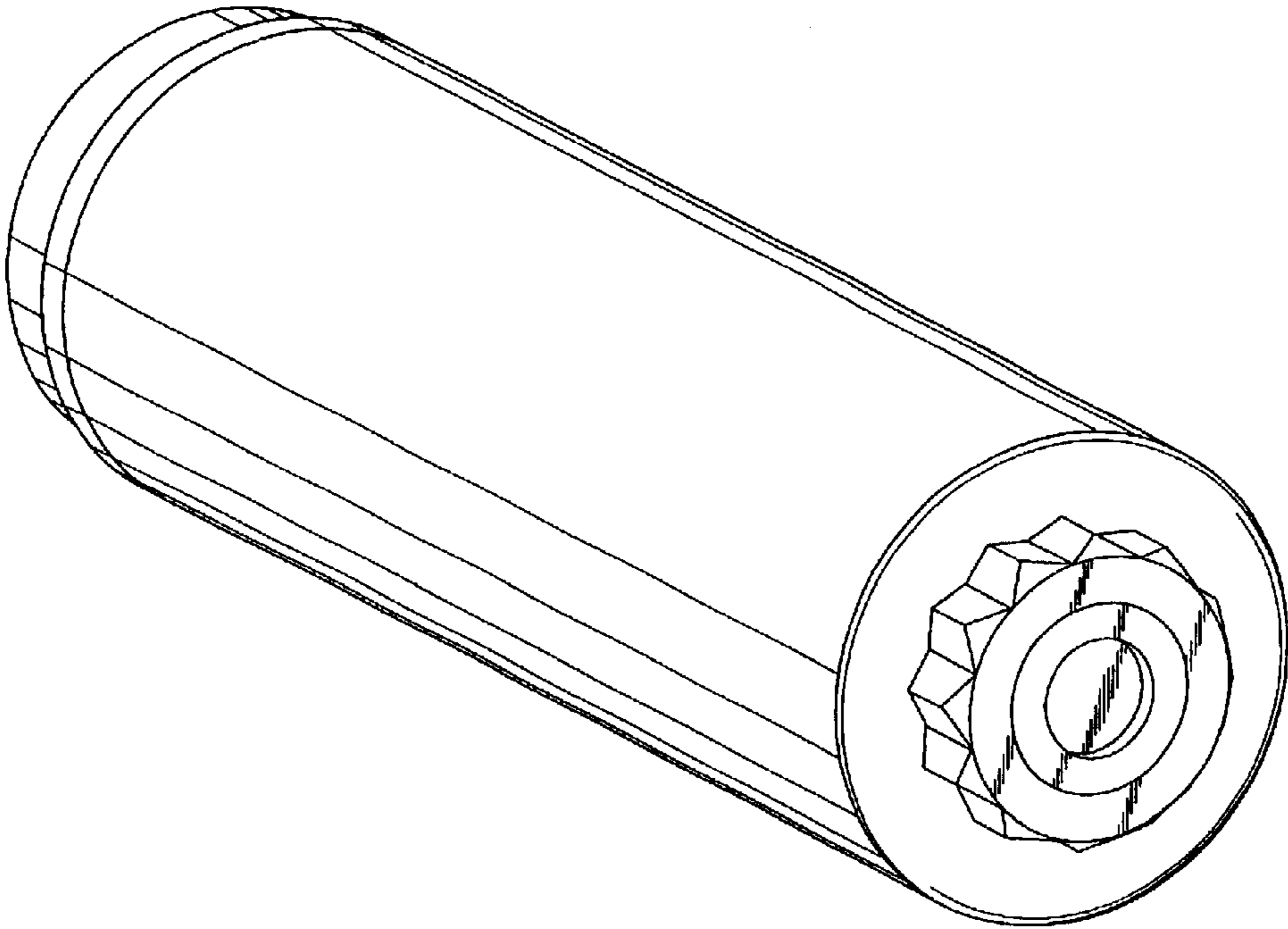


FIG.5

