



US00D522455S

(12) **United States Design Patent**
Nishimura

(10) **Patent No.:** **US D522,455 S**

(45) **Date of Patent:** **** Jun. 6, 2006**

(54) **STATOR-CORE OF A MOTOR**

(75) Inventor: **Shigeki Nishimura**, Gifu (JP)

(73) Assignee: **Matsushita Electric Industrial Co., Ltd.**, Osaka (JP)

(**) Term: **14 Years**

(21) Appl. No.: **29/188,096**

(22) Filed: **Aug. 13, 2003**

(51) **LOC (8) Cl.** **13-01**

(52) **U.S. Cl.** **D13/122**

(58) **Field of Classification Search** D13/118,
D13/122; 29/598; 310/156, 199, 201, 216,
310/254-271

See application file for complete search history.

(56) **References Cited**

U.S. PATENT DOCUMENTS

6,170,146	B1	*	1/2001	Katagiri et al.	29/597
D443,585	S	*	6/2001	Shida et al.	D13/122
6,772,503	B1	*	8/2004	Fathimulla et al.	29/598
6,777,839	B1	*	8/2004	Casey et al.	310/68 D
6,791,225	B1	*	9/2004	Campbell et al.	310/181
2002/0190601	A1	*	12/2002	Hornig et al.	310/254
2005/0029894	A1	*	2/2005	Egawa et al.	310/216
2005/0212375	A1	*	9/2005	Yamamoto et al.	310/216

FOREIGN PATENT DOCUMENTS

JP P2000-184631 A 6/2000

* cited by examiner

Primary Examiner—Stella Reid

Assistant Examiner—Daniel Bui

(74) *Attorney, Agent, or Firm*—Brinks Hofer Gilson & Lione

(57) **CLAIM**

I claim the ornamental design for a stator-core of a motor, as shown and described.

DESCRIPTION

FIG. 1 is a top perspective view of a stator-core of a motor of the present invention;

FIG. 2 is a rear view thereof;

FIG. 3 is a bottom view thereof;

FIG. 4 is a front view thereof;

FIG. 5 is a top view thereof;

FIG. 6 is a left side view thereof;

FIG. 7 is a right side view thereof;

FIG. 8 is a top perspective view of a stator-core of a motor in a stacked configuration;

FIG. 9 is a front view thereof;

FIG. 10 is a top view thereof;

FIG. 11 is a right side view thereof;

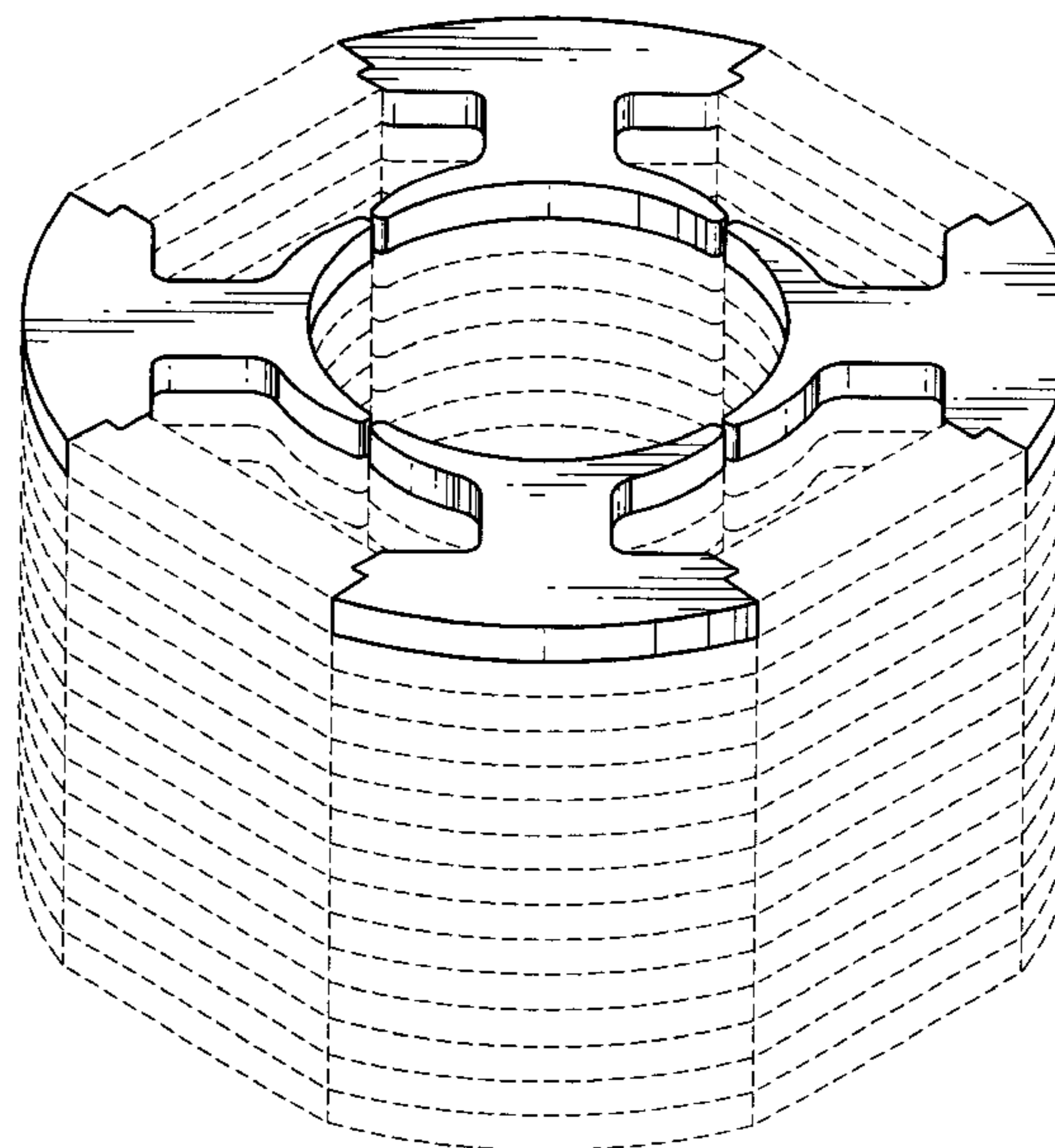
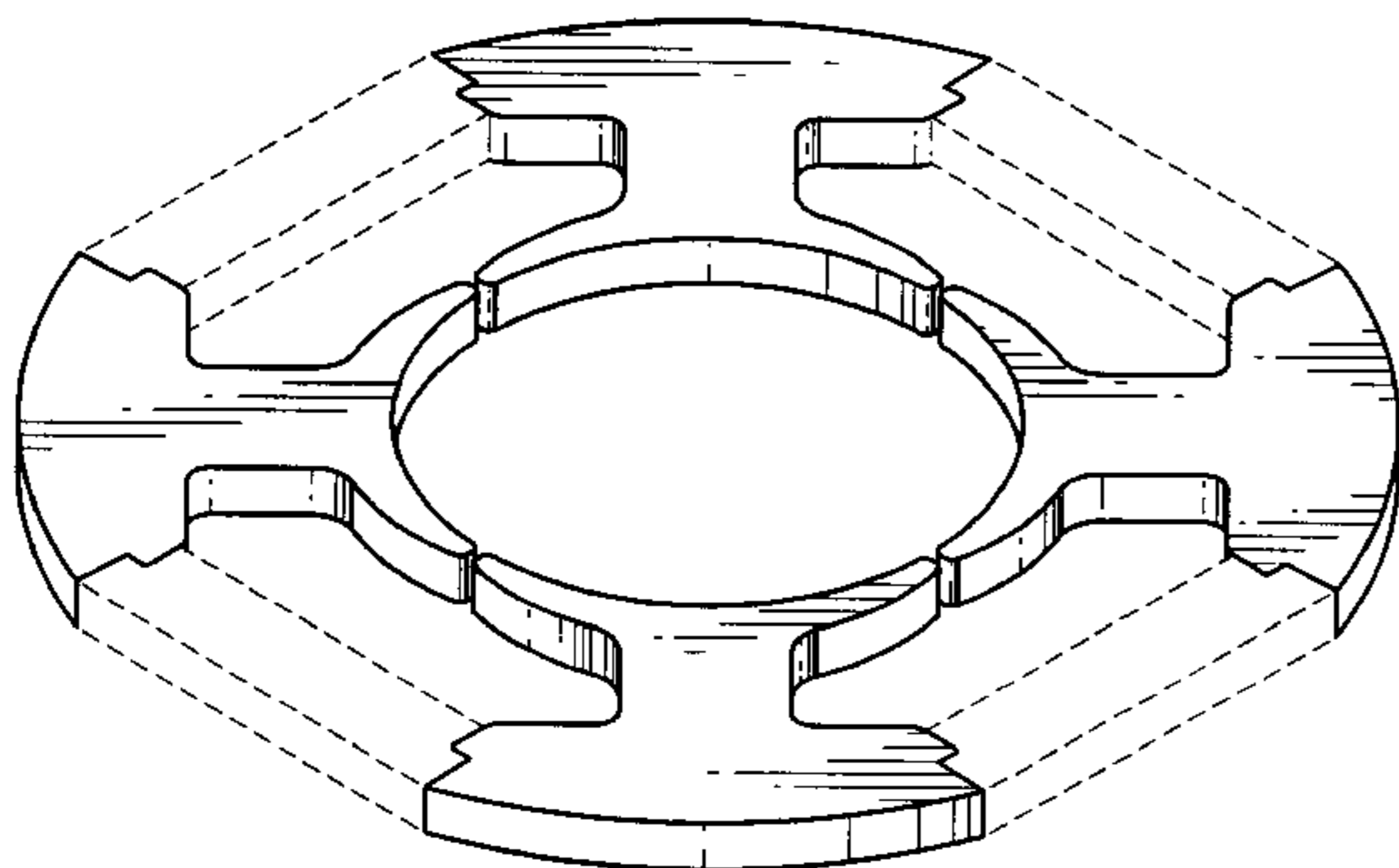
FIG. 12 is a left side view thereof;

FIG. 13 is a bottom view thereof; and,

FIG. 14 is a rear view thereof.

The ornamental design which is claimed is shown in solid lines in the drawings. Any broken lines in the drawings are for illustrative purposes only and form no part of the claimed design.

1 Claim, 10 Drawing Sheets



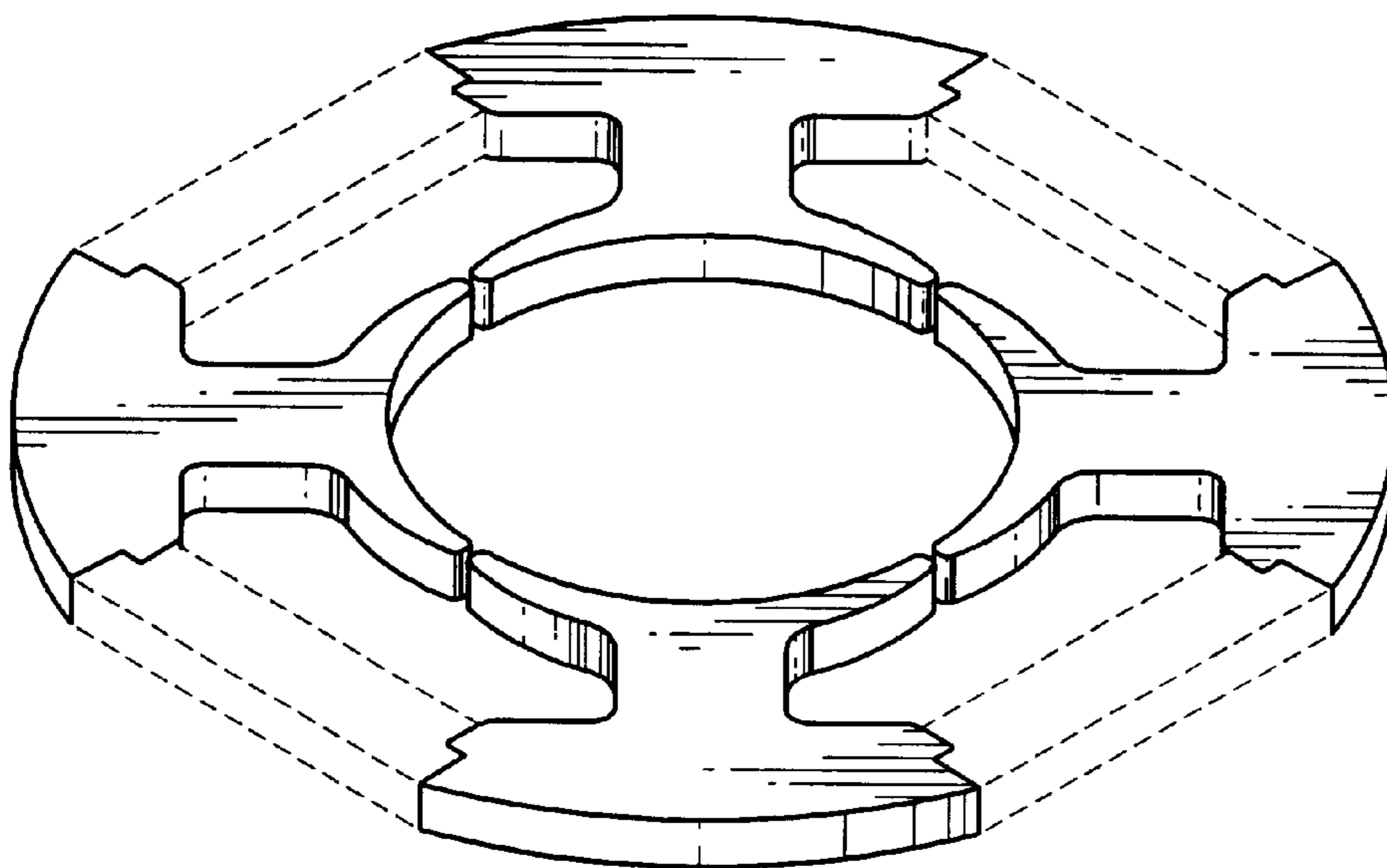


FIG. 1

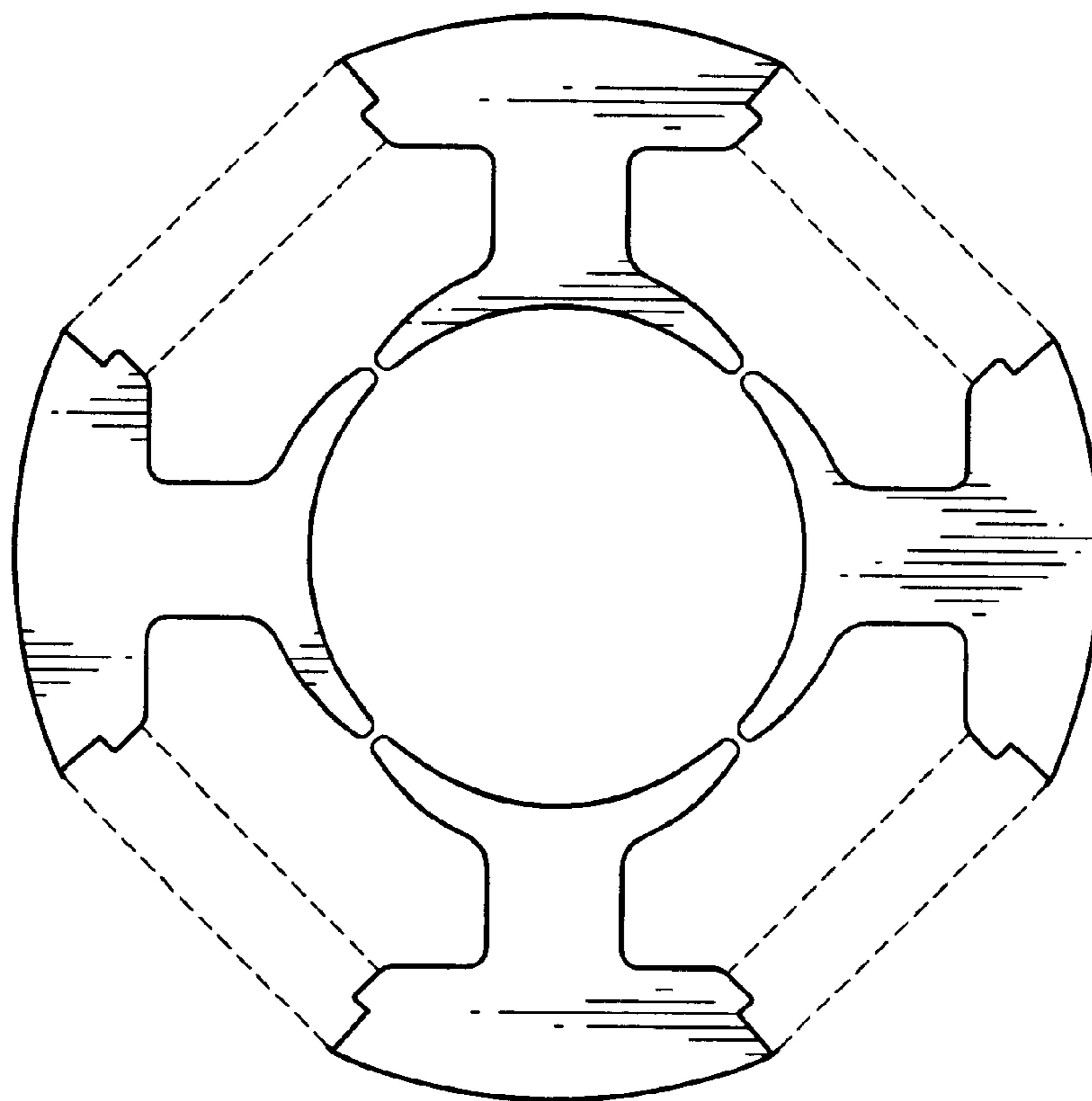


FIG. 2



FIG. 3

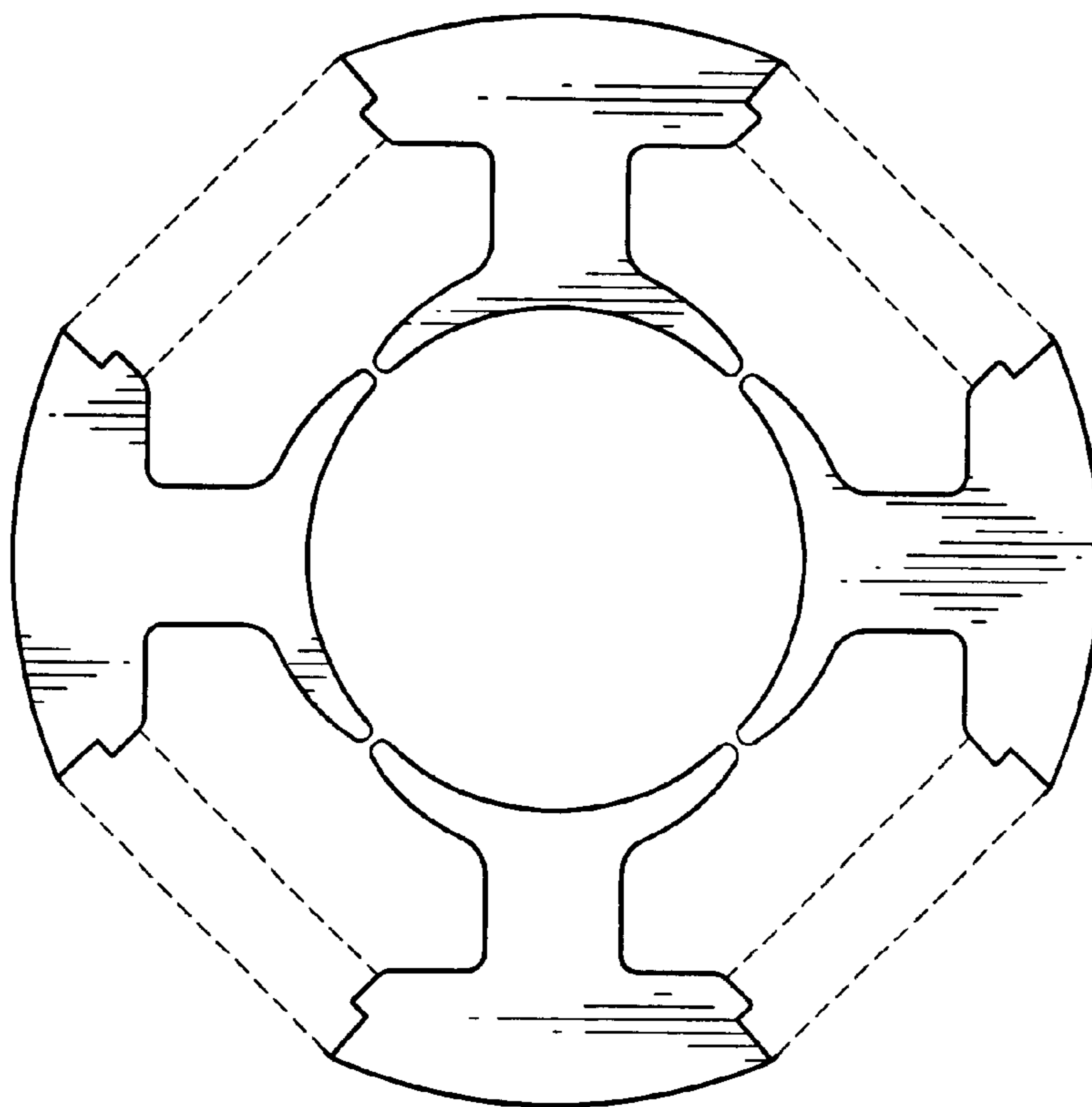


FIG. 4



FIG. 5



FIG. 6



FIG. 7

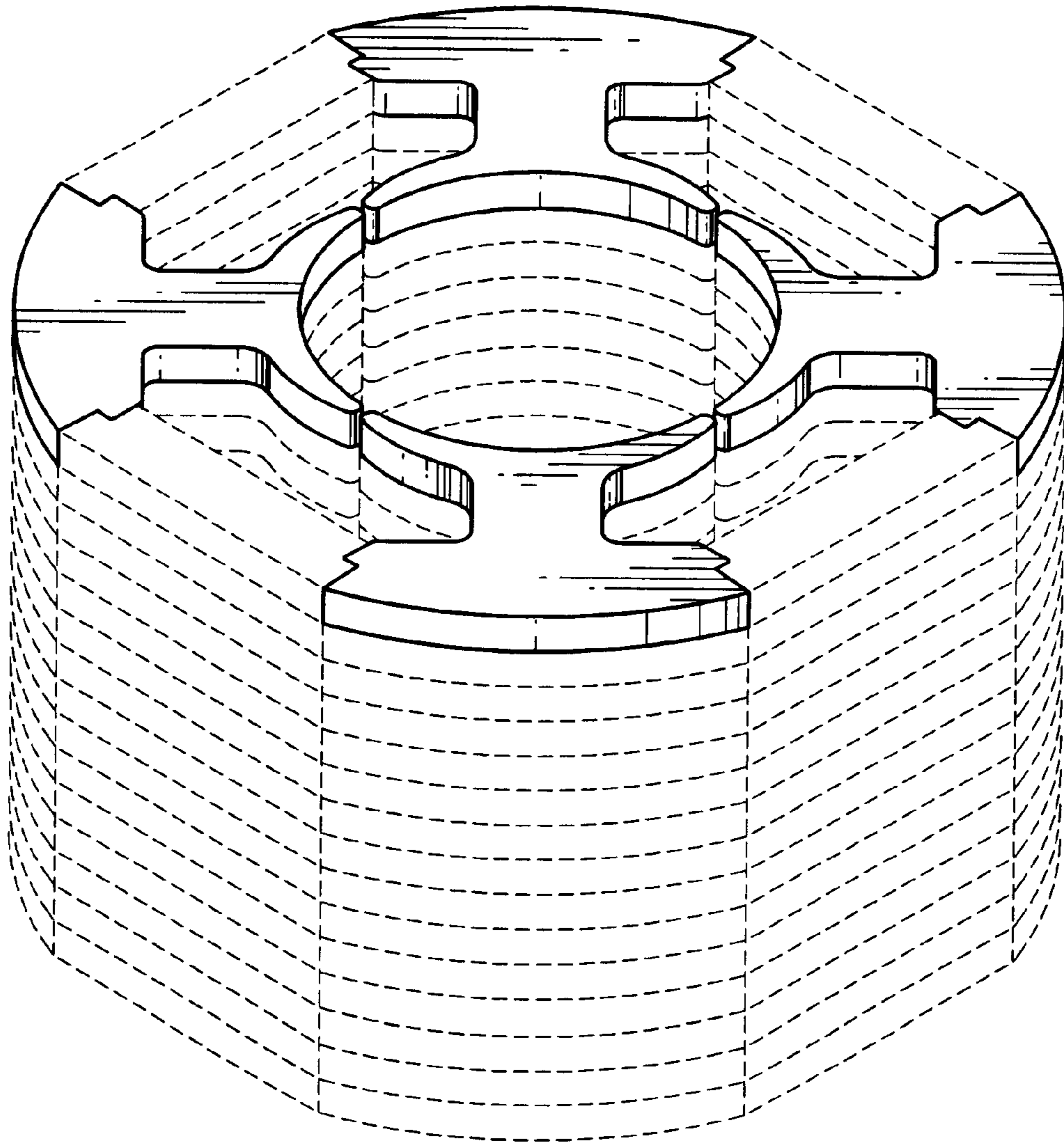


FIG. 8

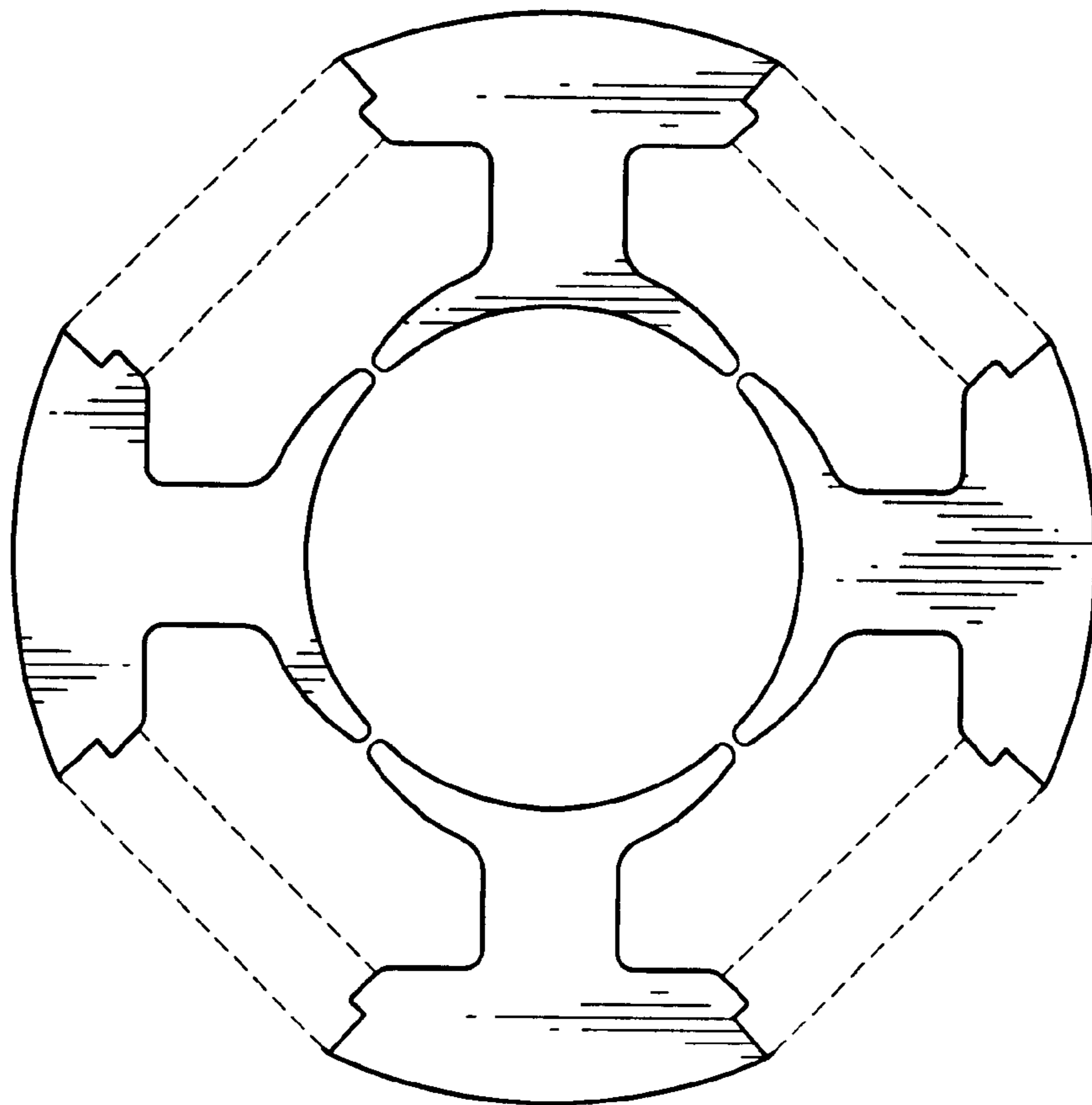


FIG. 9

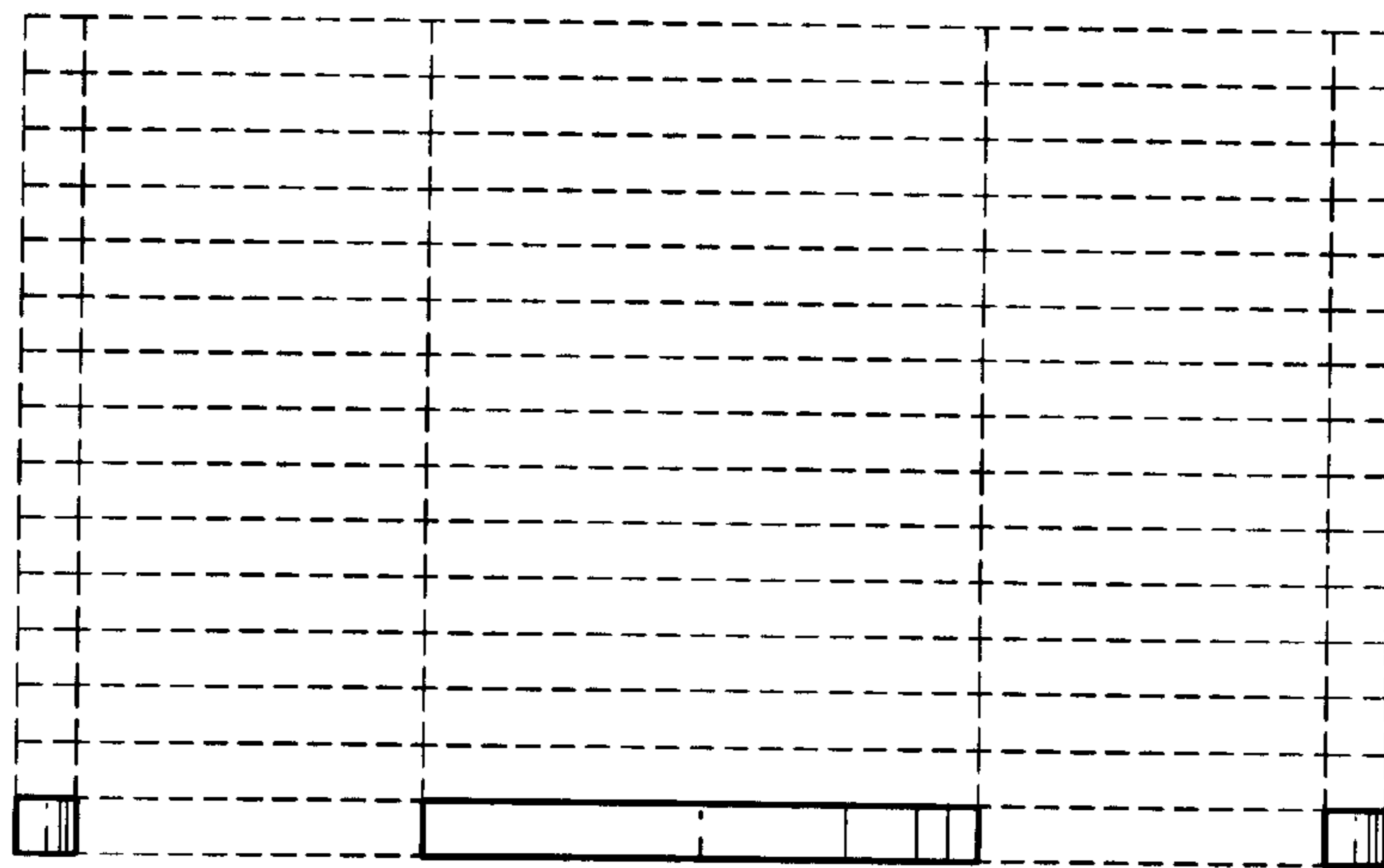


FIG. 10

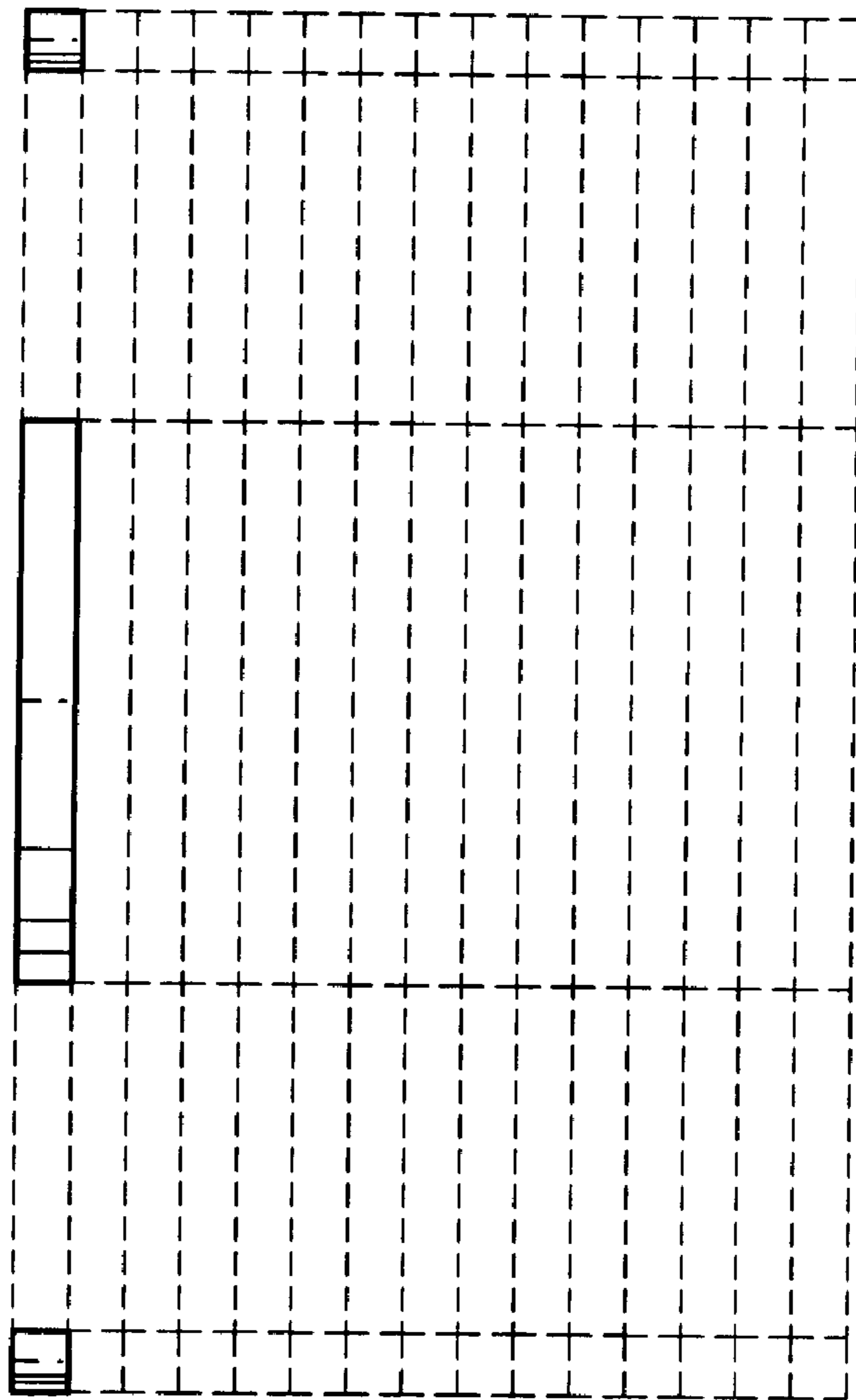


FIG. 11

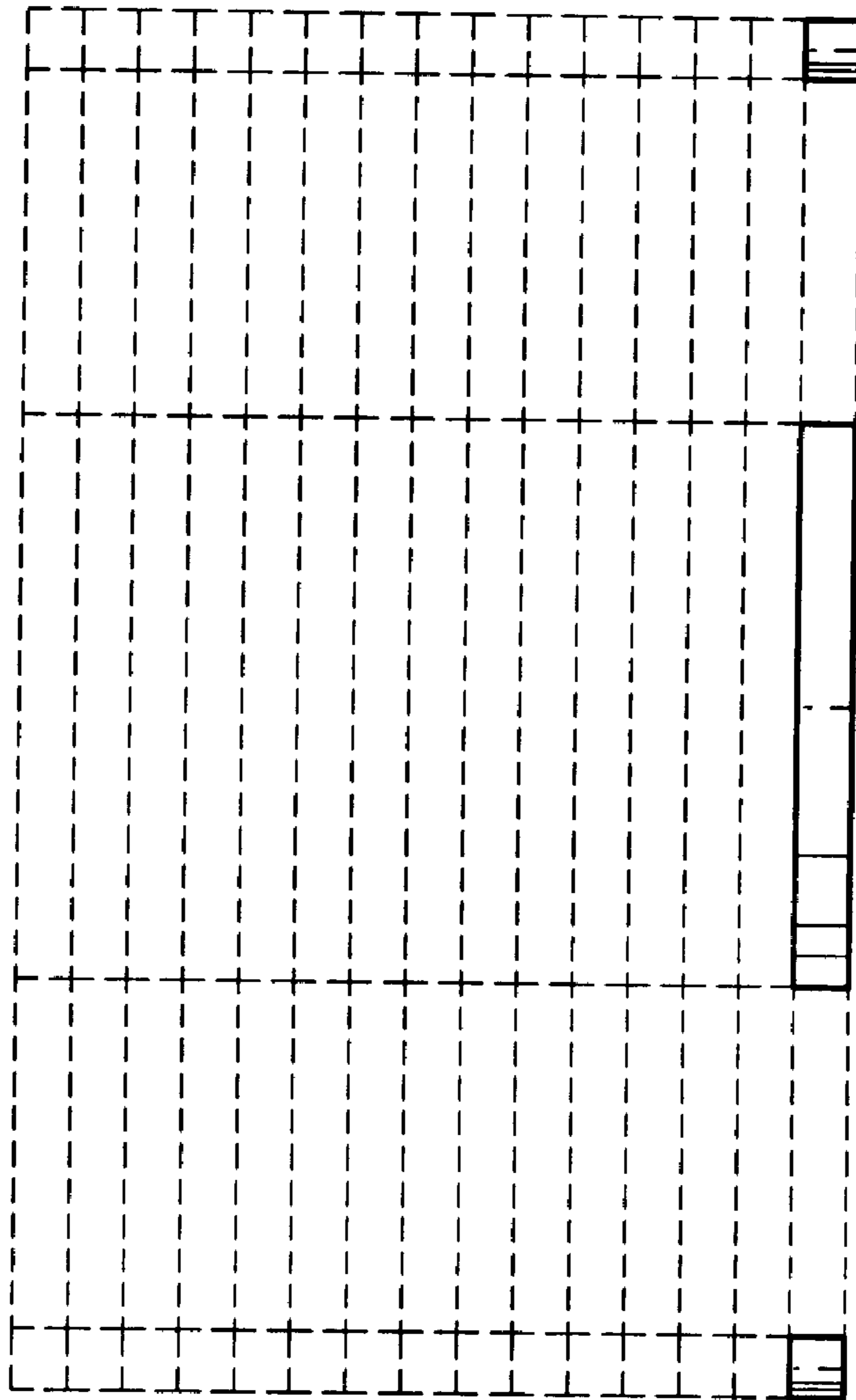


FIG. 12

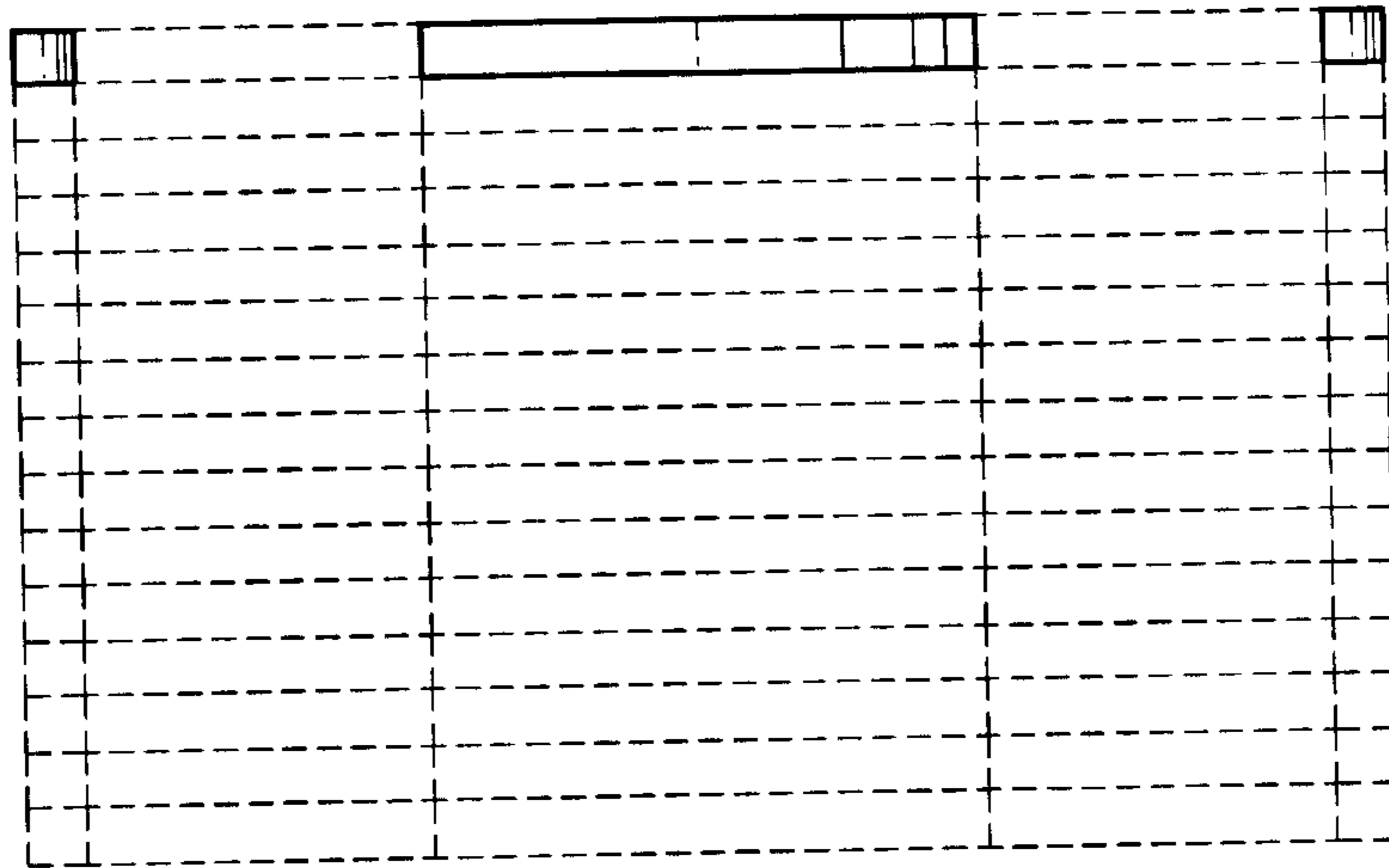


FIG. 13

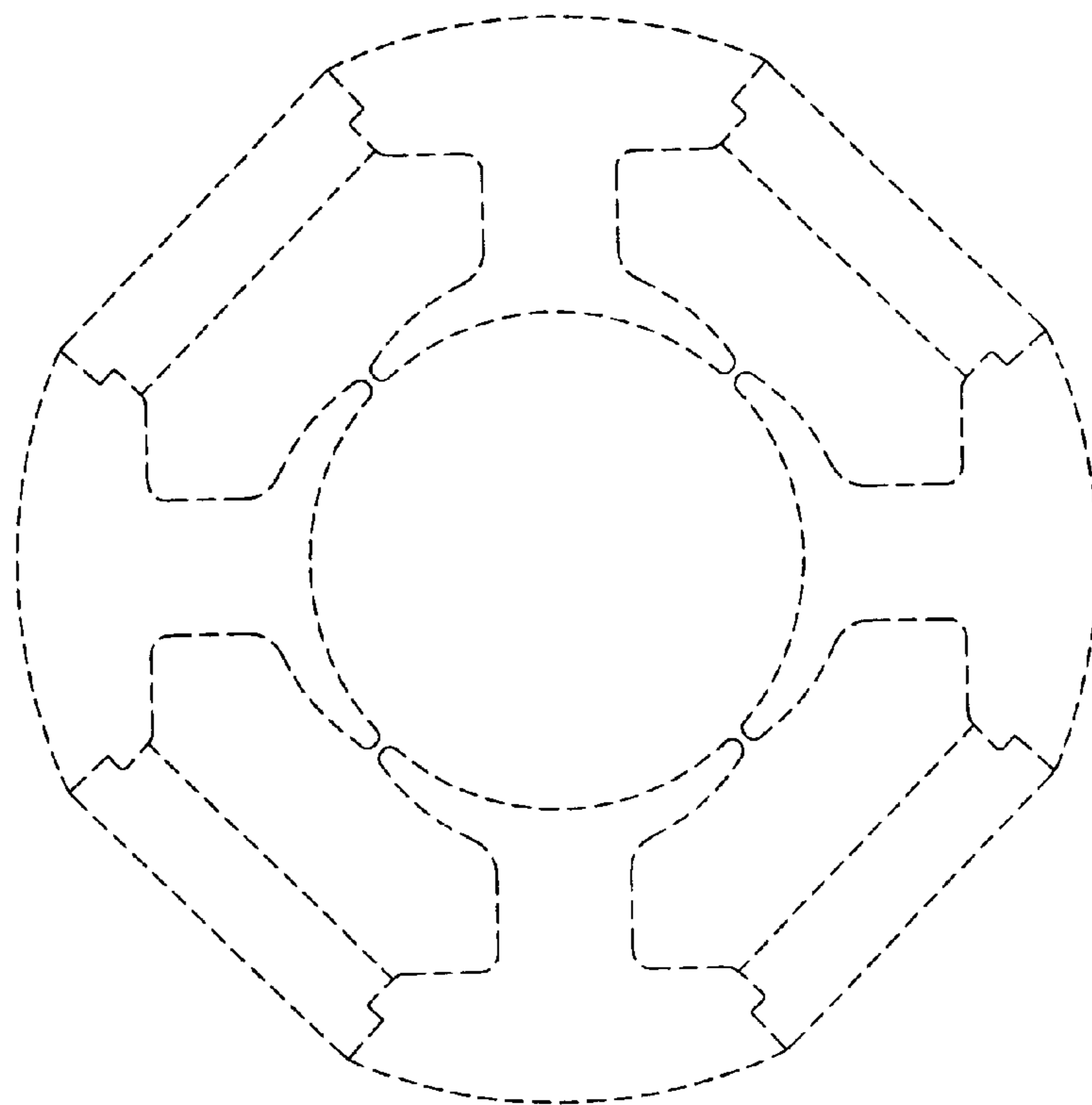


FIG. 14