

US00D522453S

(12) **United States Design Patent**  
**Miller**

(10) **Patent No.:** **US D522,453 S**

(45) **Date of Patent:** **\*\* Jun. 6, 2006**

(54) **BATTERY TERMINAL**

(75) **Inventor:** **David Eli Miller, Vancouver (CA)**

(73) **Assignee:** **Xantrex International, St. Michael (BB)**

(\*\*) **Term:** **14 Years**

(21) **Appl. No.:** **29/218,104**

(22) **Filed:** **Nov. 29, 2004**

(51) **LOC (8) Cl.** ..... **13-03**

(52) **U.S. Cl.** ..... **D13/120**

(58) **Field of Classification Search** ..... D13/119-121,  
D13/133, 146, 184, 199; 439/521-522, 623,  
439/757, 773, 798, 814, 892

See application file for complete search history.

(56) **References Cited**

**U.S. PATENT DOCUMENTS**

1,359,280 A	11/1920	Schwartz	.....	439/699.1
2,174,382 A	9/1939	Elder et al.	.....	174/50.54
3,717,805 A	2/1973	Gnaedinger et al.	.....	321/8 R
4,186,339 A	1/1980	Finger	.....	324/142
4,872,102 A	10/1989	Getter	.....	363/141
5,133,668 A	7/1992	Brown, IV	.....	439/620
5,170,336 A	12/1992	Getter et al.	.....	363/141
D332,942 S	* 2/1993	Julien	.....	D13/184
5,266,055 A	11/1993	Naito et al.	.....	439/620
5,293,145 A	3/1994	Rynkiewicz	.....	336/65
5,409,401 A	4/1995	Schaarschmidt et al.	....	439/620
D360,871 S	* 8/1995	Wilson	.....	D13/133
5,488,352 A	1/1996	Jasper	.....	340/431
5,600,550 A	2/1997	Cook, II	.....	363/58
D394,242 S	* 5/1998	Park	.....	D13/146

D415,733 S	* 10/1999	Wu	.....	D13/146
D419,958 S	* 2/2000	Peterson et al.	.....	D13/120
D421,740 S	* 3/2000	Peterson et al.	.....	D13/120
6,068,513 A	5/2000	Cameron et al.	.....	439/620
6,645,004 B1	* 11/2003	Mudge	.....	439/521
2003/0139090 A1	* 7/2003	Mudge	.....	439/521

**FOREIGN PATENT DOCUMENTS**

EP	0090774	1/1989
FR	1198282	6/1958

\* cited by examiner

*Primary Examiner*—Alan P. Douglas

*Assistant Examiner*—Rosemary K. Tarcza

(74) *Attorney, Agent, or Firm*—Dowell & Dowell, P.C.

(57) **CLAIM**

The ornamental design for battery terminal, as shown and described.

**DESCRIPTION**

FIG. 1 is a perspective view of a battery terminal according to our new design;

FIG. 2 is a right hand side elevational view of the battery terminal of FIG. 1;

FIG. 3 is a top plan view of the battery terminal of FIG. 1;

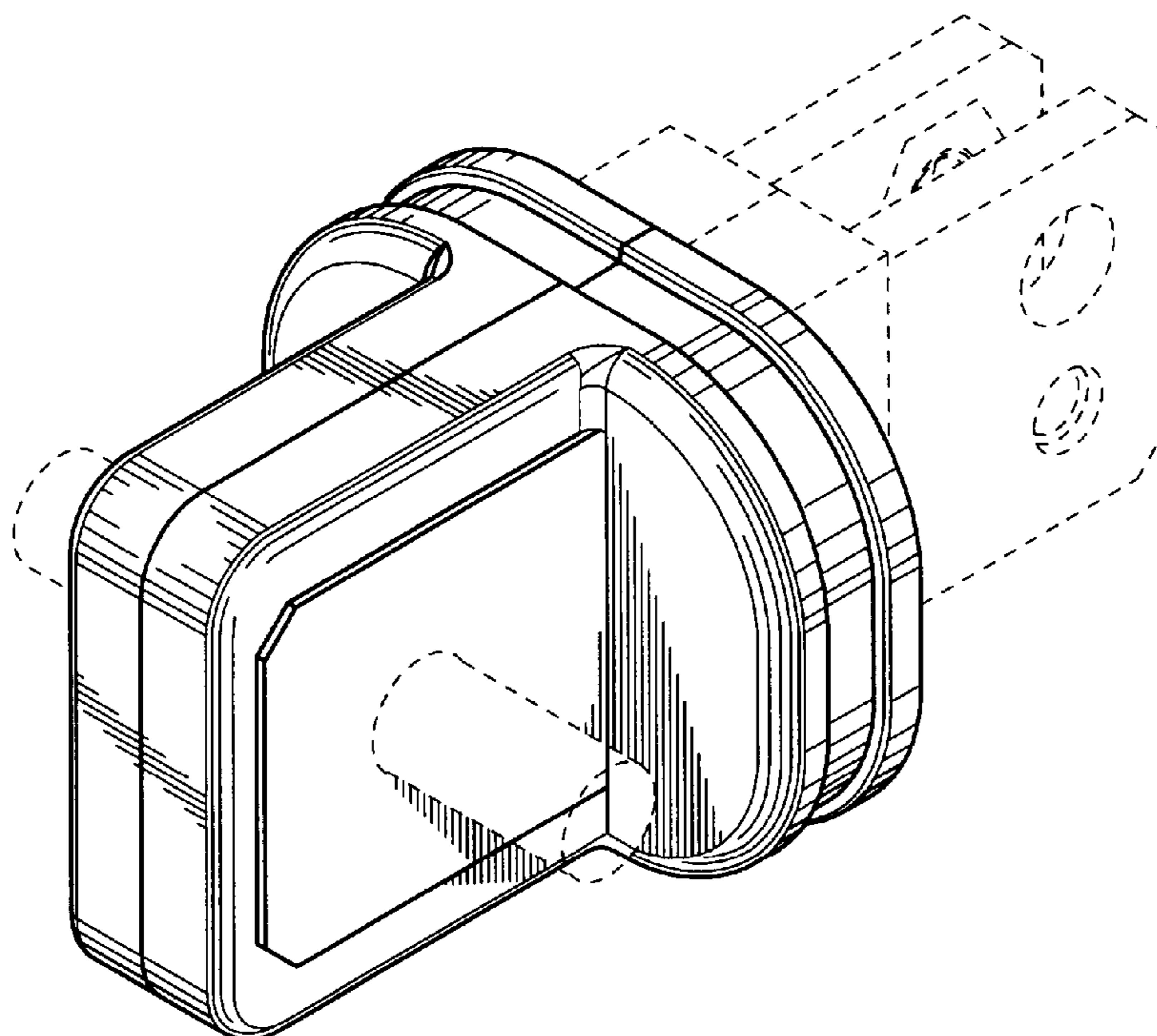
FIG. 4 is a front elevational view of the battery terminal of FIG. 1;

FIG. 5 is a bottom view of the battery terminal of FIG. 1;

FIG. 6 is a left hand side elevational view of the battery terminal of FIG. 1; and,

FIG. 7 is a rear elevational view of the battery terminal of FIG. 1.

**1 Claim, 3 Drawing Sheets**



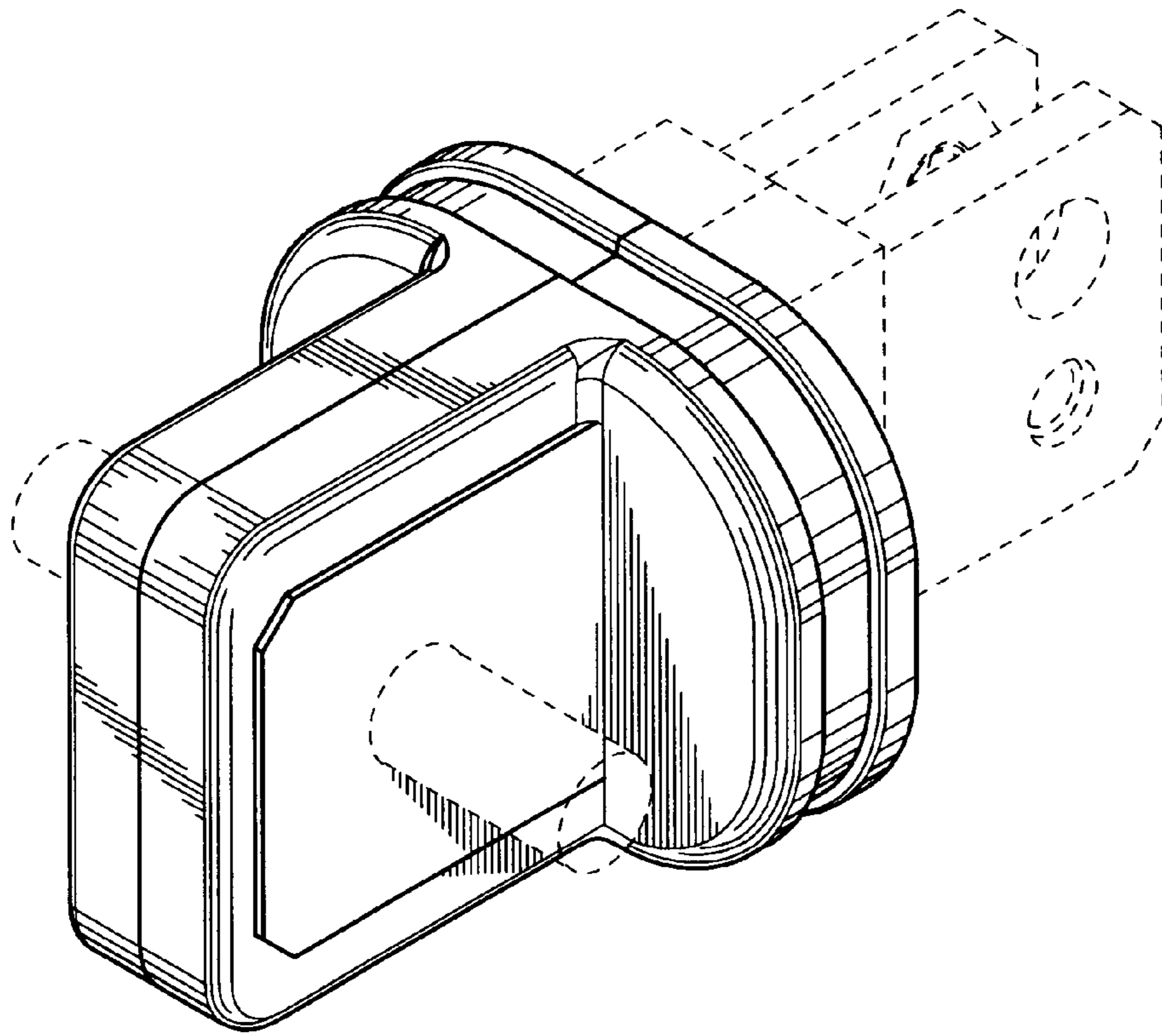


FIG. 1

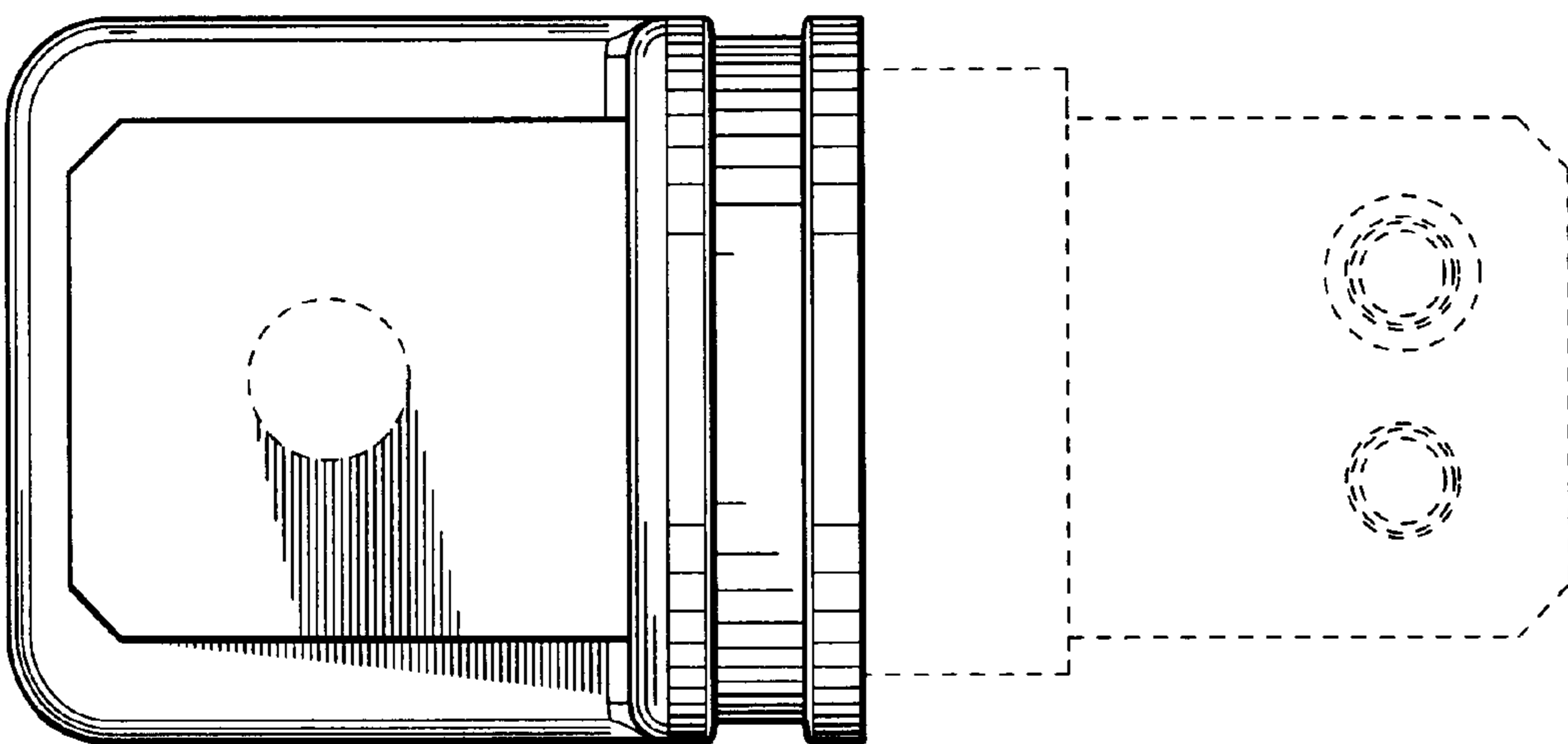


FIG. 2

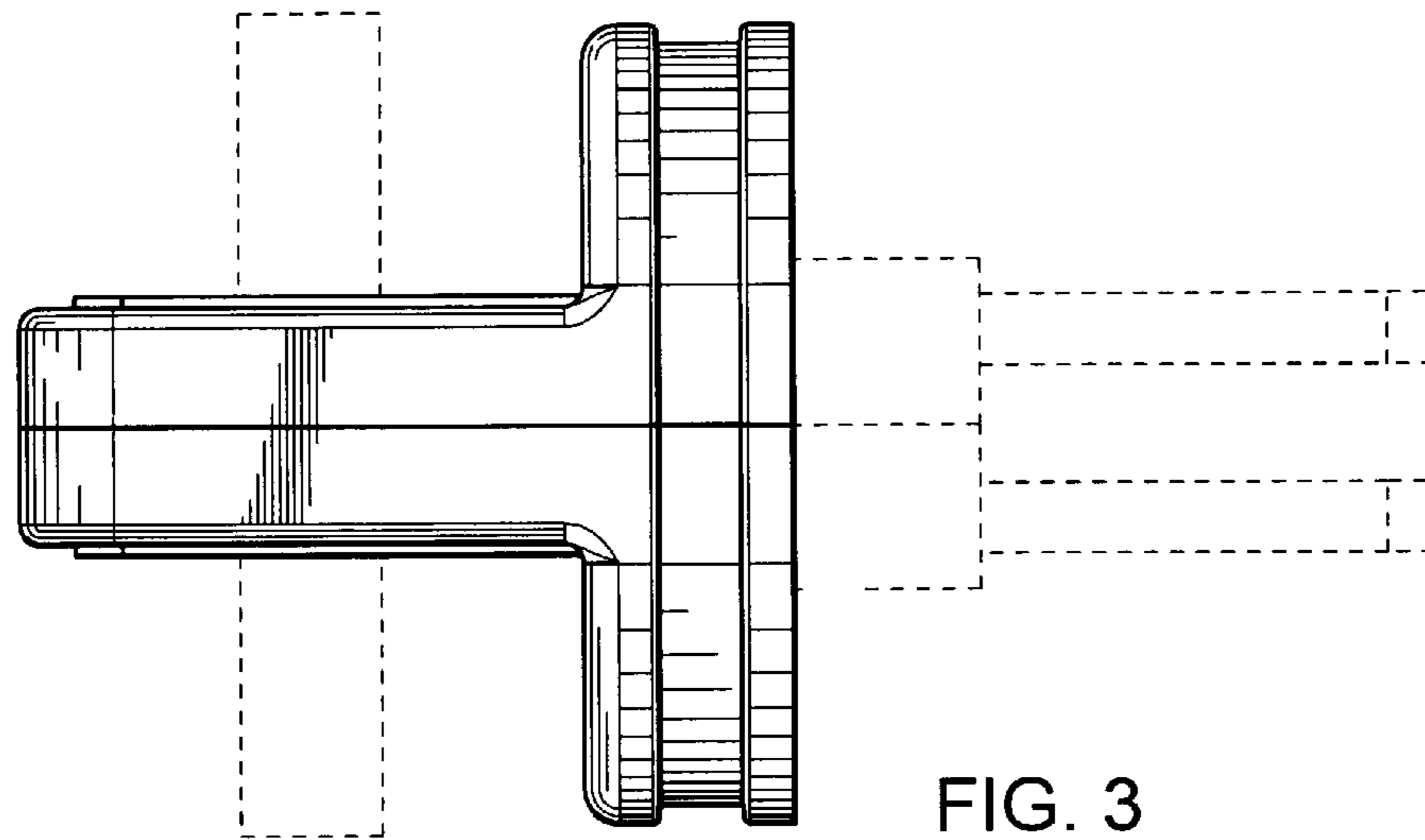


FIG. 3

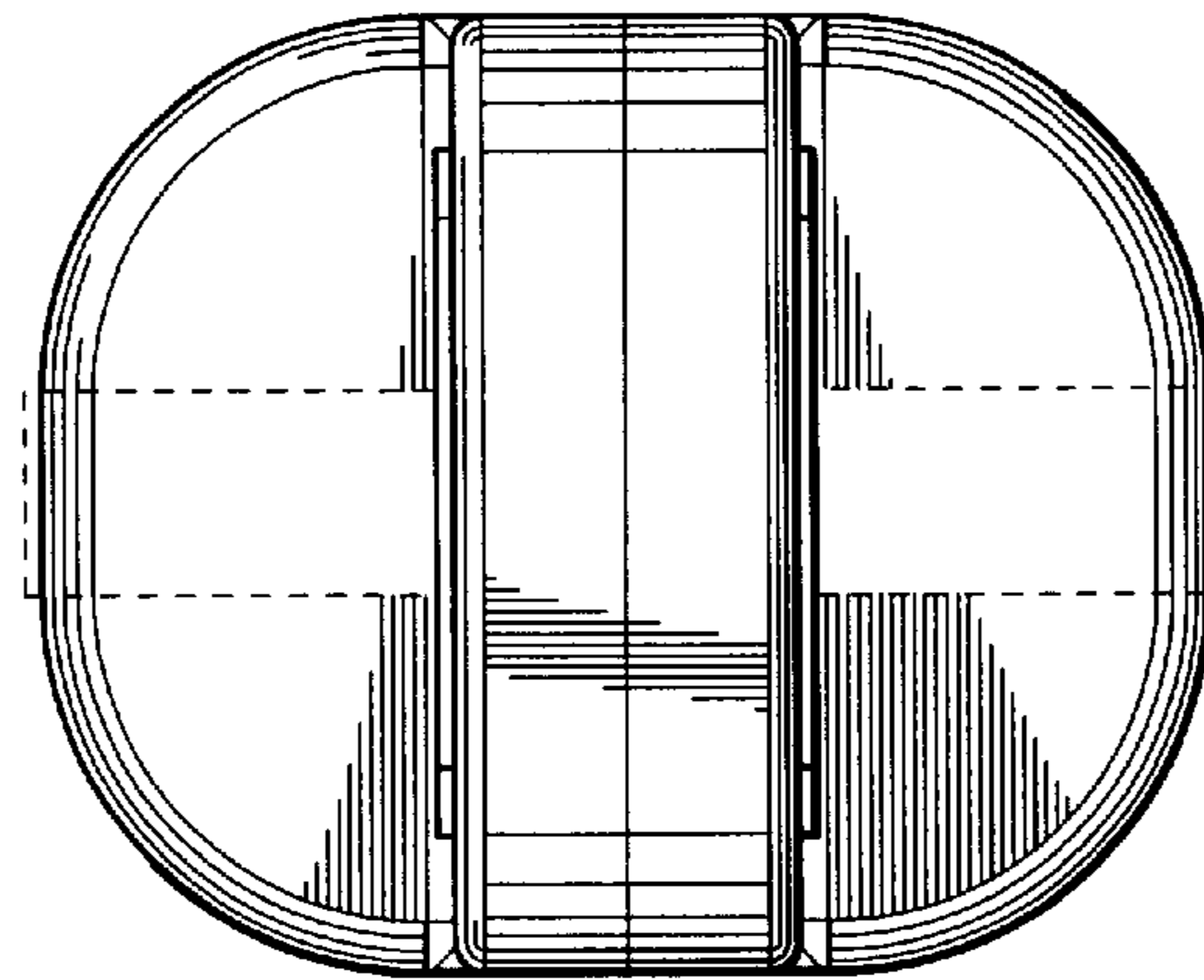


FIG. 4

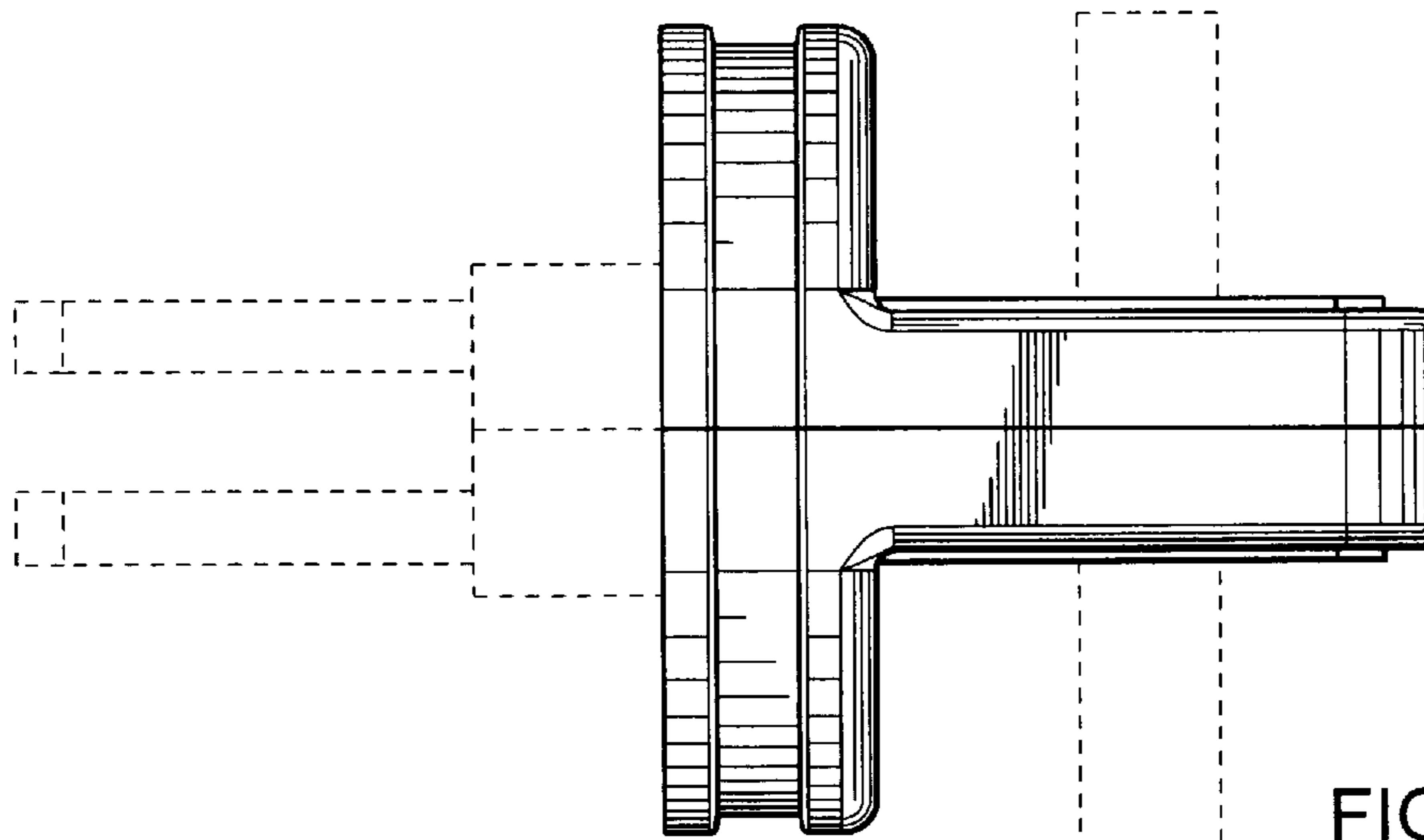


FIG. 5

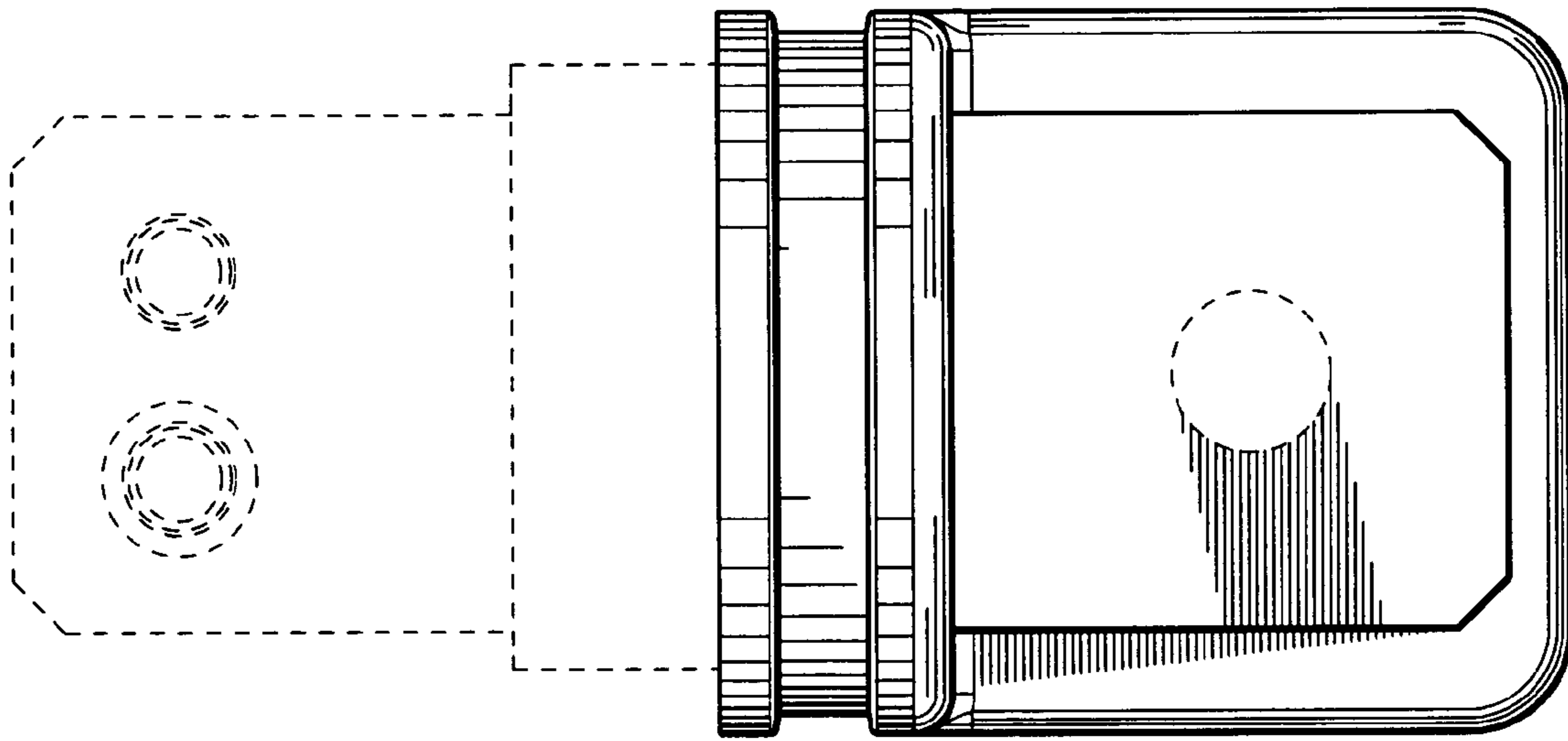


FIG. 6

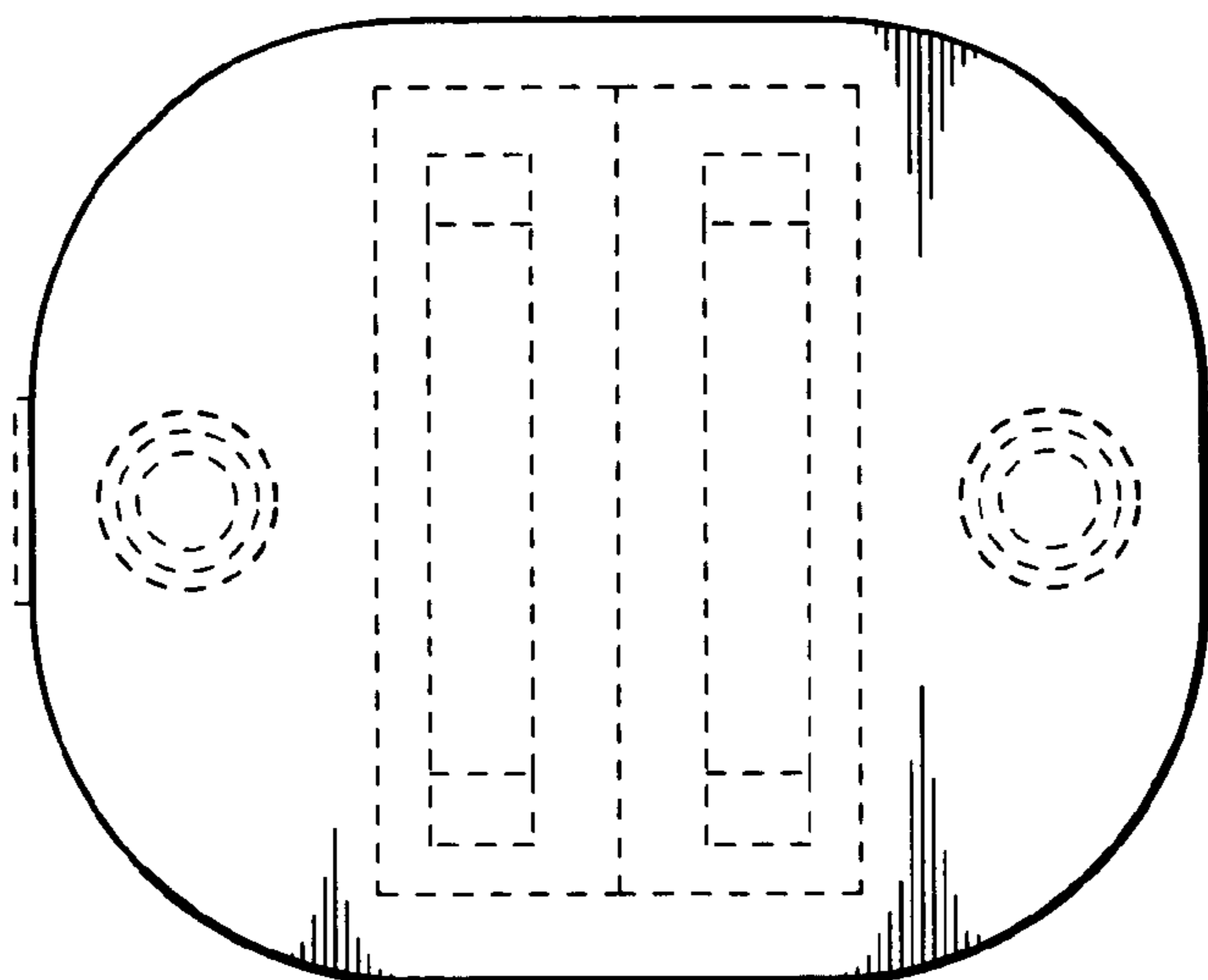


FIG. 7