

US00D522452S

(12) **United States Design Patent**
Sugimoto

(10) **Patent No.:** **US D522,452 S**
(45) **Date of Patent:** **** Jun. 6, 2006**

(54) **INSULATING PLATE FOR A BATTERY**

(75) Inventor: **Shuji Sugimoto**, Chigasaki (JP)

(73) Assignee: **Matsushita Electric Industrial Co., Ltd.**, Osaka (JP)

(**) Term: **14 Years**

(21) Appl. No.: **29/216,321**

(22) Filed: **Nov. 1, 2004**

(30) **Foreign Application Priority Data**

Sep. 13, 2004 (JP) 2004-027781

(51) **LOC (8) Cl.** **13-02**

(52) **U.S. Cl.** **D13/119**

(58) **Field of Classification Search** D13/119-121,
D13/133, 146, 184, 199; 429/211, 233, 241-242;
439/521-522, 623, 757, 773, 798, 814, 892
See application file for complete search history.

(56) **References Cited**

U.S. PATENT DOCUMENTS

D214,379 S *	6/1969	Wolf et al.	D13/119
4,053,687 A	10/1977	Coibion et al.		
D251,781 S *	5/1979	Hutton	D13/133
4,529,675 A	7/1985	Sugalski		
4,554,227 A	11/1985	Takagaki et al.		
4,794,056 A *	12/1988	Pedicini	429/94
D316,399 S *	4/1991	Wharton	D13/133
5,248,568 A	9/1993	Getz		
D342,937 S *	1/1994	Angel et al.	D13/146
D350,727 S *	9/1994	Landry et al.	D13/146

5,397,658 A	3/1995	Dunham		
D409,125 S *	5/1999	Wang	D12/162
6,010,801 A	1/2000	Nakamura et al.		
6,010,802 A	1/2000	Passaniti et al.		
6,013,389 A	1/2000	Nakamura et al.		
6,139,987 A *	10/2000	Koo et al.	429/210
D455,715 S *	4/2002	Sakai et al.	D13/118
6,534,212 B1	3/2003	Hooke		
D490,773 S	6/2004	Nakamura		
2003/0118892 A1	6/2003	Ray, Jr. et al.		
2004/0191625 A1 *	9/2004	Kojima	429/211
2005/0214640 A1 *	9/2005	Kim	429/161

* cited by examiner

Primary Examiner—Alan P. Douglas

Assistant Examiner—Rosemary K. Tarcza

(74) *Attorney, Agent, or Firm*—Brinks Hofer Gilson & Lione

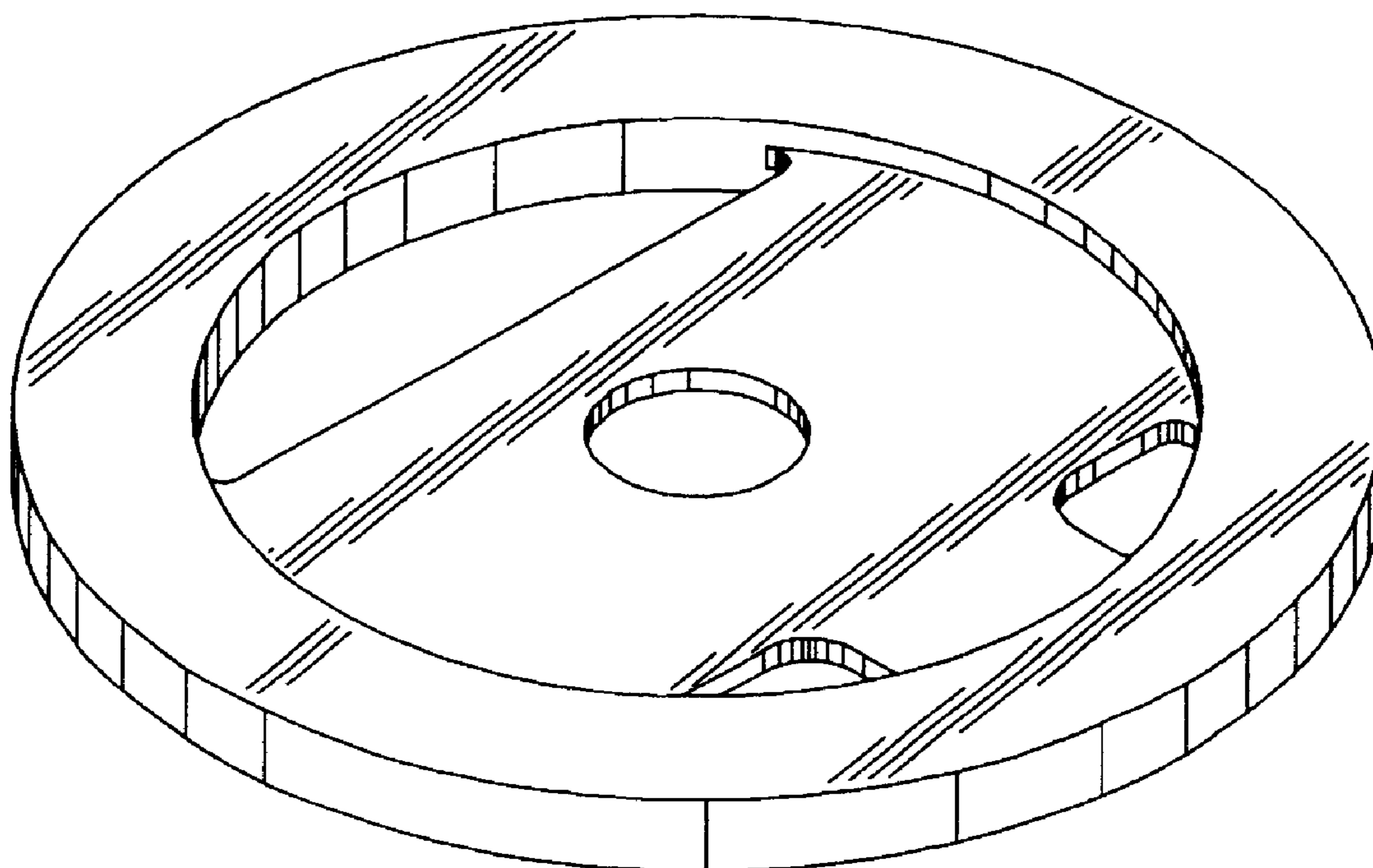
(57) **CLAIM**

I claim the ornamental design for an insulating plate for a battery, as shown and described.

DESCRIPTION

FIG. 1 is a top perspective view of an insulating plate for a battery of the present invention;
FIG. 2 is a front view thereof;
FIG. 3 is a rear view thereof;
FIG. 4 is a first side view thereof;
FIG. 5 is a second side view thereof;
FIG. 6 is a third side view thereof; and,
FIG. 7 is a fourth side view thereof.

1 Claim, 7 Drawing Sheets



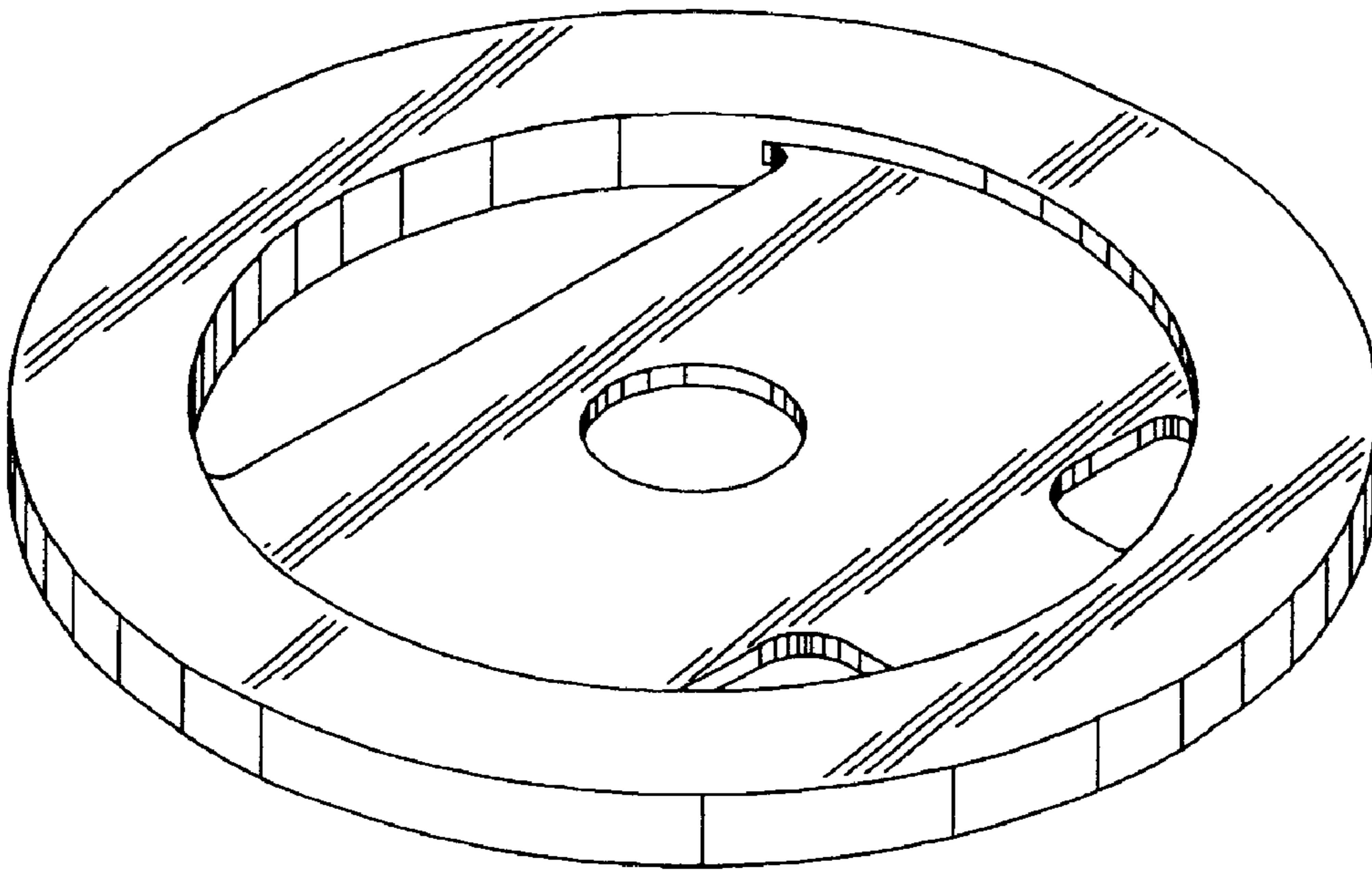


FIG. 1

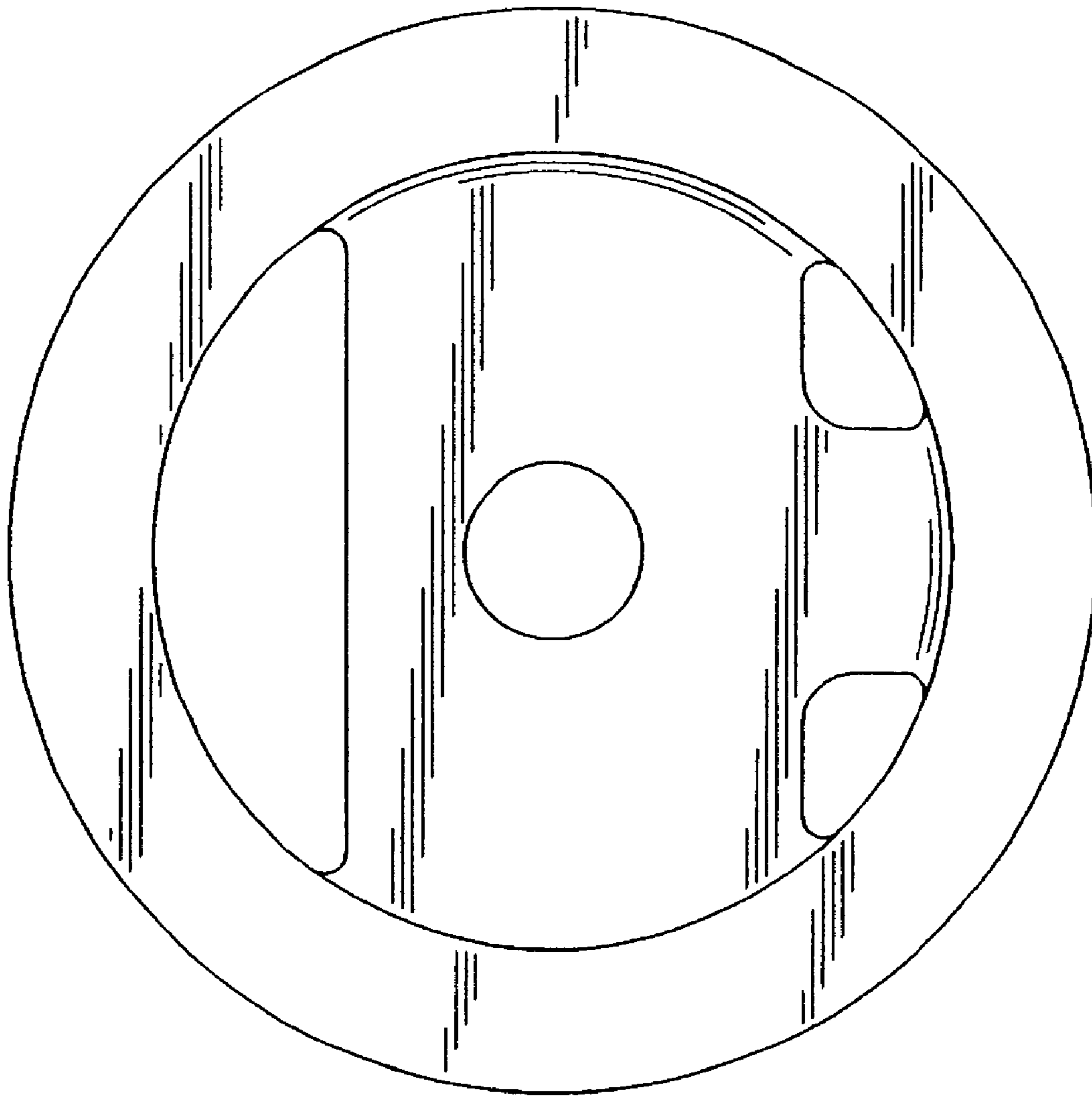


FIG. 2

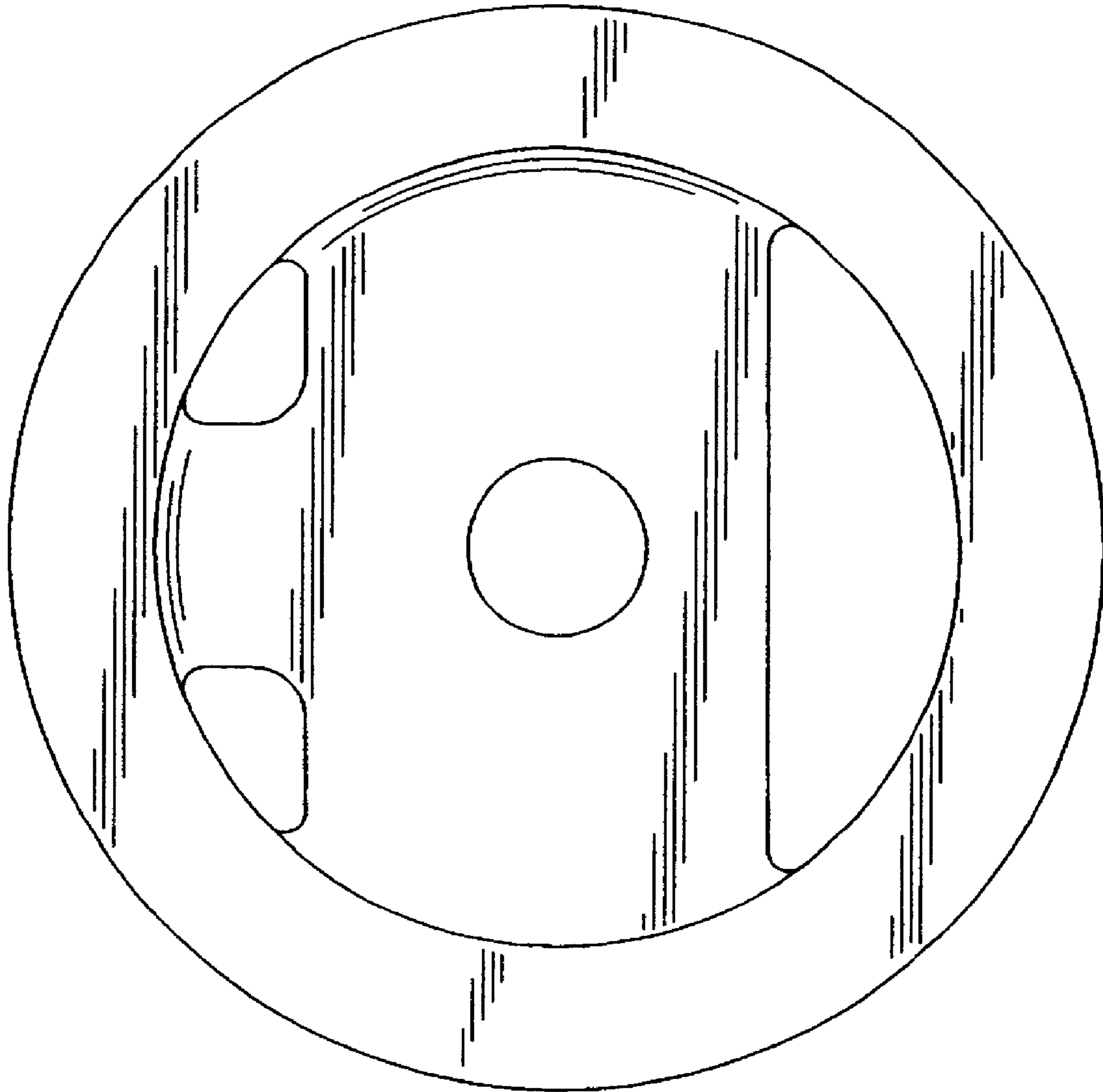


FIG. 3

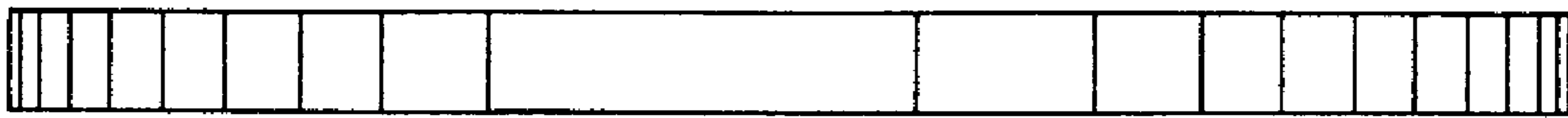


FIG. 4



FIG. 5

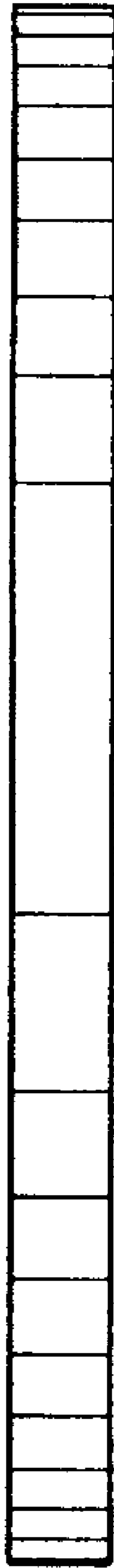


FIG. 6

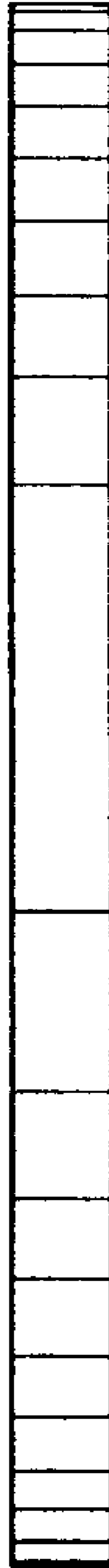


FIG. 7