



US00D522441S

(12) **United States Design Patent**  
**Bryham**

(10) **Patent No.:** **US D522,441 S**

(45) **Date of Patent:** **\*\* Jun. 6, 2006**

(54) **PERSONAL WATER CRAFT**

(75) Inventor: **Maurice John Bryham**, Auckland (NZ)

(73) Assignee: **Sealegs International Limited**,  
Auckland (NZ)

(\*\*) Term: **14 Years**

(21) Appl. No.: **29/230,741**

(22) Filed: **May 26, 2005**

(51) **LOC (8) Cl.** ..... **12-06**

(52) **U.S. Cl.** ..... **D12/307**

(58) **Field of Classification Search** ..... D12/300,  
D12/307, 316, 317; 114/55.5, 55.55, 55.57,  
114/162, 219, 270, 271

See application file for complete search history.

(56) **References Cited**

U.S. PATENT DOCUMENTS

1,002,661	A	*	9/1911	Erikson	.....	114/344
3,080,581	A	*	3/1963	Smihal	.....	114/343
D237,956	S	*	12/1975	Kato et al.	.....	D12/307
4,352,337	A	*	10/1982	Wyoral	.....	114/343
D319,211	S	*	8/1991	Kruse	.....	D12/307
5,791,279	A	*	8/1998	Hart	.....	114/344
D401,212	S	*	11/1998	Tapolsky et al.	.....	D12/307
D476,941	S	*	7/2003	Prevost	.....	D12/307

\* cited by examiner

*Primary Examiner*—Holly Baynham

*Assistant Examiner*—Cynthia M. Chin

(74) *Attorney, Agent, or Firm*—Young & Thompson

(57) **CLAIM**

The ornamental design for a personal water craft, substantially as shown and described.

**DESCRIPTION**

FIG. 1 is a top plan view of a personal water craft, showing my new design with the wheels up,

FIG. 2 is a top plan view thereof, with the wheels down,

FIG. 3 is a bottom view thereof, with wheels up,

FIG. 4 is a bottom view thereof, with wheels down,

FIG. 5 is a front elevation view thereof, with wheels up,

FIG. 6 is a front elevation view thereof, with wheels down,

FIG. 7 is a rear elevation view thereof, with wheels up,

FIG. 8 is a rear elevation view thereof, with wheels down,

FIG. 9 is a left side elevation view thereof, with wheels up,

FIG. 10 is a left side elevation view thereof, with wheels down,

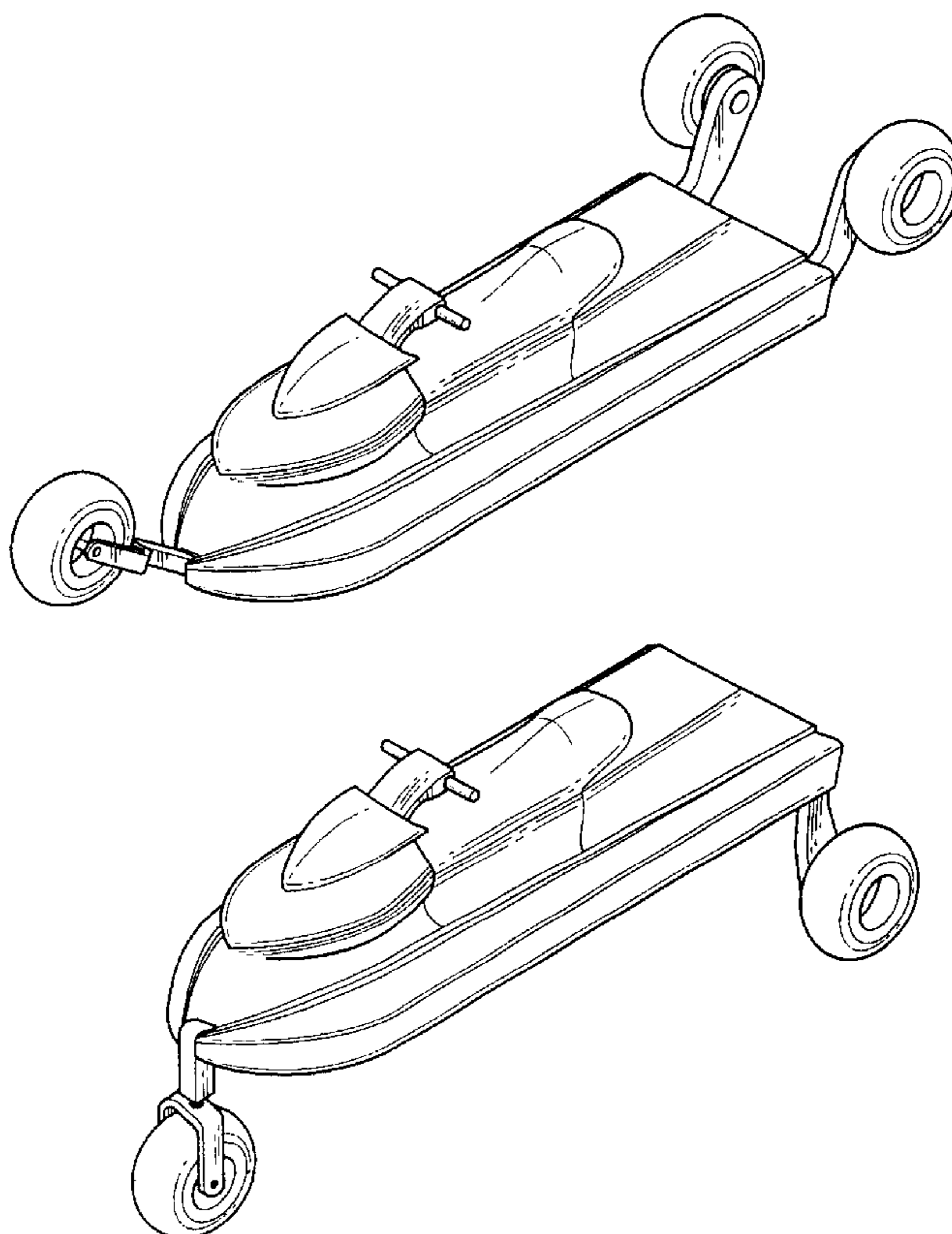
FIG. 11 is a right side elevation view thereof, with wheels up,

FIG. 12 is a right side elevation view thereof, with wheels down,

FIG. 13 is a left front upper perspective view thereof, with wheels up; and,

FIG. 14 is a left front upper perspective view thereof, with wheels down.

**1 Claim, 4 Drawing Sheets**



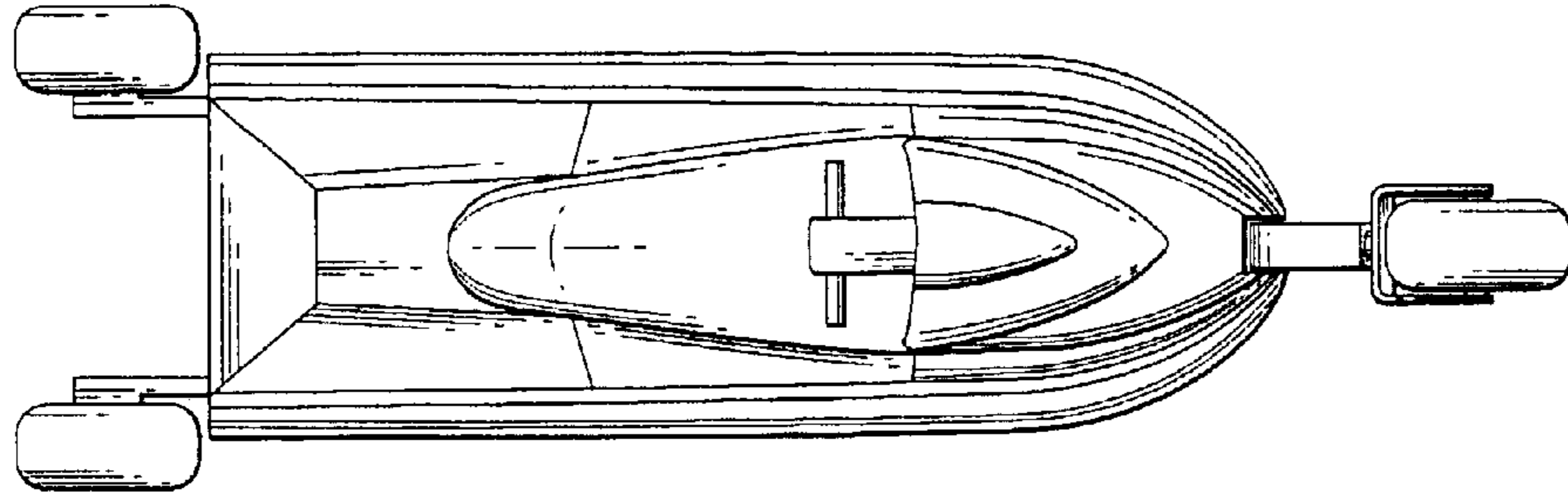


Figure 1

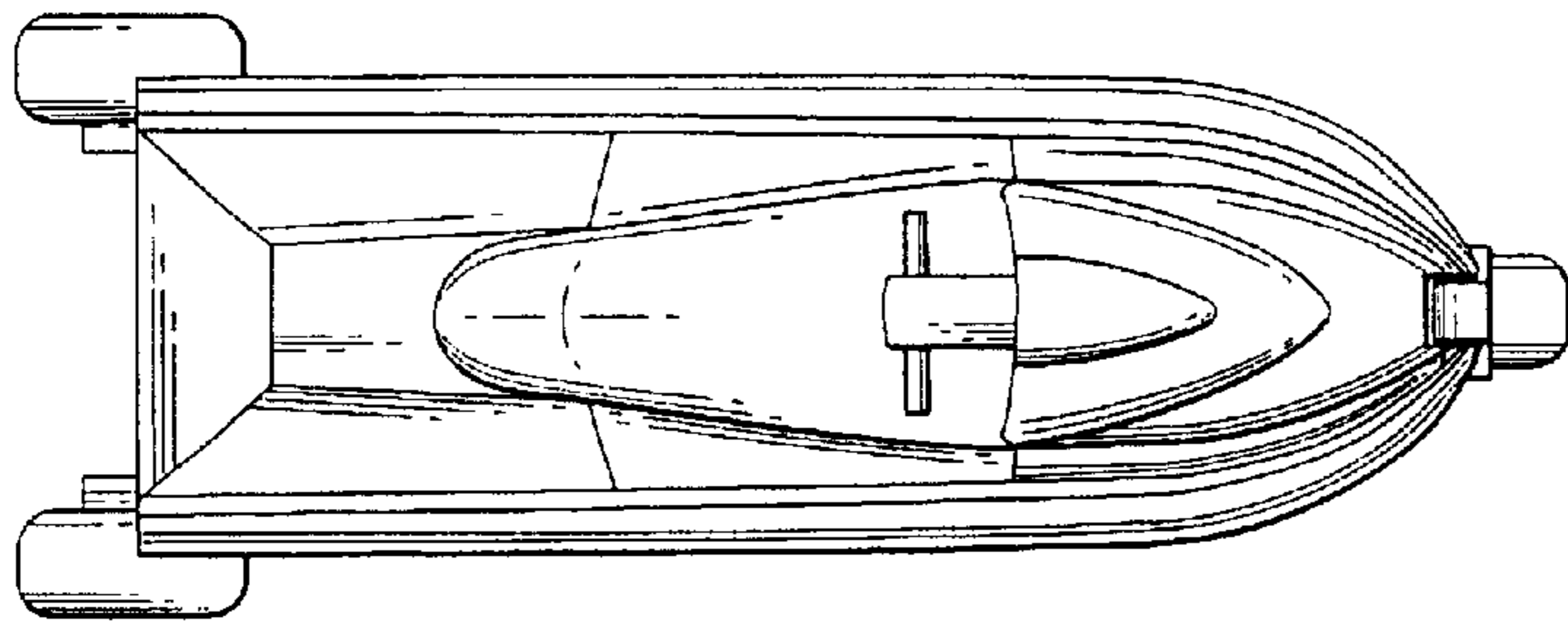


Figure 2

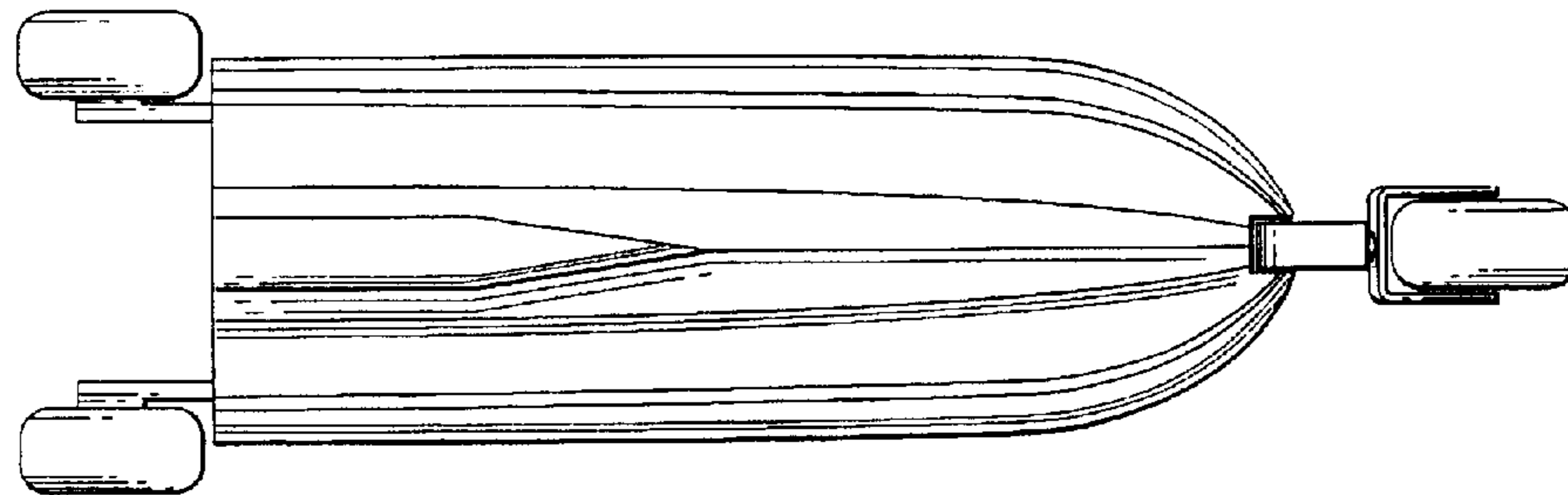


Figure 3

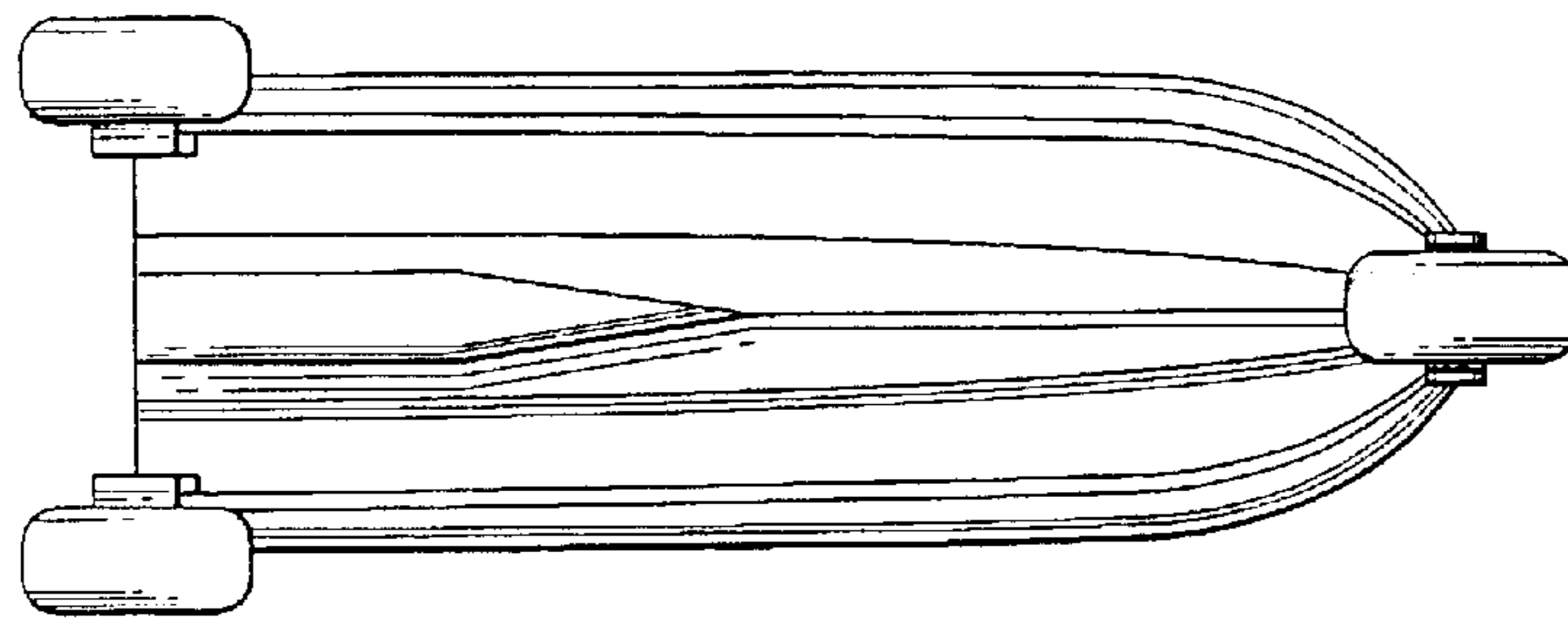


Figure 4

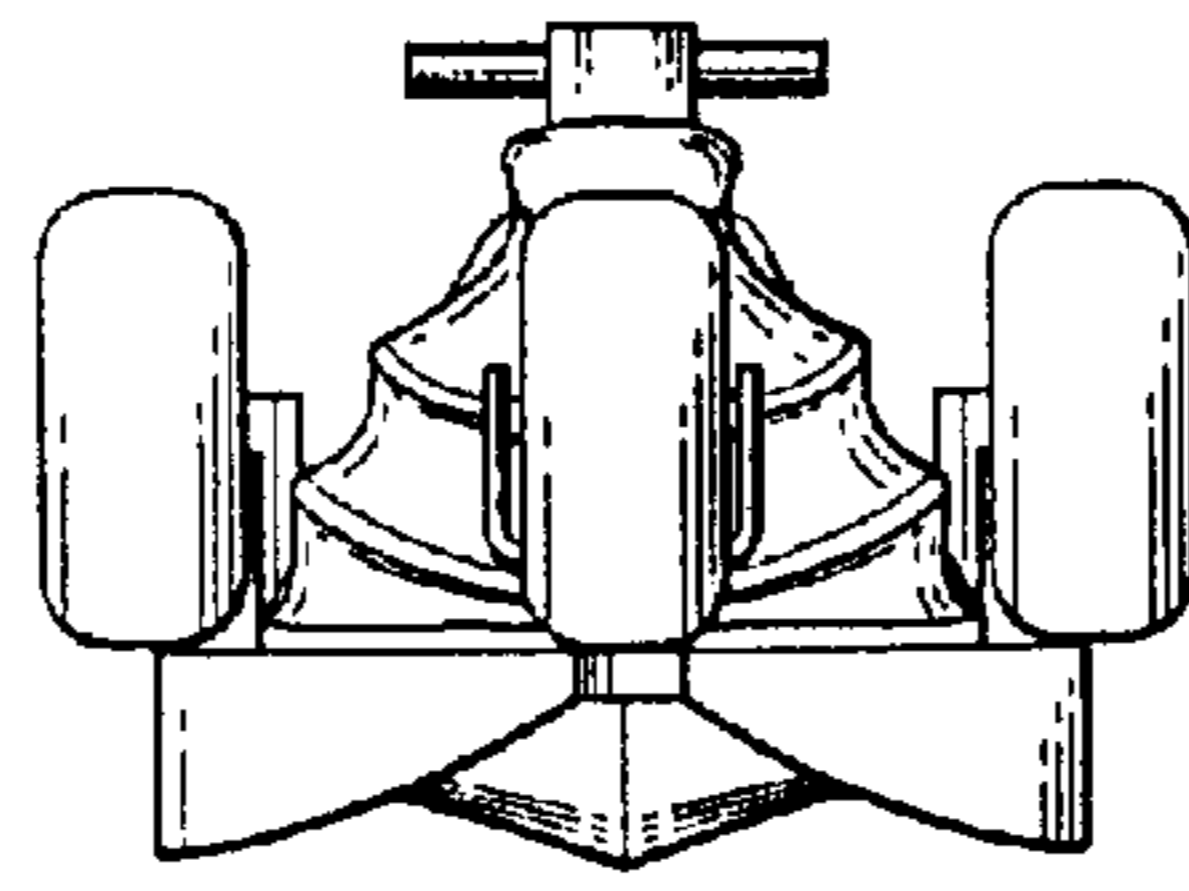


Figure 5

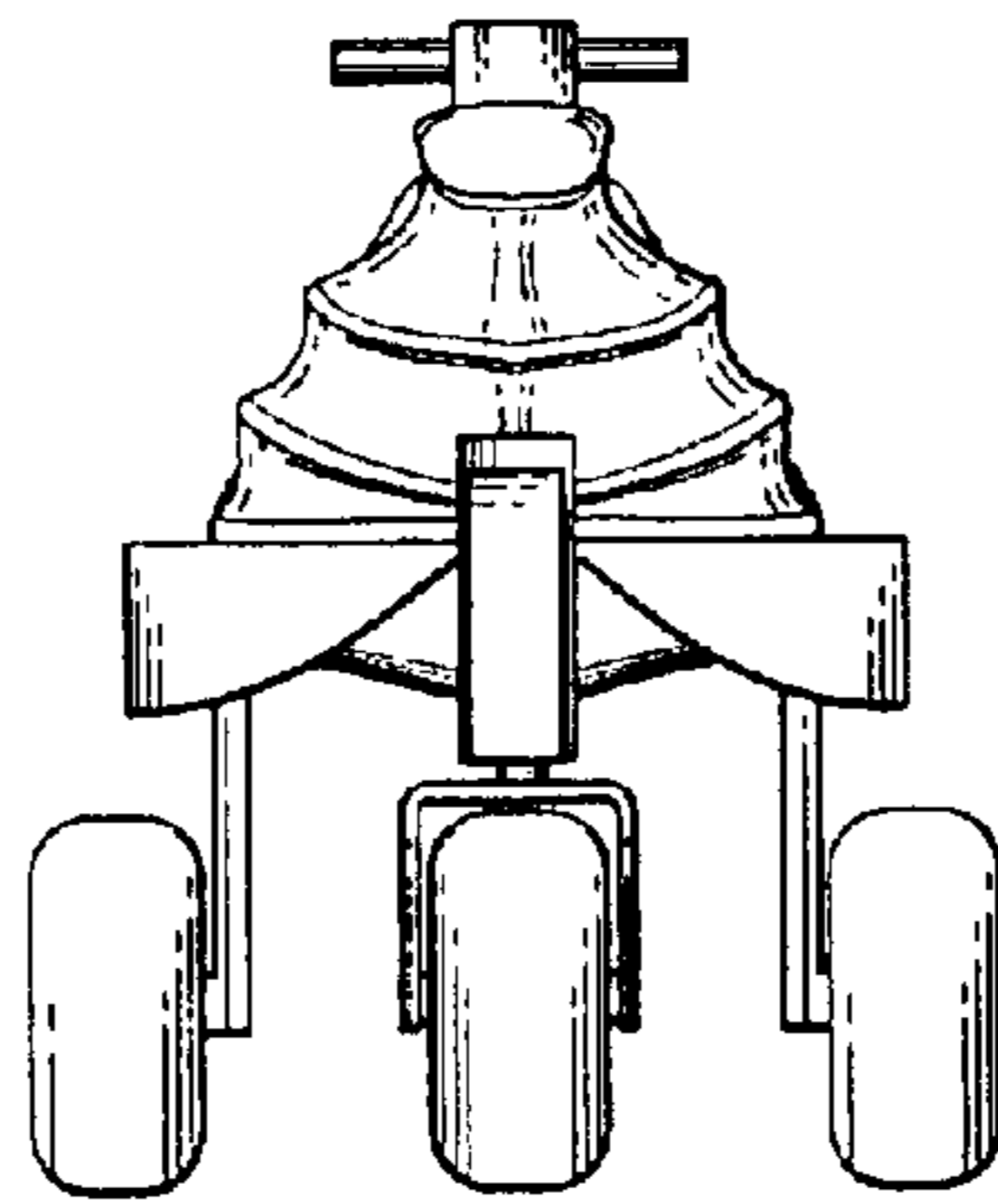


Figure 6

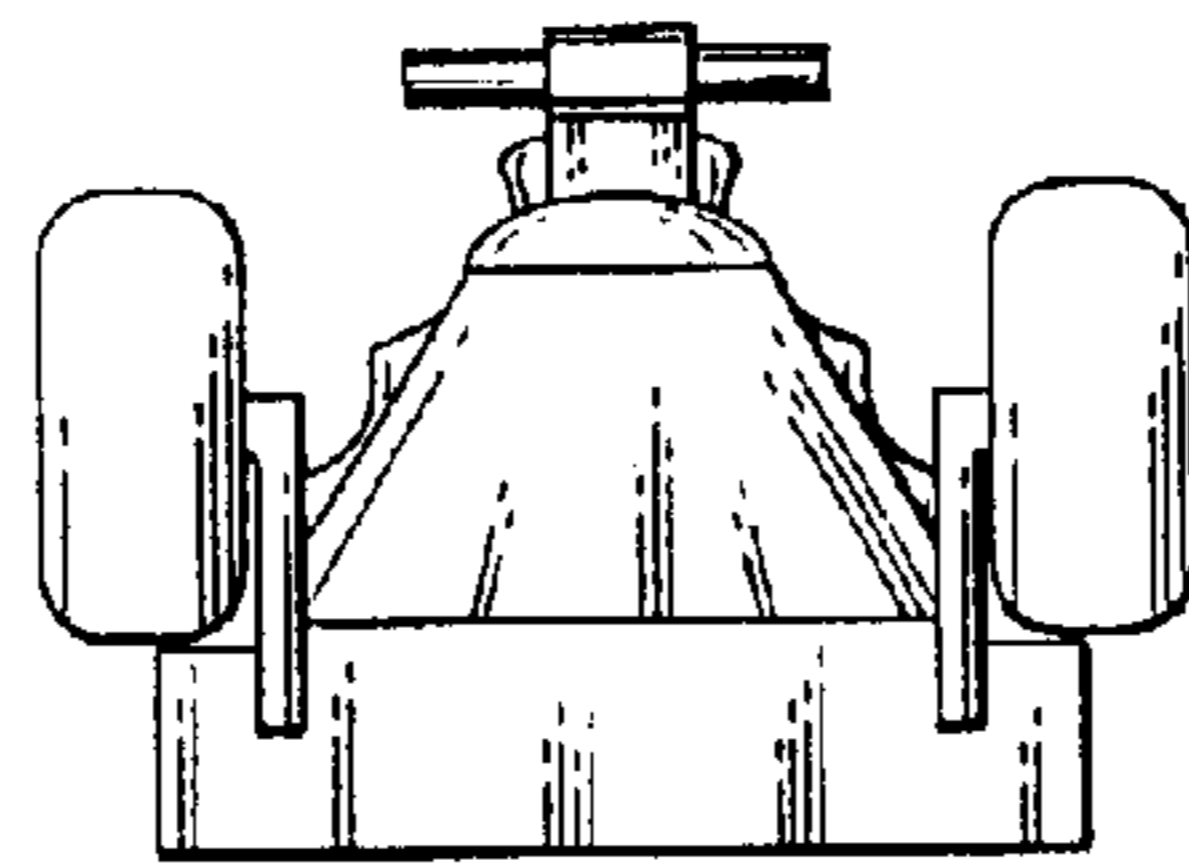


Figure 7

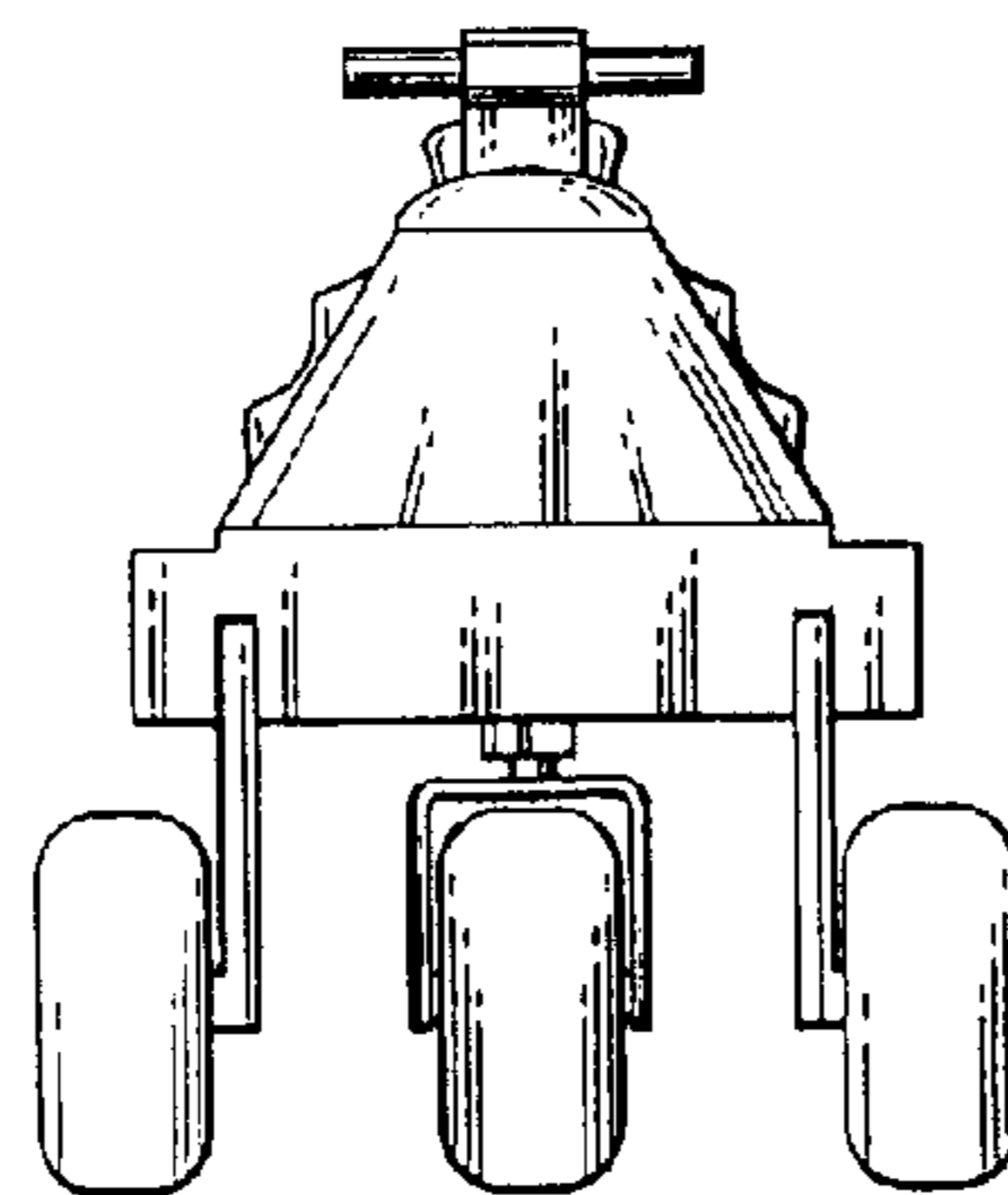


Figure 8

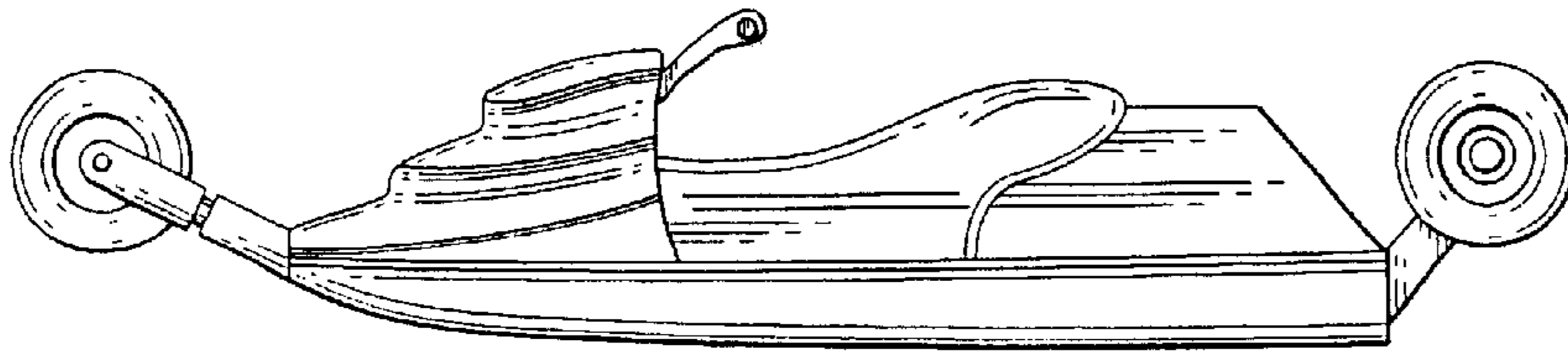


Figure 9

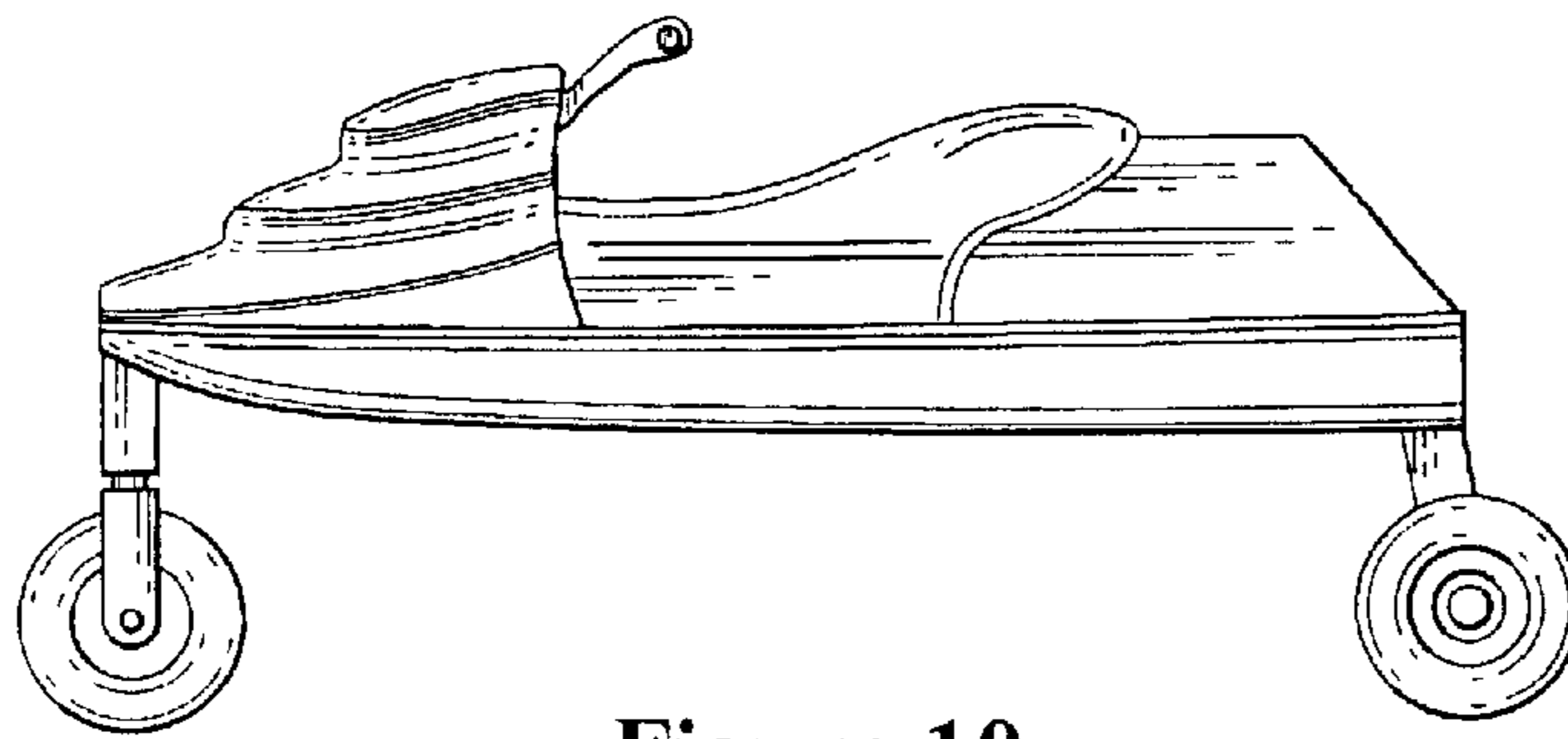


Figure 10

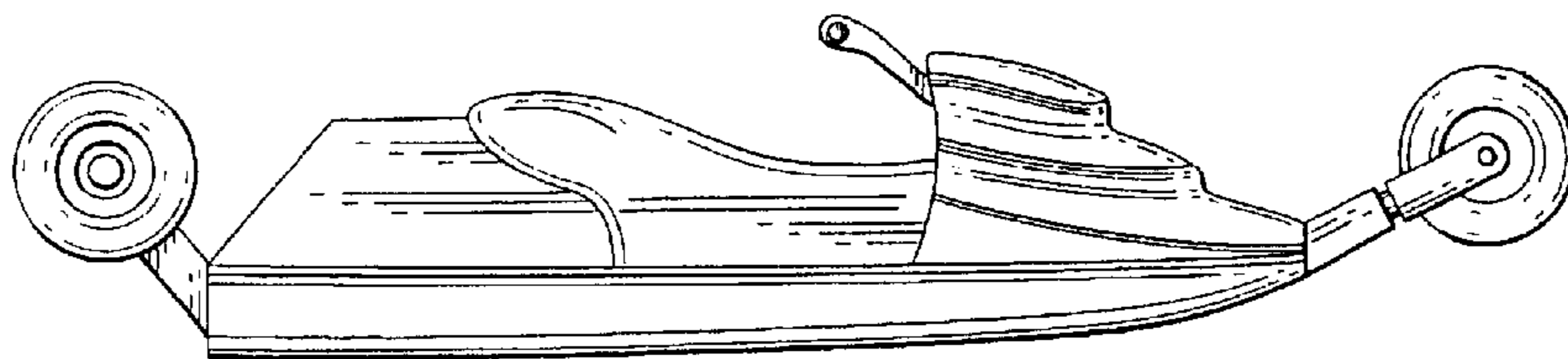


Figure 11

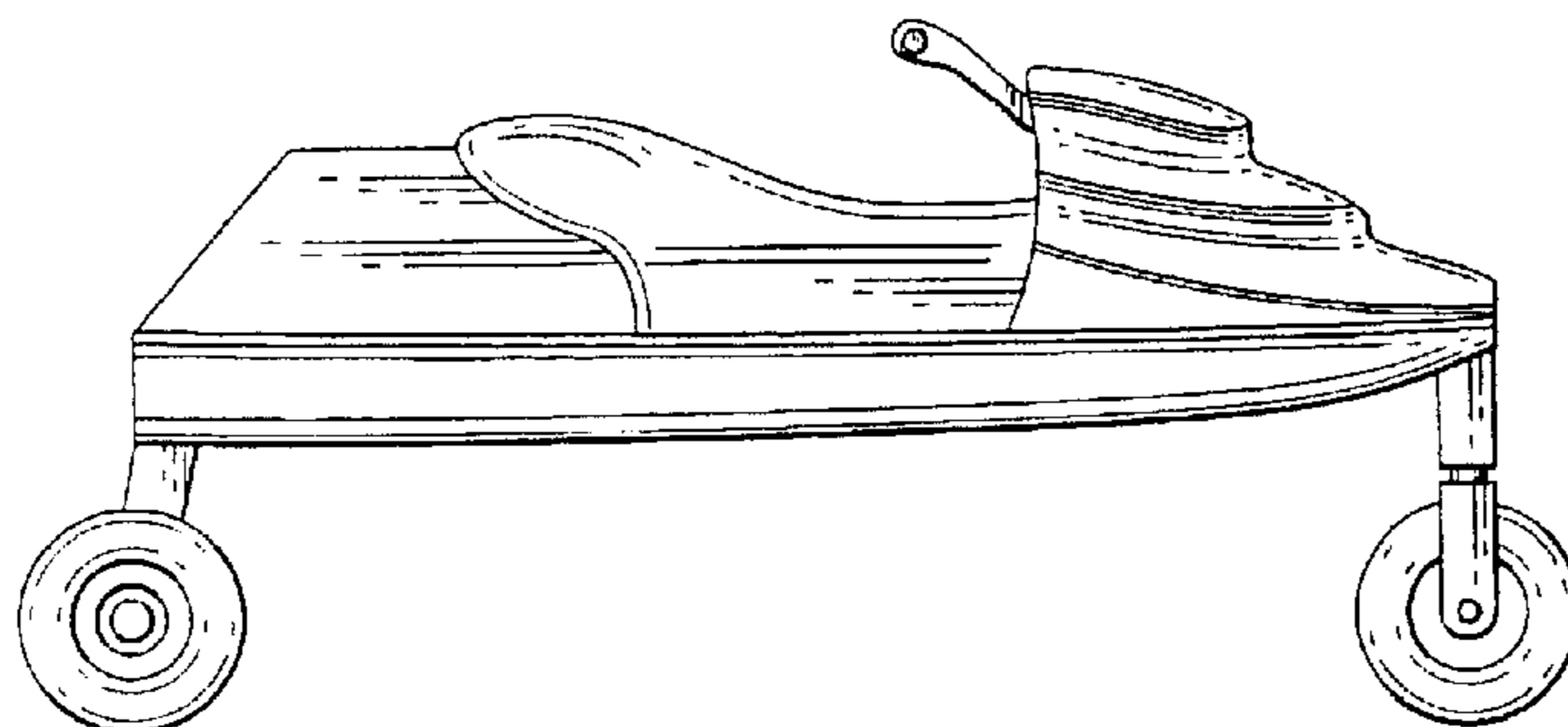


Figure 12

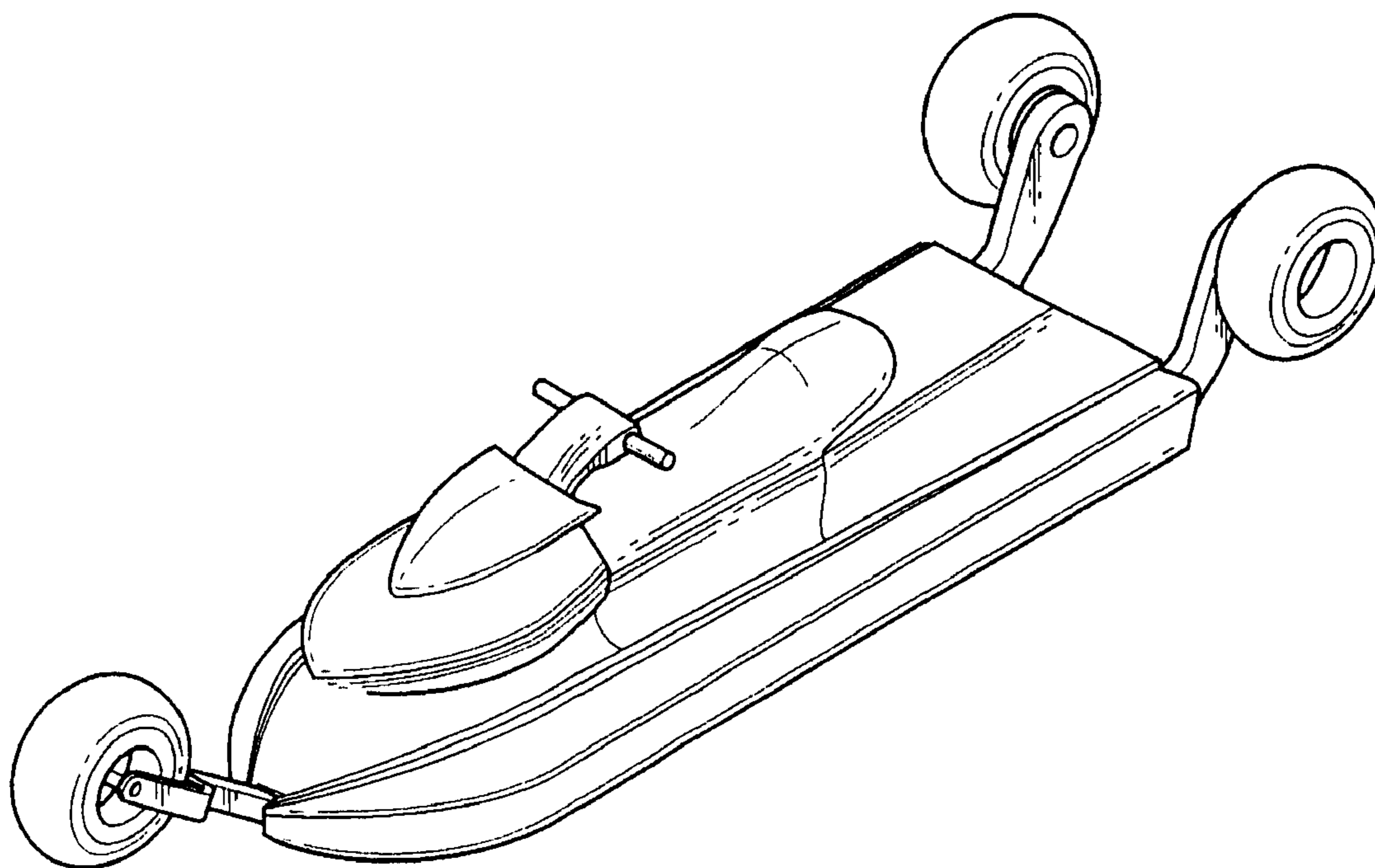


Figure 13

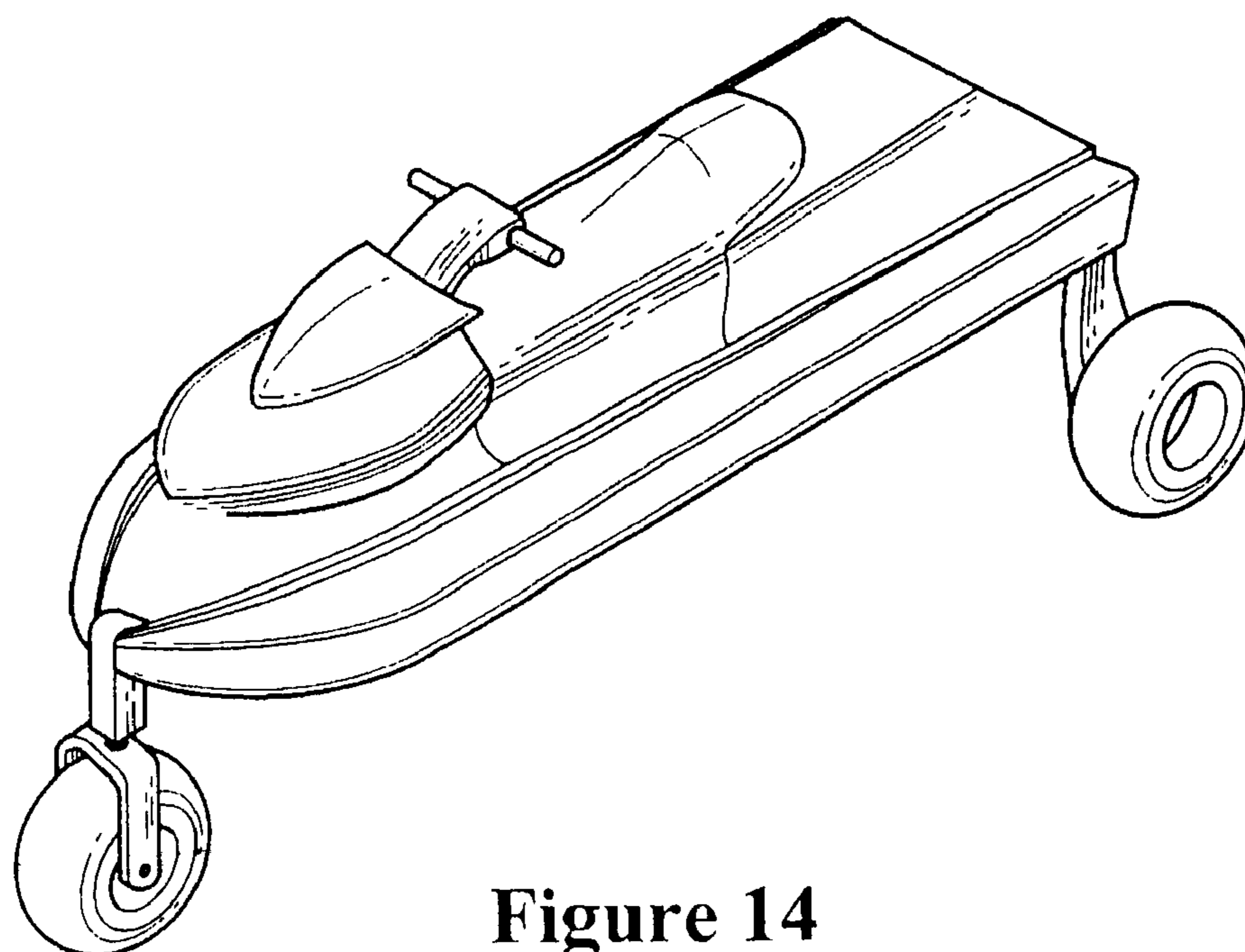


Figure 14