



US00D522439S

(12) **United States Design Patent**
Laengerer

(10) **Patent No.:** **US D522,439 S**
(45) **Date of Patent:** **** Jun. 6, 2006**

(54) **FRONT FACE OF A VEHICLE WHEEL**

D473,836 S * 4/2003 Laengerer D12/211
D487,569 S * 3/2004 Laengerer D12/211
D494,525 S * 8/2004 Borkert D12/211
D506,967 S * 7/2005 Kamimura D12/211

(75) Inventor: **Marcus Laengerer**, Renningen (DE)

(73) Assignee: **DaimlerChrysler AG**, Stuttgart (DE)

(**) Term: **14 Years**

* cited by examiner

Primary Examiner—Stacia Cadmus

(21) Appl. No.: **29/202,788**

(74) *Attorney, Agent, or Firm*—Crowell & Moring LLP

(22) Filed: **Apr. 6, 2004**

(57) **CLAIM**

(30) **Foreign Application Priority Data**

The ornamental design for a front face of a vehicle wheel, as shown and described.

Oct. 7, 2003 (DE) 4 03 06 472

DESCRIPTION

(51) **LOC (8) Cl.** **12-16**

(52) **U.S. Cl.** **D12/211**

(58) **Field of Classification Search** D12/204–213;
301/37.101, 64.101, 65

See application file for complete search history.

FIG. 1 is a front view of a first embodiment of a front face of a vehicle wheel according to my novel design;

FIG. 2 is a perspective view of the first embodiment of the front face of a vehicle wheel according to my novel design;

FIG. 3 is a front view of a second embodiment of the front face of a vehicle wheel according to my novel design; and,

FIG. 4 is a perspective view of the second embodiment of the front face of a vehicle wheel according to my novel design.

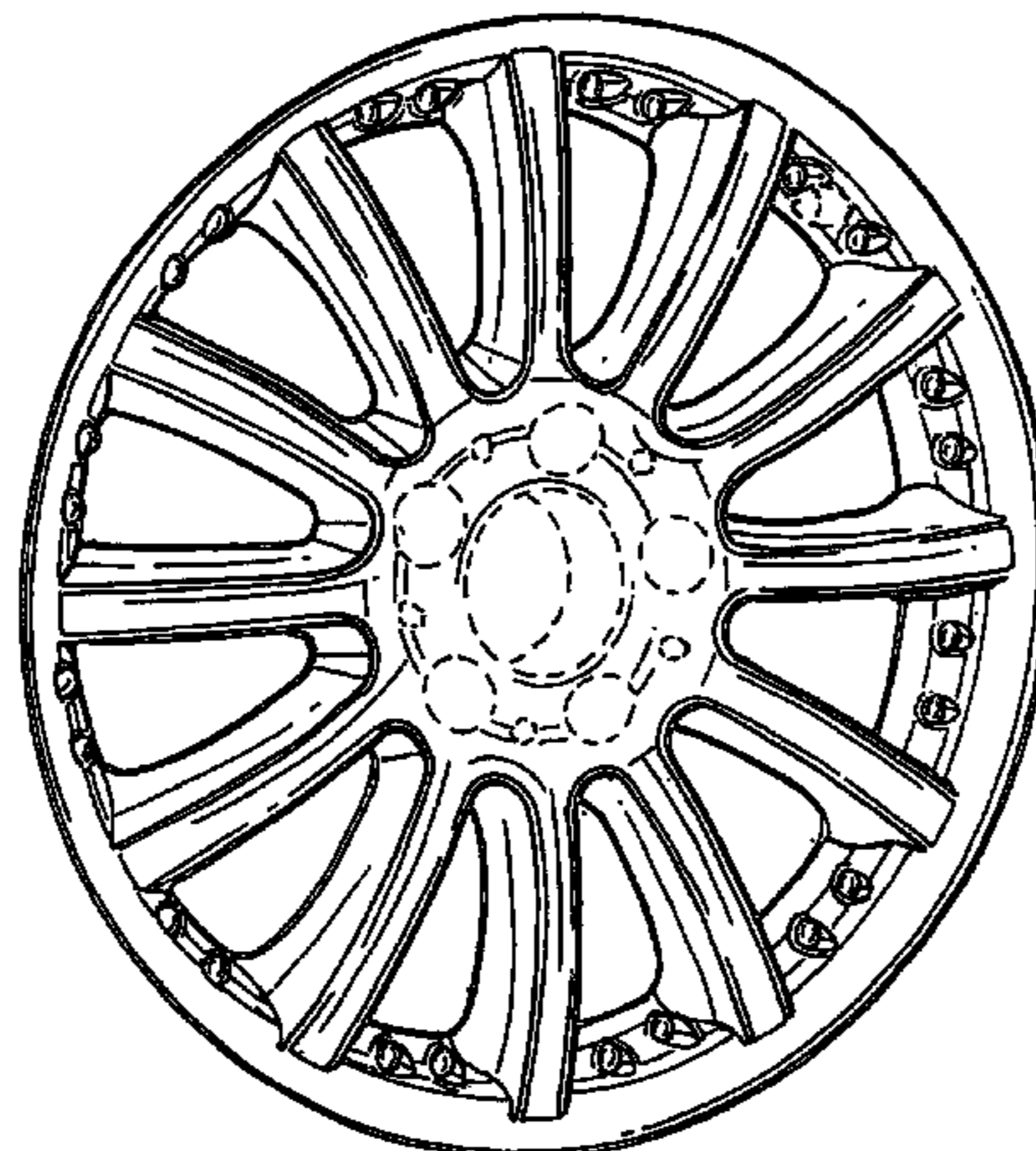
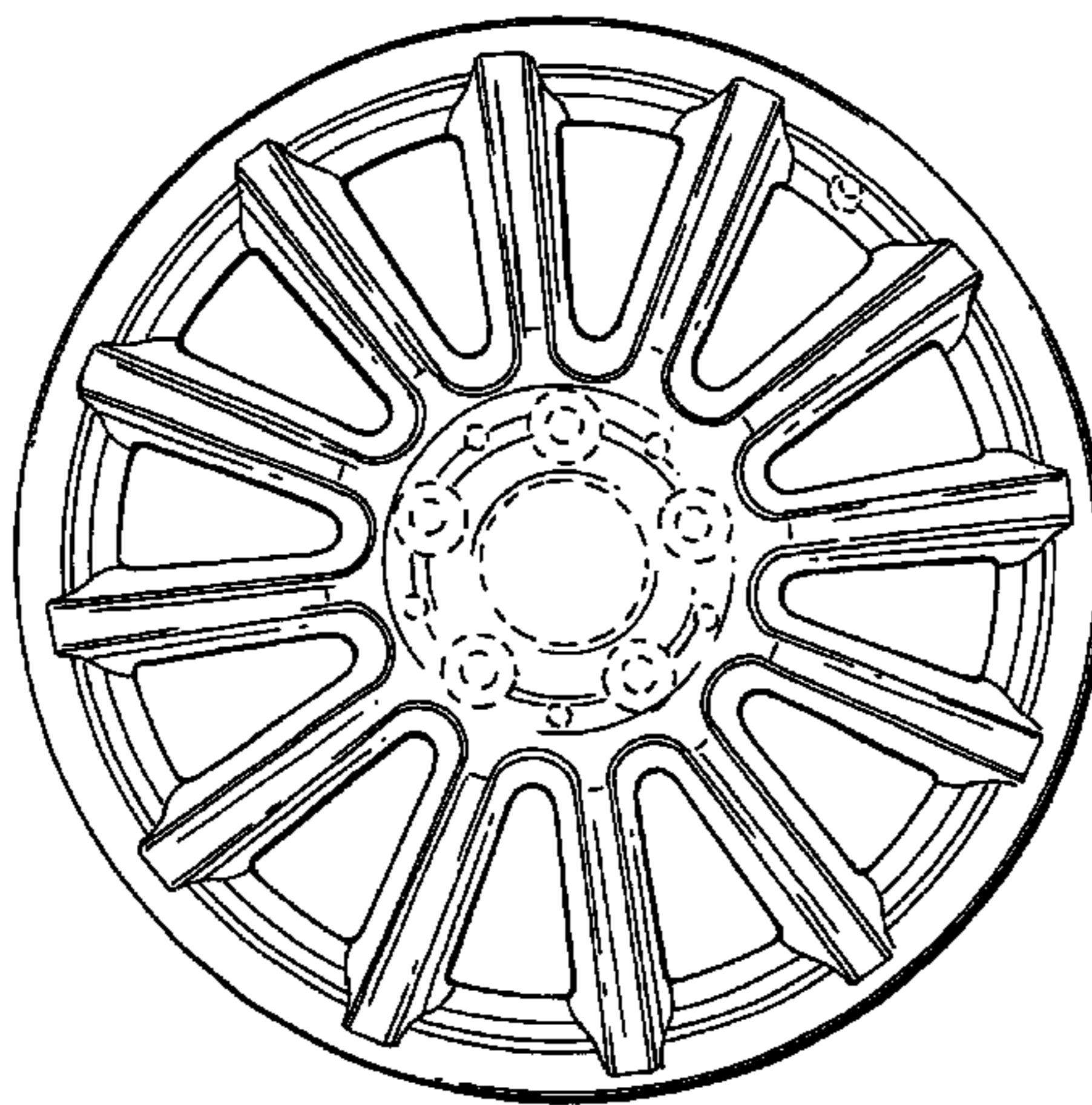
The broken lines are for illustrative purposes only and form no part of the claimed design.

(56) **References Cited**

U.S. PATENT DOCUMENTS

D344,924 S * 3/1994 Braungart et al. D12/211
D406,807 S * 3/1999 Shikado D12/211
D450,649 S * 11/2001 Penzes D12/211
D457,119 S * 5/2002 Braun et al. D12/211
D468,250 S * 1/2003 Donikoglu D12/209

1 Claim, 2 Drawing Sheets



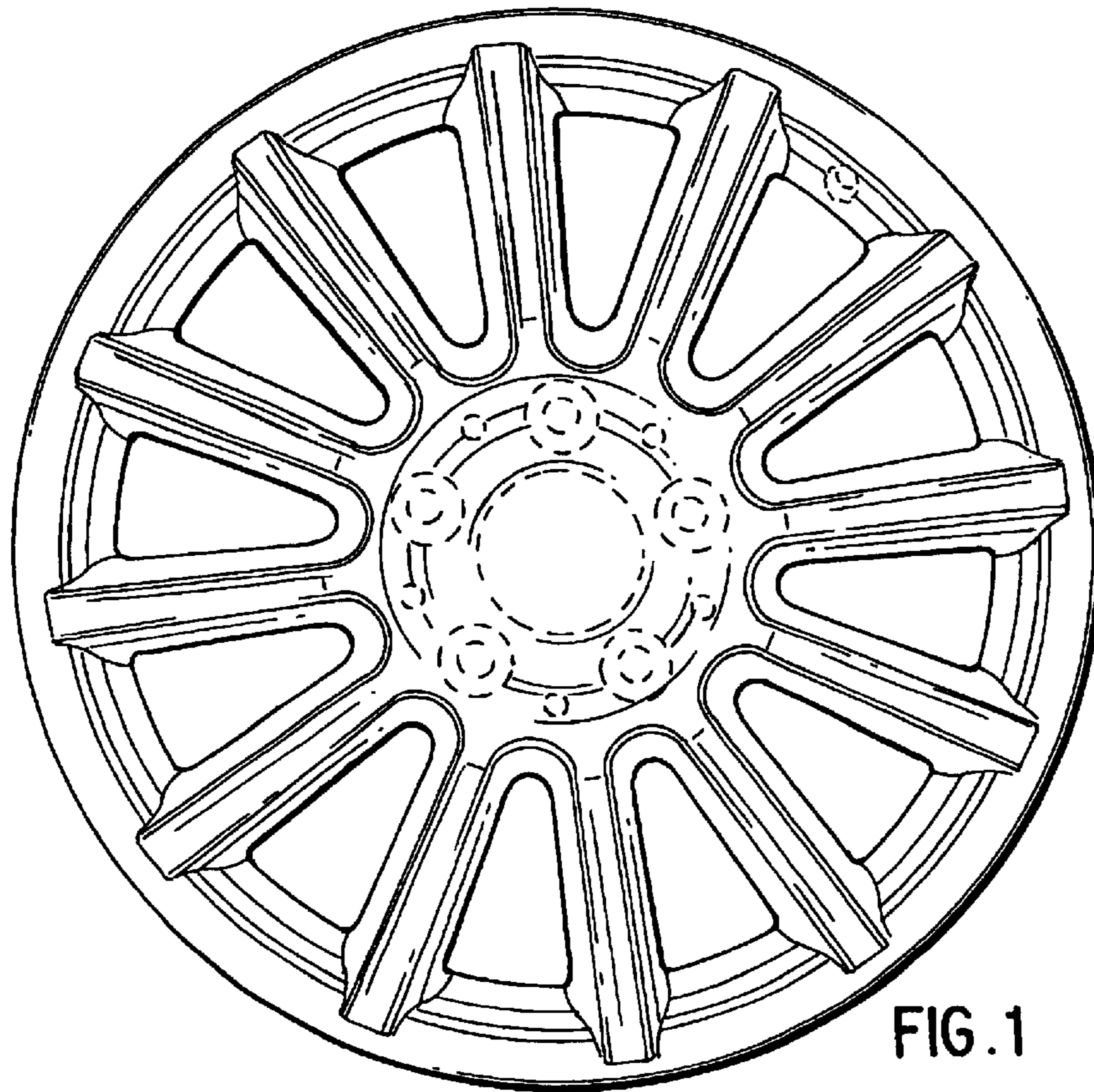


FIG. 1

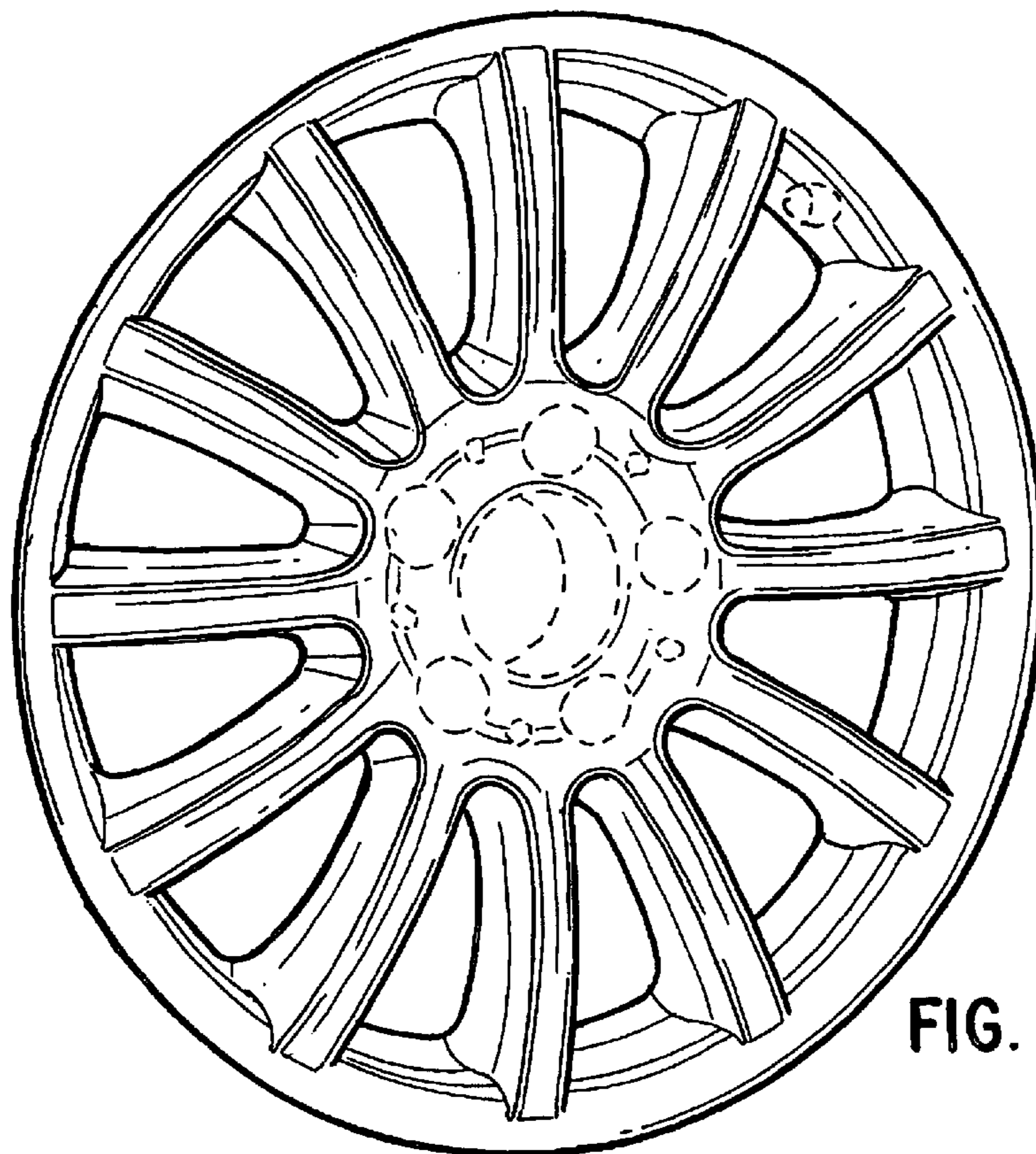


FIG. 2

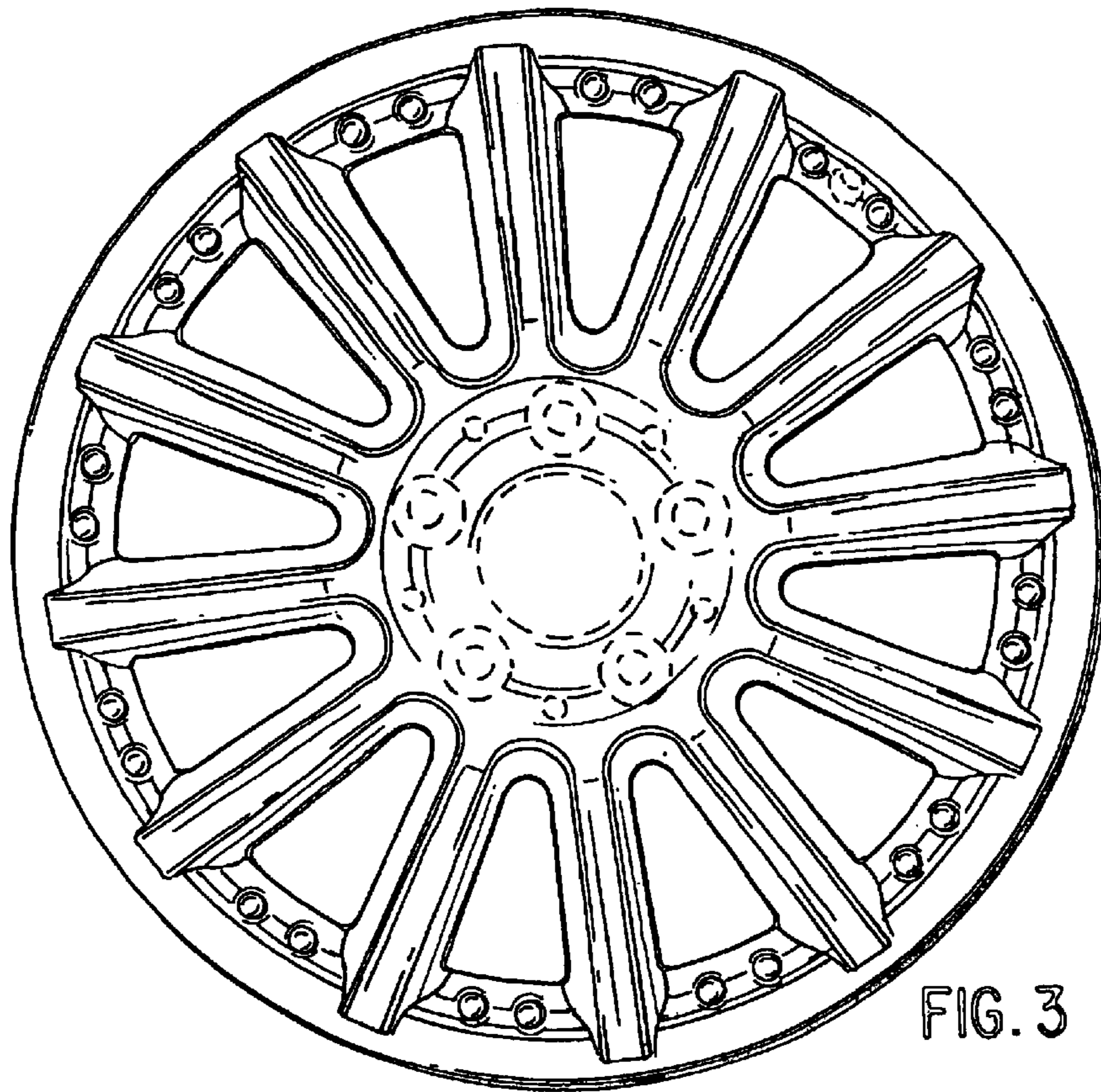


FIG. 3

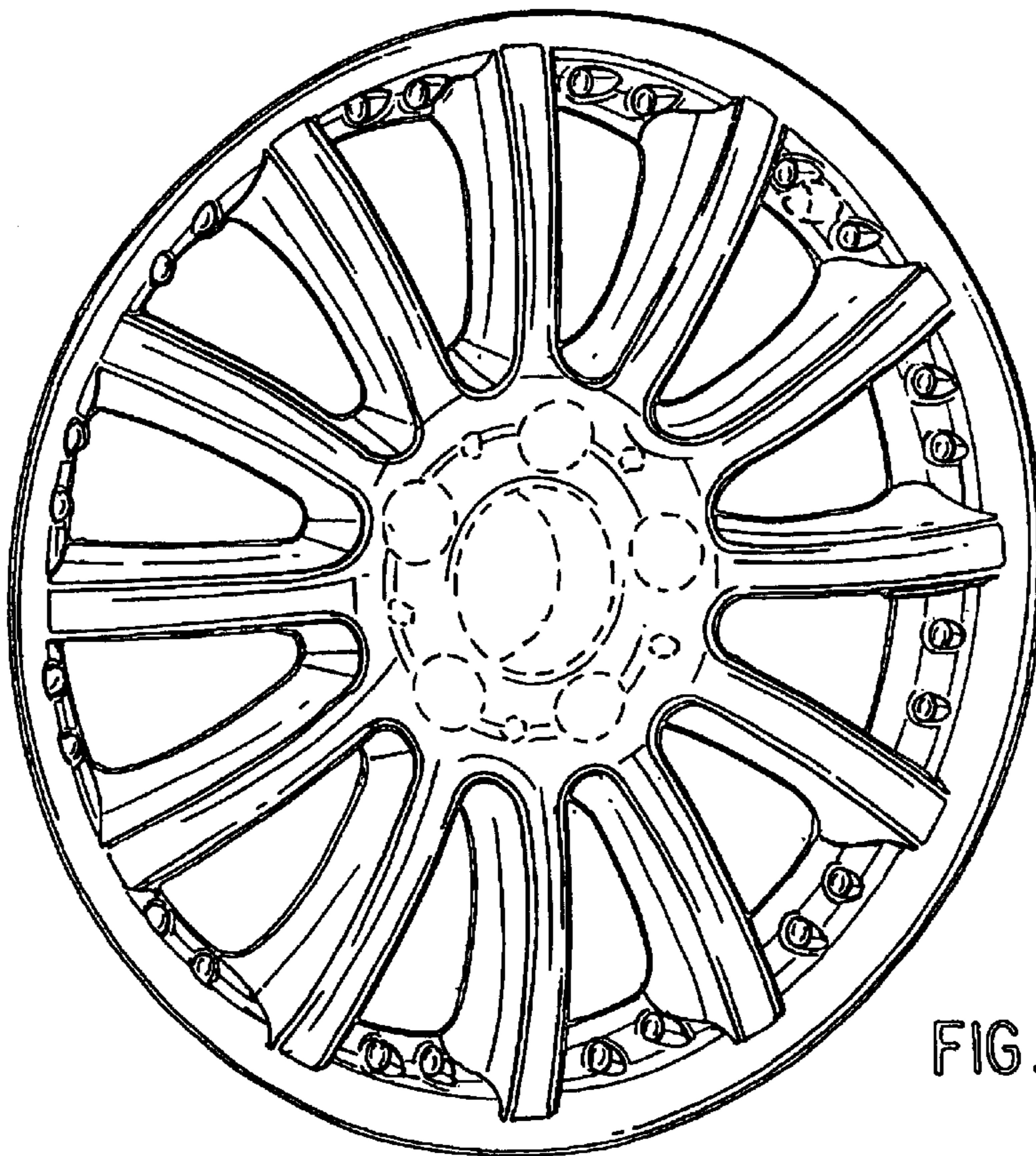


FIG. 4