



US00D522434S

(12) **United States Design Patent**
Langer

(10) **Patent No.:** **US D522,434 S**

(45) **Date of Patent:** **** Jun. 6, 2006**

(54) **FRONT FACE OF A VEHICLE WHEEL**

(75) Inventor: **Kai Langer**, Munich (DE)

(73) Assignee: **Bayerische Motoren Werke
Aktiengesellschaft**, Munich (DE)

(**) Term: **14 Years**

(21) Appl. No.: **29/236,065**

(22) Filed: **Aug. 11, 2005**

(30) **Foreign Application Priority Data**

Feb. 25, 2005 (DE) 4 05 01 152

(51) **LOC (8) Cl.** **12-16**

(52) **U.S. Cl.** **D12/209**

(58) **Field of Classification Search** D12/204-213;
301/37.101, 64.101, 65

See application file for complete search history.

(56) **References Cited**

U.S. PATENT DOCUMENTS

D433,374 S * 11/2000 Wang D12/209
D433,659 S * 11/2000 Frizzi D12/211
D457,478 S * 5/2002 Minamisawa D12/211
D469,048 S * 1/2003 van Hooydonk D12/209
D484,839 S * 1/2004 Scheu D12/209

D487,881 S * 3/2004 Laengerer D12/209
D488,420 S * 4/2004 Murkett et al. D12/209
D491,871 S * 6/2004 Kang D12/209
D492,235 S * 6/2004 Nordmann D12/211
D503,668 S * 4/2005 Boyer D12/209
D504,097 S * 4/2005 Markefka D12/209
D505,372 S * 5/2005 Kushartanto D12/209

FOREIGN PATENT DOCUMENTS

EP 000032438-0005 10/2003

* cited by examiner

Primary Examiner—Stacia Cadmus

(74) *Attorney, Agent, or Firm*—Crowell & Moring LLP

(57) **CLAIM**

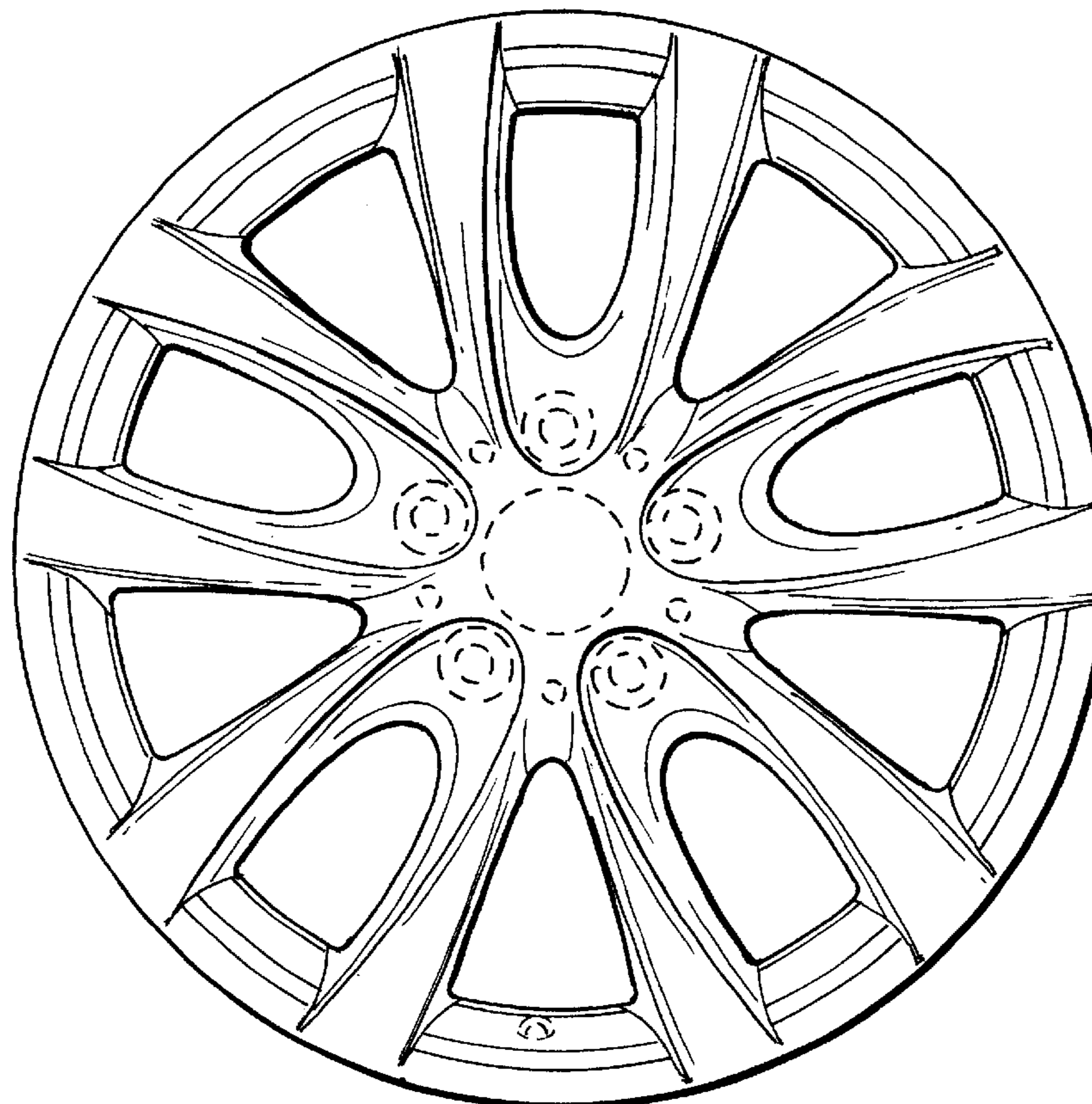
The ornamental design for a front face of a vehicle wheel,
as shown and described.

DESCRIPTION

FIG. 1 is a front view of a front face of a vehicle wheel
according to my novel design; and,
FIG. 2 is a perspective view of the front face of a vehicle
wheel according to my novel design.

The broken lines are for illustrative purposes only and form
no part of the claimed design.

1 Claim, 1 Drawing Sheet



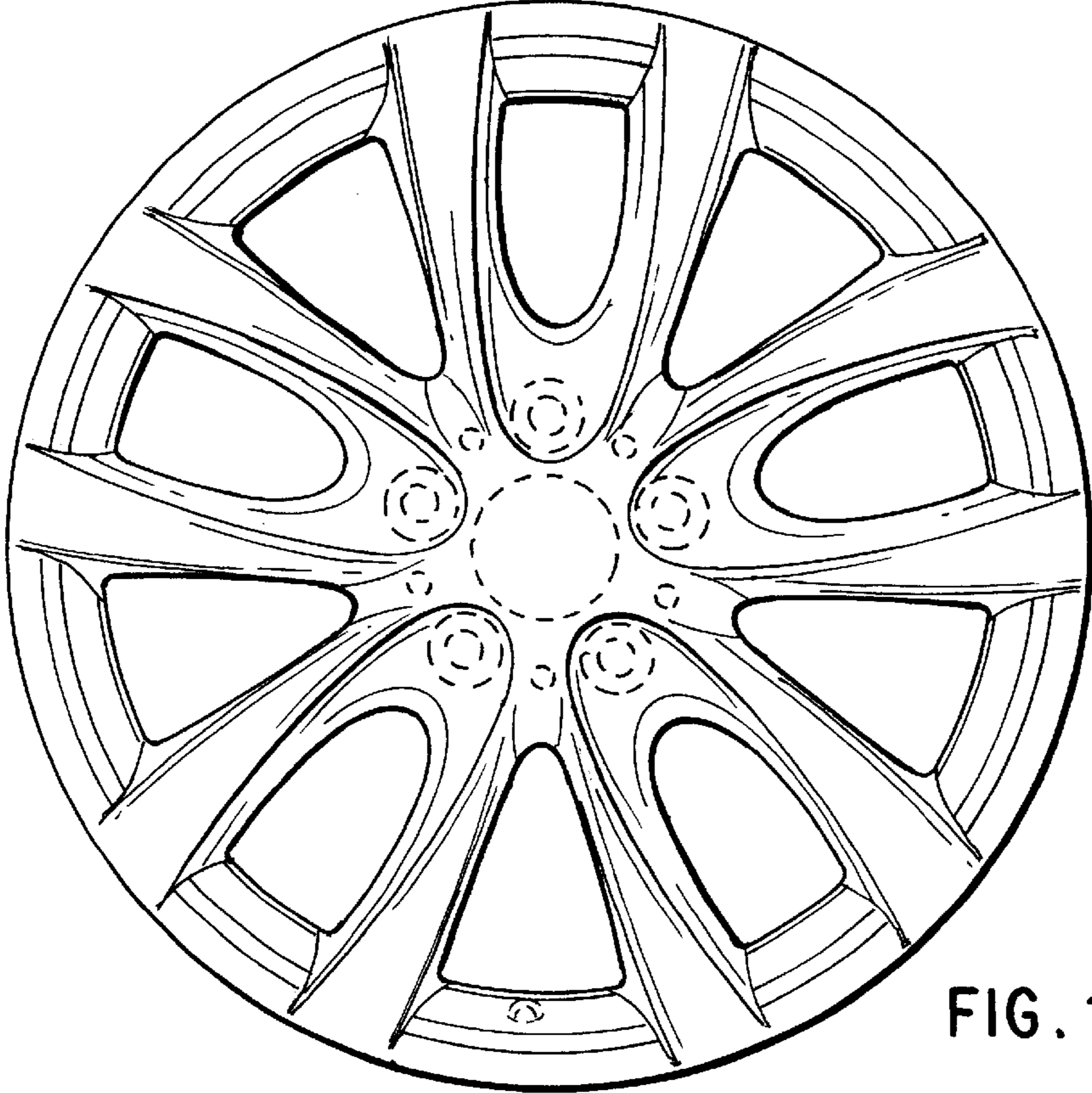


FIG. 1

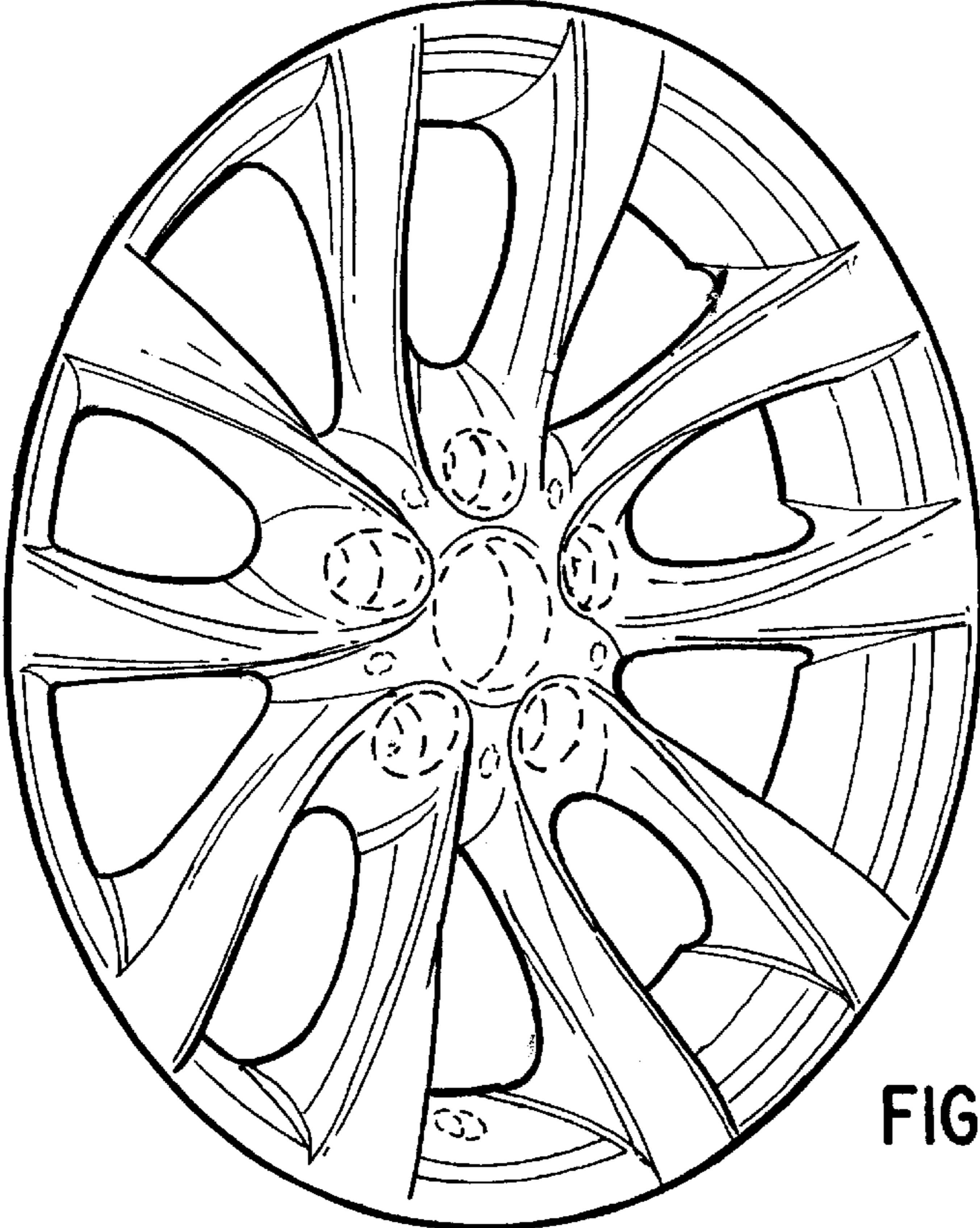


FIG. 2