

US00D522433S

(12) **United States Design Patent**  
**Szavits**

(10) **Patent No.:** **US D522,433 S**  
(45) **Date of Patent:** **\*\* Jun. 6, 2006**

(54) **FRONT FACE OF A VEHICLE WHEEL**

(75) Inventor: **Michael Szavits**, Munich (DE)

(73) Assignee: **Bayerische Motoren Werke Aktiengesellschaft**, Munich (DE)

(\*\*) Term: **14 Years**

(21) Appl. No.: **29/236,064**

(22) Filed: **Aug. 11, 2005**

(30) **Foreign Application Priority Data**

Feb. 25, 2005 (DE) ..... 40501152

(51) **LOC (8) Cl.** ..... **12-16**

(52) **U.S. Cl.** ..... **D12/209**

(58) **Field of Classification Search** ..... D12/204-213;  
301/37.101, 64.101, 65

See application file for complete search history.

(56) **References Cited**

**U.S. PATENT DOCUMENTS**

D399,179 S \* 10/1998 Suprihanto ..... D12/209  
D400,484 S \* 11/1998 Chrysanto ..... D12/209

D400,487 S \* 11/1998 Elbertse et al. .... D12/209  
D449,812 S \* 10/2001 Penzes ..... D12/211  
D466,849 S \* 12/2002 Lee ..... D12/209  
D475,672 S \* 6/2003 Chung ..... D12/209  
D487,881 S \* 3/2004 Laengerer ..... D12/209  
D488,420 S \* 4/2004 Murkett et al. .... D12/209  
D491,871 S \* 6/2004 Kang ..... D12/209  
D496,318 S \* 9/2004 Cheng ..... D12/209

\* cited by examiner

*Primary Examiner*—Stacia Cadmus

(74) *Attorney, Agent, or Firm*—Crowell & Moring LLP

(57) **CLAIM**

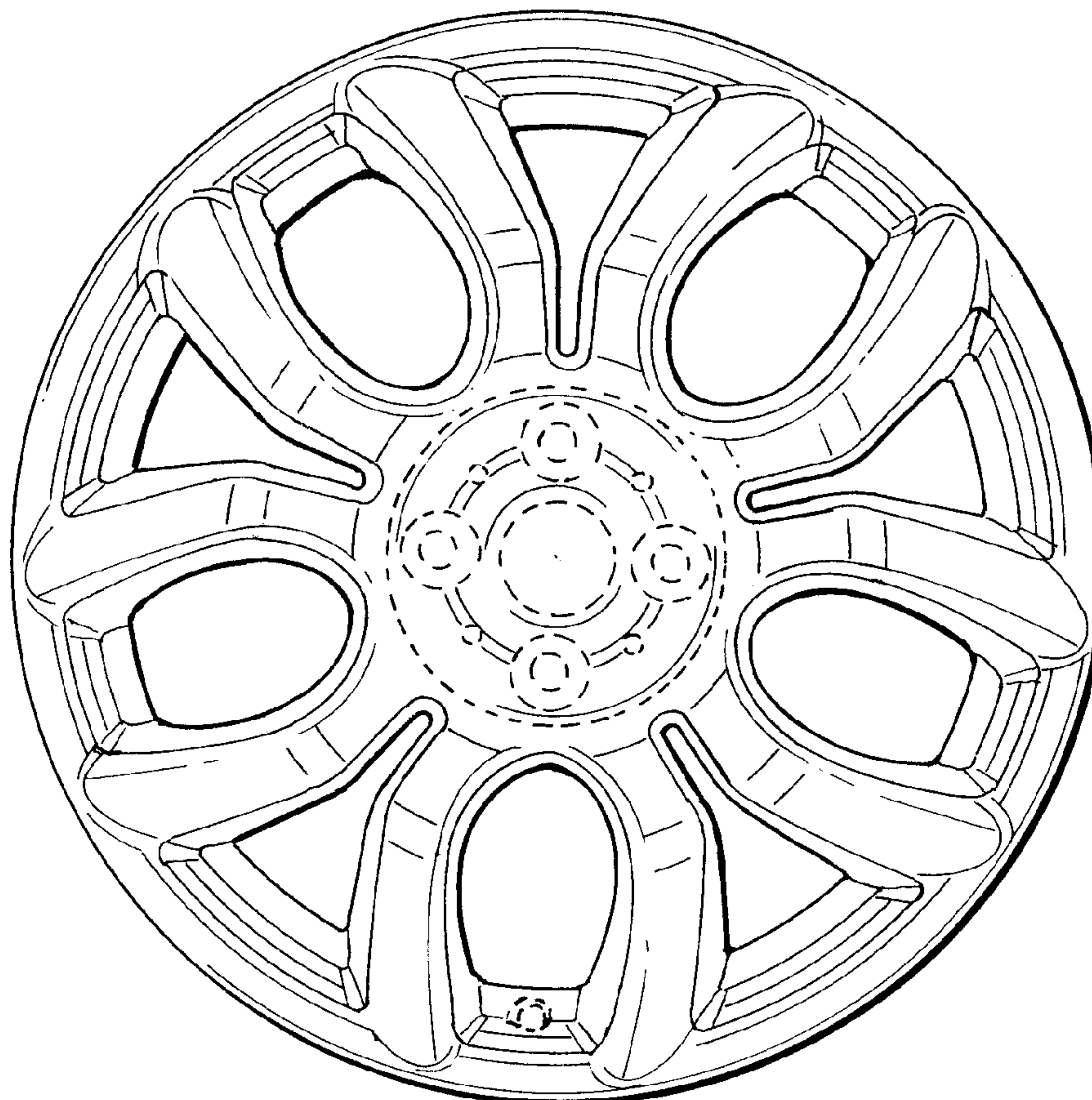
The ornamental design for a front face of a vehicle wheel, as shown and described.

**DESCRIPTION**

FIG. 1 is a front view of a front face of a vehicle wheel according to my novel design; and, FIG. 2 is a perspective view of the front face of a vehicle wheel according to my novel design.

The broken lines are for illustrative purposes only and form no part of the claimed design.

**1 Claim, 1 Drawing Sheet**



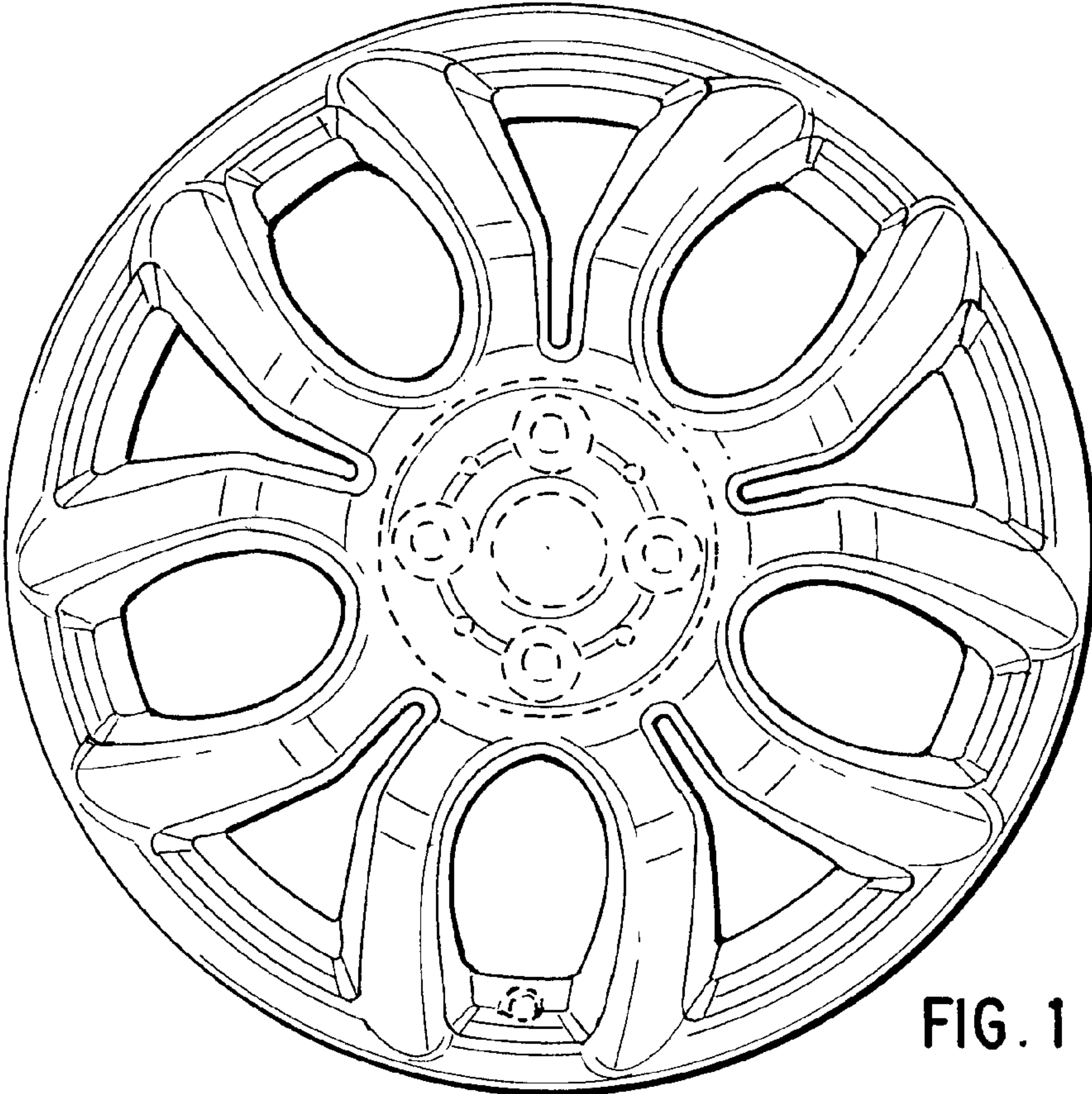


FIG. 1

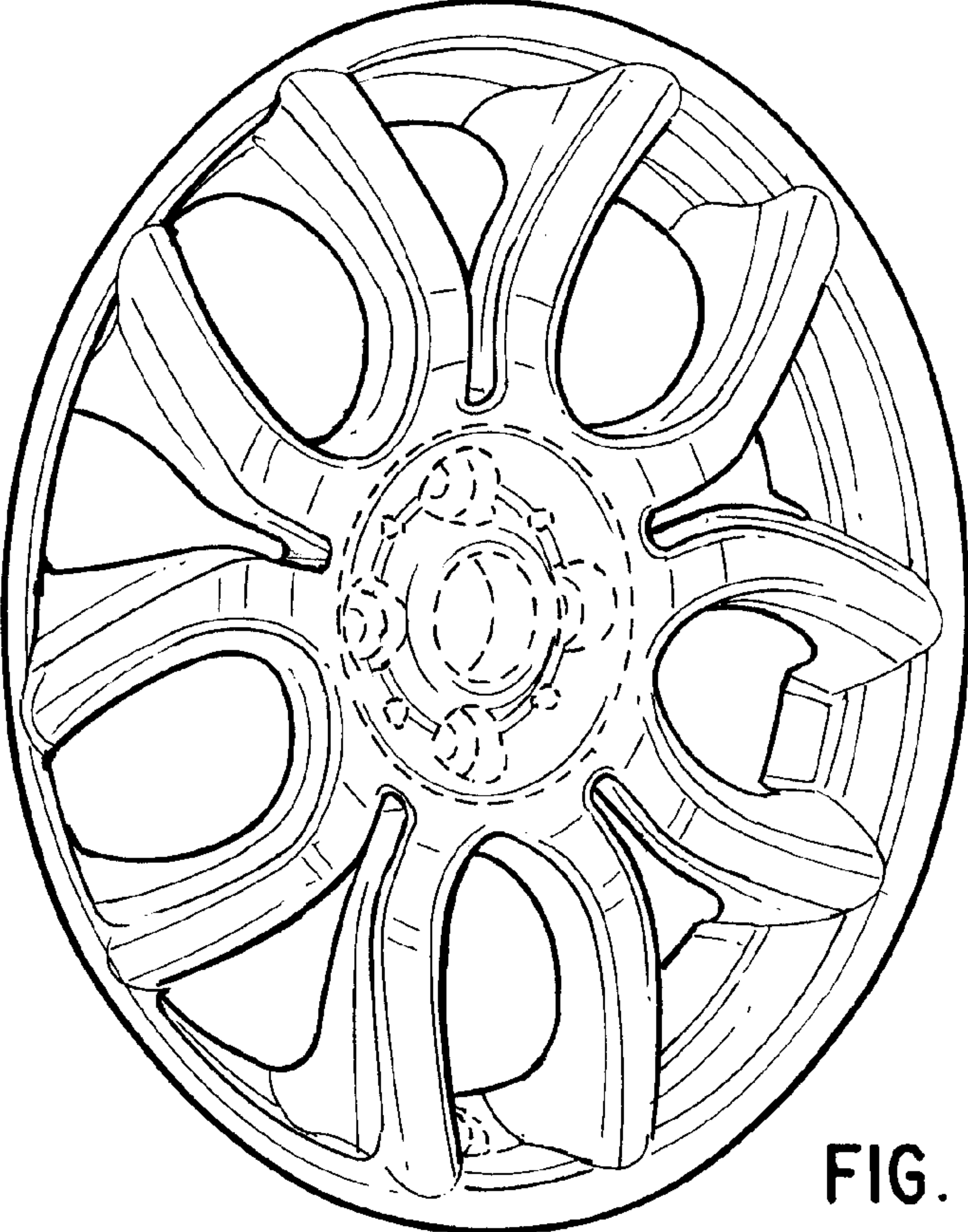


FIG. 2