



US00D522432S

(12) **United States Design Patent**  
**Pfeiffer**

(10) **Patent No.:** **US D522,432 S**  
(45) **Date of Patent:** **\*\* Jun. 6, 2006**

(54) **FRONT FACE OF A VEHICLE WHEEL**

(75) Inventor: **Peter Pfeiffer**, Boeblingen (DE)

(73) Assignee: **DaimlerChrysler AG**, Stuttgart (DE)

(\*\*) Term: **14 Years**

(21) Appl. No.: **29/232,593**

(22) Filed: **Jun. 22, 2005**

(30) **Foreign Application Priority Data**

Dec. 23, 2004 (DE) ..... 40407213

(51) **LOC (8) Cl.** ..... **12-16**

(52) **U.S. Cl.** ..... **D12/209**

(58) **Field of Classification Search** ..... D12/204-213;  
301/37.101, 64.101, 65  
See application file for complete search history.

(56) **References Cited**

**U.S. PATENT DOCUMENTS**

D412,692 S	*	8/1999	Hussaini	.....	D12/209
D421,417 S	*	3/2000	Weidhase	.....	D12/209
D433,659 S	*	11/2000	Frizzi	.....	D12/211
D450,647 S	*	11/2001	Pfeiffer	.....	D12/211
D450,650 S	*	11/2001	Cinibulk	.....	D12/211
D460,037 S	*	7/2002	Takechi	.....	D12/211
D466,853 S	*	12/2002	Maifrini	.....	D12/211
D467,855 S	*	12/2002	Laengerer	.....	D12/209

D477,262 S	*	7/2003	Koch	.....	D12/209
D478,307 S	*	8/2003	Maifrini	.....	D12/211
D481,663 S	*	11/2003	Maifrini	.....	D12/211
D485,524 S	*	1/2004	Bhambra	.....	D12/209
D486,770 S	*	2/2004	Pollmann	.....	D12/209
D489,309 S	*	5/2004	Laengerer	.....	D12/211
D500,277 S	*	12/2004	Kataoka	.....	D12/209
D509,175 S	*	9/2005	Marji	.....	D12/209

\* cited by examiner

*Primary Examiner*—Stacia Cadmus

(74) *Attorney, Agent, or Firm*—Crowell & Moring LLP

(57) **CLAIM**

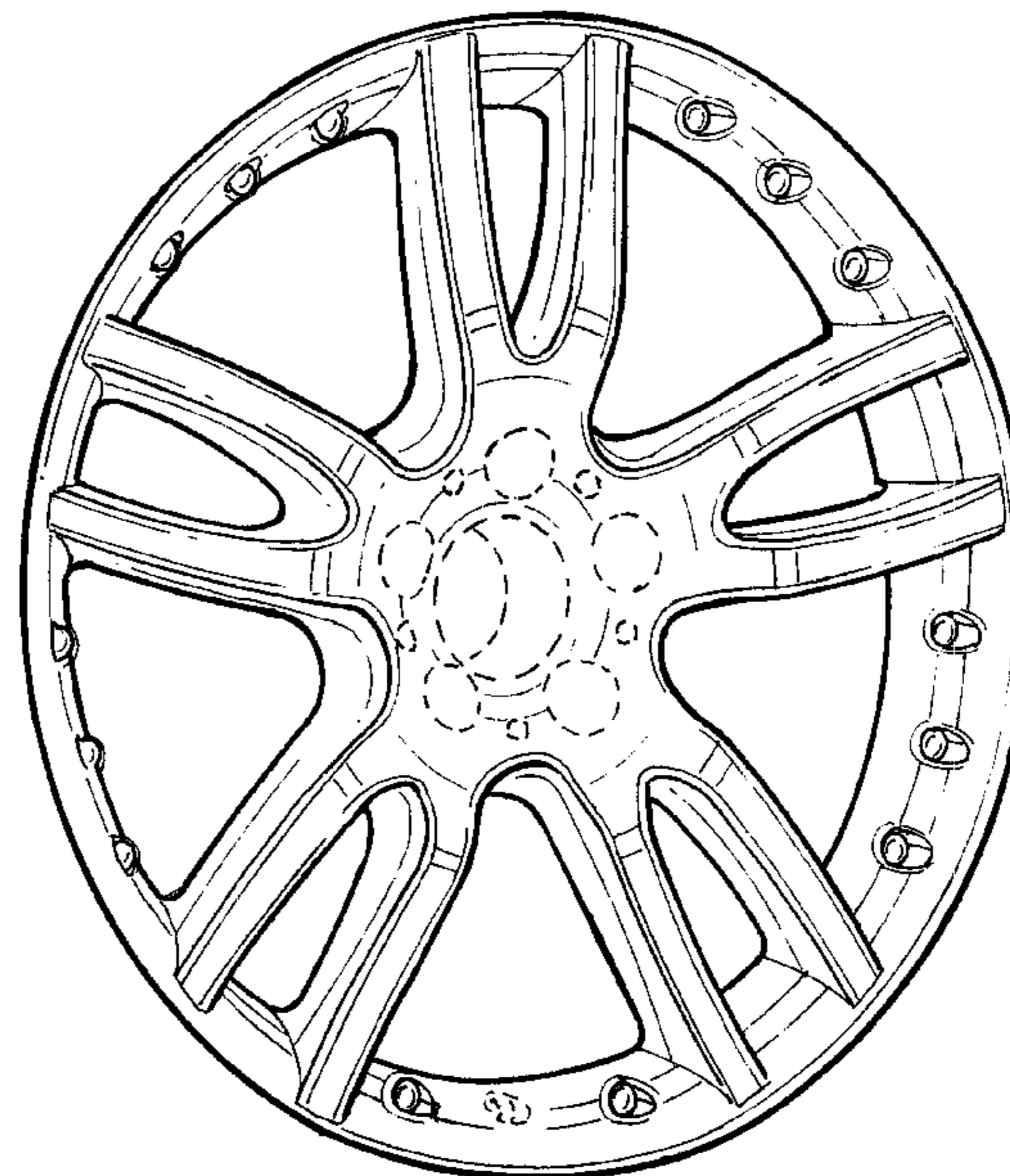
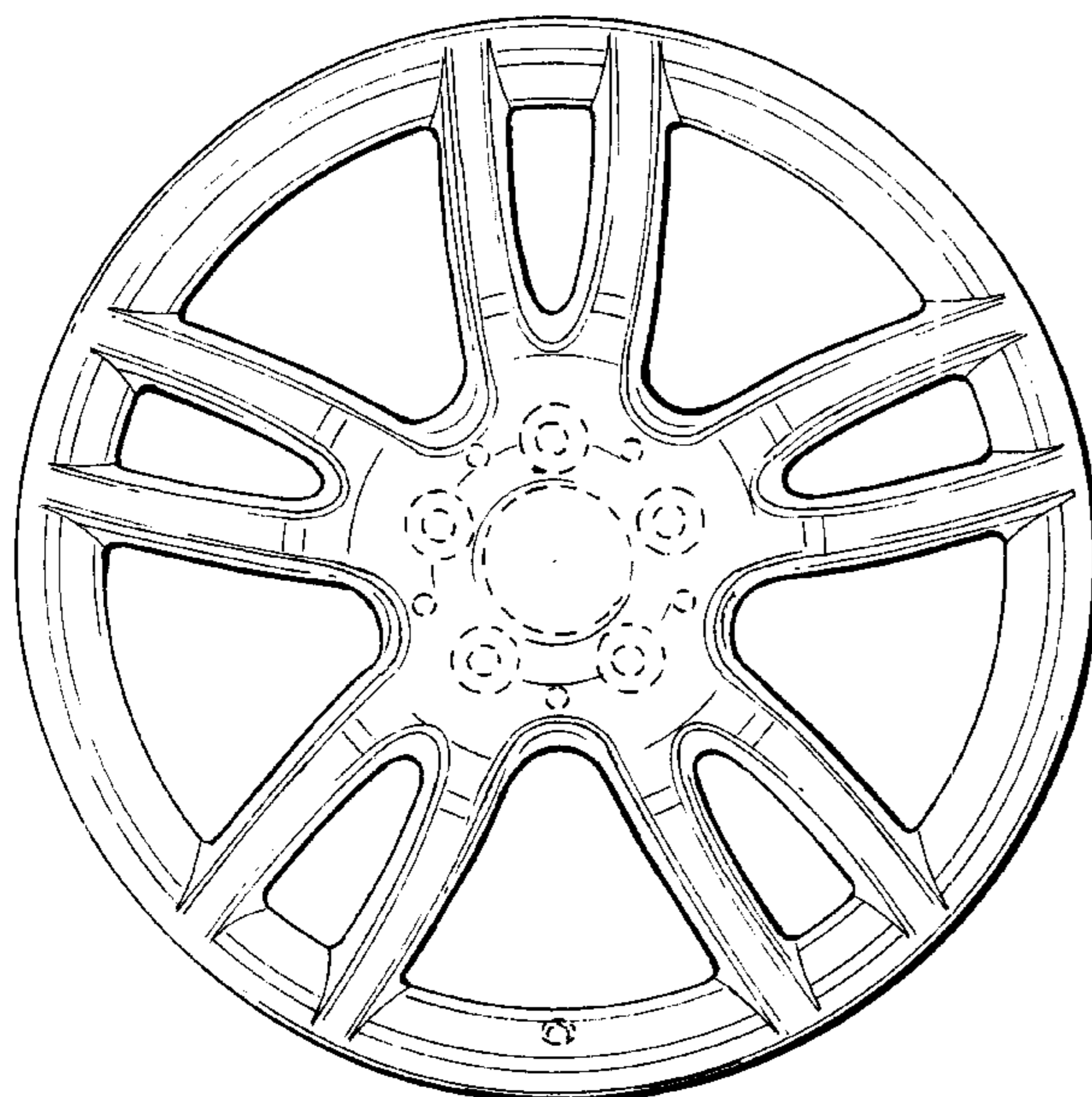
The ornamental design for a front face of a vehicle wheel, as shown and described.

**DESCRIPTION**

FIG. 1 is a front view of first embodiment of a front face of a vehicle wheel, according to my novel design; FIG. 2 is a perspective view of the first embodiment of the front face of a vehicle wheel according to my novel design; FIG. 3 is a front view of a second embodiment of the front face of a vehicle wheel according to my novel design; and, FIG. 4 is a perspective view of the second embodiment of the front face of a vehicle wheel according to my novel design.

The broken lines are for illustrative purposes only and form no part of the claimed design.

**1 Claim, 2 Drawing Sheets**



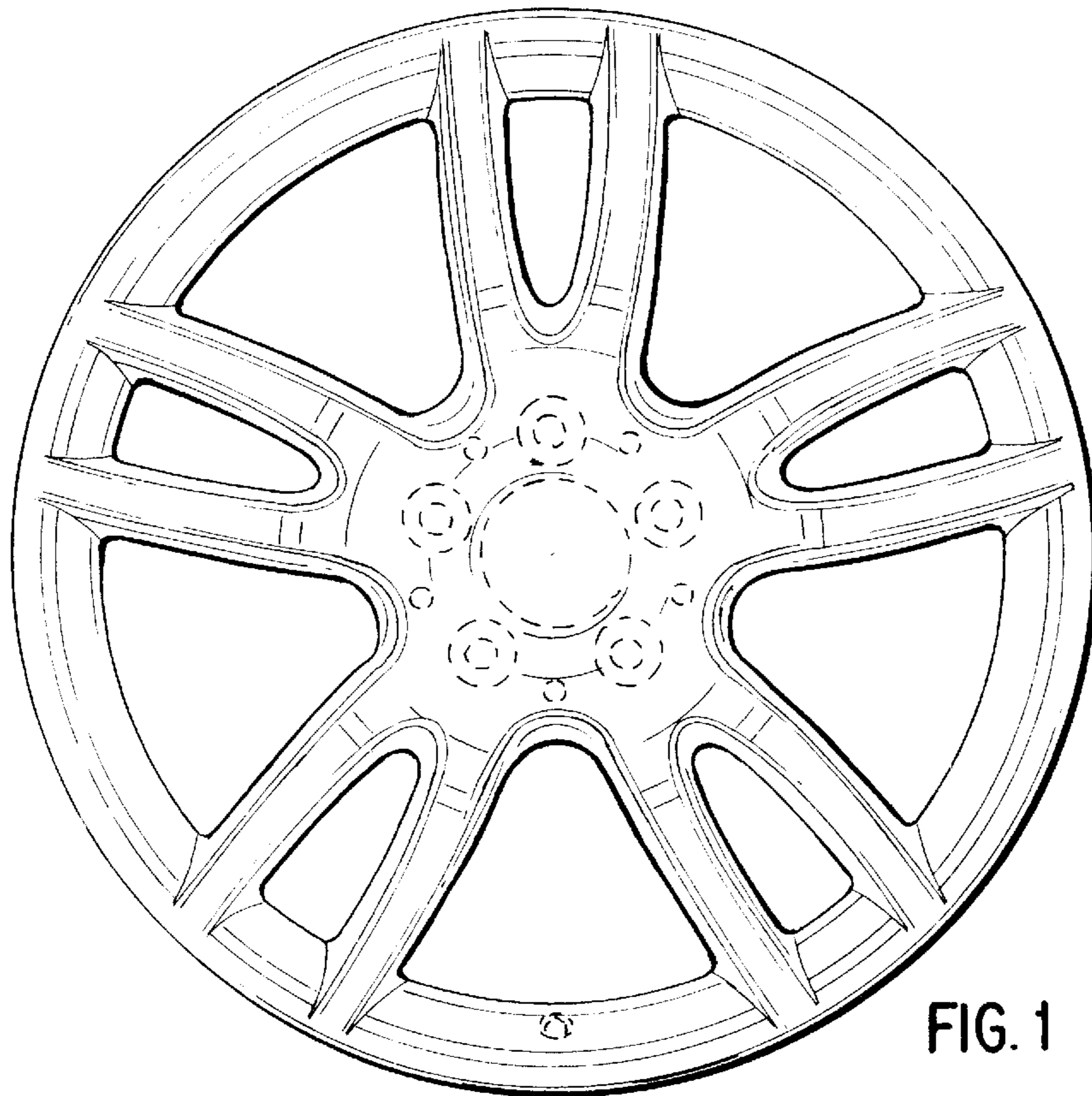


FIG. 1

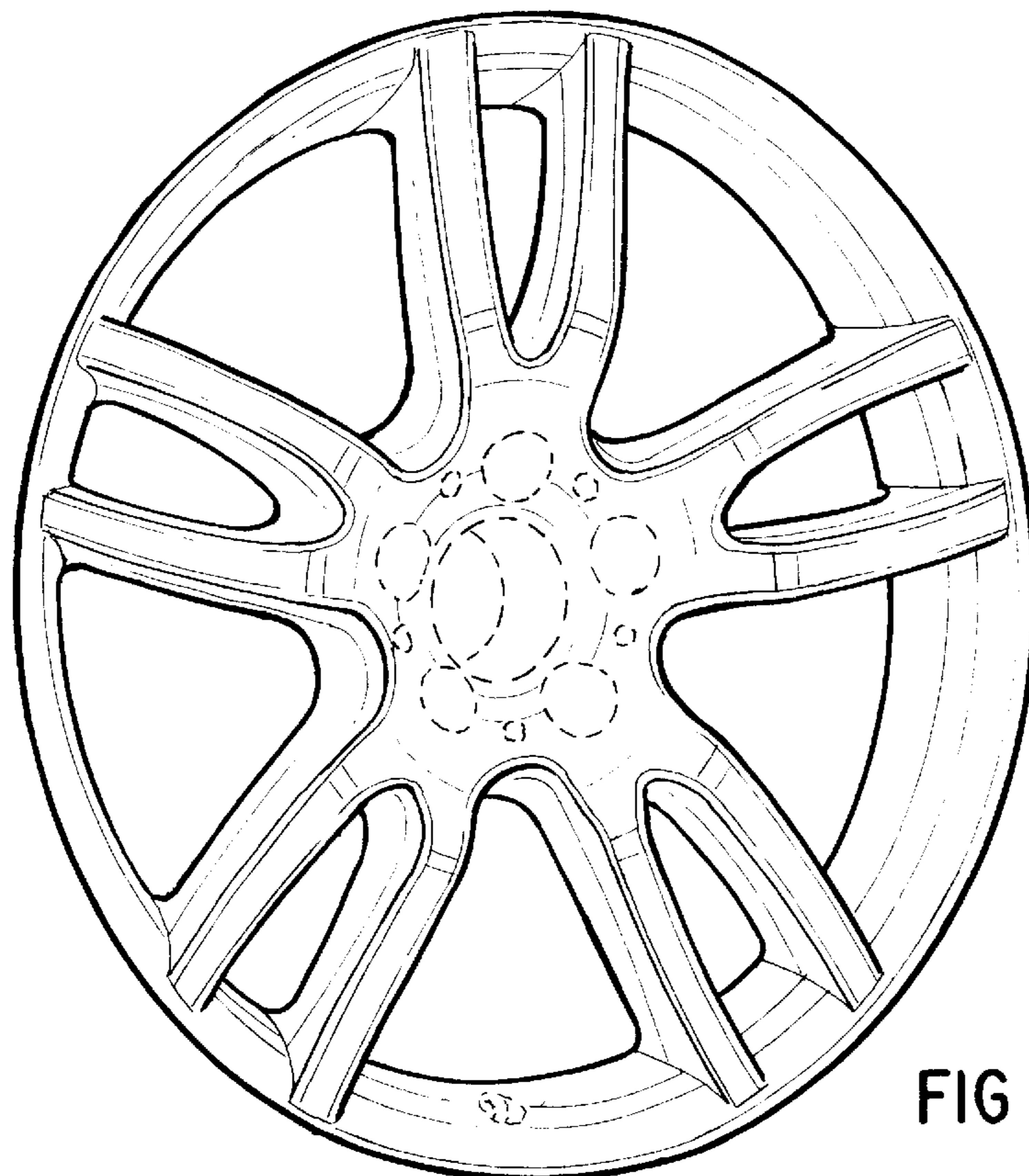


FIG. 2

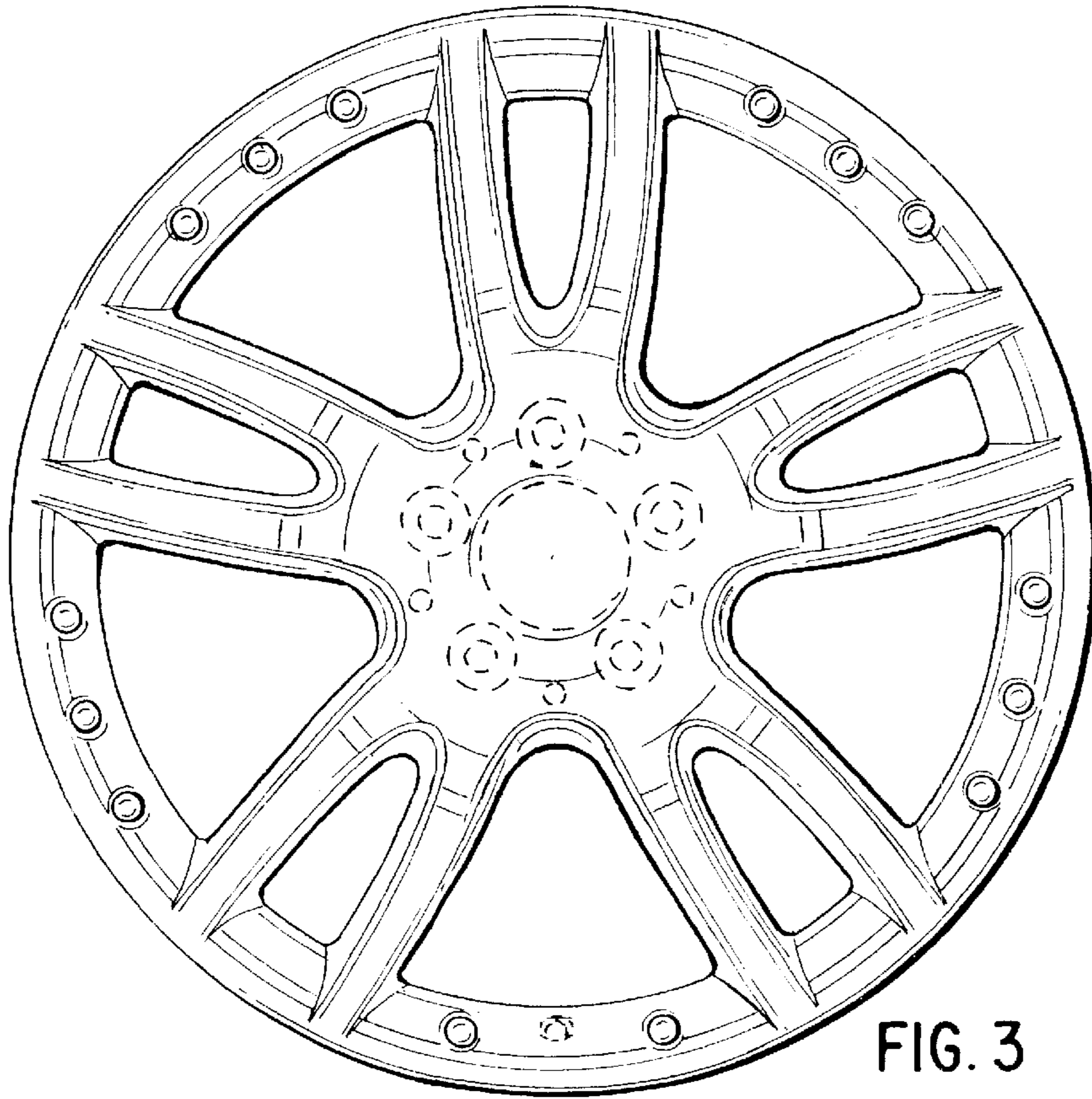


FIG. 3

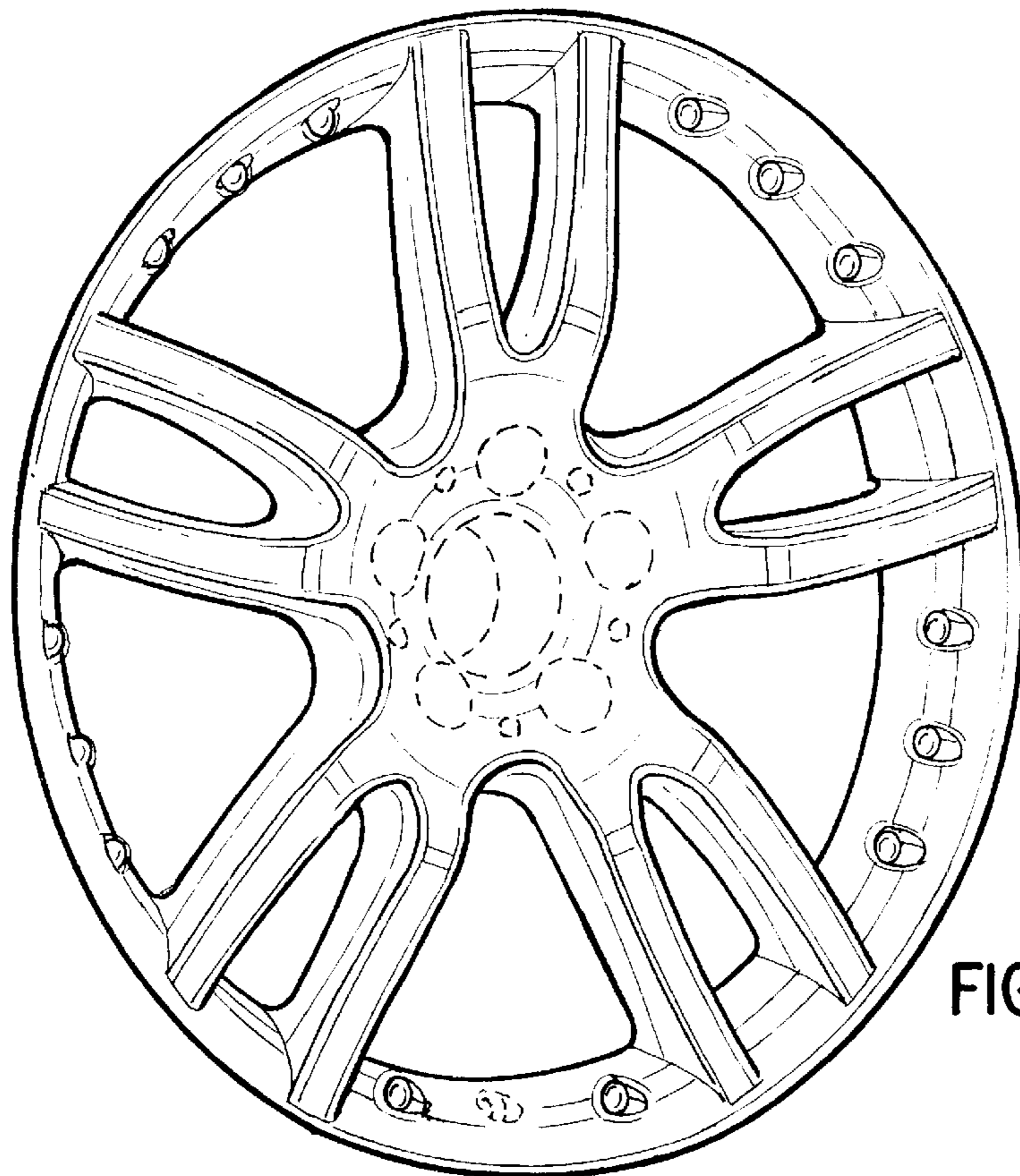


FIG. 4