

US00D522424S

(12) **United States Design Patent**
Nordmann

(10) **Patent No.:** **US D522,424 S**
(45) **Date of Patent:** **** Jun. 6, 2006**

(54) **SURFACE CONFIGURATION OF A REAR FENDER FOR A VEHICLE**

(75) Inventor: **Christoph Nordmann**, Munich (DE)

(73) Assignee: **Bayerische Motoren Werke Aktiengesellschaft**, Munich (DE)

(**) Term: **14 Years**

(21) Appl. No.: **29/227,209**

(22) Filed: **Apr. 8, 2005**

(51) **LOC (8) Cl.** **12-16**

(52) **U.S. Cl.** **D12/196**

(58) **Field of Classification Search** D12/184,
D12/196, 90-92, 86; 280/152.1, 153.1, 848
See application file for complete search history.

(56) **References Cited**

U.S. PATENT DOCUMENTS

| | | | | | |
|------------|---|--------|----------------|-------|---------|
| D382,844 S | * | 8/1997 | Norwood et al. | | D12/184 |
| D392,220 S | * | 3/1998 | Haussmann | | D12/91 |
| D476,935 S | * | 7/2003 | Boyer | | D12/184 |
| D491,857 S | * | 6/2004 | Velazco | | D12/196 |
| D496,306 S | * | 9/2004 | Chapman | | D12/92 |
| D505,899 S | * | 6/2005 | Boyer | | D12/196 |

* cited by examiner

Primary Examiner—Melody N. Brown

(74) *Attorney, Agent, or Firm*—Crowell & Moring LLP

(57) **CLAIM**

The ornamental design for a surface configuration of a rear fender for a vehicle, as shown and described.

DESCRIPTION

This application is related to the following co-pending application, of the inventor, filed on even date herewith: application Ser. No. 29/227,208, entitled "Surface Configuration of a Vehicle, Toy, and/or Other Replicas".

FIG. 1 is a front perspective view of a first embodiment of a surface configuration of a rear fender for a vehicle according to my novel design;

FIG. 2 is a rear perspective view of the first embodiment of the surface configuration of a rear fender for a vehicle according to my novel design;

FIG. 3 is a side view of the first embodiment of the surface configuration of a rear fender for a vehicle according to my novel design;

FIG. 4 is a front view of the first embodiment of the surface configuration of a rear fender for a vehicle according to my novel design;

FIG. 5 is a rear view of the first embodiment of the surface configuration of a rear fender for a vehicle according to my novel design;

FIG. 6 is a top view of the first embodiment of the surface configuration of a rear fender for a vehicle according to my novel design;

FIG. 7 is a front perspective view of a second embodiment of the surface configuration of a rear fender for a vehicle according to my novel design;

FIG. 8 is a rear perspective view of the second embodiment of the surface configuration of a rear fender for a vehicle according to my novel design;

FIG. 9 is a side view of the second embodiment of the surface configuration of a rear fender for a vehicle according to my novel design;

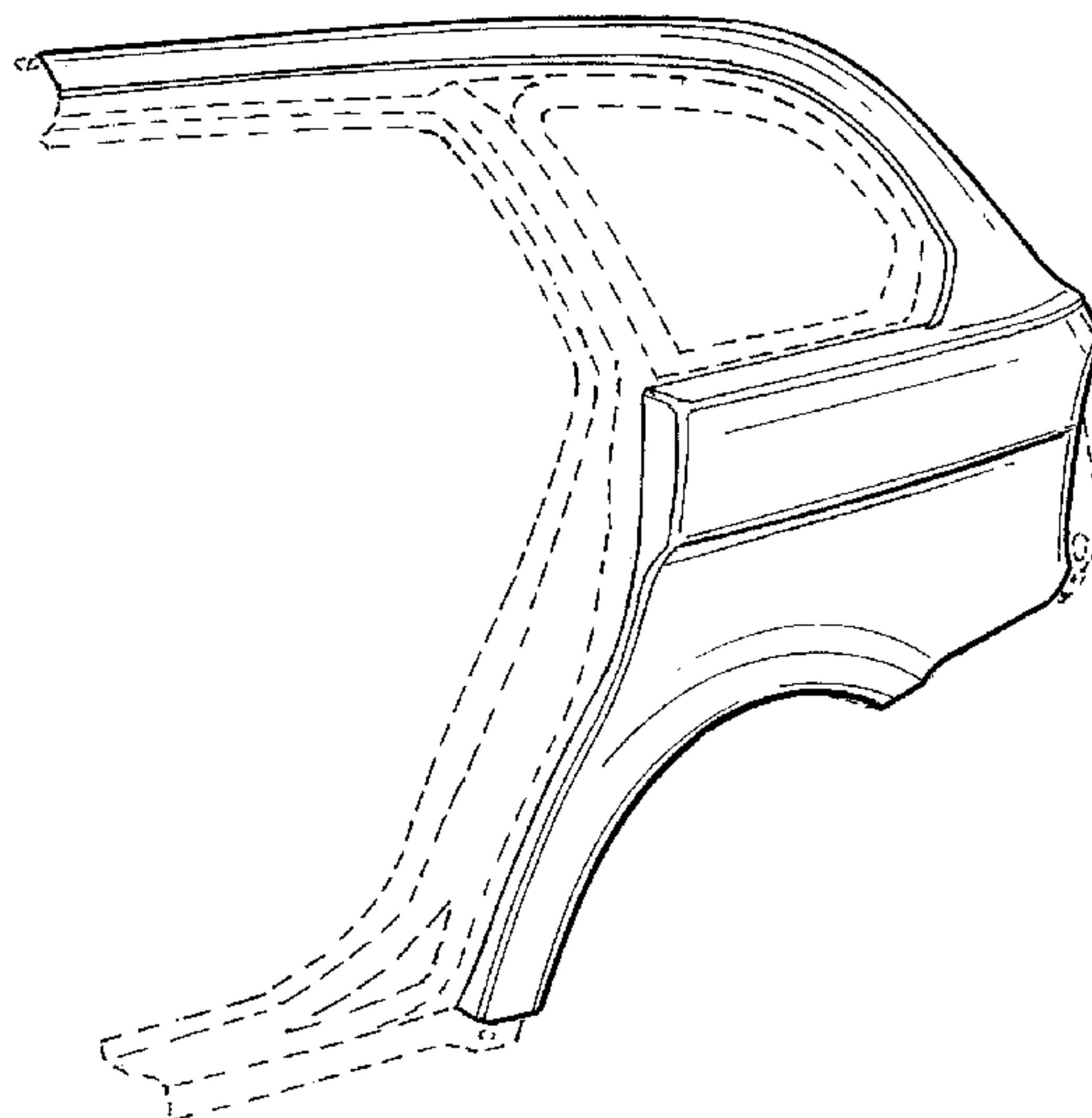
FIG. 10 is a rear view of the second embodiment of the surface configuration of a rear fender for a vehicle according to my novel design;

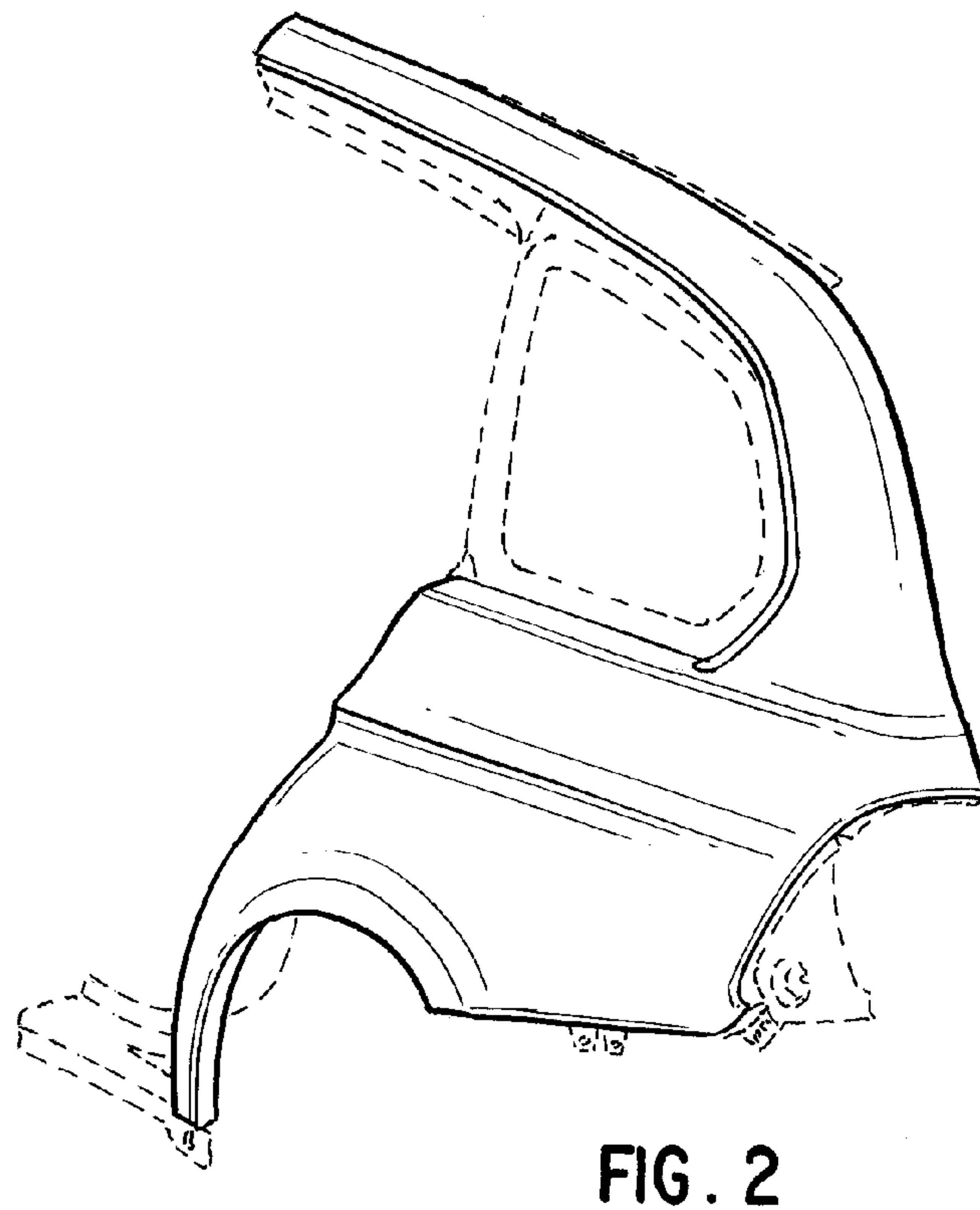
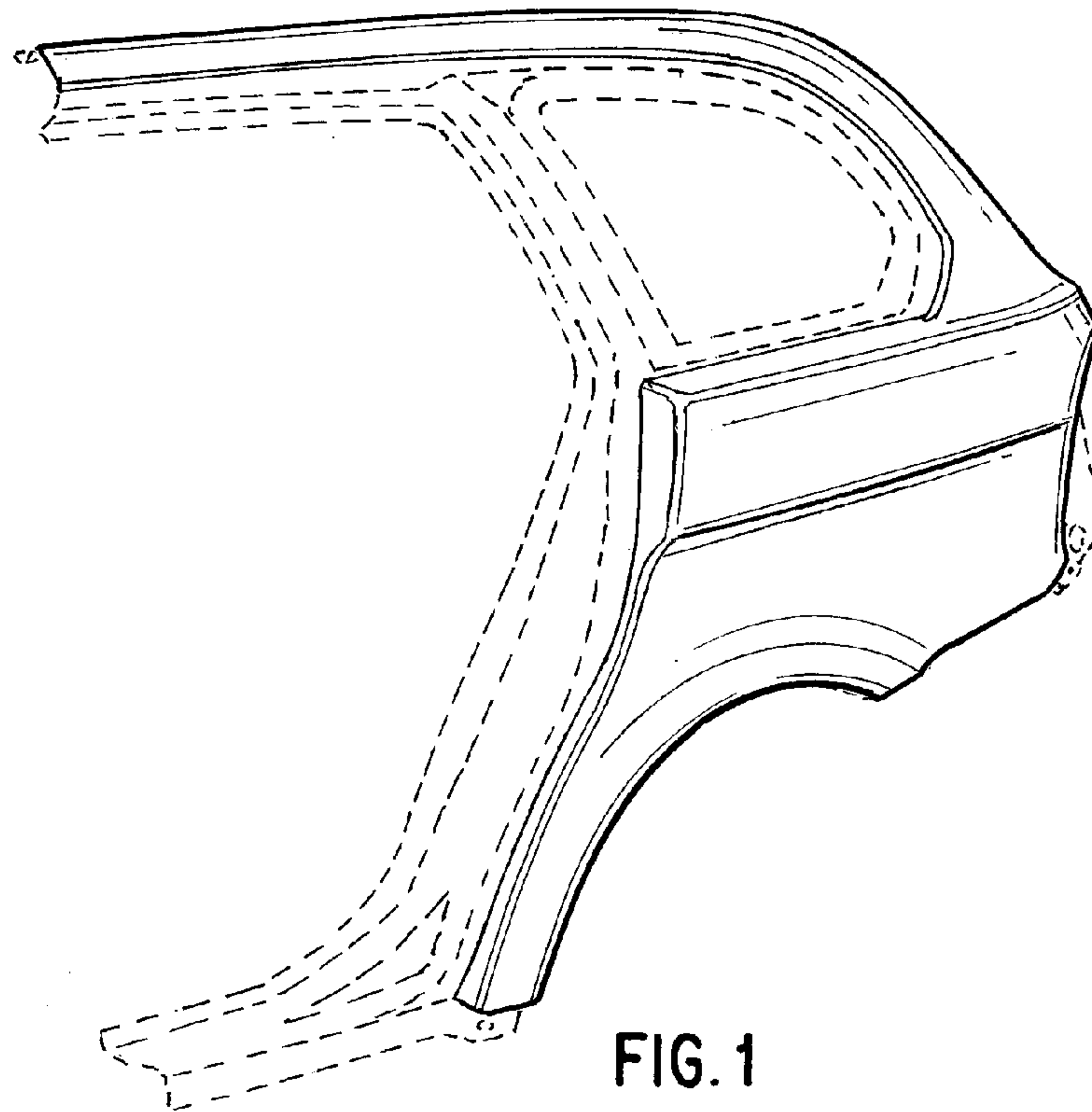
FIG. 11 is a front view of the second embodiment of the surface configuration of a rear fender for a vehicle according to my novel design; and,

FIG. 12 is a top view of the second embodiment of the surface configuration of a rear fender for a vehicle according to my novel design.

The broken lines are for illustrative purposes only and form no part of the claimed design.

1 Claim, 6 Drawing Sheets





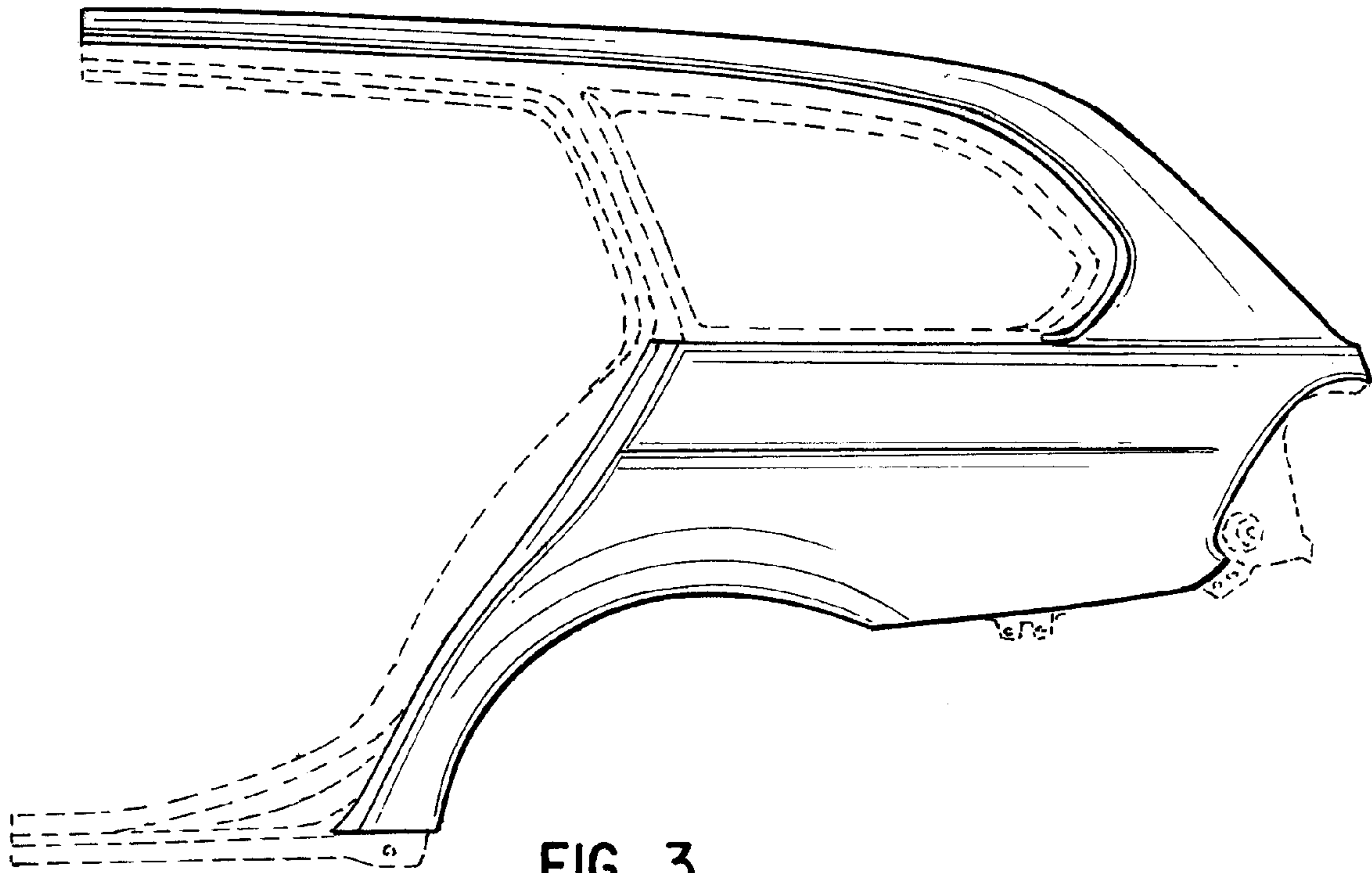


FIG. 3

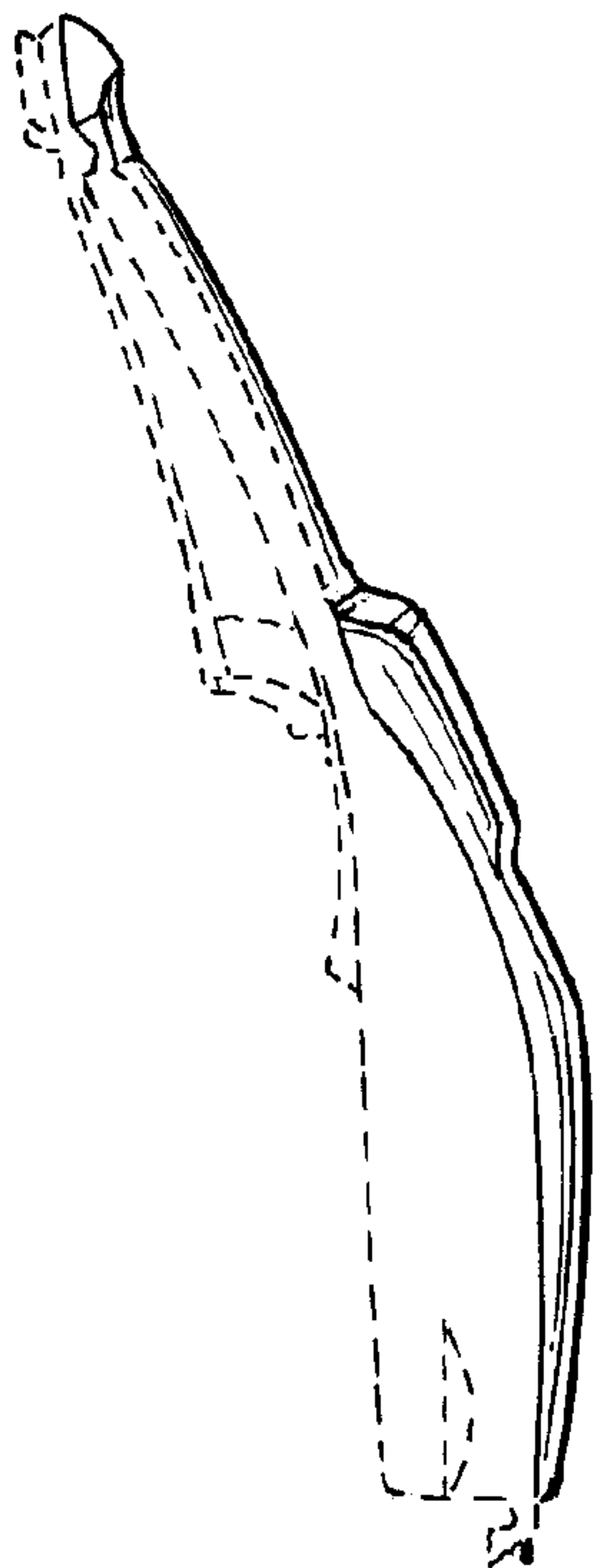


FIG. 4

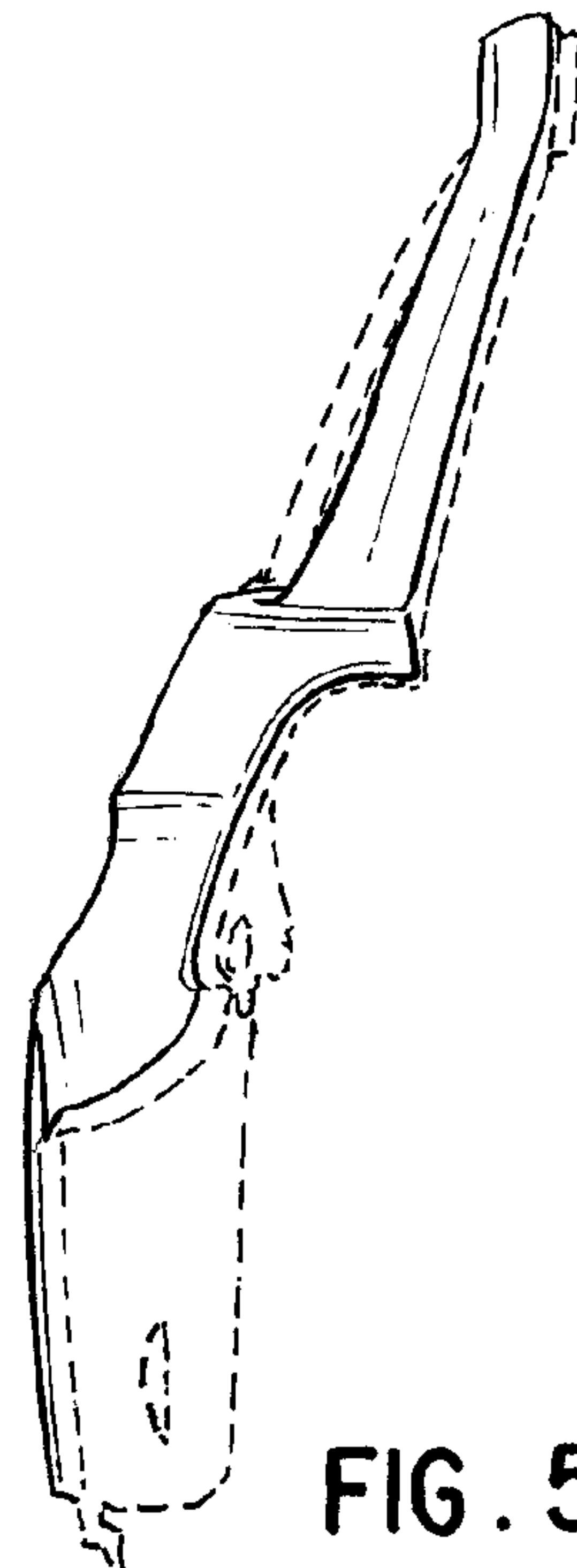


FIG. 5

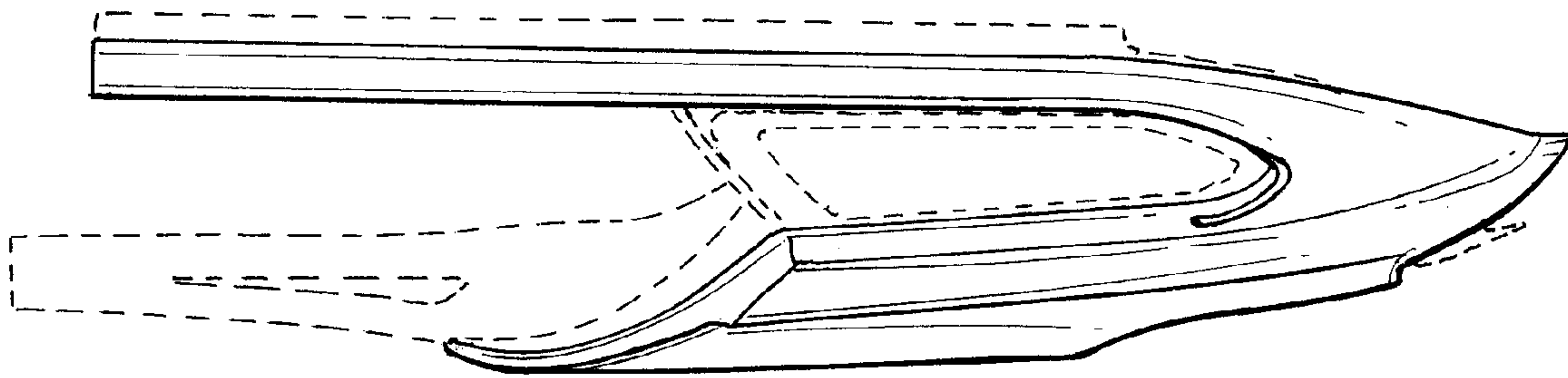


FIG. 6

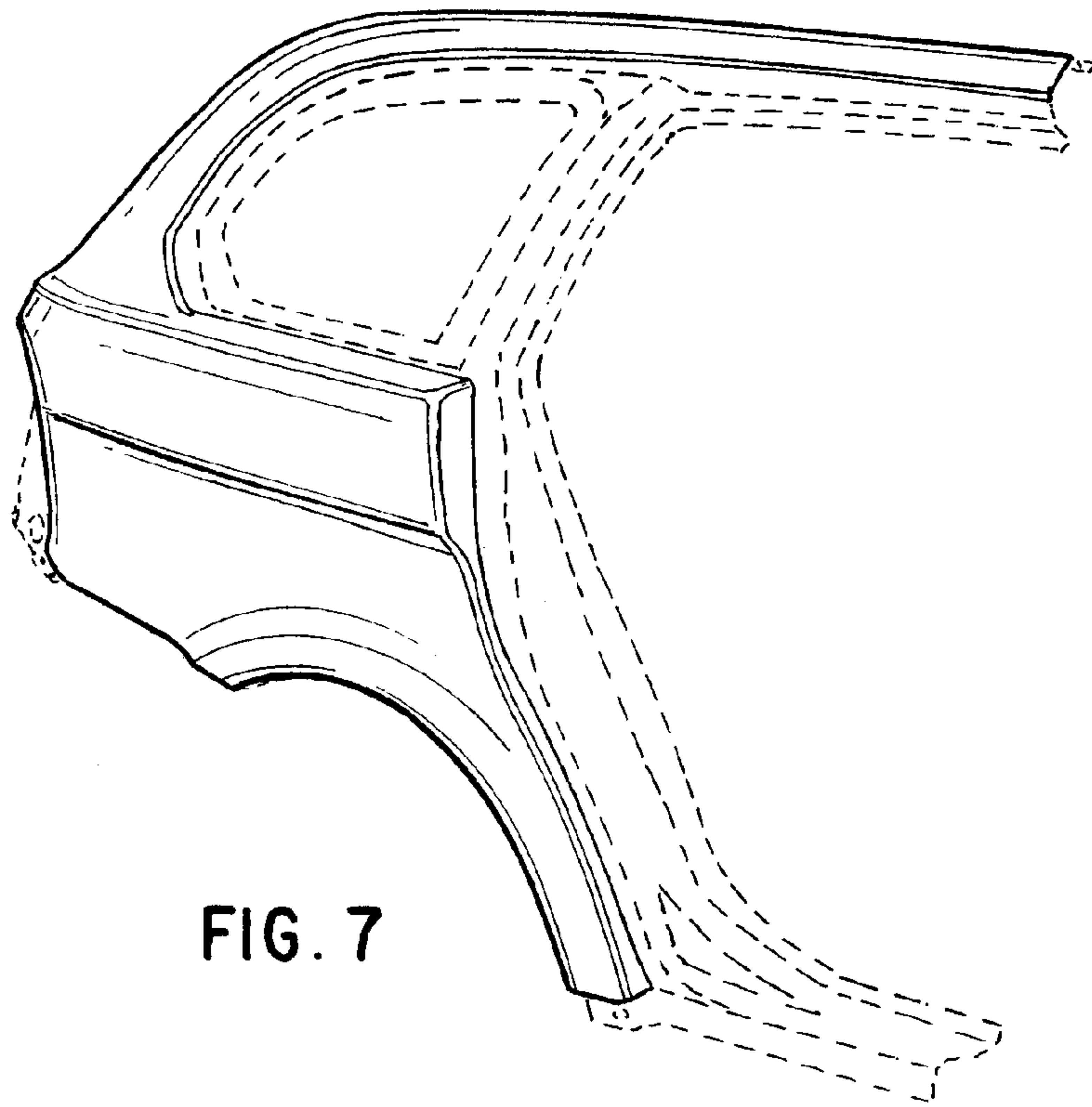


FIG. 7

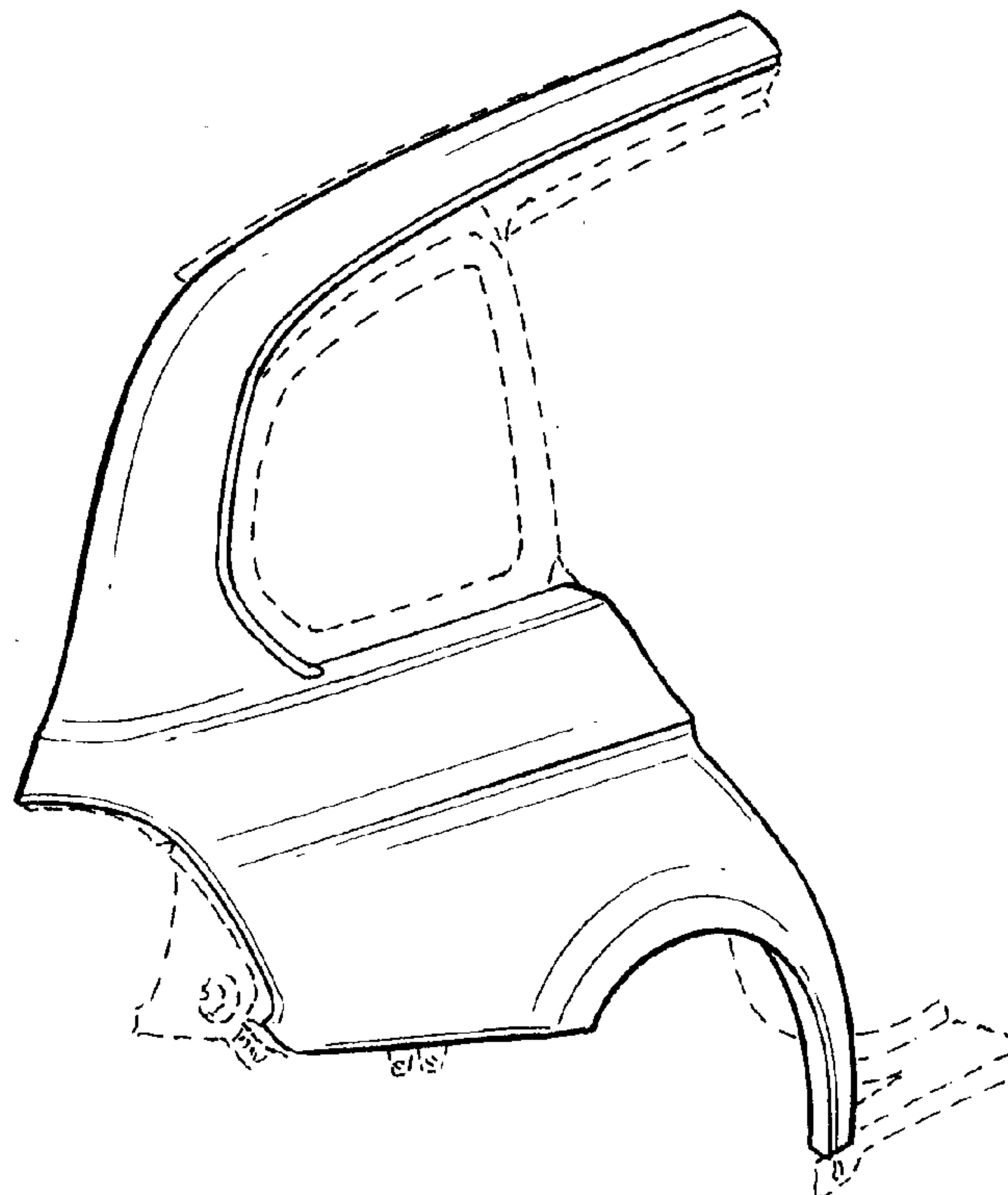
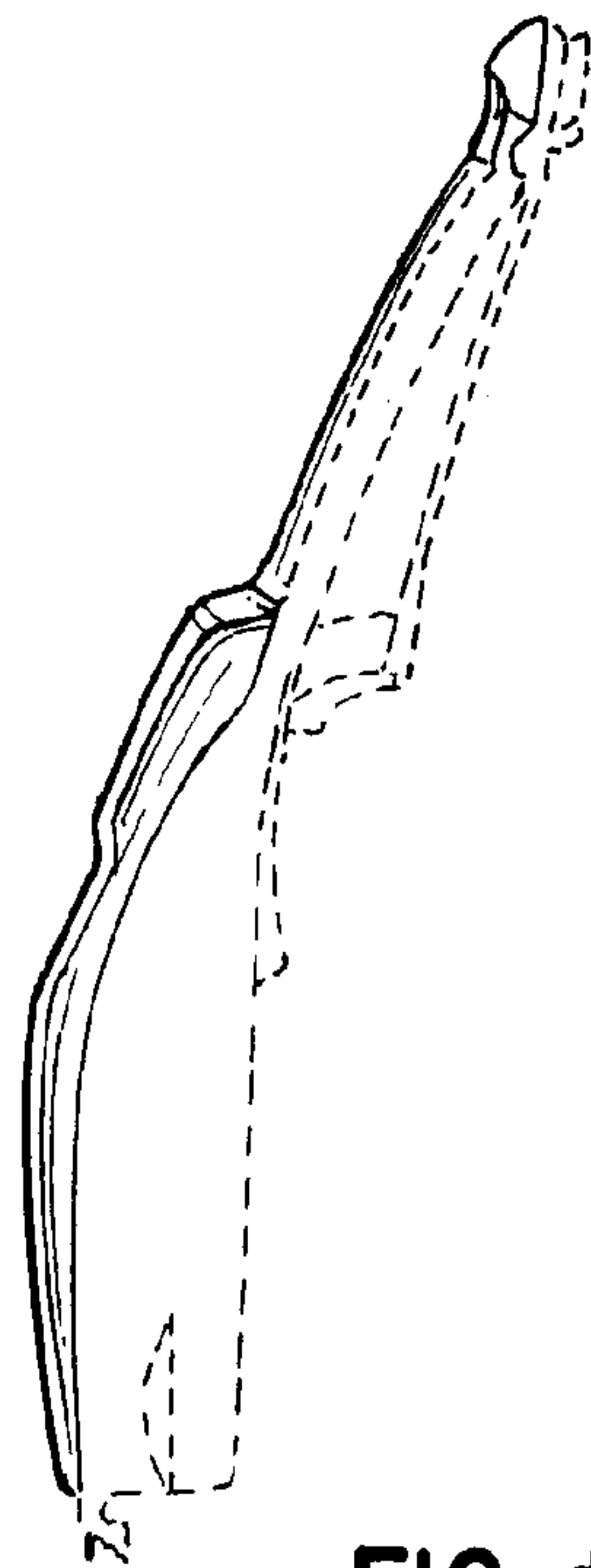
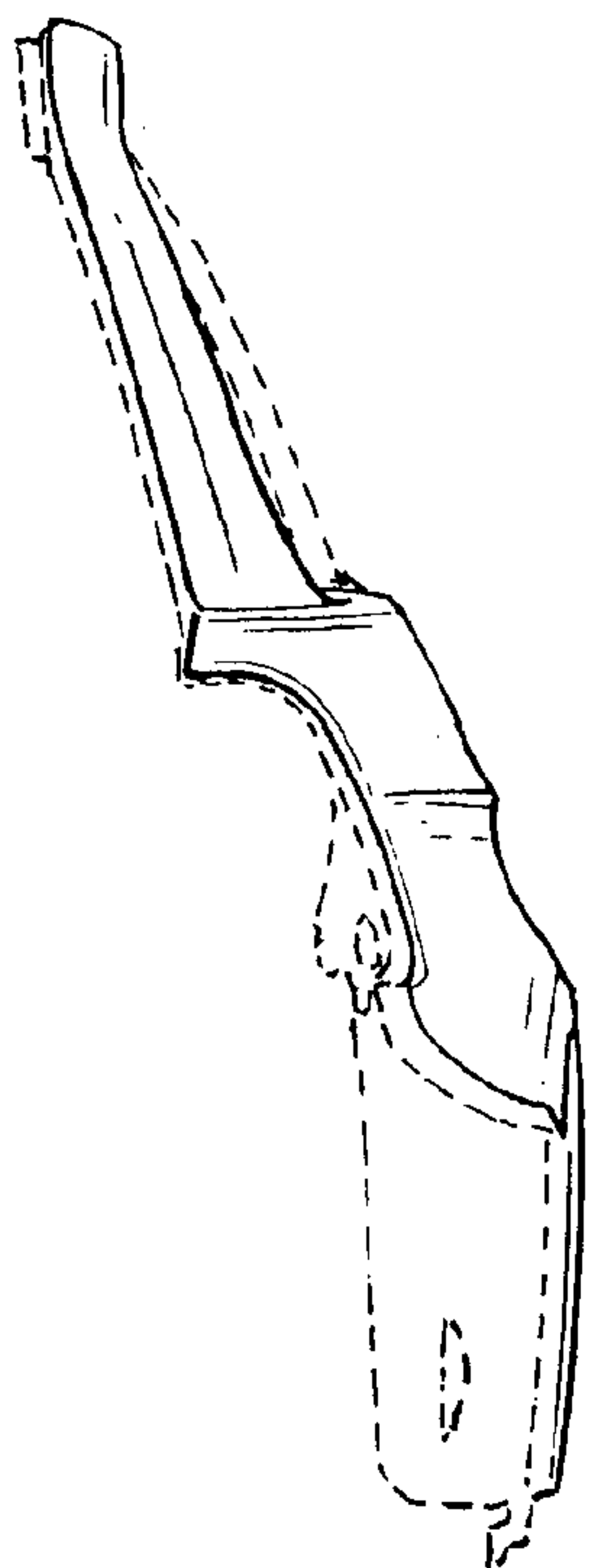
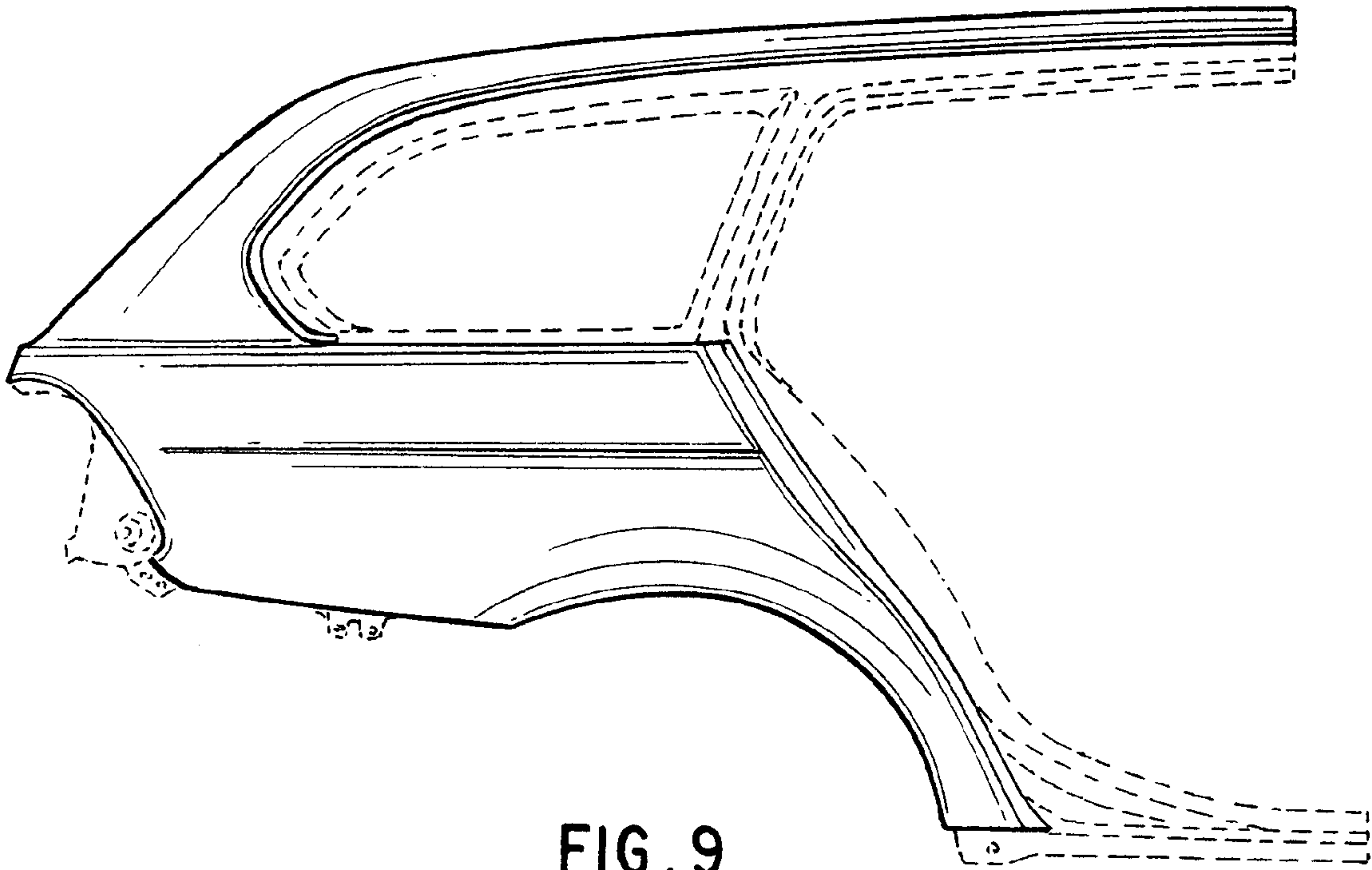


FIG. 8



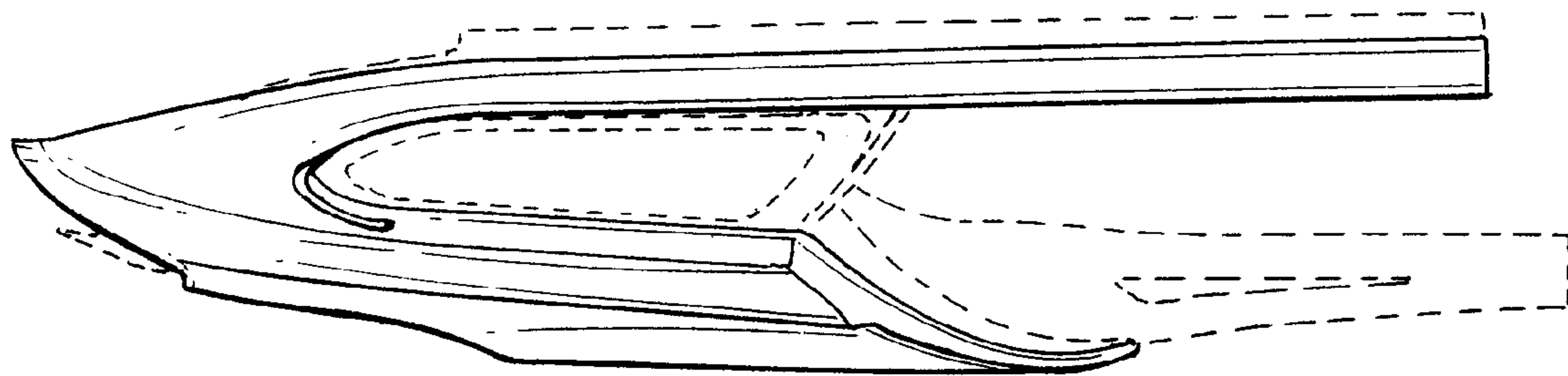


FIG.12