



US00D522423S

(12) **United States Design Patent**  
**Hesse**

(10) **Patent No.:** **US D522,423 S**  
(45) **Date of Patent:** **\*\* Jun. 6, 2006**

(54) **DEFLECTOR ASSEMBLY FOR MOTORCYCLE**

(76) Inventor: **Walter T. Hesse**, 4815 Plummers Point Rd., Oshkosh, WI (US) 54904

(\*\*) Term: **14 Years**

(21) Appl. No.: **29/226,774**

(22) Filed: **Apr. 1, 2005**

(51) **LOC (8) Cl.** ..... **12-08**

(52) **U.S. Cl.** ..... **D12/181**

(58) **Field of Classification Search** ..... D12/110,  
D12/114, 126, 181, 182; 180/219; 296/78.1,  
296/193.09, 180.1, 206, 77.1, 84.1; 280/304.3,  
280/281.1, 288.1-288.4, 152.1, 847, 848  
See application file for complete search history.

(56) **References Cited**

**U.S. PATENT DOCUMENTS**

D57,703 S \* 4/1921 Miller ..... D12/181  
D285,427 S \* 9/1986 Cline ..... D12/114  
D294,817 S \* 3/1988 Preisler ..... D12/182

D295,277 S \* 4/1988 Preisler ..... D12/182

\* cited by examiner

*Primary Examiner*—Alan P. Douglas

*Assistant Examiner*—Linda Brooks

(74) *Attorney, Agent, or Firm*—Jon C. Gealow

(57) **CLAIM**

The ornamental design for a deflector assembly for motorcycle, as shown and described.

**DESCRIPTION**

FIG. 1 is a front elevation view of a deflector assembly for motorcycle, showing my new design, the broken lines are shown for illustrative purposes only and form no part of the claimed design;

FIG. 2 is a rear elevation view thereof;

FIG. 3 is a top elevation view thereof;

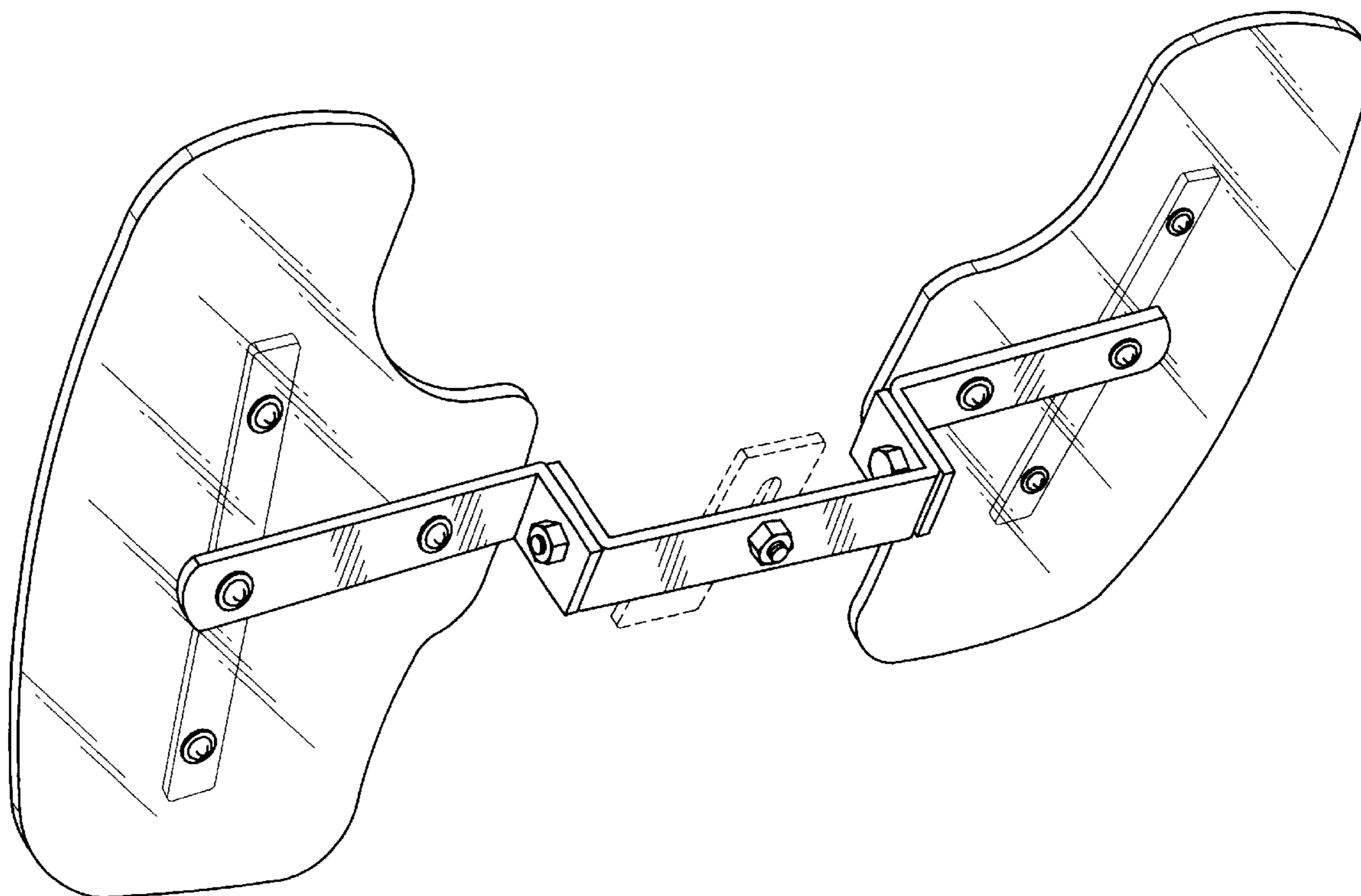
FIG. 4 is a bottom elevation view thereof;

FIG. 5 is a right side elevation view thereof;

FIG. 6 is a left side elevation view thereof; and,

FIG. 7 is a front perspective view thereof.

**1 Claim, 5 Drawing Sheets**



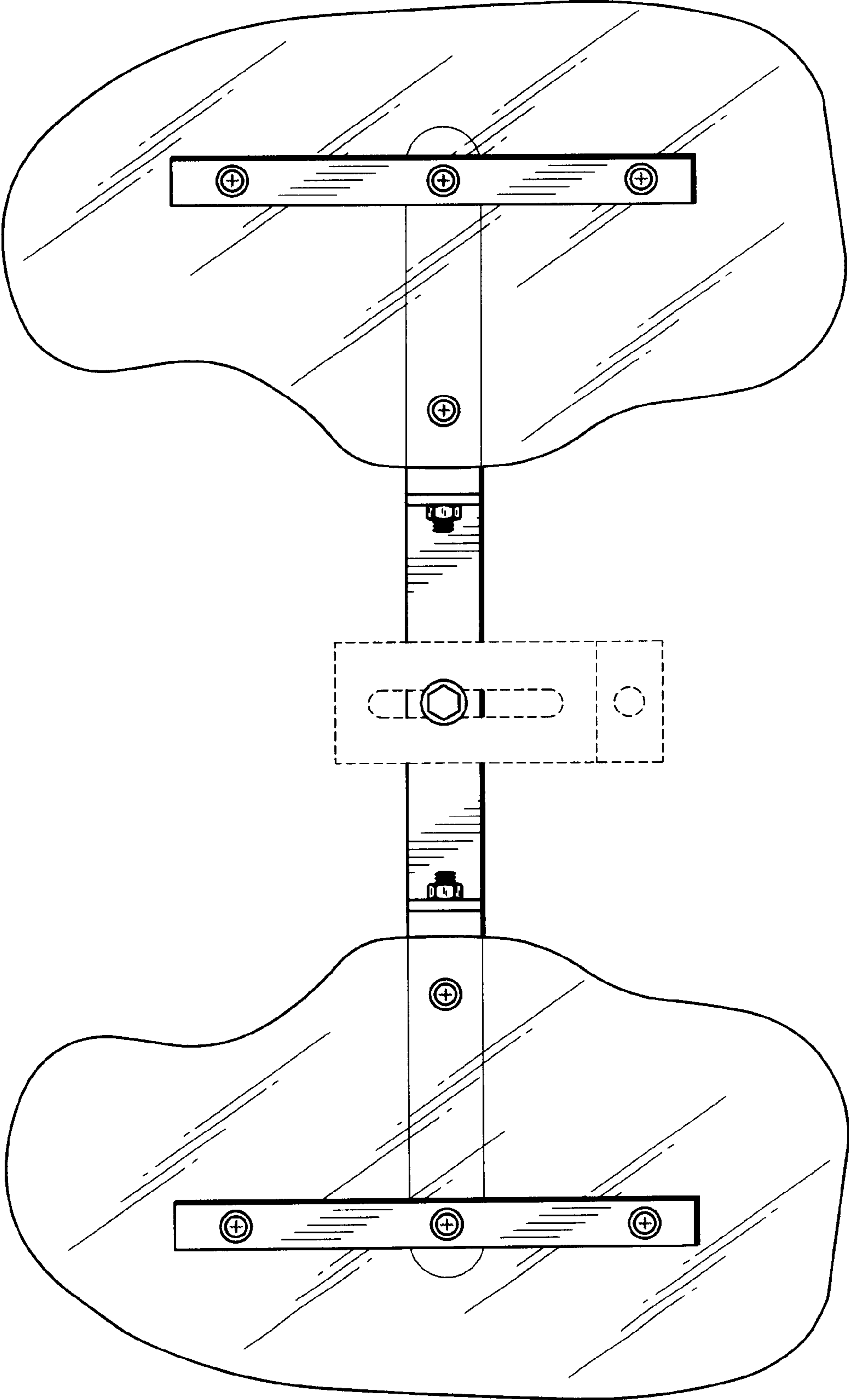


Fig. 1

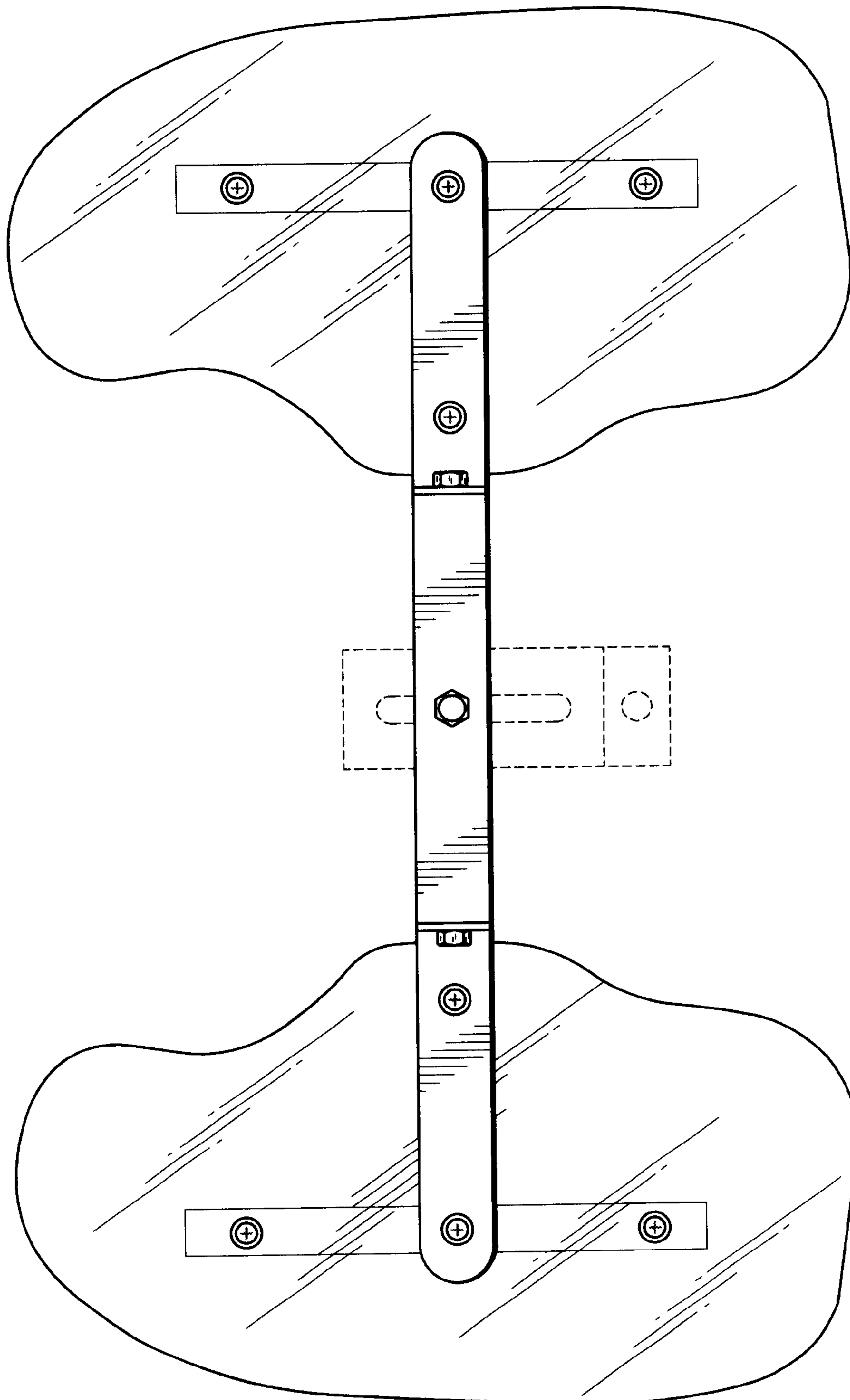


Fig. 2

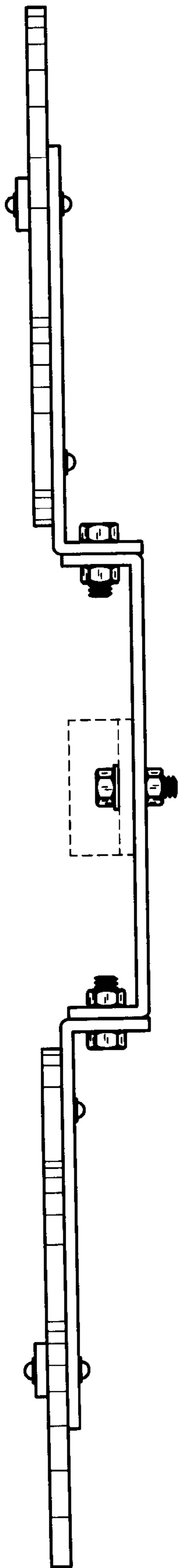


Fig. 3

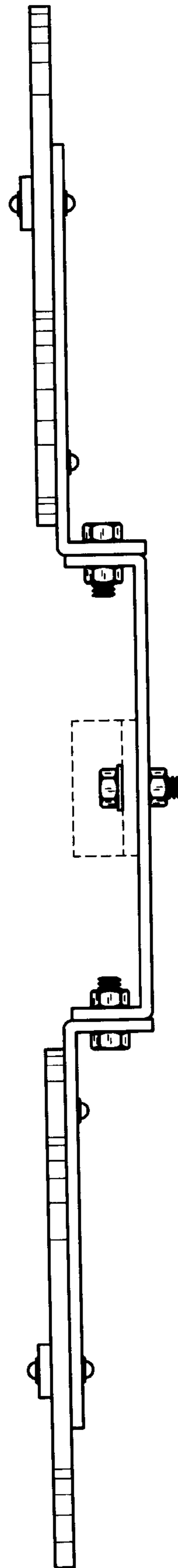


Fig. 4

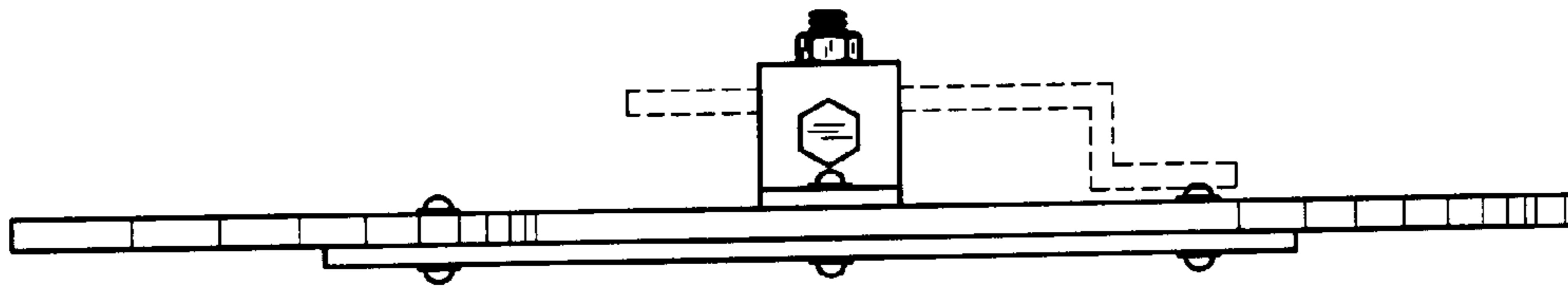


Fig. 6

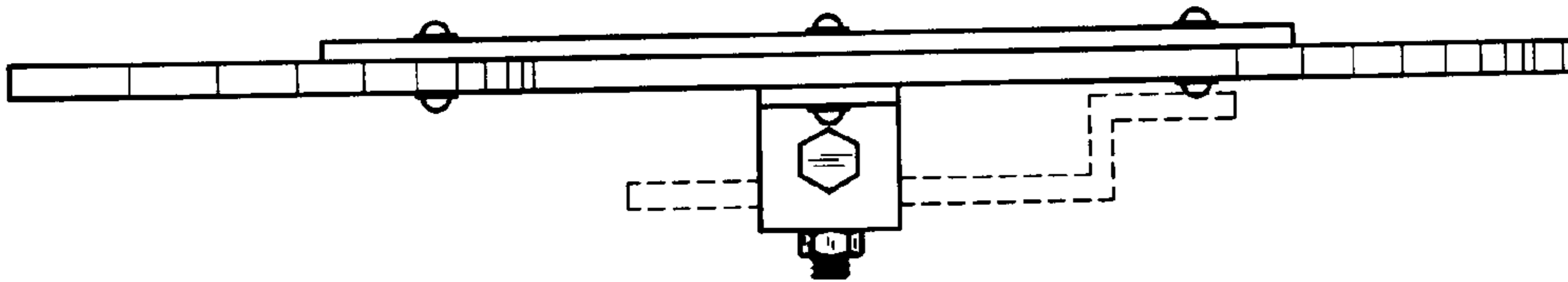


Fig. 5

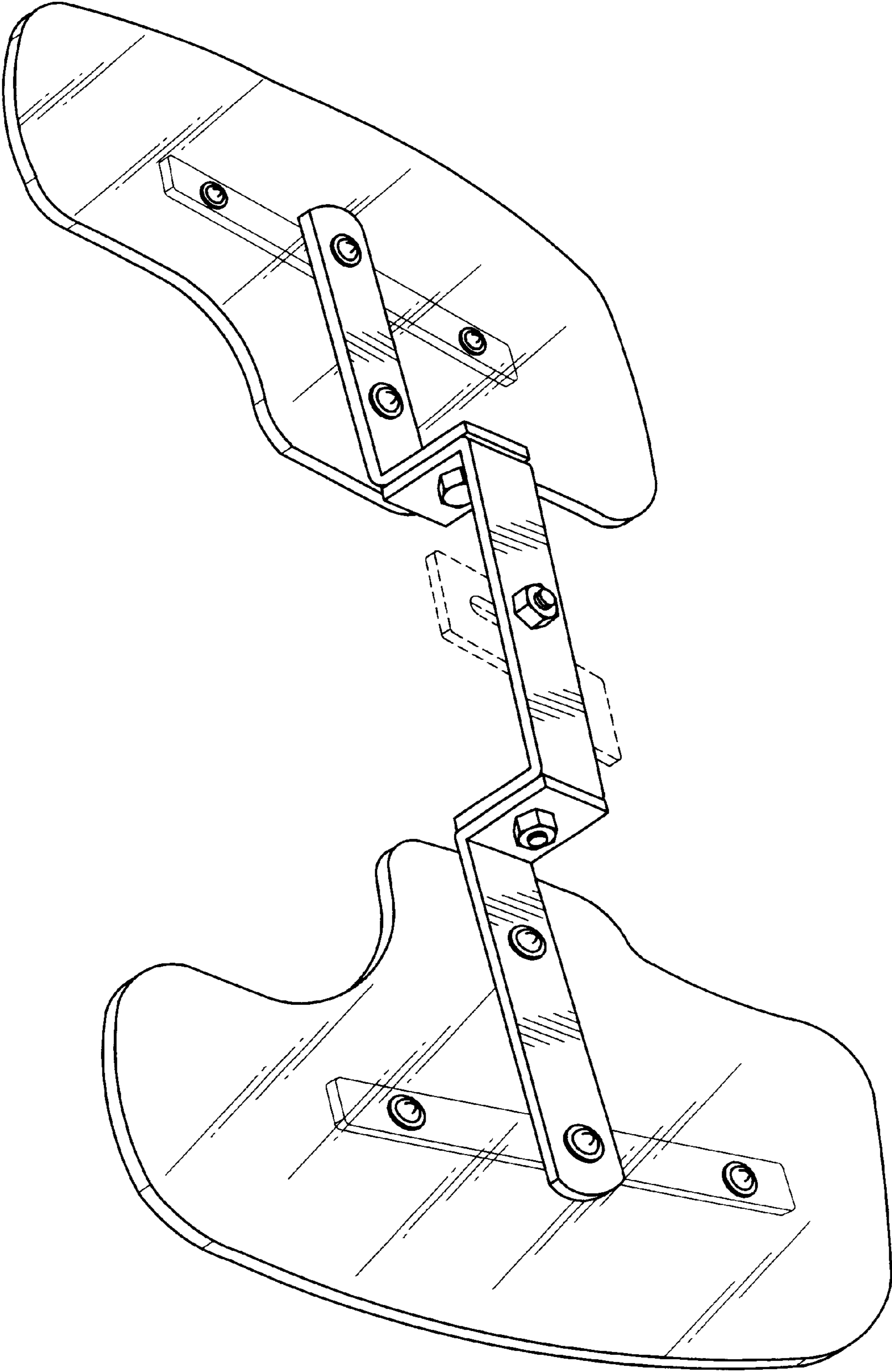


Fig. 7