

US00D522422S

(12) **United States Design Patent** (10) **Patent No.:** **US D522,422 S**
Campbell et al. (45) **Date of Patent:** **** Jun. 6, 2006**

(54) **MASTER CYLINDER**

FOREIGN PATENT DOCUMENTS

(75) Inventors: **Darren J. Campbell**, Menomonee Falls, WI (US); **Christopher S. Jones**, St. Francis, WI (US)

| | | |
|----|---------------|---------|
| DE | 85 27 989 | 11/1985 |
| DE | 197 18 612 A1 | 11/1998 |
| DE | 200 15 042 | 11/2000 |
| DE | 200 18 705 U1 | 12/2000 |
| EP | 0 430 835 | 6/1991 |
| GB | 2321682 | 8/1998 |
| WO | WO 02/44009 | 6/2002 |

(73) Assignee: **Hayes Disc Brake, LLC**, Mequon, WI (US)

(**) Term: **14 Years**

OTHER PUBLICATIONS

(21) Appl. No.: **29/224,995**

Excel sports Golden Anniversary Issue, © 2000, Avid levers at top right of p. 21.*

(22) Filed: **Mar. 8, 2005**

Formula Evoluzione 9.5 Operating Manual, 2003, English Version, Autor: Formula, an Italian Corporation.

Related U.S. Application Data

WEBSITE <http://www.formula-brake.it/htm/oro.asp>.

(63) Continuation of application No. 11/074,014, filed on Mar. 7, 2005.

WEBSITE <http://www.apracing.com/motorcycle/cylinder/index.htm>.

(51) **LOC (8) Cl.** **12-16**

Primary Examiner—Alan P. Douglas

(52) **U.S. Cl.** **D12/180**

Assistant Examiner—Linda Brooks

(58) **Field of Classification Search** D12/110,
D12/111, 114, 179, 180; 74/551.9, 551.8,
74/502.2, 525; 188/24.11, 344; 60/594, 533,
60/584, 585, 588

(74) *Attorney, Agent, or Firm*—Whyte Hirschboeck Dudek, S.C.

See application file for complete search history.

(57) **CLAIM**

The ornamental design for a master cylinder, as shown and described.

(56) **References Cited**

DESCRIPTION

U.S. PATENT DOCUMENTS

| | | | |
|--------------|---------|-----------------|----------|
| 3,802,200 A | 4/1974 | Kolm | 60/594 |
| 4,626,045 A | 12/1986 | Takei et al. | 303/119 |
| 4,635,442 A | 1/1987 | Bass | 60/594 |
| 4,779,482 A | 10/1988 | Kawaguchi | 74/523 |
| 4,878,346 A | 11/1989 | Metzfeld et al. | 60/588 |
| 5,050,381 A | 9/1991 | Matsuno et al. | 60/584 |
| 5,448,927 A | 9/1995 | Lumpkin | 74/502.2 |
| 5,515,743 A | 5/1996 | Lumpkin | 74/502.2 |
| 5,632,362 A | 5/1997 | Leitner | 188/344 |
| 5,636,518 A | 6/1997 | Burgoyne et al. | 60/594 |
| 6,003,639 A | 12/1999 | Buckley et al. | 188/26 |
| 6,085,523 A | 7/2000 | Buckley et al. | 60/585 |
| 6,161,448 A | 12/2000 | Wang et al. | 74/502.2 |
| 6,336,327 B1 | 1/2002 | Noro et al. | 60/533 |
| 6,370,877 B1 | 4/2002 | Lin | 60/588 |

FIG. 1 is a perspective view of a master cylinder in accordance with the present invention;

FIG. 2 is a side view thereof, the opposite side view being a mirror image thereof;

FIG. 3 is a top view thereof;

FIG. 4 is a front view thereof;

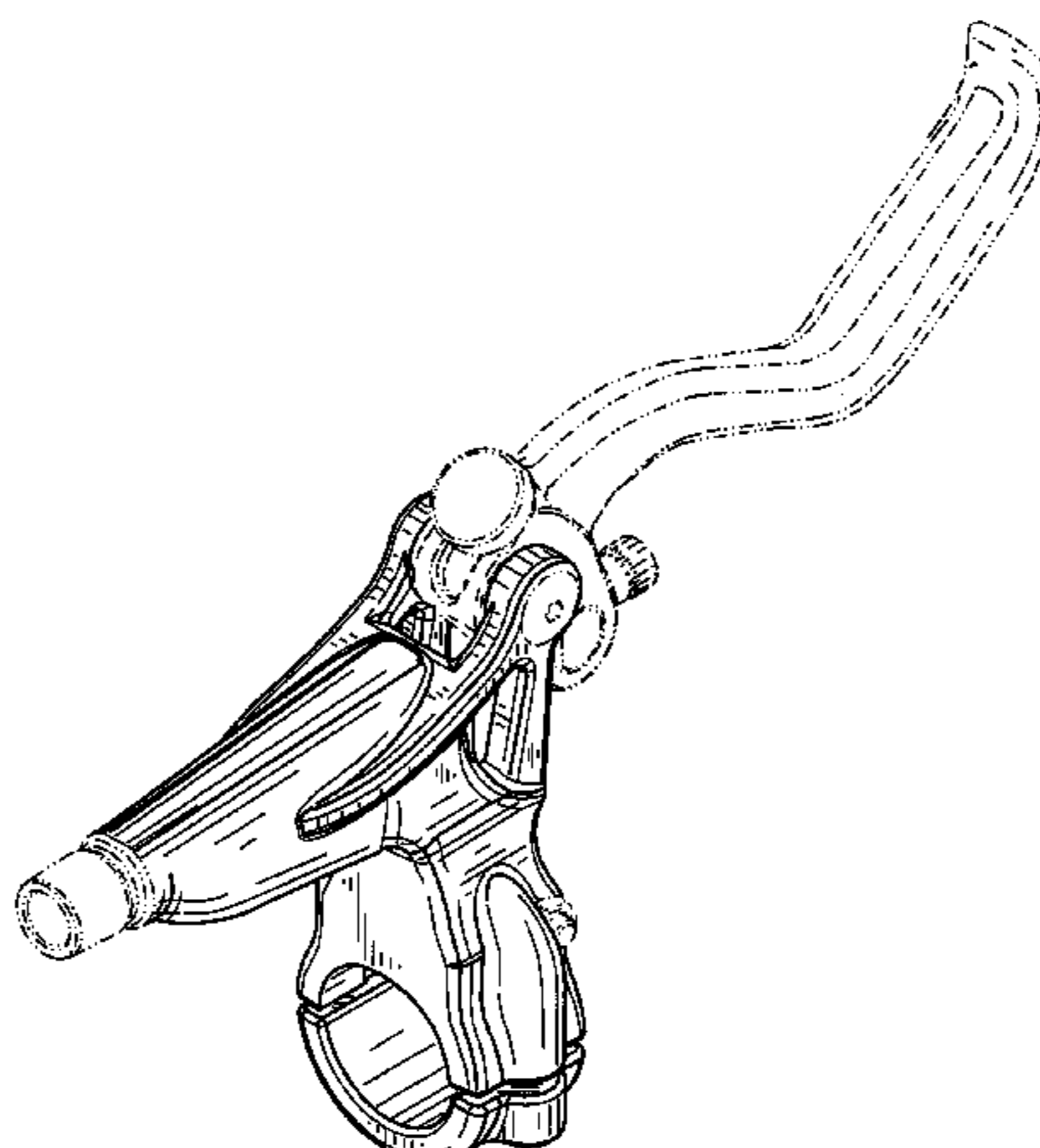
FIG. 5 is a rear view thereof; and,

FIG. 6 is a bottom view thereof.

The broken lines and surface shading shown in all figures are for illustrative environmental purposes only and form no part of the claimed design. The broken lines immediately adjacent the shaded areas represent the boundaries of the claimed design and form no part of the claimed design.

(Continued)

1 Claim, 3 Drawing Sheets



US D522,422 S

Page 2

| U.S. PATENT DOCUMENTS | | | |
|-----------------------|------|---------|-------------------------------|
| 6,457,378 | B1 | 10/2002 | Hatakoshi et al. 74/525 |
| 6,491,137 | B1 | 12/2002 | Lumpkin et al. 188/24.15 |
| 6,804,961 | B1 * | 10/2004 | Lumpkin 60/588 |
| 2003/0101722 | A1 | 6/2003 | Barnett 60/533 |
| 2003/0106754 | A1 | 6/2003 | Buckley et al. 188/359 |
| 2003/0121262 | A1 | 7/2003 | Lumpkin 60/594 |
| 2003/0121736 | A1 | 7/2003 | Lumpkin 188/151 |
| 2003/0121739 | A1 | 7/2003 | Lumpkin 188/344 |
| 2005/0056110 | A1 | 3/2005 | Laghi et al. 74/489 |
| 2005/0056508 | A1 | 3/2005 | Laghi 188/344 |
| 2005/0115238 | A1 | 6/2005 | Becocci et al. 60/584 |

* cited by examiner

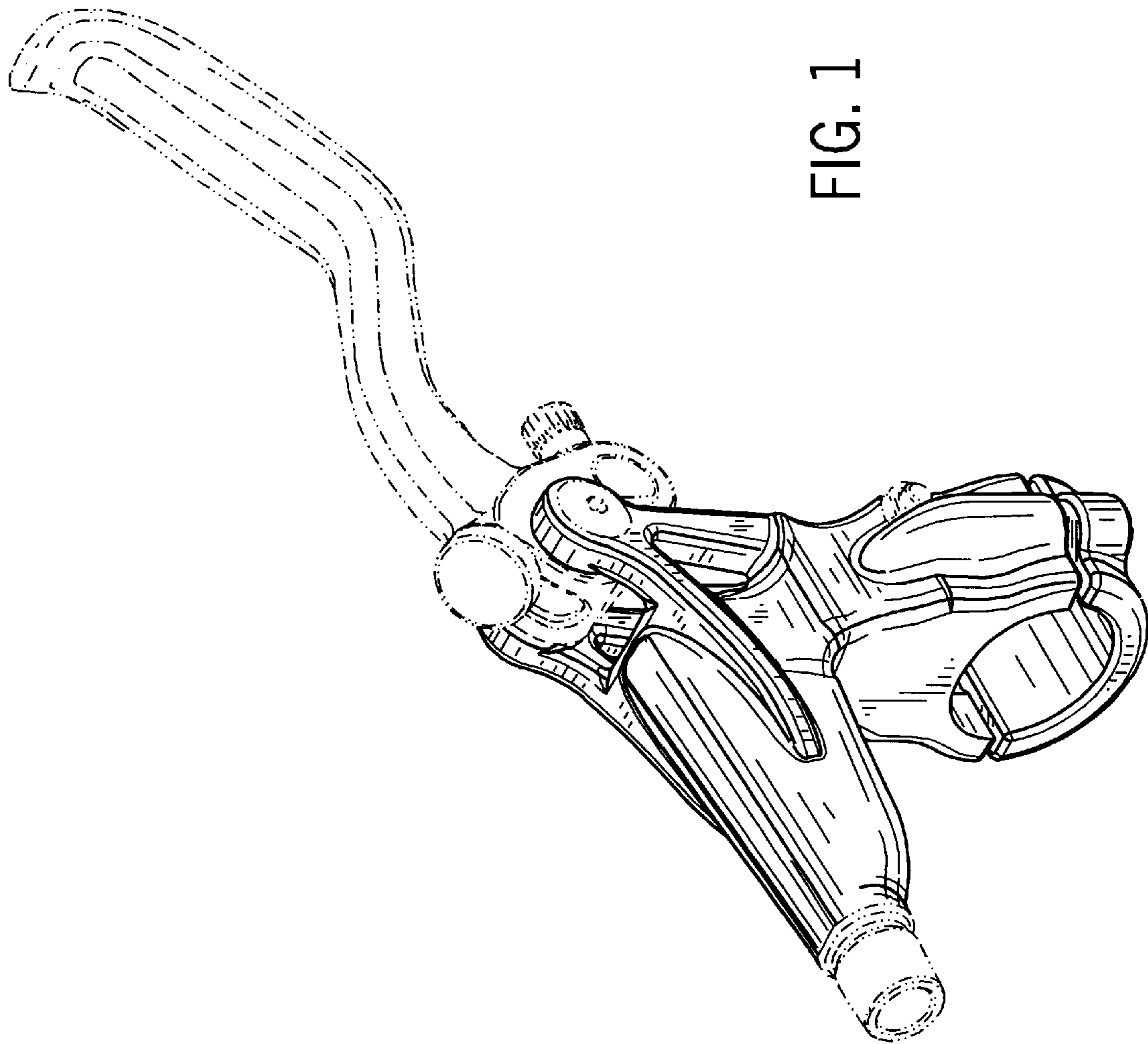


FIG. 1

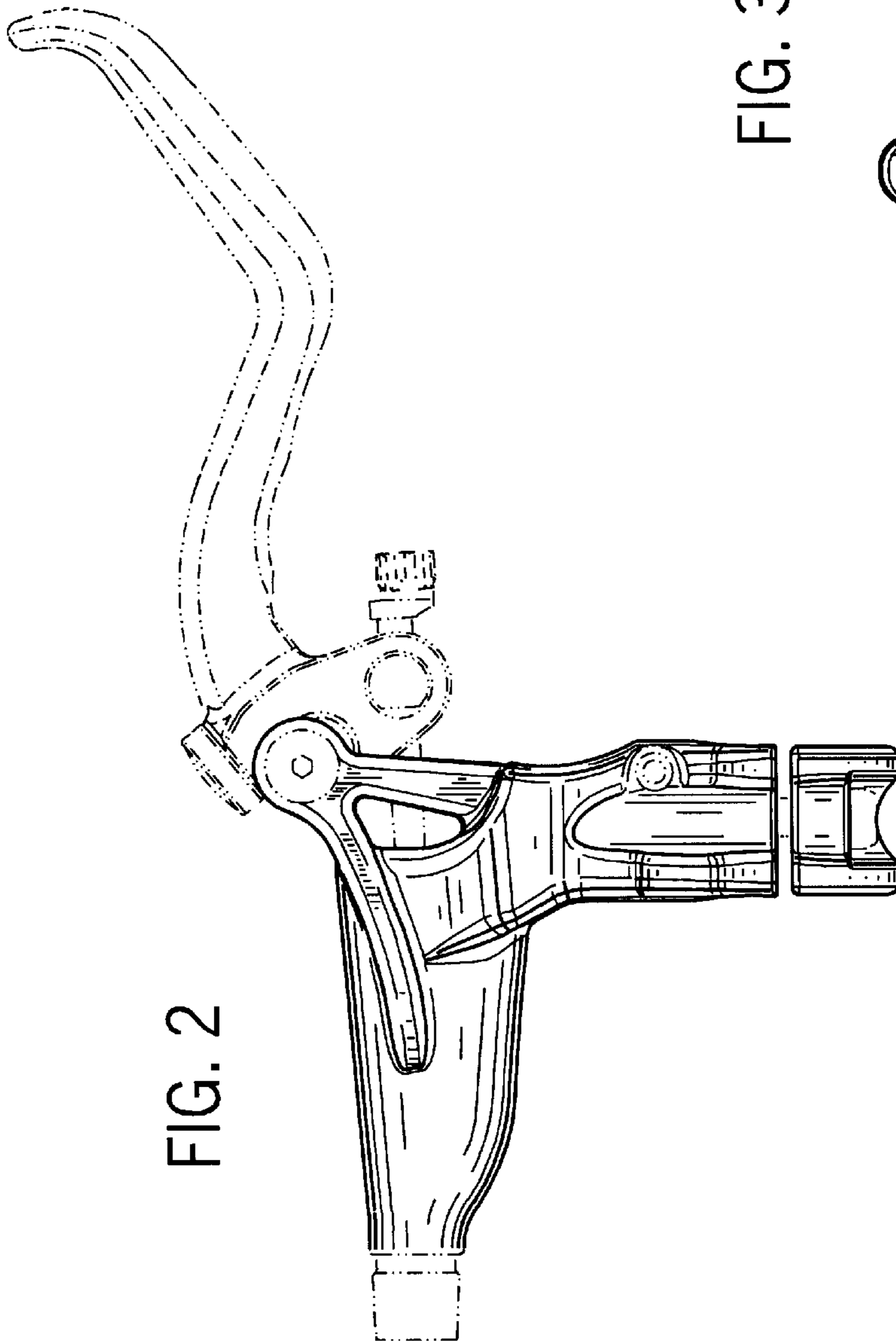


FIG. 2

FIG. 3

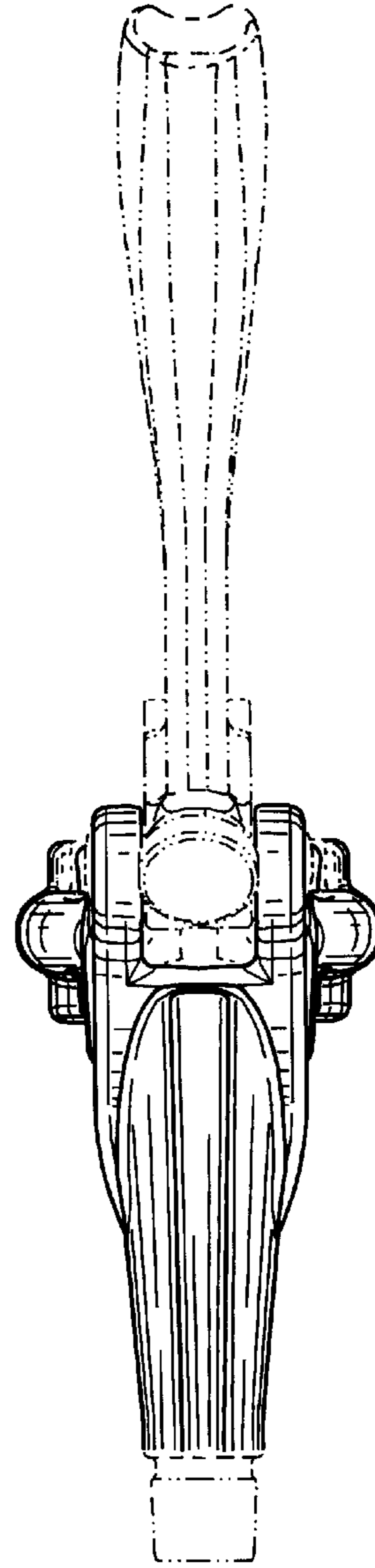


FIG. 5

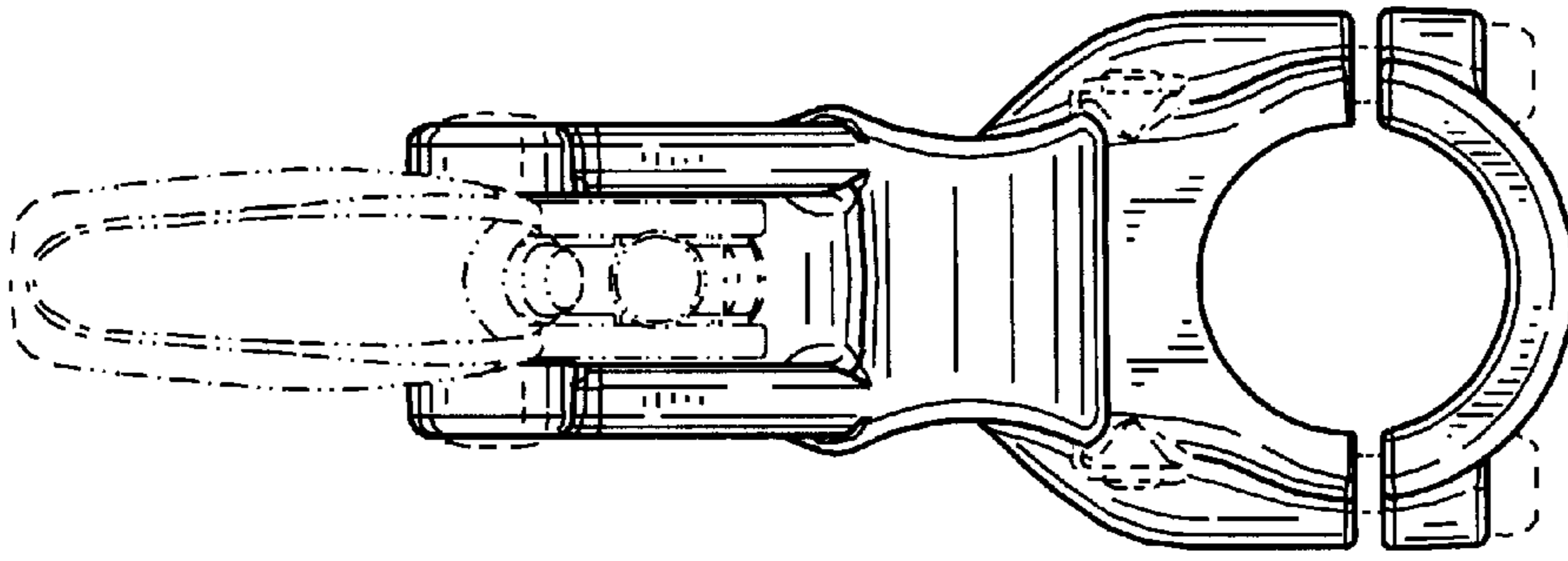


FIG. 4

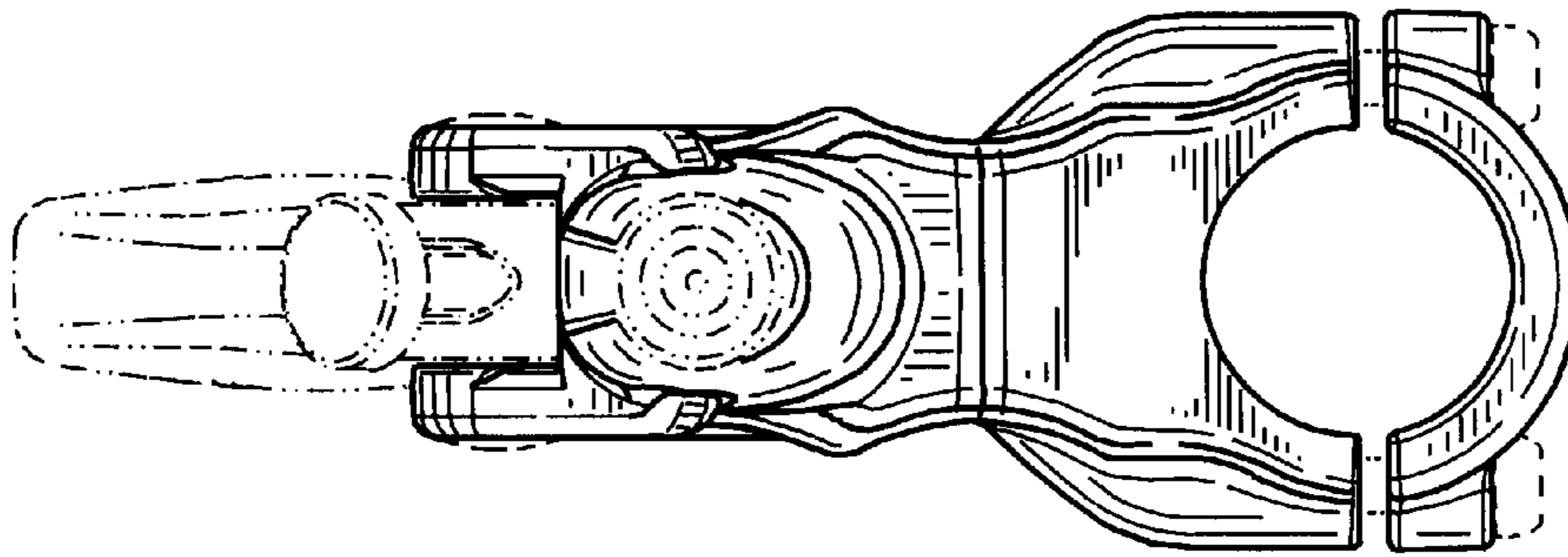


FIG. 6

