

US00D522420S

(12) **United States Design Patent**  
**Crippa et al.**

(10) **Patent No.:** **US D522,420 S**

(45) **Date of Patent:** **\*\* Jun. 6, 2006**

(54) **CALIPER FOR DISK BRAKES**

(75) Inventors: **Cristian Crippa**, Almenno San  
Bartolomeo (IT); **Mirko Castellana**,  
Bergamo (IT)

(73) Assignee: **Freni Brembo S.p.A.**, Curno (IT)

(\*\*) Term: **14 Years**

(21) Appl. No.: **29/217,901**

(22) Filed: **Nov. 24, 2004**

(30) **Foreign Application Priority Data**

May 24, 2004 (IT) ..... BS2004O0031

(51) **LOC (8) Cl.** ..... **12-16**

(52) **U.S. Cl.** ..... **D12/180**

(58) **Field of Classification Search** ..... D12/180;  
188/73.3, 73.31-73.39, 73.43, 73.45, 218 XL,  
188/1.11 W; 192/70.17, 70.2  
See application file for complete search history.

(56) **References Cited**

**U.S. PATENT DOCUMENTS**

D351,365 S \* 10/1994 Powers ..... D12/180  
D354,469 S \* 1/1995 Powers ..... D12/180  
5,499,696 A \* 3/1996 Kobayashi et al. .... 188/1.11 W

D373,340 S \* 9/1996 Sands ..... D12/180  
D417,178 S \* 11/1999 Gallagher ..... D12/180  
D425,465 S \* 5/2000 Pink et al. .... D12/180  
D426,180 S \* 6/2000 Pink et al. .... D12/180  
6,247,561 B1 \* 6/2001 Doi et al. .... 188/73.39  
D458,199 S \* 6/2002 Demoise et al. .... D12/180  
D491,500 S \* 6/2004 Fujiwara et al. .... D12/180  
D506,714 S \* 6/2005 Ono ..... D12/180

\* cited by examiner

*Primary Examiner*—Melody N. Brown

(74) *Attorney, Agent, or Firm*—Shoemaker and Mattare

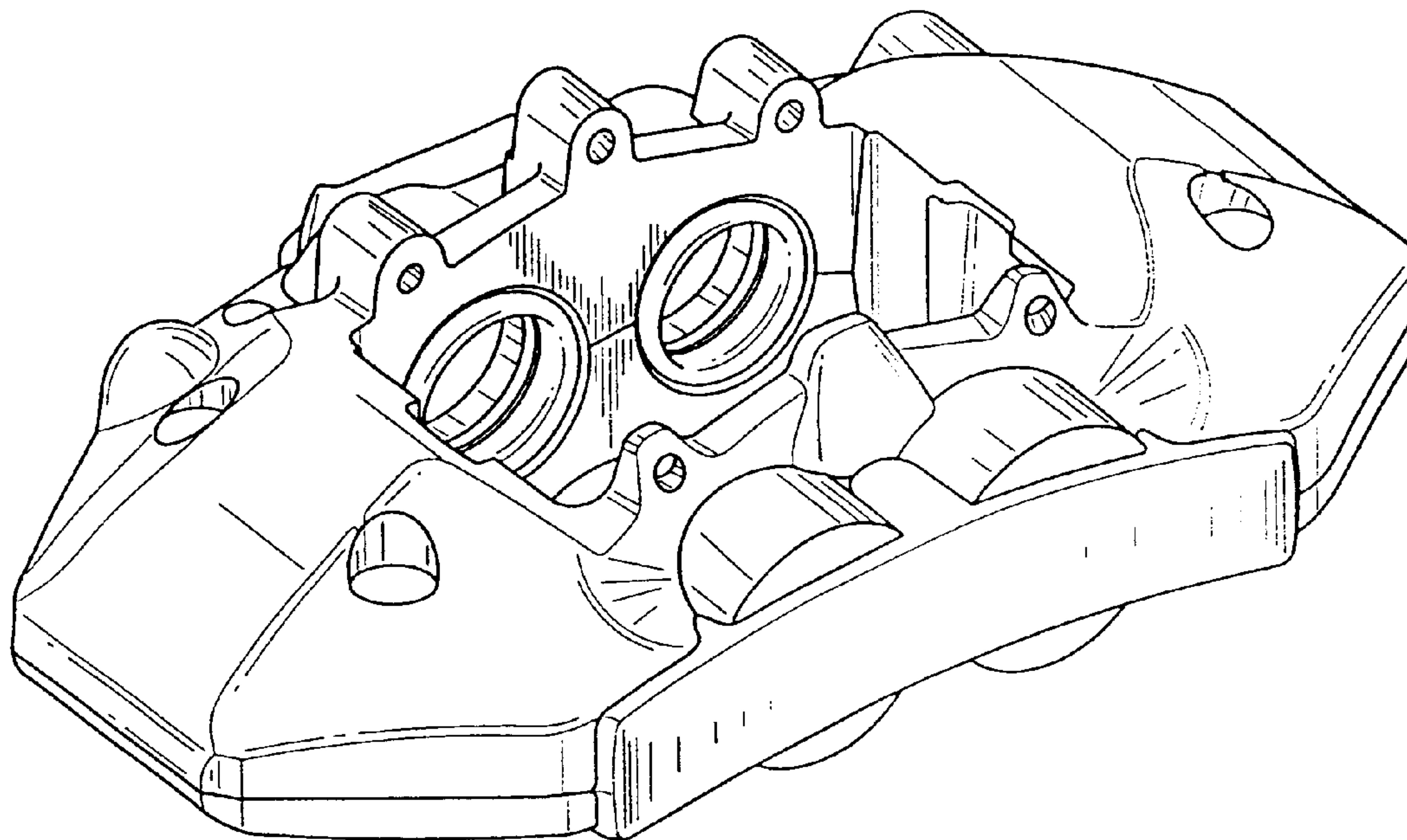
(57) **CLAIM**

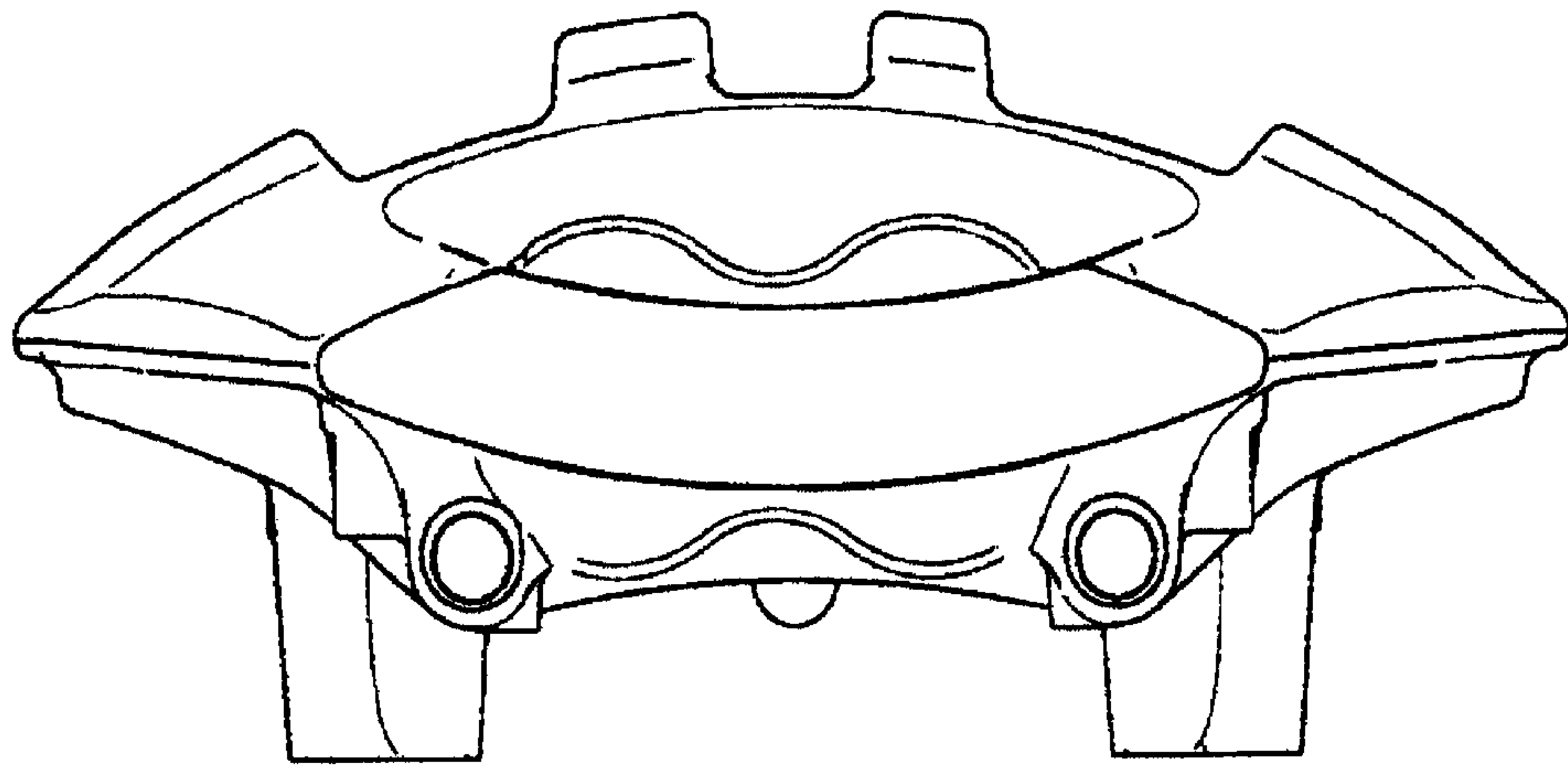
The ornamental design for a caliper for disk brakes, as shown and described.

**DESCRIPTION**

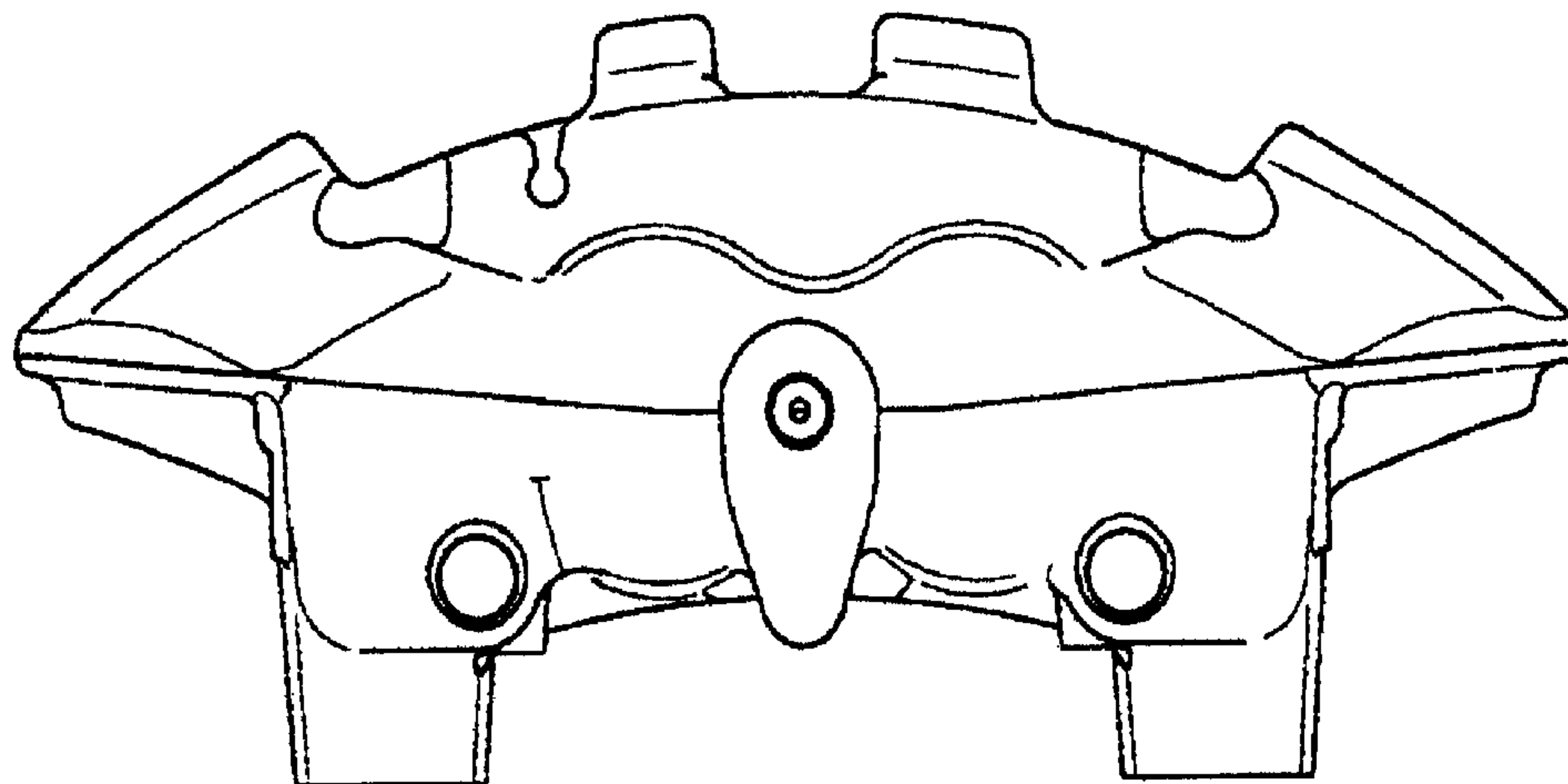
FIG. 1 is a front elevational view of a caliper for disk brakes, showing our new design;  
FIG. 2 is a rear elevational view thereof;  
FIG. 3 is a left elevational view thereof;  
FIG. 4 is a right elevational view thereof;  
FIG. 5 is a top plan view thereof;  
FIG. 6 is a bottom view thereof; and,  
FIG. 7 is a front perspective view thereof.

**1 Claim, 4 Drawing Sheets**

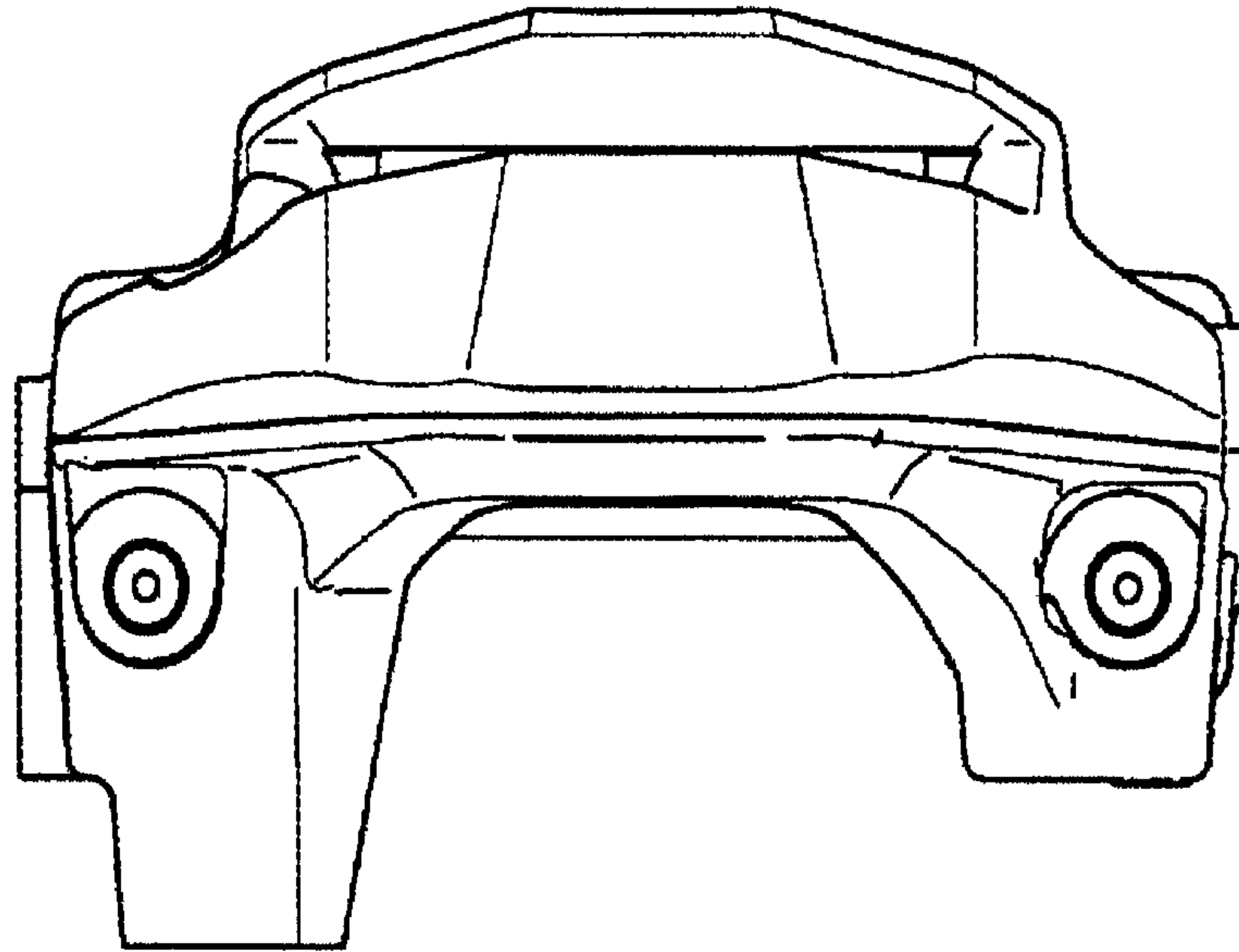




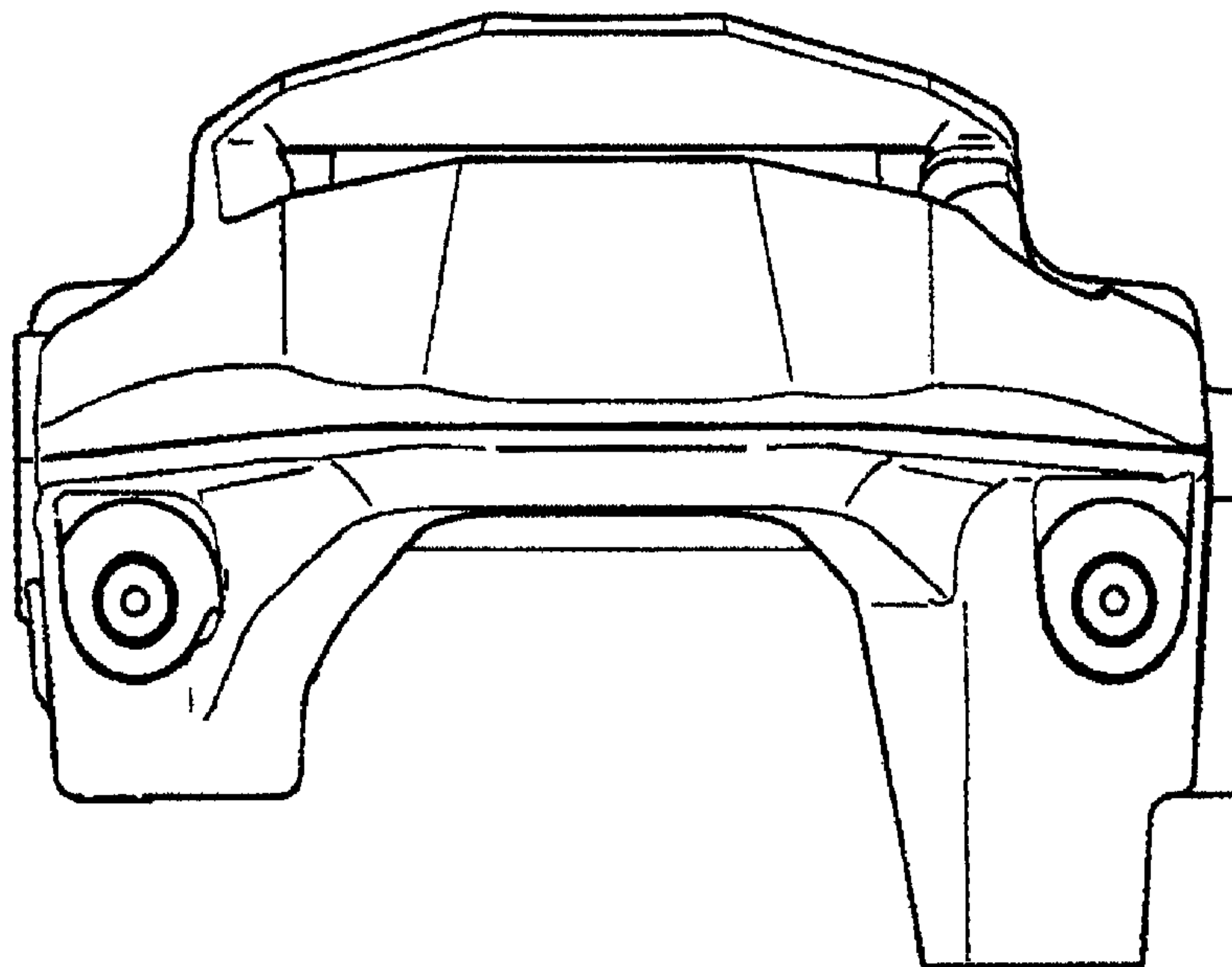
*Fig. 1*



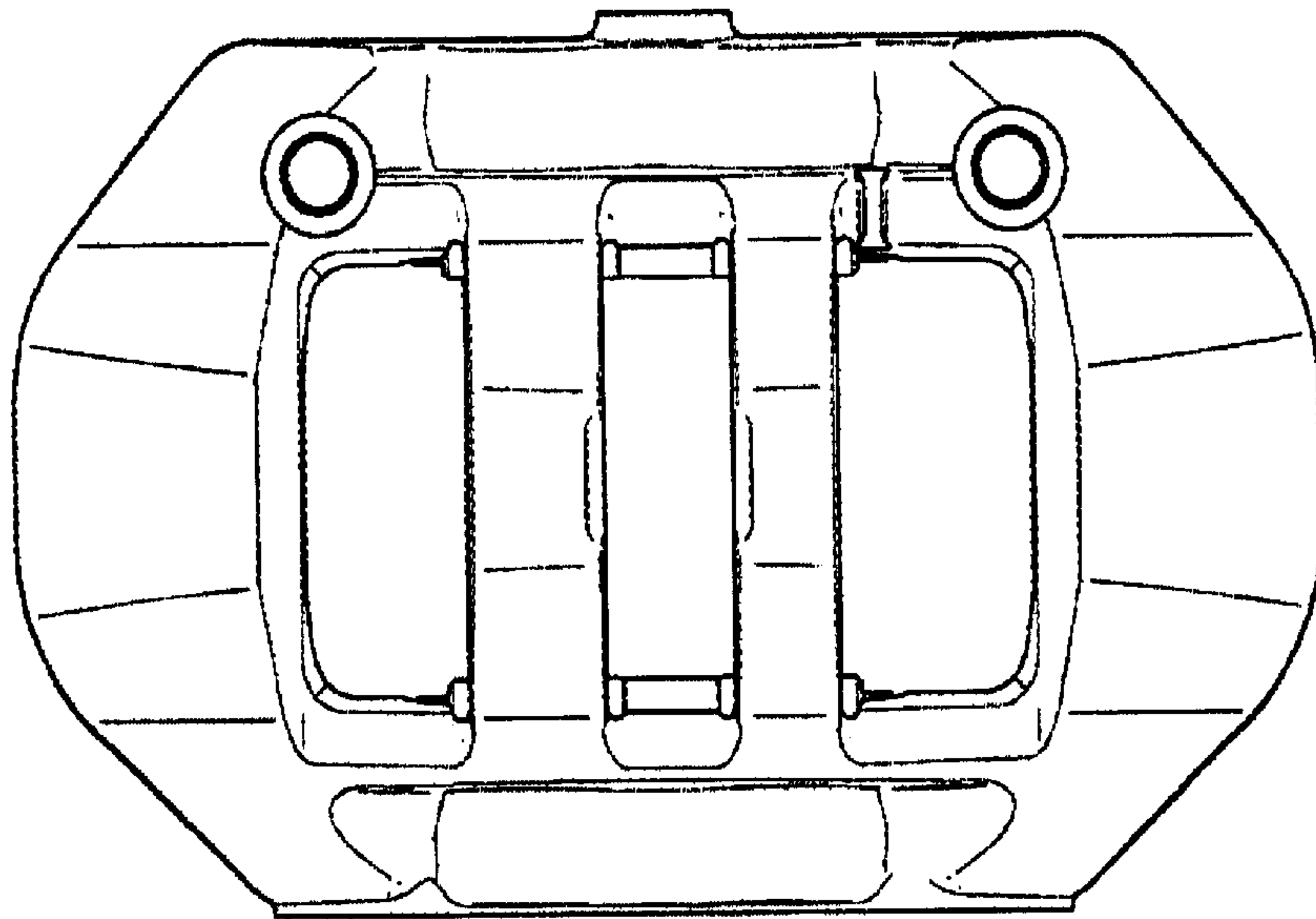
*Fig. 2*



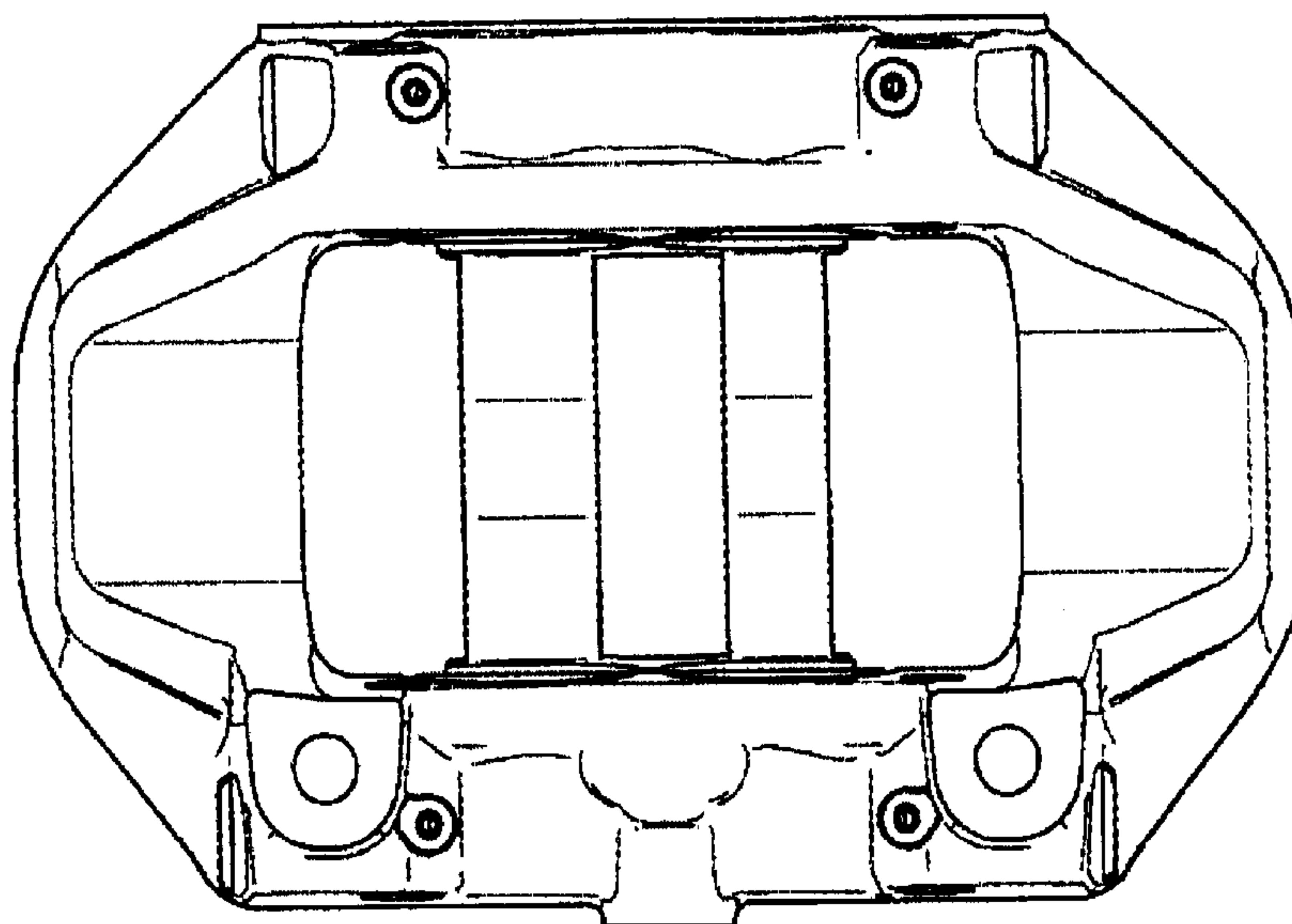
*Fig. 3*



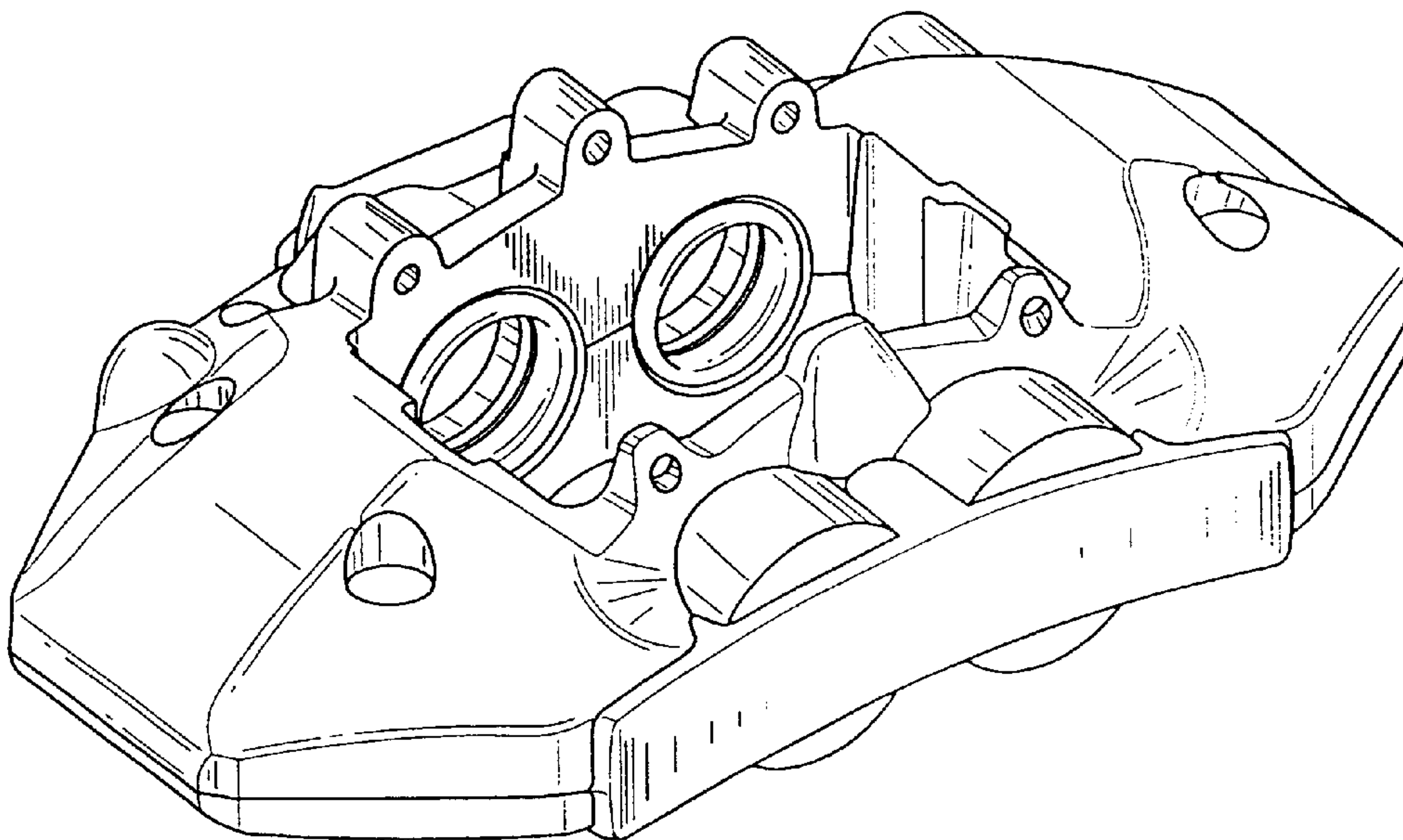
*Fig. 4*



*Fig. 5*



*Fig. 6*



*Fig. 7*