

US00D522419S

(12) **United States Design Patent**
Minami

(10) **Patent No.:** **US D522,419 S**
(45) **Date of Patent:** **** Jun. 6, 2006**

- (54) **HOOD FOR AN AUTOMOBILE**
- (75) Inventor: **Toshinobu Minami**, Saitama (JP)
- (73) Assignee: **Honda Motor Co., Ltd.**, Tokyo (JP)
- (**) Term: **14 Years**
- (21) Appl. No.: **29/213,762**
- (22) Filed: **Sep. 23, 2004**
- (30) **Foreign Application Priority Data**
Mar. 31, 2004 (JP) 2004-009803
- (51) **LOC (8) Cl.** **12-16**
- (52) **U.S. Cl.** **D12/173**
- (58) **Field of Classification Search** D12/90-92,
D12/173, 196, 86; 180/69.21, 69.2, 69.22
See application file for complete search history.

JP 1110939 6/2001
JP 1184898 9/2003

OTHER PUBLICATIONS

Notification of Refusal Reasons—Design of Bonnet for an automobile shown at p. 198 of “DIME” of Jan. 1, 2003, vol. 1 (Prior Material No. HA14025517 at the Design Department of the Japan Patent Office), which was received by the General Information Center on Jan. 6, 2003.

* cited by examiner

Primary Examiner—Melody N. Brown
(74) *Attorney, Agent, or Firm*—Westerman, Hattori, Daniels & Adrian, LLP.

(56) **References Cited**

U.S. PATENT DOCUMENTS

- D387,315 S * 12/1997 Lagaay et al. D12/173
- D391,540 S * 3/1998 Horbury D12/173
- D496,611 S * 9/2004 Kneefel et al. D12/173
- D510,551 S * 10/2005 Mays et al. D12/173

FOREIGN PATENT DOCUMENTS

JP 1101377 2/2001

(57) **CLAIM**

The ornamental design for a, hood for an automobile, as shown and described.

DESCRIPTION

FIG. 1 is a front elevation view of a hood for an automobile, showing our new design;
FIG. 2 is a top plan view thereof;
FIG. 3 is a right side elevation view thereof;
FIG. 4 is a left side elevation view thereof; and,
FIG. 5 is a perspective view thereof.

1 Claim, 5 Drawing Sheets

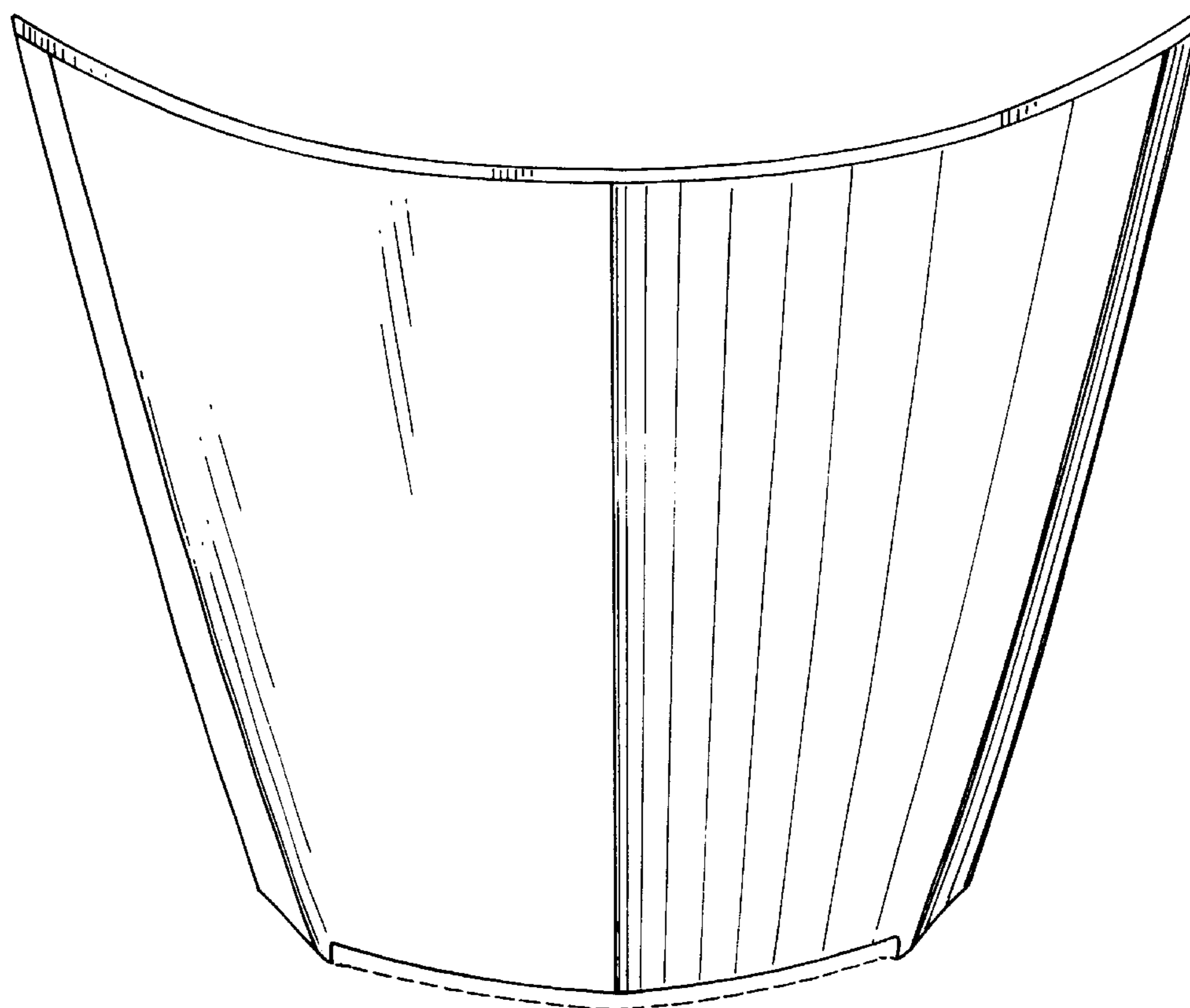


FIG. 1

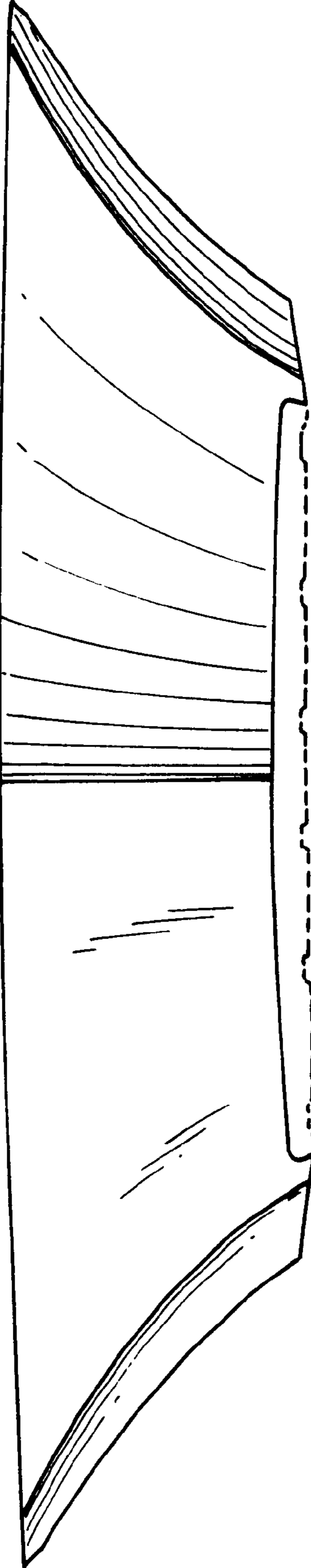


FIG. 2

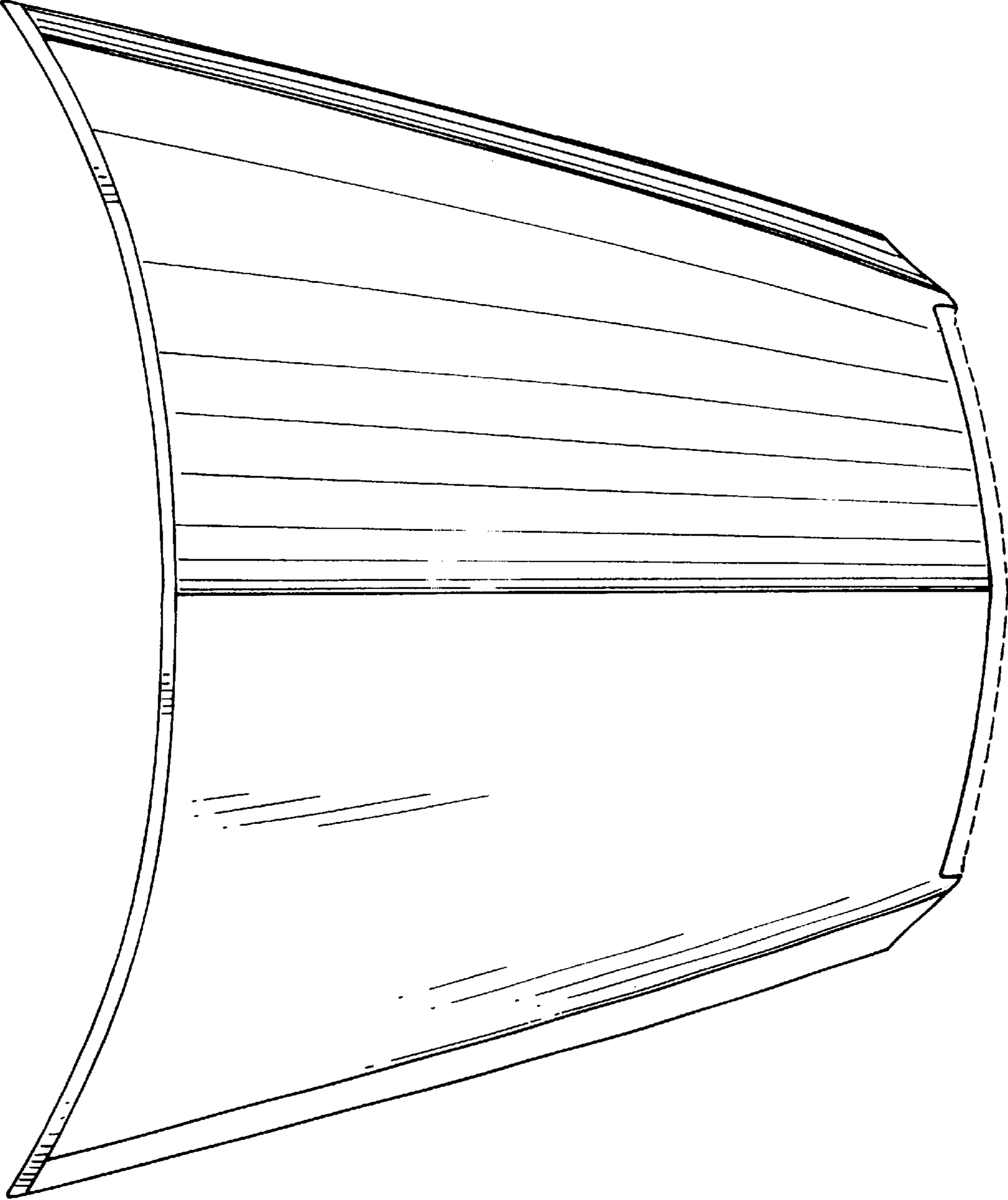


FIG. 3

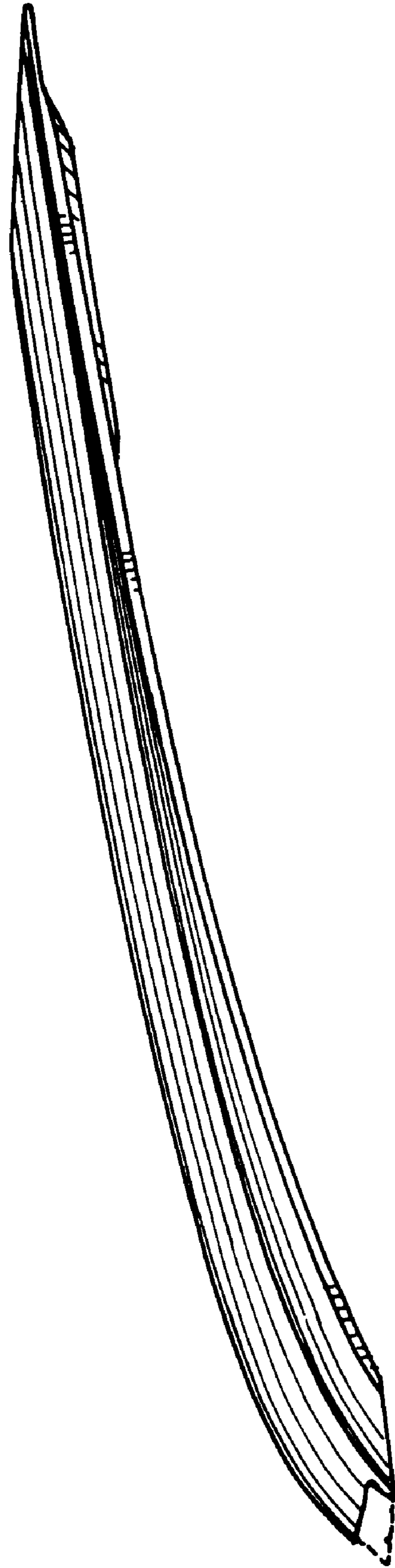


FIG. 4

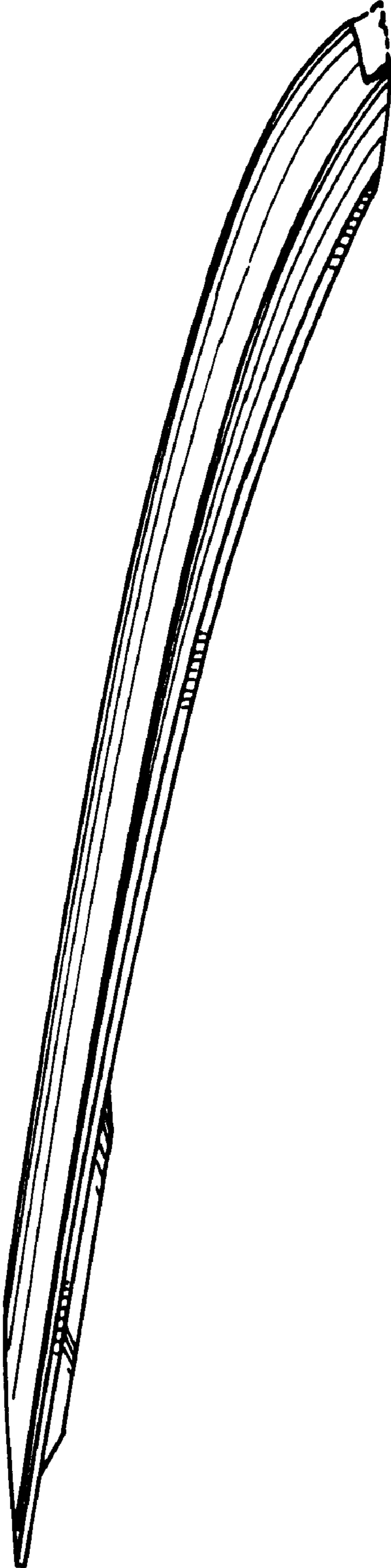


FIG. 5

