



US00D522414S

(12) **United States Design Patent**  
**Chen**

(10) **Patent No.:** **US D522,414 S**

(45) **Date of Patent:** **\*\* Jun. 6, 2006**

(54) **BICYCLE PEDAL**

(76) Inventor: **Chung-I Chen**, No. 2, Lane 986, Sec. 1, Chung-Shan Rd., Ta-Chia Chen, Taichung Hsien (TW)

(\*\*) Term: **14 Years**

(21) Appl. No.: **29/225,449**

(22) Filed: **Mar. 15, 2005**

(51) **LOC (8) Cl.** ..... **12-11**

(52) **U.S. Cl.** ..... **D12/125**

(58) **Field of Classification Search** ..... D12/111,  
D12/125; 74/594.1-594.7

See application file for complete search history.

(56) **References Cited**

**PUBLICATIONS**

Colorado Cyclist 2001, pedals on p. 61.\*

\* cited by examiner

*Primary Examiner*—Alan P. Douglas

*Assistant Examiner*—Linda Brooks

(74) *Attorney, Agent, or Firm*—Brooks Kushman P.C.

(57) **CLAIM**

The ornamental design for a bicycle pedal, as shown and described.

**DESCRIPTION**

FIG. 1 is a perspective view of a bicycle pedal showing my new design;

FIG. 2 is a front elevational view thereof;

FIG. 3 is a rear elevational view thereof;

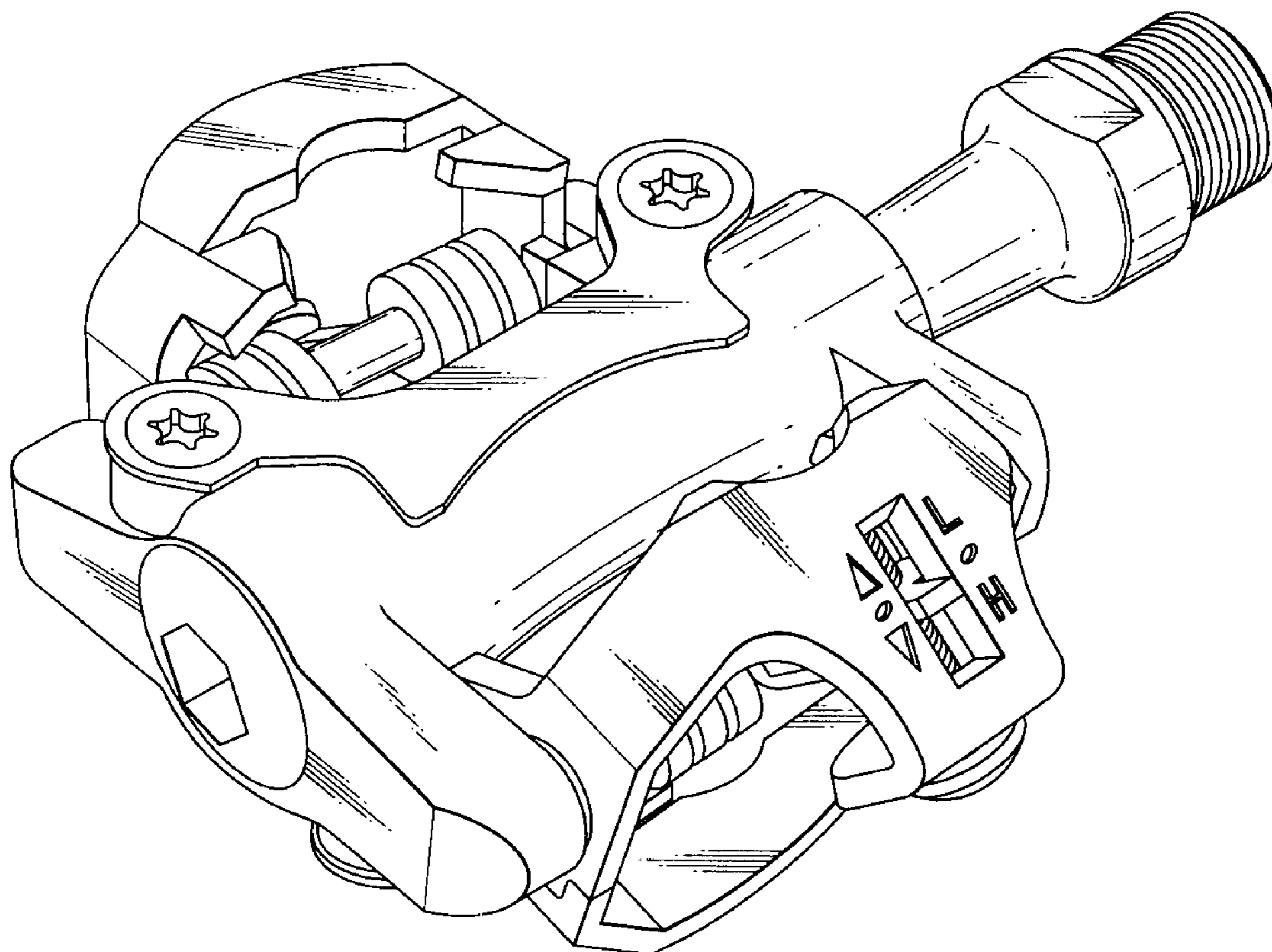
FIG. 4 is a left side elevational view thereof;

FIG. 5 is a right side elevational view thereof;

FIG. 6 is a top plan view thereof; and,

FIG. 7 is a bottom plan view thereof.

**1 Claim, 6 Drawing Sheets**



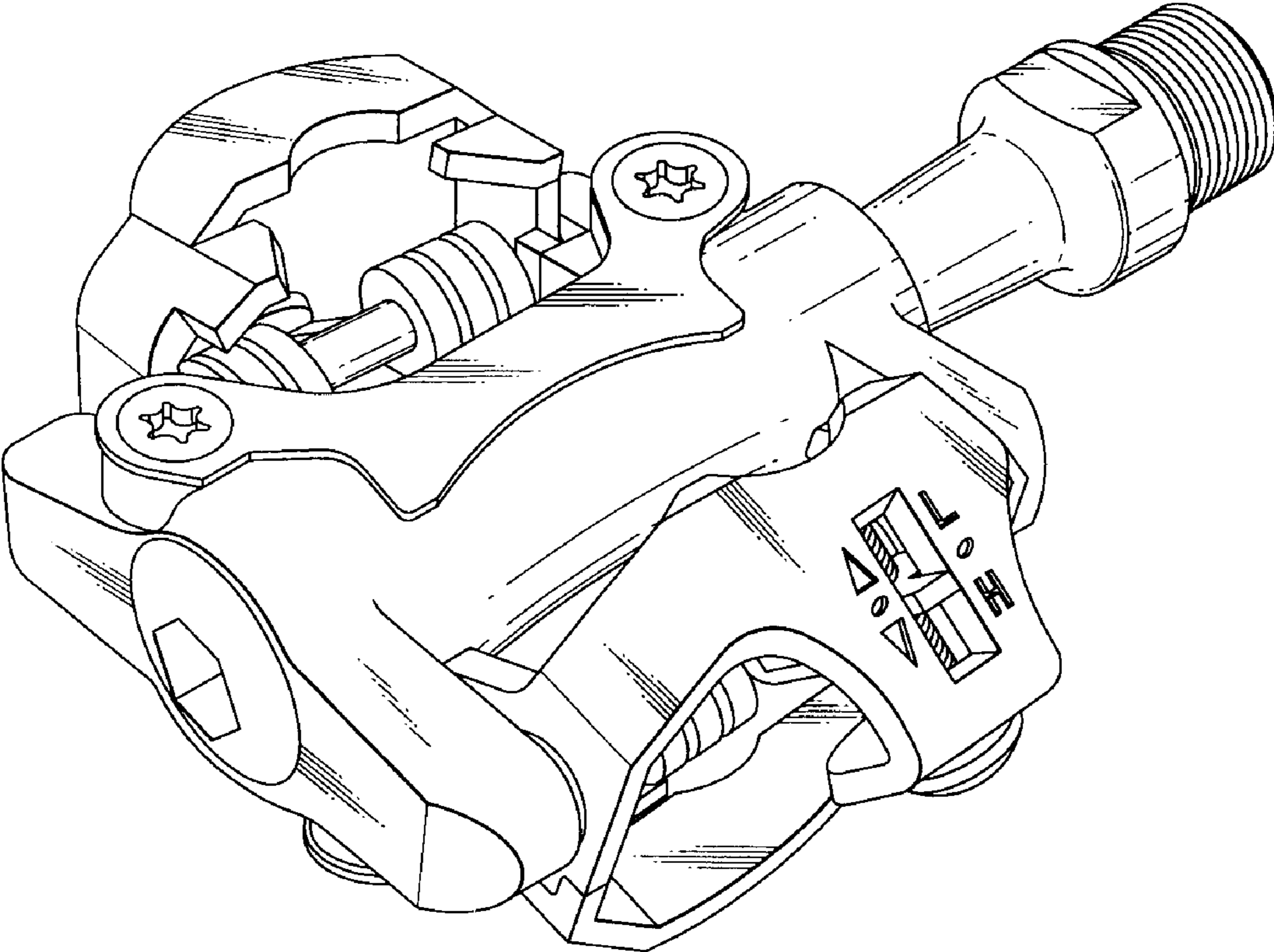


FIG. 1

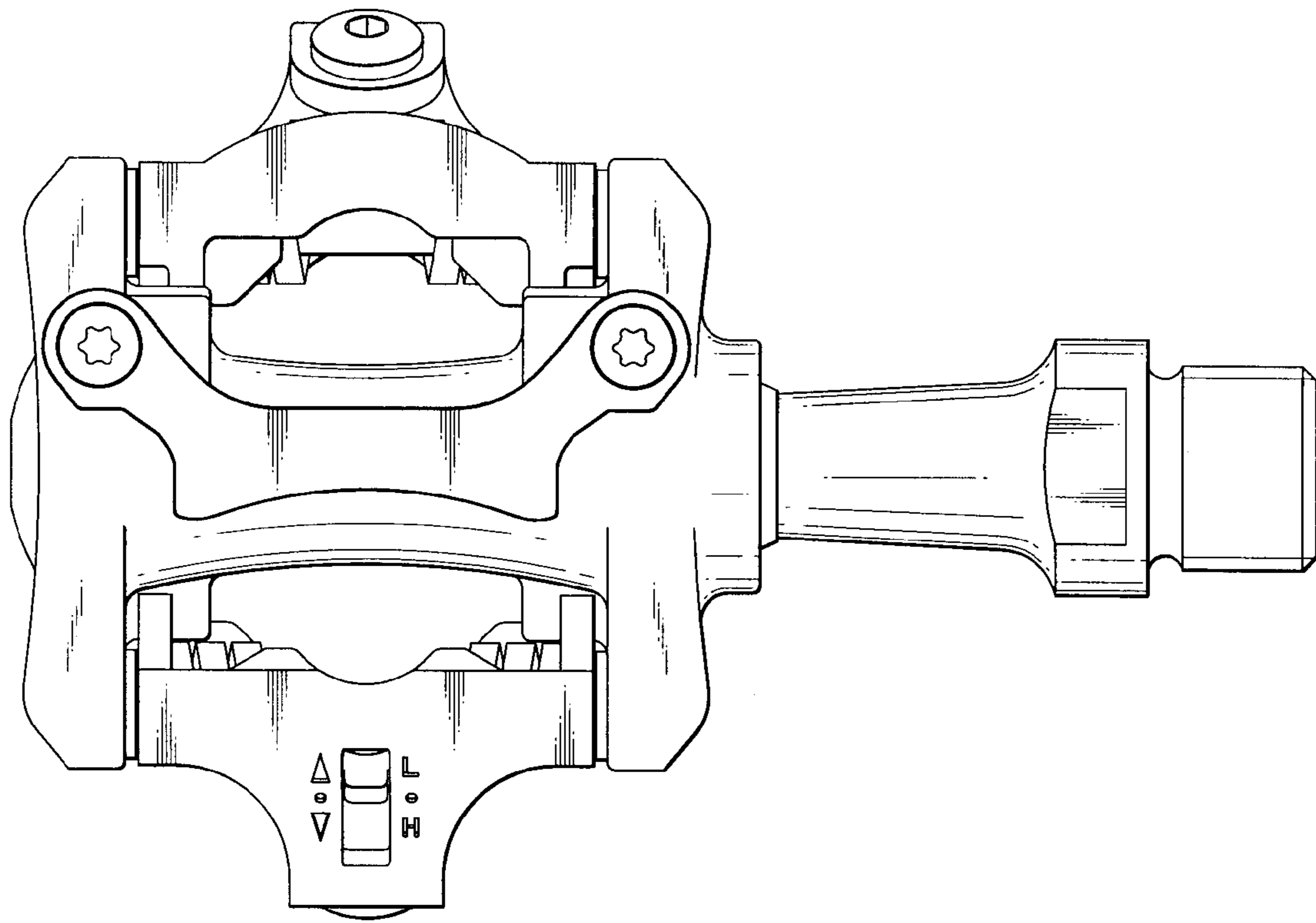


FIG. 2

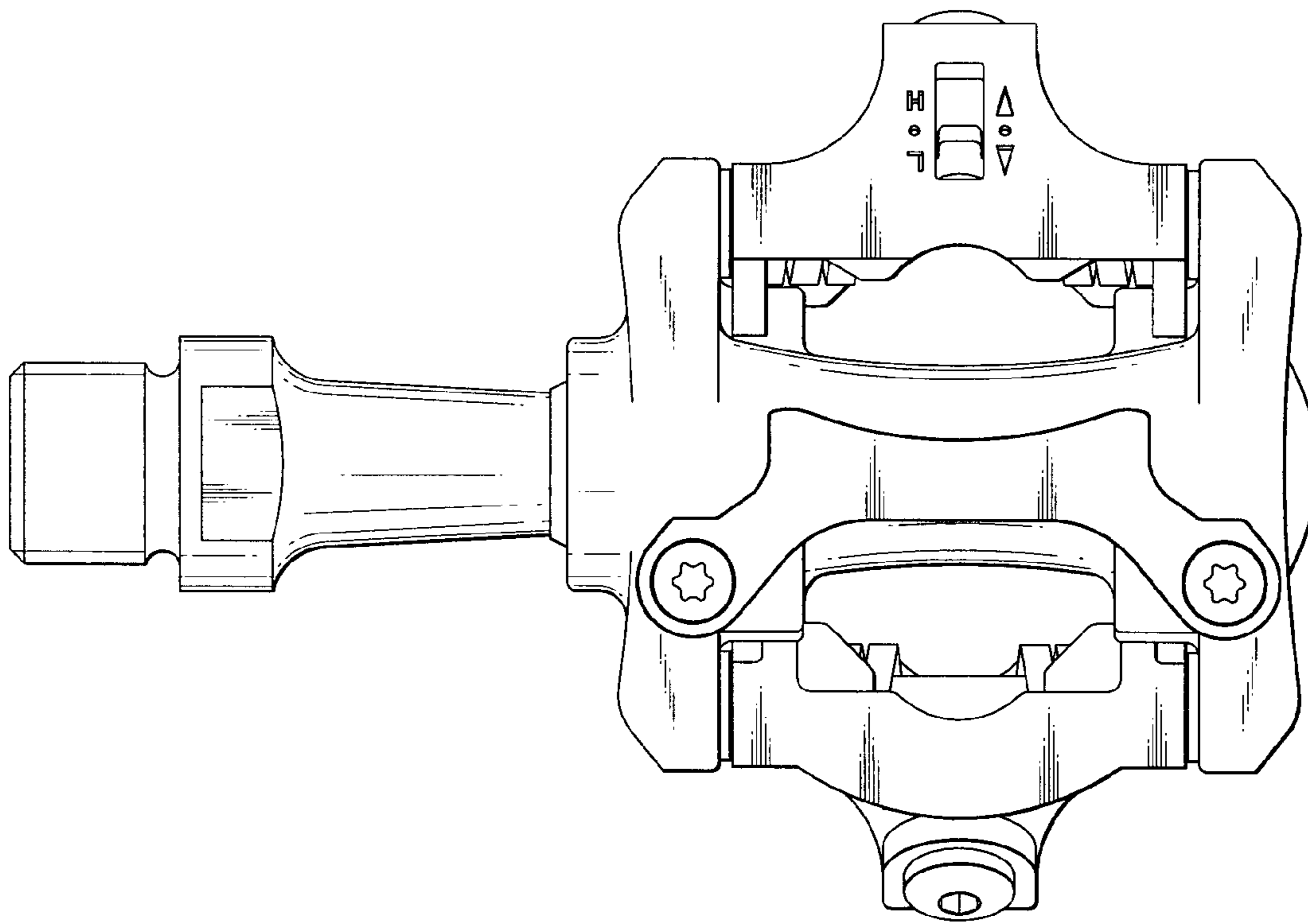


FIG. 3

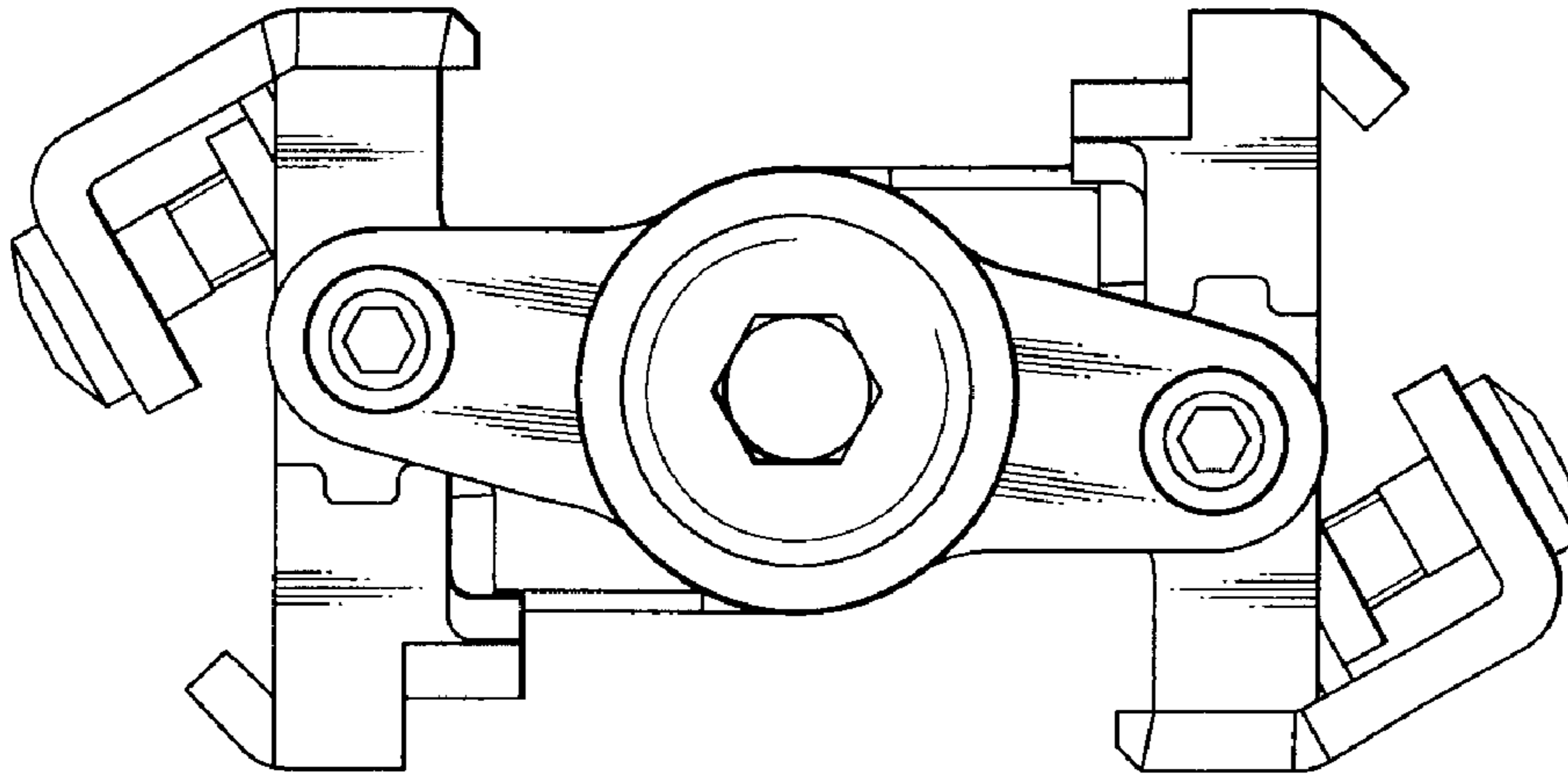


FIG. 5

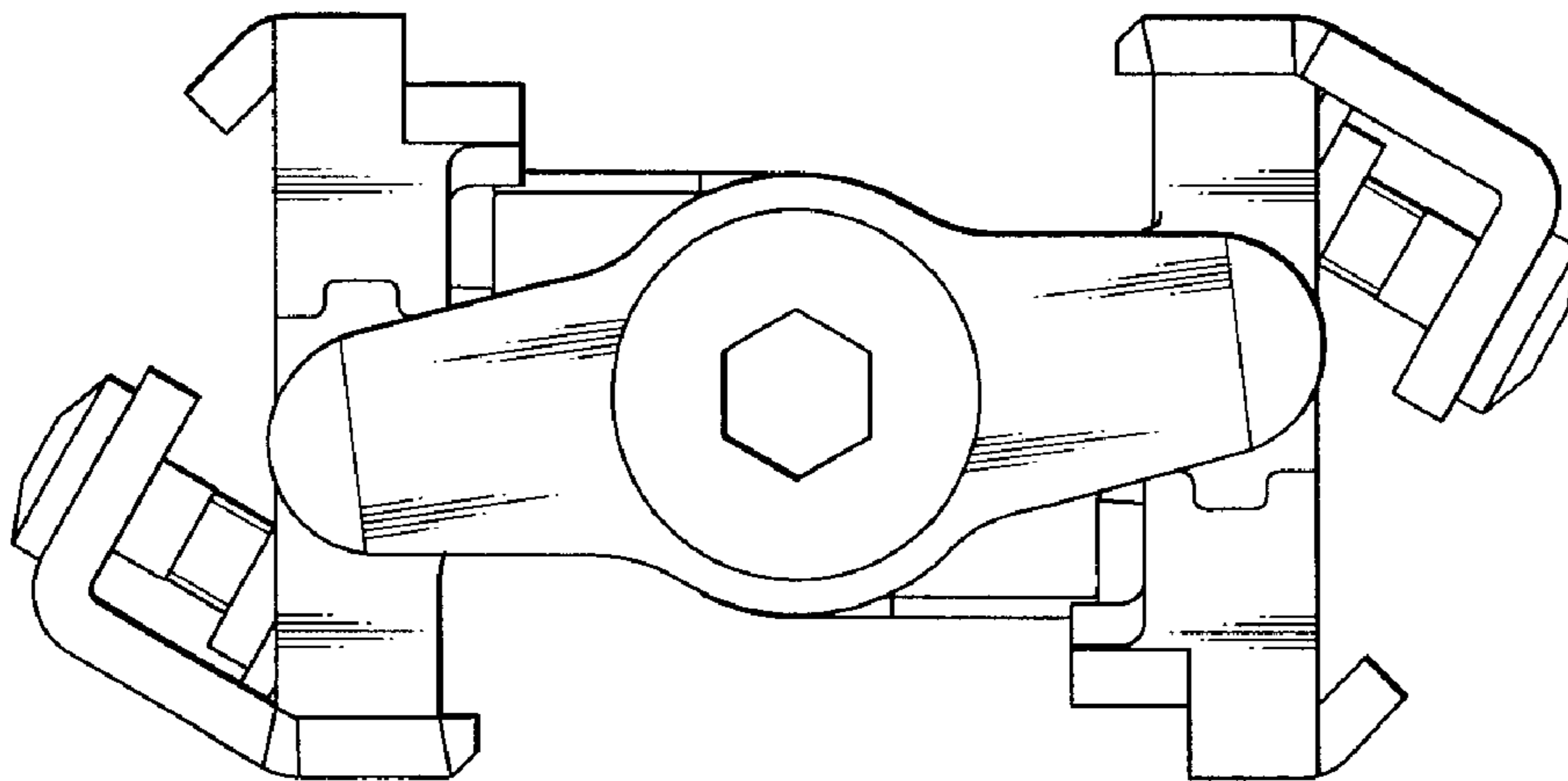


FIG. 4

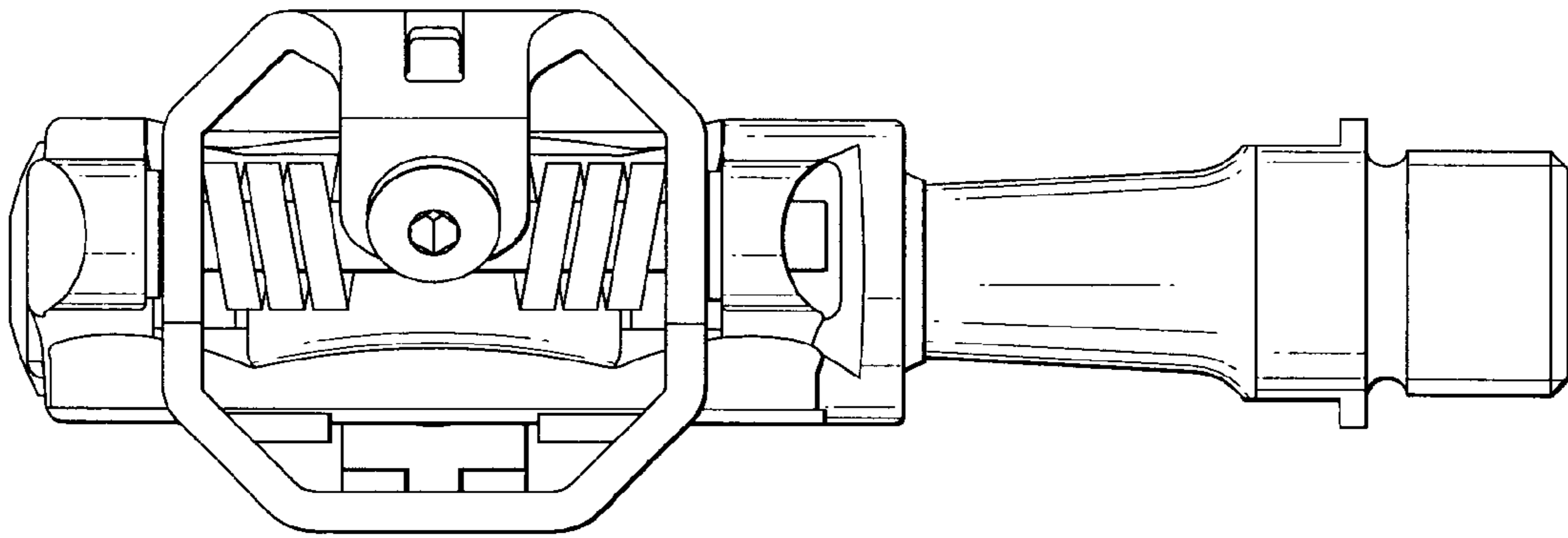


FIG. 6

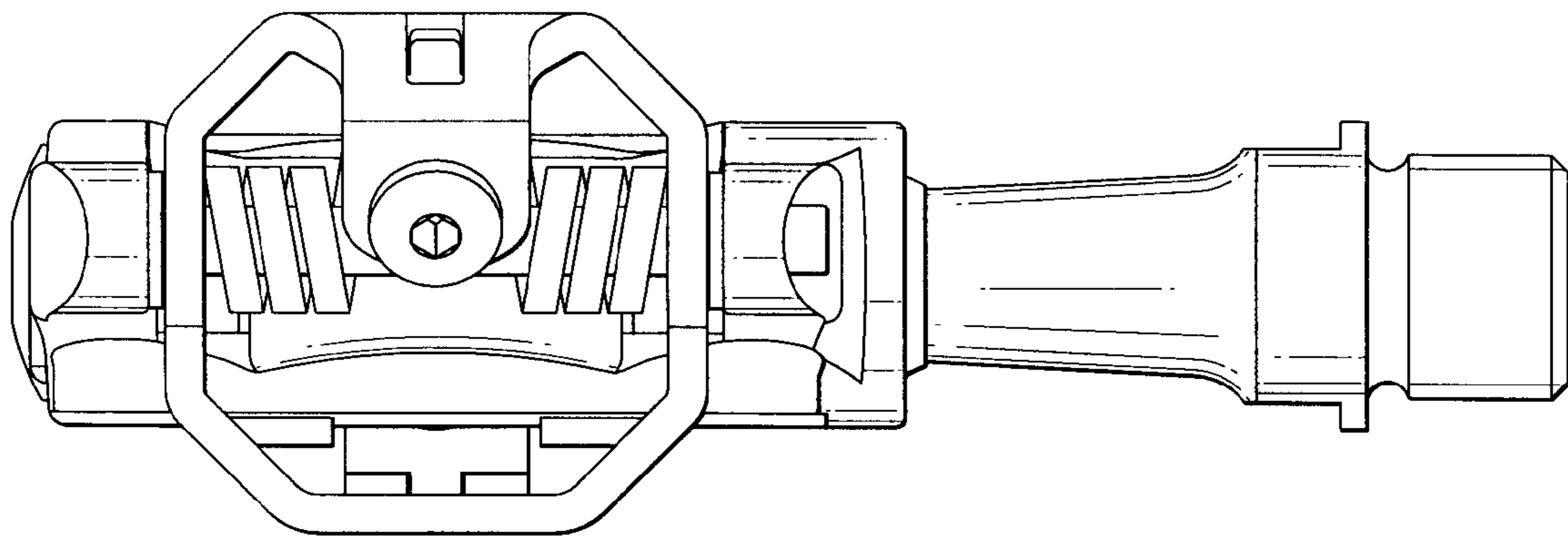


FIG. 7