



US00D522413S

(12) **United States Design Patent**
Okada

(10) **Patent No.:** **US D522,413 S**
(45) **Date of Patent:** **** Jun. 6, 2006**

(54) **BICYCLE CRANK ARM**

(75) Inventor: **Shigekatsu Okada**, Sakai (JP)

(73) Assignee: **Shimano Inc.**, Osaka (JP)

(**) Term: **14 Years**

(21) Appl. No.: **29/224,189**

(22) Filed: **Feb. 28, 2005**

(30) **Foreign Application Priority Data**

Nov. 12, 2004 (JP) 2004-034581

(51) **LOC (8) Cl.** **12-11**

(52) **U.S. Cl.** **D12/123**

(58) **Field of Classification Search** D12/111,
D12/123; 474/152, 164, 160-162, 155-158;
280/259, 260; D8/308, 309; 74/594.1, 594.2,
74/594.3

See application file for complete search history.

(56) **References Cited**

U.S. PATENT DOCUMENTS

4,811,626 A * 3/1989 Bezin 74/594.1
D319,808 S * 9/1991 Cook D12/123
5,197,353 A * 3/1993 Trenerry et al. 74/594.1

OTHER PUBLICATIONS

Colorado Cyclist, Spring 1998, SYNCROS Revolution ATB
Crank on p. 30.*

* cited by examiner

Primary Examiner—Alan P. Douglas

Assistant Examiner—Linda Brooks

(74) *Attorney, Agent, or Firm*—Shinjyu Global IP
Counselors, LLP

(57) **CLAIM**

The ornamental design for a bicycle crank arm, as shown
and described.

DESCRIPTION

FIG. 1 is a perspective view of the bicycle crank arm in
accordance with my new design;

FIG. 2 is a front elevational view of the bicycle crank arm
in accordance with my new design;

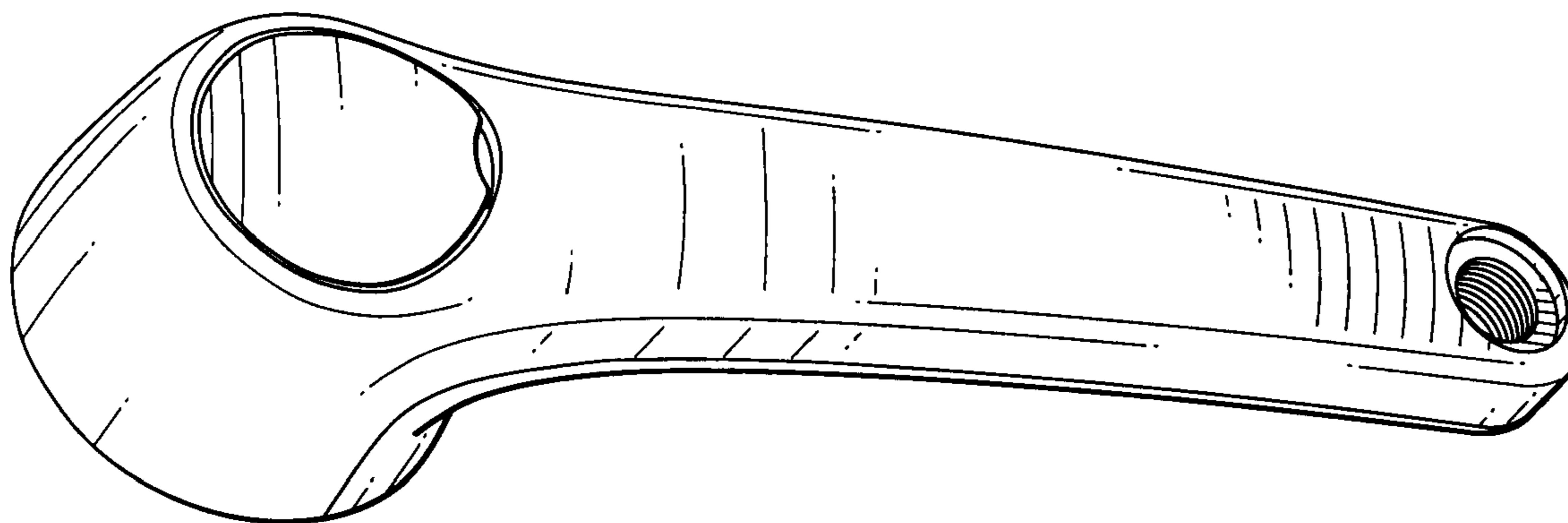
FIG. 3 is a rear elevational view of the bicycle crank arm in
accordance with my new design;

FIG. 4 is a top plan view of the bicycle crank arm in
accordance with my new design, with the bottom plan view
being a mirror image;

FIG. 5 is a left side elevational view of the bicycle crank arm
in accordance with my new design; and,

FIG. 6 is a right side elevational view of the bicycle crank
arm in accordance with my new design.

1 Claim, 2 Drawing Sheets



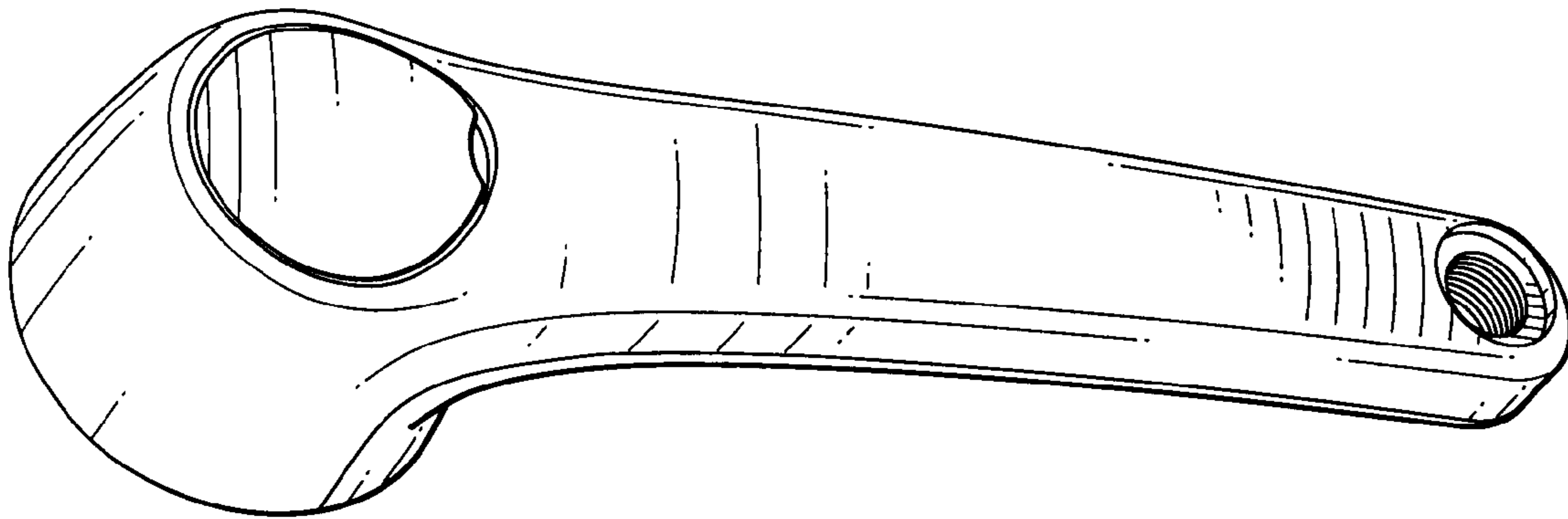


FIG. 1

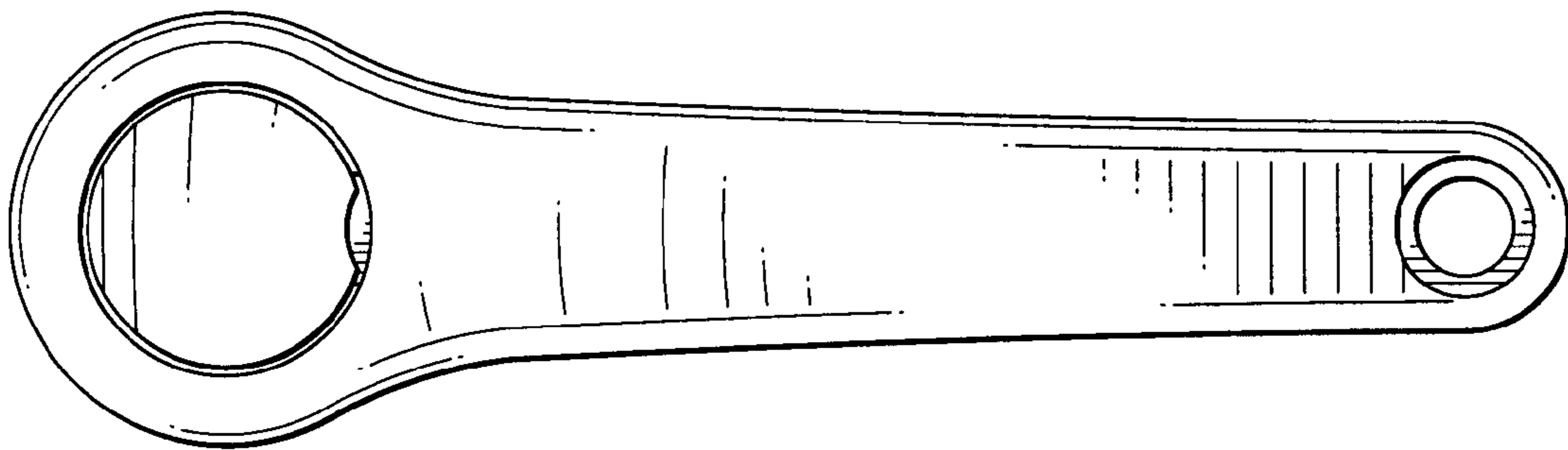


FIG. 2

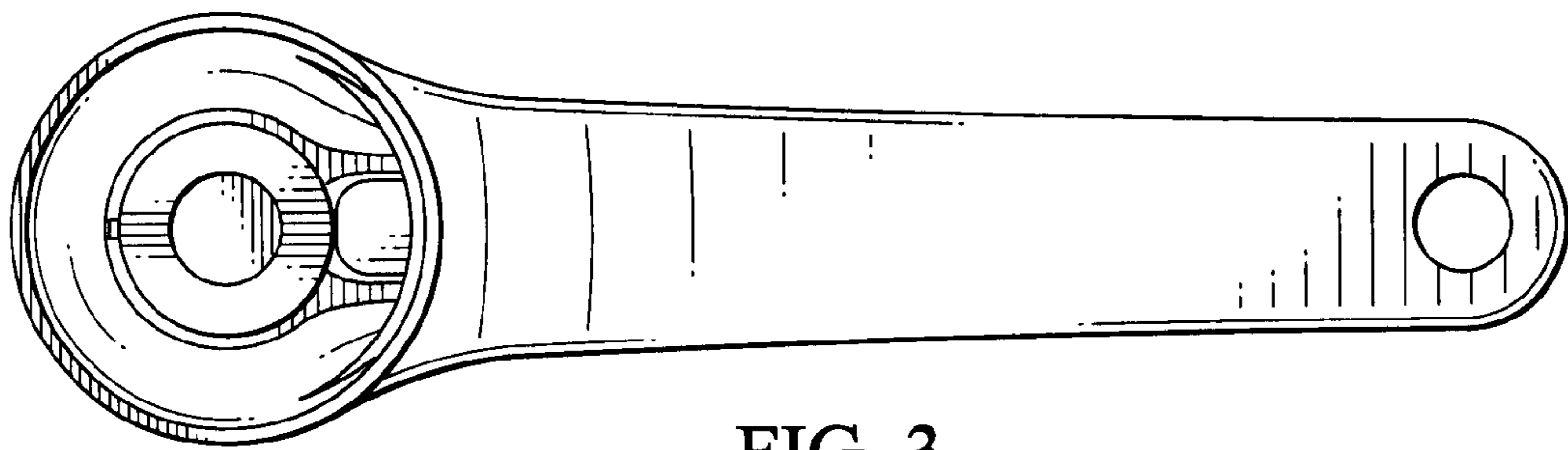


FIG. 3

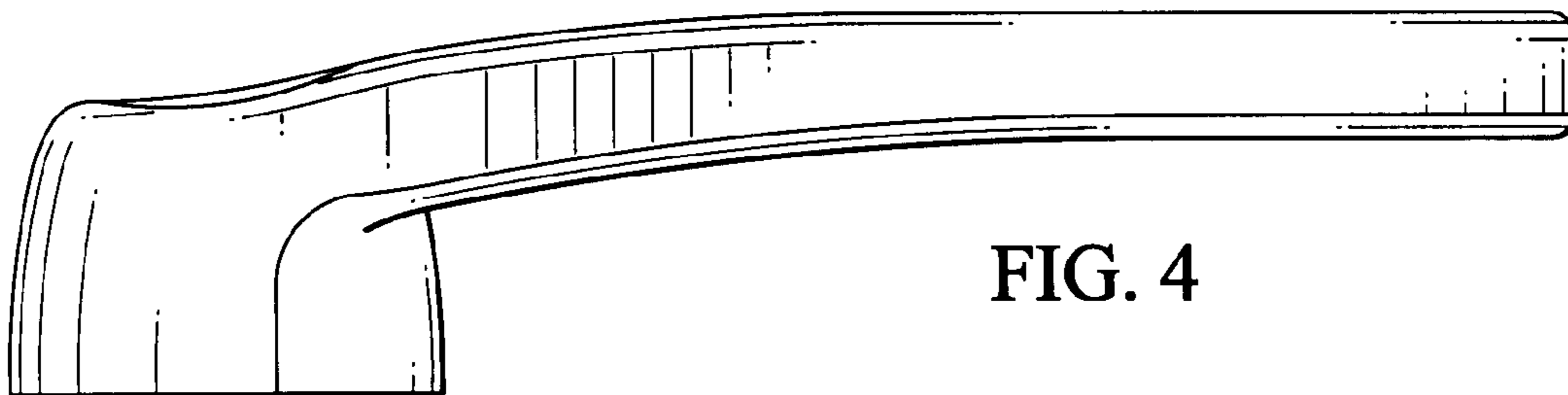


FIG. 4

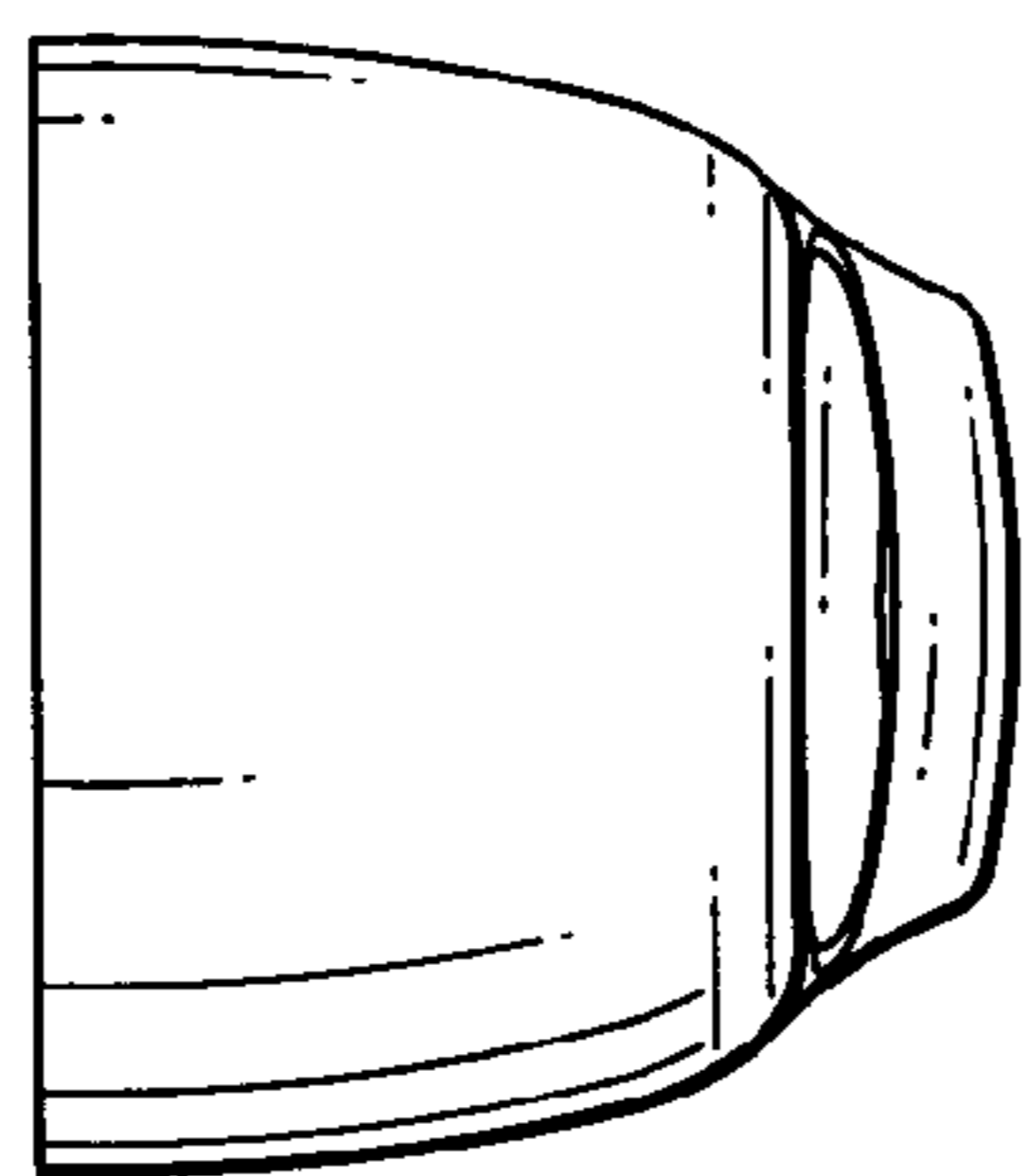


FIG. 5

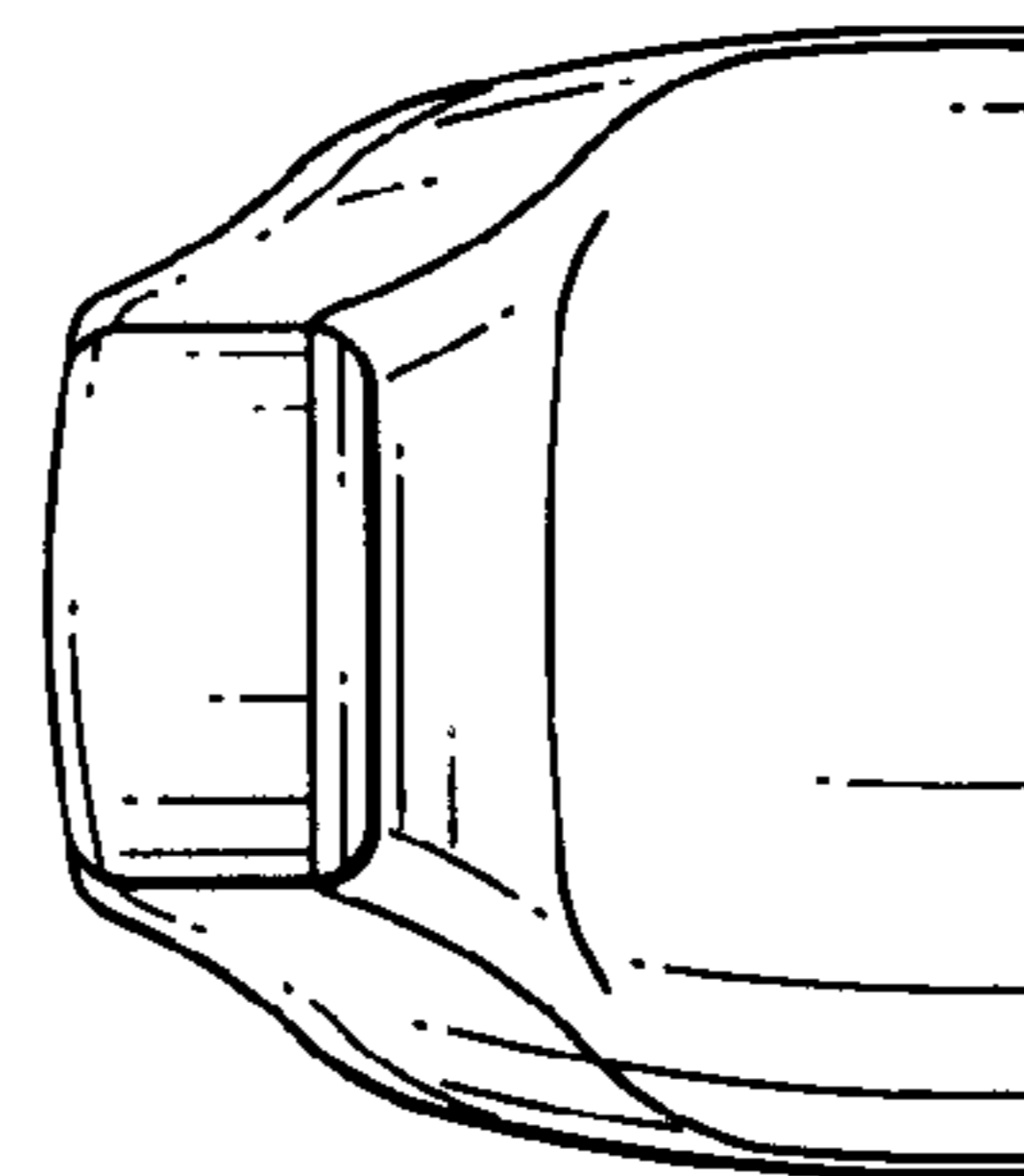


FIG. 6