

US00D522410S

(12) **United States Design Patent**
Lin

(10) **Patent No.:** **US D522,410 S**

(45) **Date of Patent:** **** Jun. 6, 2006**

(54) **ALL-TERRAIN VEHICLE**

(75) Inventor: **Ching-Hua Lin**, Ta-Li (TW)

(73) Assignee: **CPI Motor Co.**, Ta-Li (TW)

(**) Term: **14 Years**

(21) Appl. No.: **29/221,866**

(22) Filed: **Jan. 21, 2005**

(51) **LOC (8) Cl.** **12-11**

(52) **U.S. Cl.** **D12/107**

(58) **Field of Classification Search** D12/3,
D12/86, 87, 107, 110; 180/225, 229, 233,
180/311, 312, 315

See application file for complete search history.

(56) **References Cited**

U.S. PATENT DOCUMENTS

D349,078 S	*	7/1994	Kimura et al.	D12/107
D412,464 S	*	8/1999	Ichihara et al.	D12/107
D438,823 S	*	3/2001	Luh	D12/107
D445,363 S	*	7/2001	Luh	D12/107

D448,325 S	*	9/2001	Fujieda	D12/107
D485,212 S	*	1/2004	Wu	D12/107
D485,213 S	*	1/2004	Wu	D12/107

* cited by examiner

Primary Examiner—Alan P. Douglas

Assistant Examiner—Linda Brooks

(74) *Attorney, Agent, or Firm*—Alan D. Kamrath; Nikolai & Mersereau, P.A.

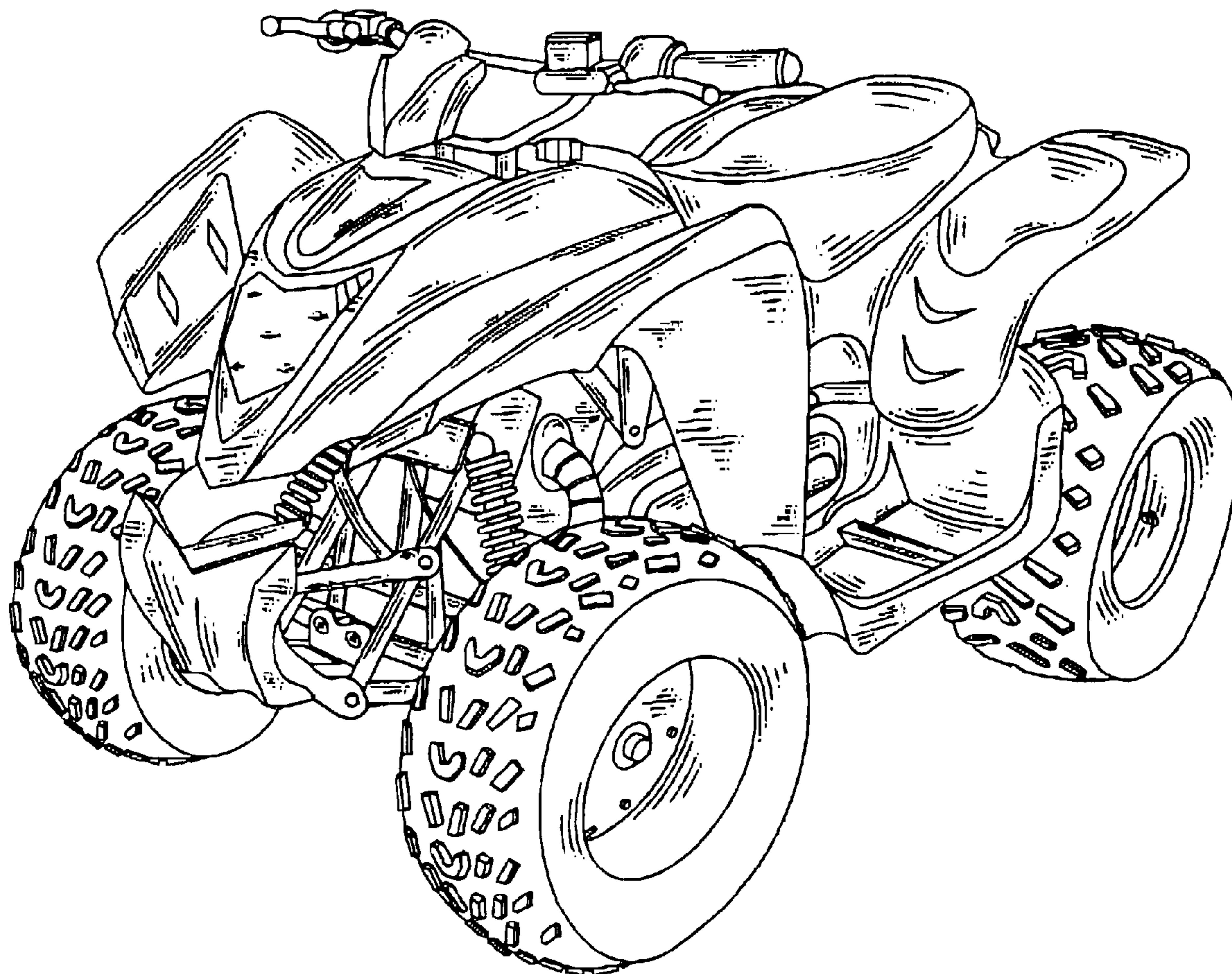
(57) **CLAIM**

The ornamental design for an all-terrain vehicle, as shown.

DESCRIPTION

FIG. 1 is a perspective view of an all-terrain vehicle, showing my design;
FIG. 2 is a front view thereof;
FIG. 3 is a rear view thereof;
FIG. 4 is a left view thereof;
FIG. 5 is a right view thereof;
FIG. 6 is top view thereof; and,
FIG. 7 is a bottom view thereof.

1 Claim, 4 Drawing Sheets



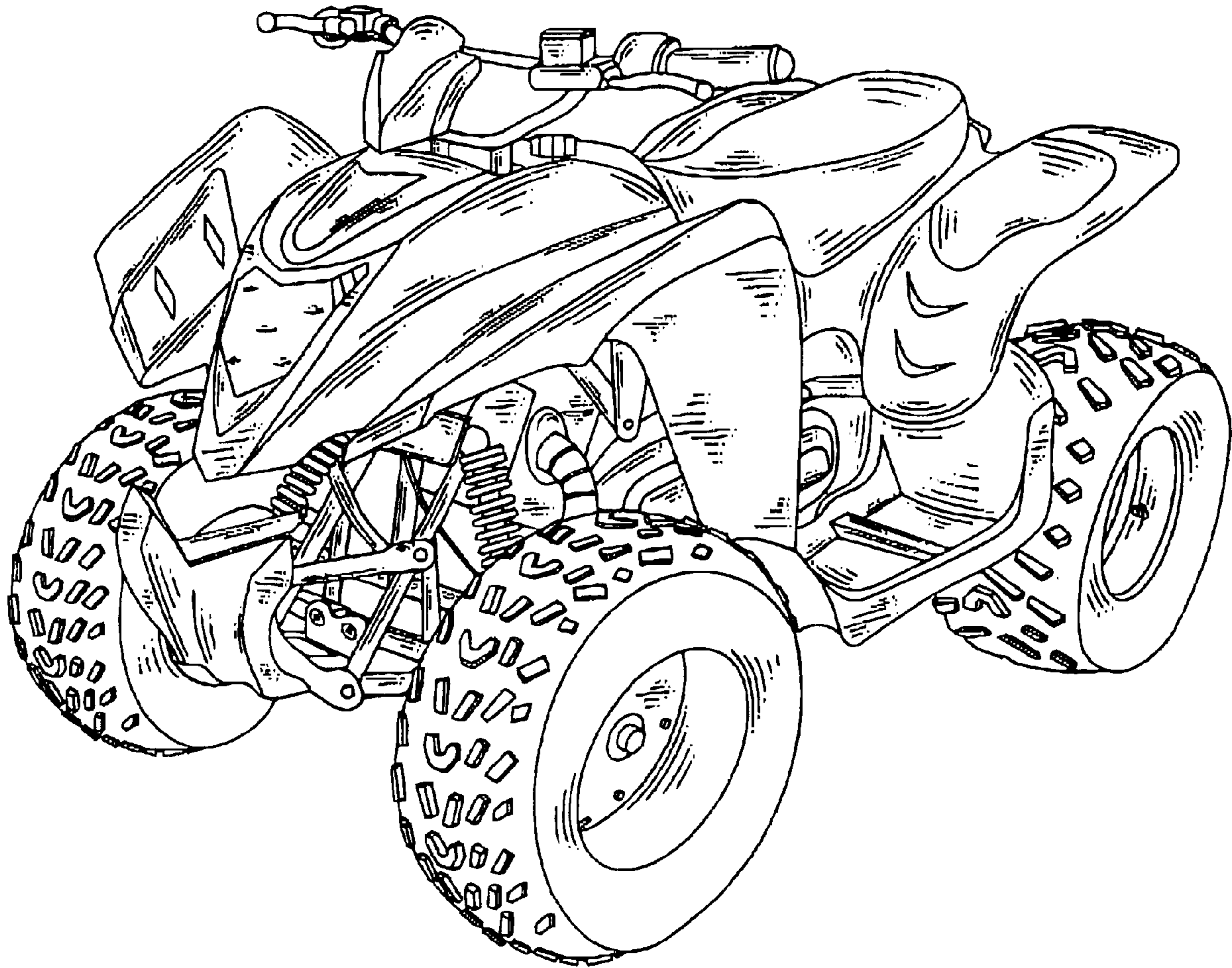


FIG. 1

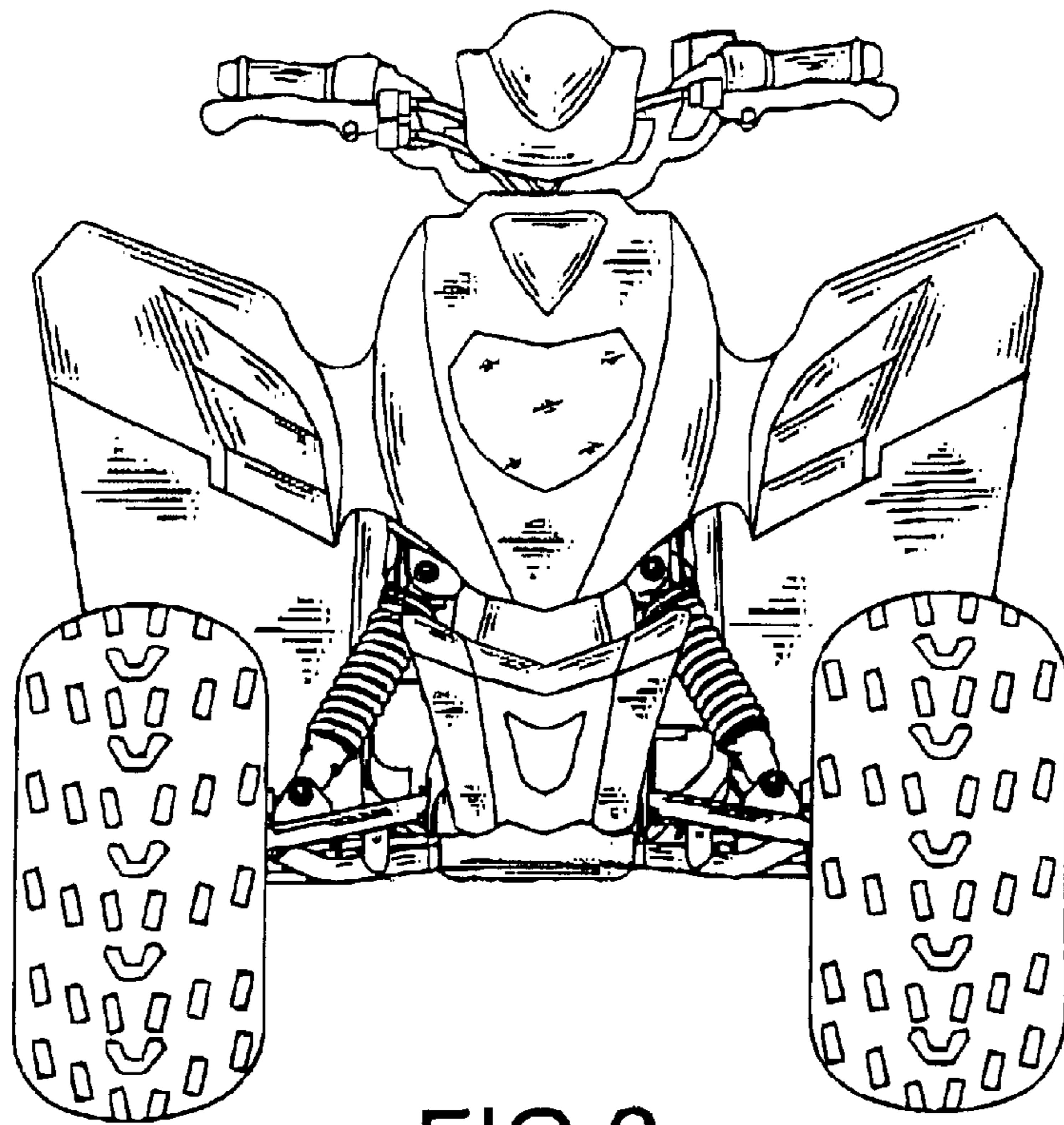


FIG. 2

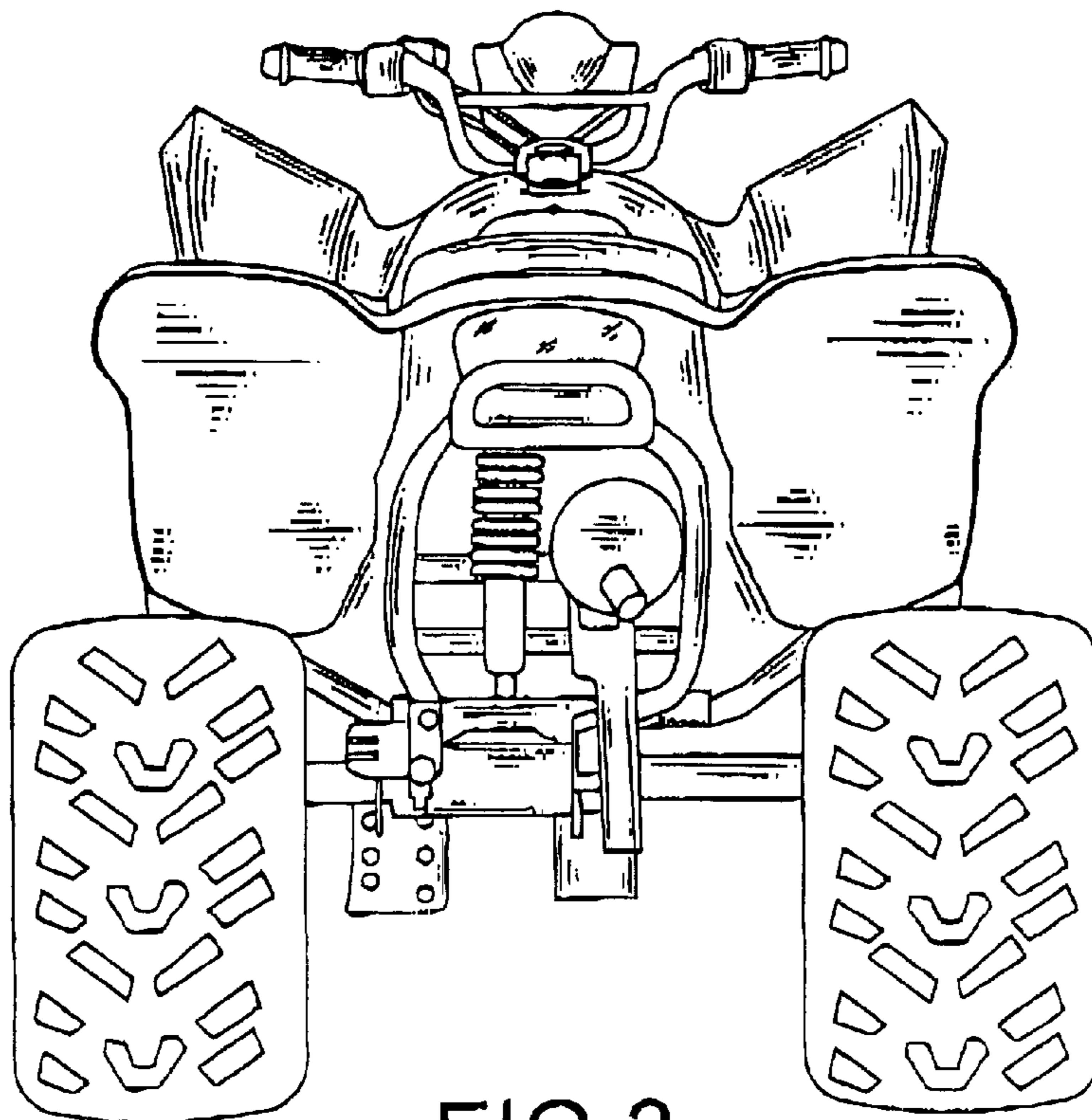


FIG. 3

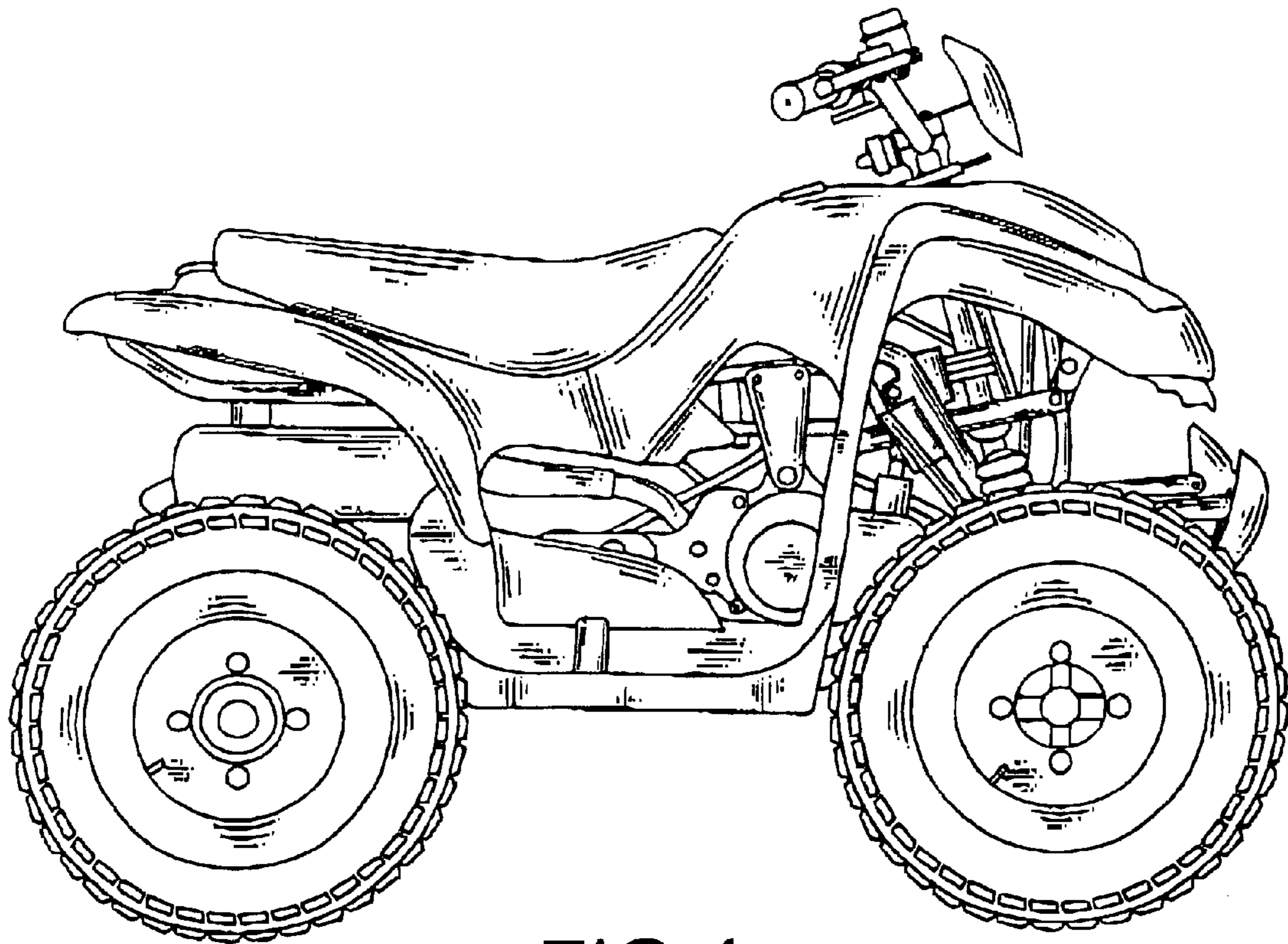


FIG. 4

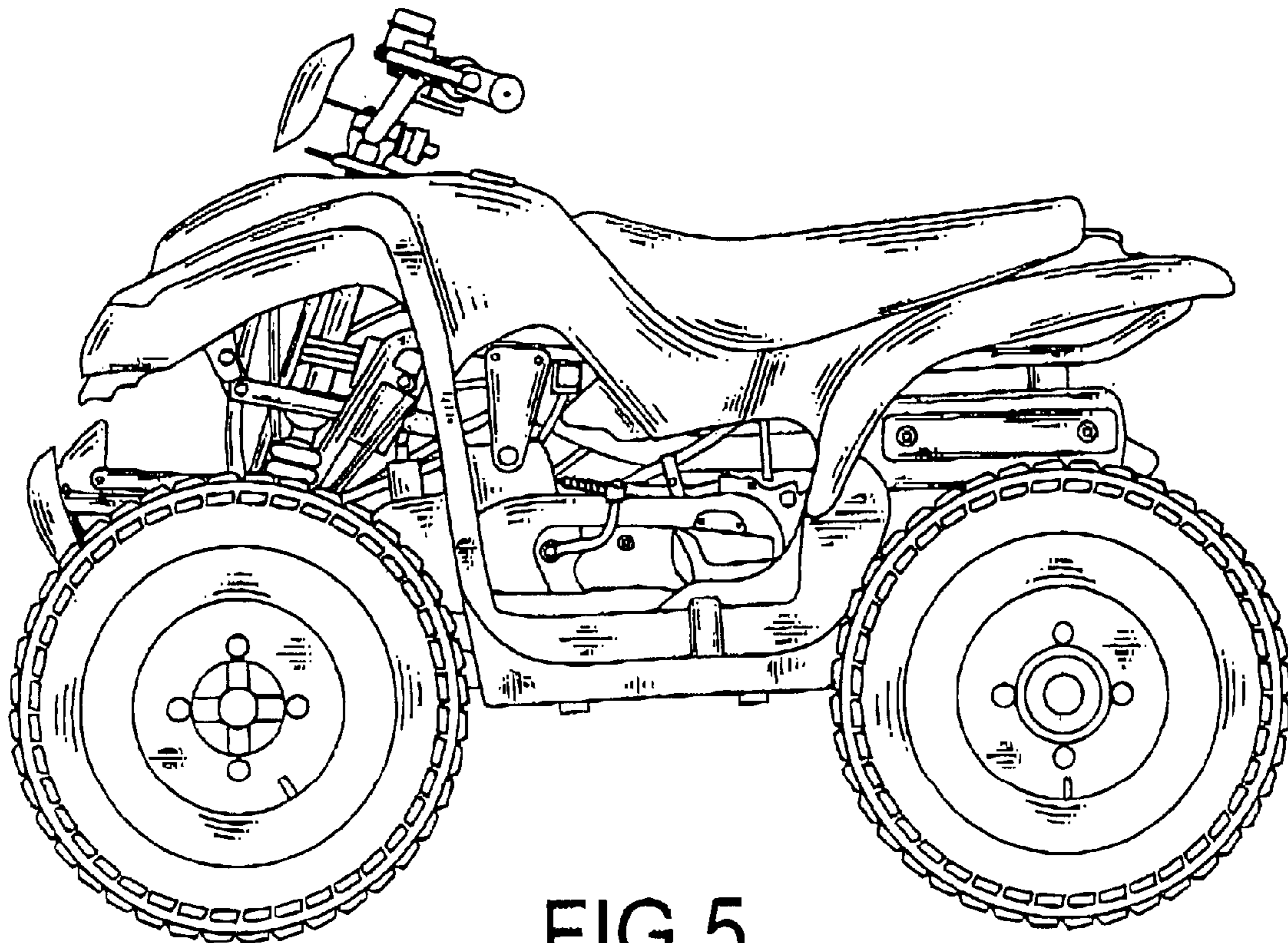


FIG. 5

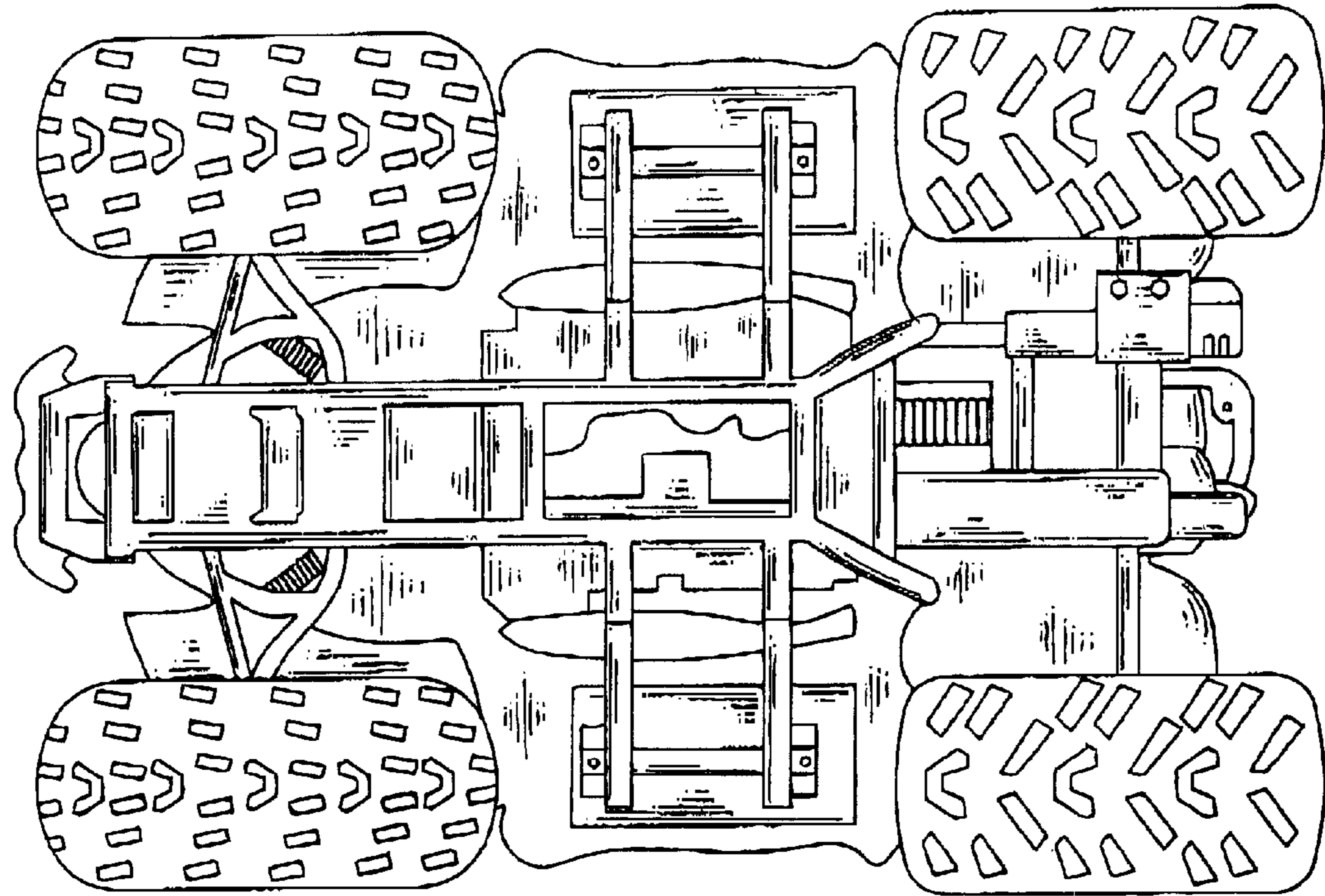


FIG. 6

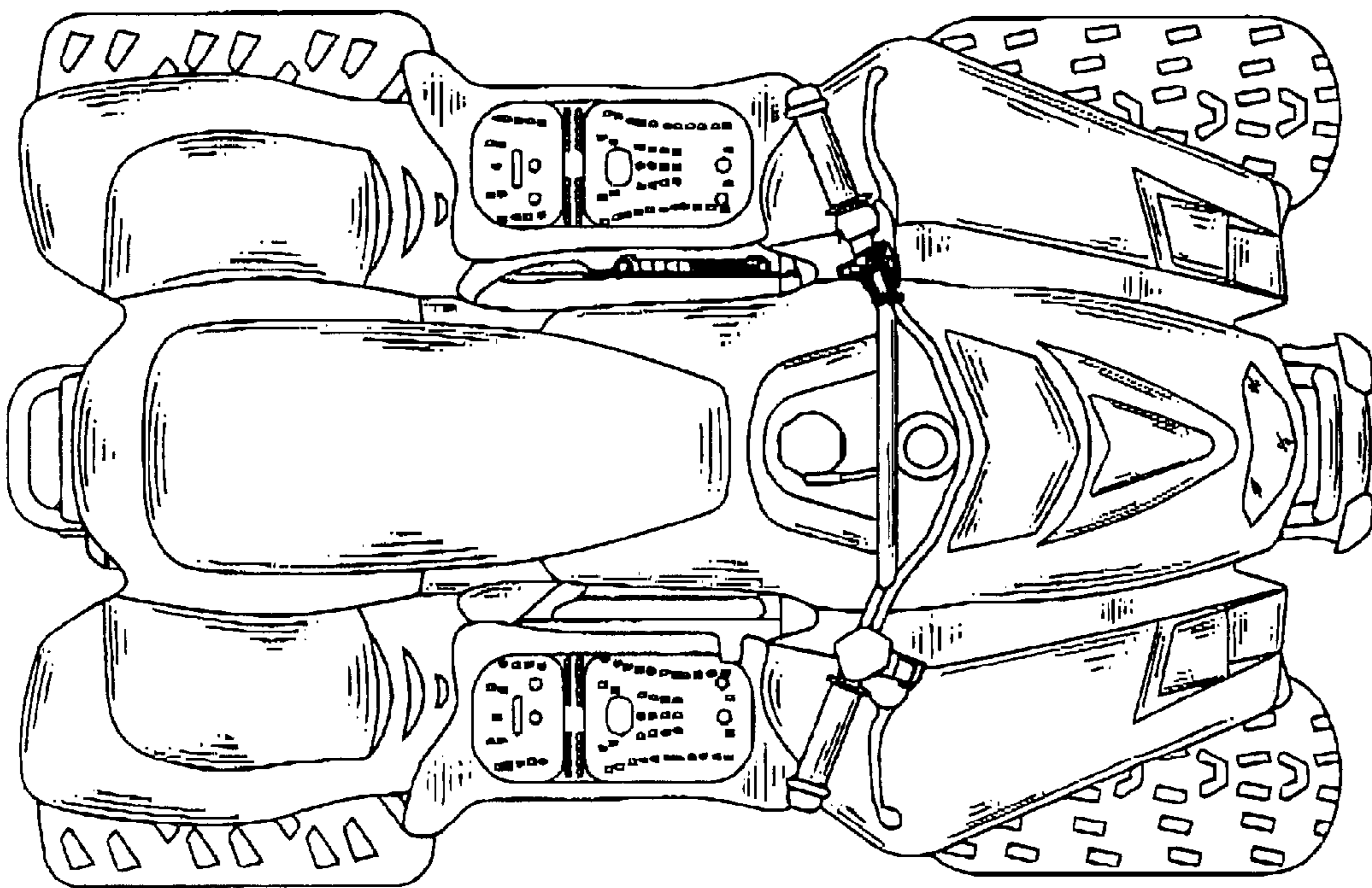


FIG. 7