

US00D522406S

(12) **United States Design Patent**  
**Dahl**

(10) **Patent No.:** **US D522,406 S**  
(45) **Date of Patent:** **\*\* Jun. 6, 2006**

(54) **DECORATIVE SCULPTURE**

(75) Inventor: **Warren J. Dahl**, White Bear Lake, MN  
(US)

(73) Assignee: **Taymark, Inc.**, North Mankato, MN  
(US)

(\*\*) Term: **14 Years**

(21) Appl. No.: **29/234,086**

(22) Filed: **Jul. 13, 2005**

(51) **LOC (8) Cl.** ..... **11-02**

(52) **U.S. Cl.** ..... **D11/157; D11/131**

(58) **Field of Classification Search** ..... D11/117-133,  
D11/70, 108, 139, 140, 143, 144, 149, 157,  
D11/164; D25/38-40, 53, 100-105, 110,  
D25/130, 132, 142, 149, 152, 153, 154, 164;  
D6/329, 396, 397, 403, 404, 405, 449, 450,  
D6/462, 493, 497, 506; D20/10, 12, 19, 23,  
D20/29, 36; D5/1, 3, 41, 64; 428/7-14, 38,  
428/542.2, 542.4, 542.6, 913.3

See application file for complete search history.

(56) **References Cited**

**U.S. PATENT DOCUMENTS**

D50,356 S \* 2/1917 Norden ..... D20/36  
D157,394 S \* 2/1950 MacCann ..... D11/108  
D160,361 S \* 10/1950 Boucher ..... D11/70  
D168,107 S \* 11/1952 Moessner ..... D11/118  
D176,448 S \* 12/1955 Cohen ..... D6/450

D193,156 S \* 7/1962 O'Donoghuy et al. .... D25/40  
D203,188 S \* 12/1965 Ackerman ..... D25/164  
D245,835 S \* 9/1977 Lusk et al. .... D11/131  
4,086,738 A \* 5/1978 Saccoccio ..... 52/270  
D271,953 S \* 12/1983 Koch ..... D11/143  
D314,823 S \* 2/1991 Moran et al. .... D24/180  
D409,113 S \* 5/1999 Tam ..... D11/164  
5,955,156 A \* 9/1999 Hermanson ..... 428/7  
D432,449 S \* 10/2000 Visser ..... D11/125  
2004/0037974 A1 \* 2/2004 Price et al. .... 428/4

\* cited by examiner

*Primary Examiner*—Catherine Tuttle

(74) *Attorney, Agent, or Firm*—Gray, Plant, Mooty, Mooty  
& Bennett, PA; Peter Forrest

(57) **CLAIM**

I claim the ornamental design for a decorative sculpture, as shown and described.

**DESCRIPTION**

FIG. 1 is a perspective view of a decorative sculpture showing my new design;

FIG. 2 is a front view of the same;

FIG. 3 is a back view of the same

FIG. 4 is a left side view of the same;

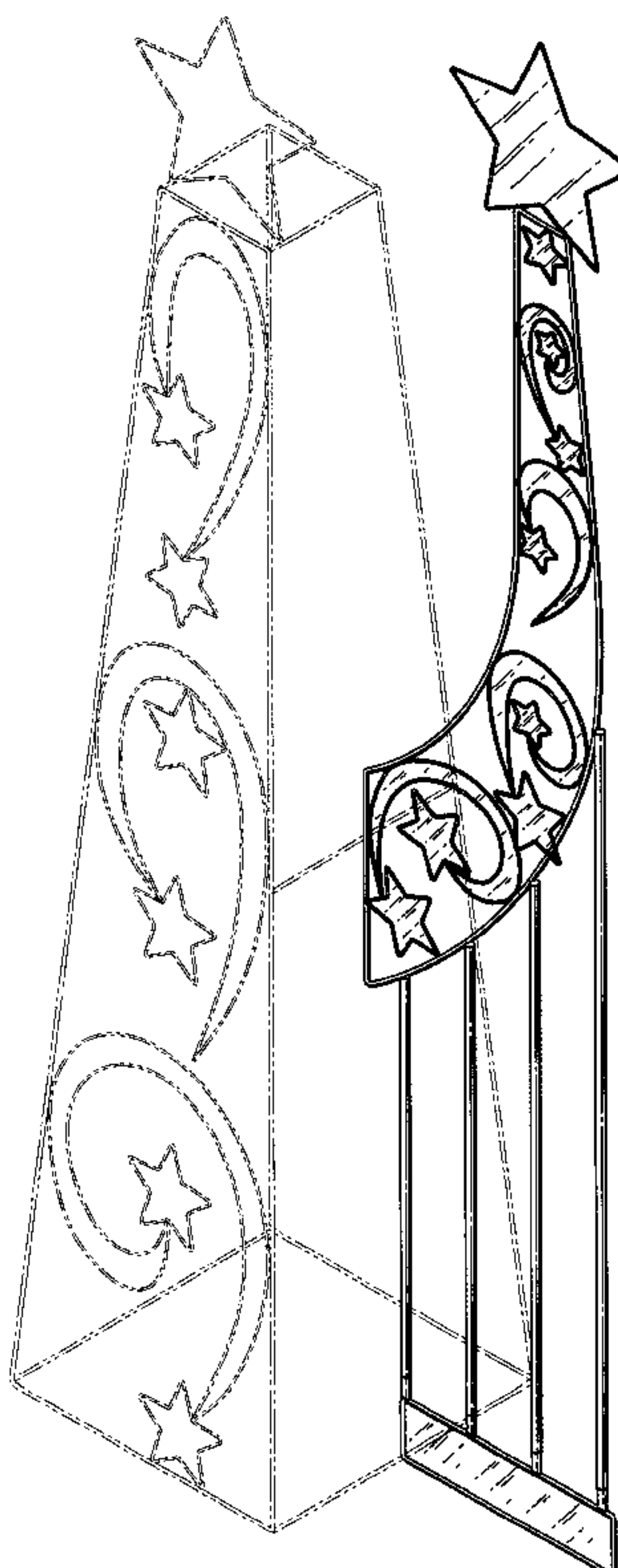
FIG. 5 is a right side view of the same

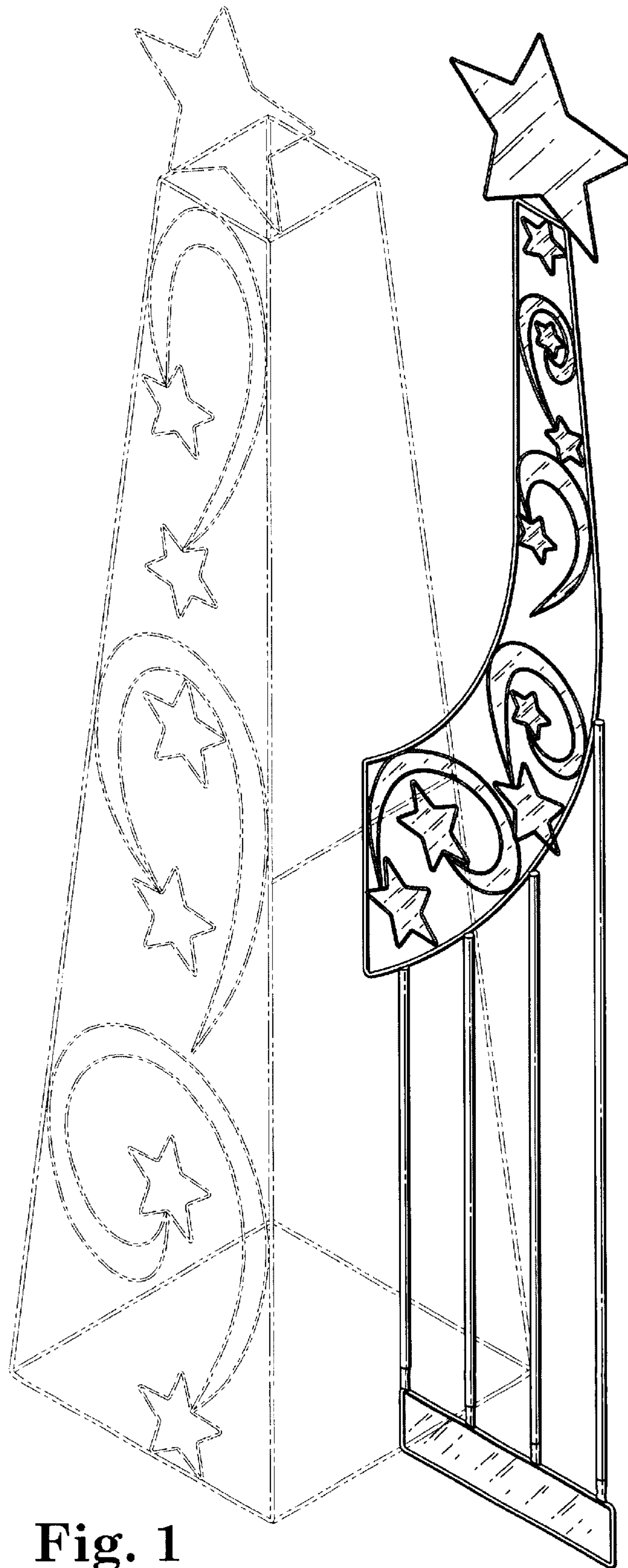
FIG. 6 is a top view of the same; and,

FIG. 7 is a bottom view of the same.

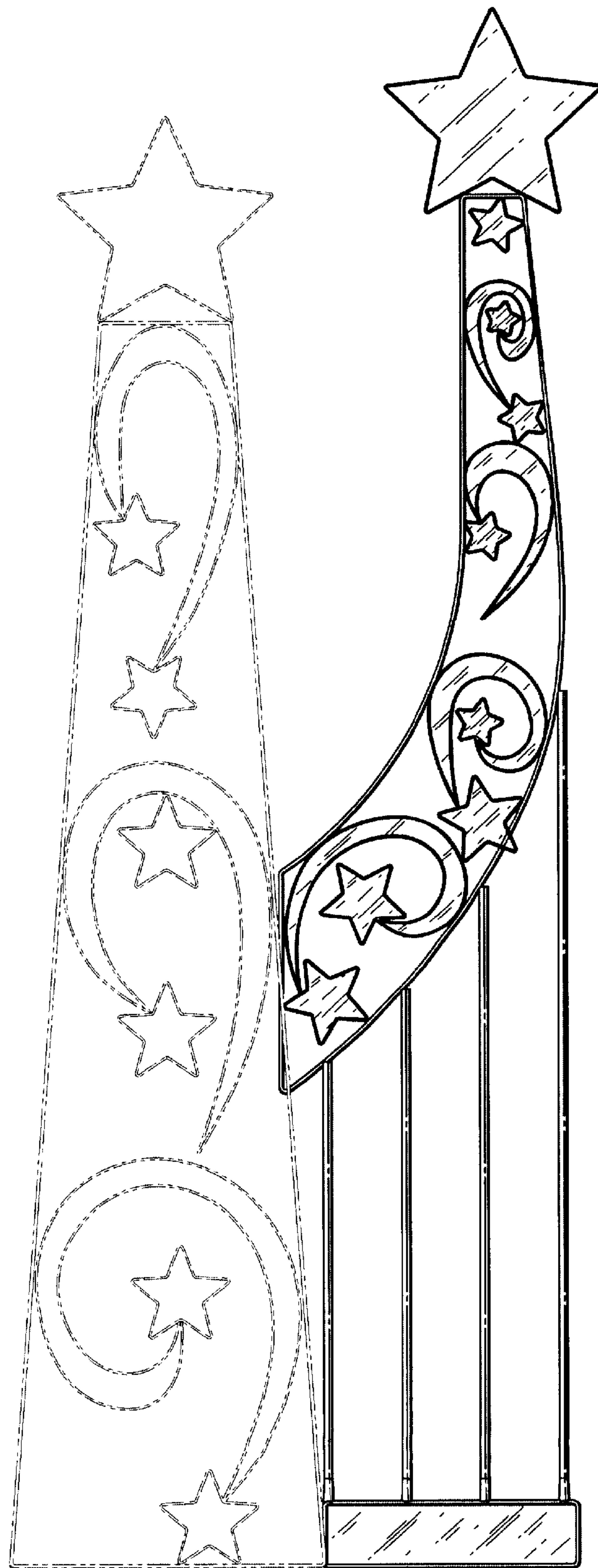
The portion shown in broken lines is for illustrative purposes only; and forms no part of the claimed design.

**1 Claim, 5 Drawing Sheets**





**Fig. 1**



**Fig. 2**

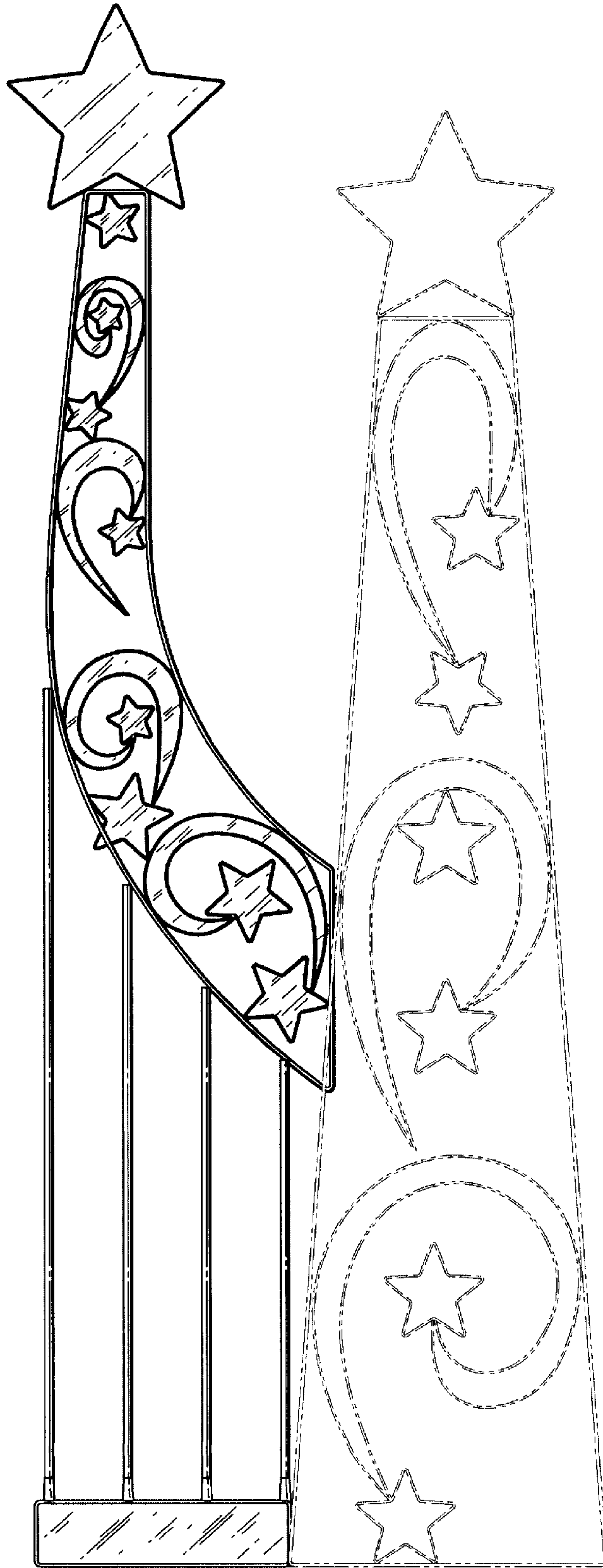
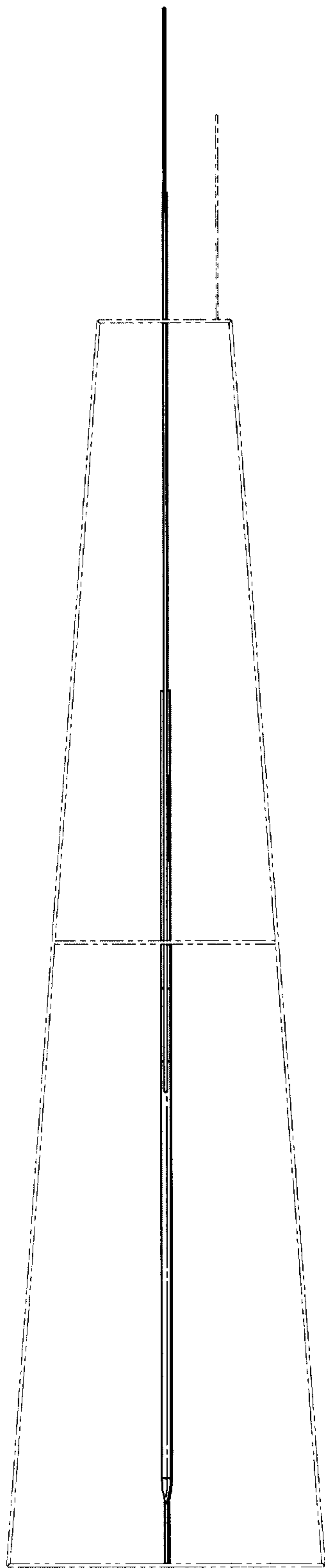
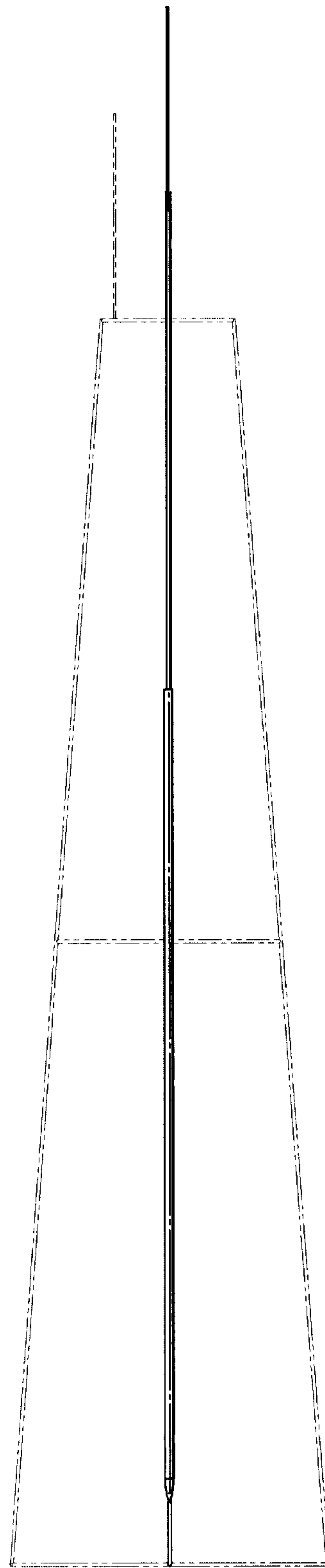


Fig. 3

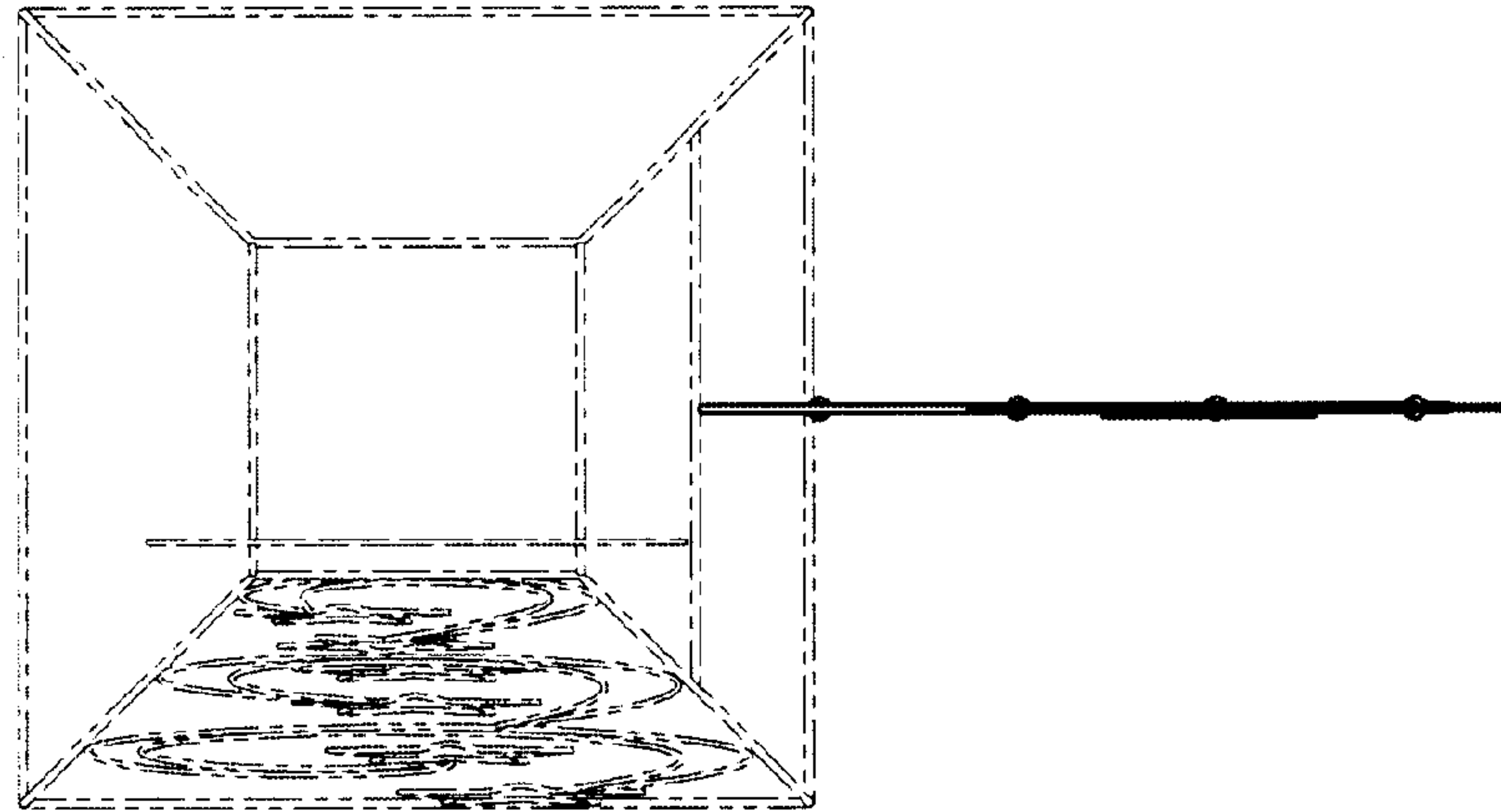




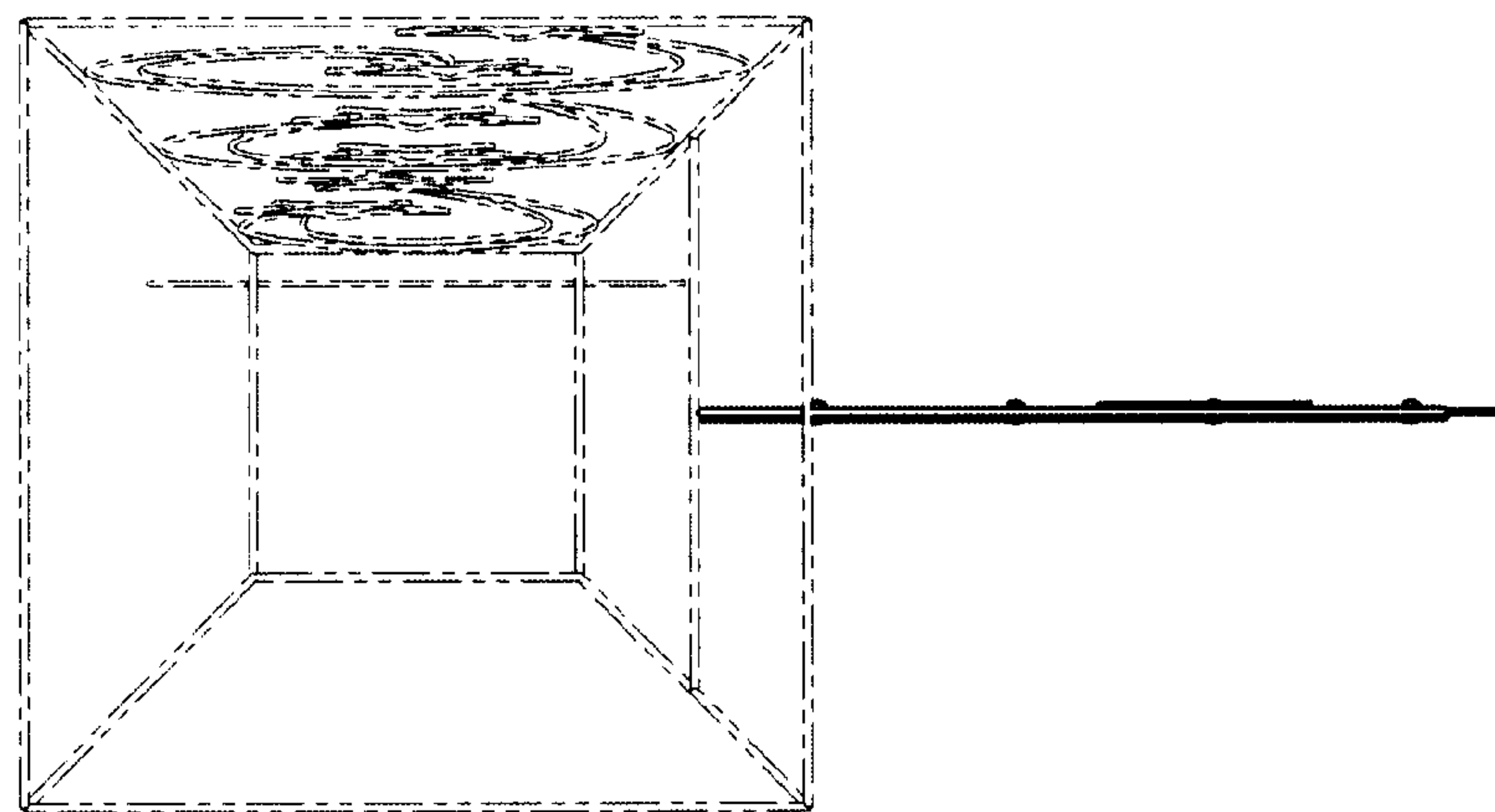
**Fig. 4**



**Fig. 5**



**Fig. 6**



**Fig. 7**