



US00D522393S

(12) **United States Design Patent**
Schumann

(10) **Patent No.:** **US D522,393 S**

(45) **Date of Patent:** **** Jun. 6, 2006**

(54) **WEIGHING SCALE FOR BABIES**
(75) Inventor: **Volker Schumann**, Hamburg (DE)
(73) Assignee: **Seca GmbH**, Hamburg (DE)
(**) Term: **14 Years**

(21) Appl. No.: **29/230,549**
(22) Filed: **May 24, 2005**

(30) **Foreign Application Priority Data**
Nov. 24, 2004 (DE) 4 04 06 819
(51) **LOC (8) Cl.** **10-04**
(52) **U.S. Cl.** **D10/91**
(58) **Field of Classification Search** D10/91-92;
33/512; 177/3-4, 25.11-25.19, 177, 180,
177/181, 199, 210 R, 238-245, 262, DIG. 3-DIG. 4;
705/401-411
See application file for complete search history.

(56) **References Cited**
U.S. PATENT DOCUMENTS
D314,716 S * 2/1991 Busse D10/91

D463,302 S * 9/2002 Ariyama et al. D10/91
D464,896 S * 10/2002 Ho et al. D10/91

* cited by examiner

Primary Examiner—Antoine D. Davis
(74) *Attorney, Agent, or Firm*—Nixon & Vanderhye P.C.

(57) **CLAIM**

The ornamental design for a “weighing scale for babies”, as shown and described.

DESCRIPTION

FIG. 1 is a top, left, front perspective view of a weighing scale for babies;
FIG. 2 is a top plan view thereof;
FIG. 3 is a bottom plan view thereof;
FIG. 4 is a front view thereof;
FIG. 5 is a rear view thereof;
FIG. 6 is a left side view thereof; and,
FIG. 7 is a right side view thereof.
The broken line showing is for illustrative purposes only and forms no part of the claimed design.

1 Claim, 4 Drawing Sheets

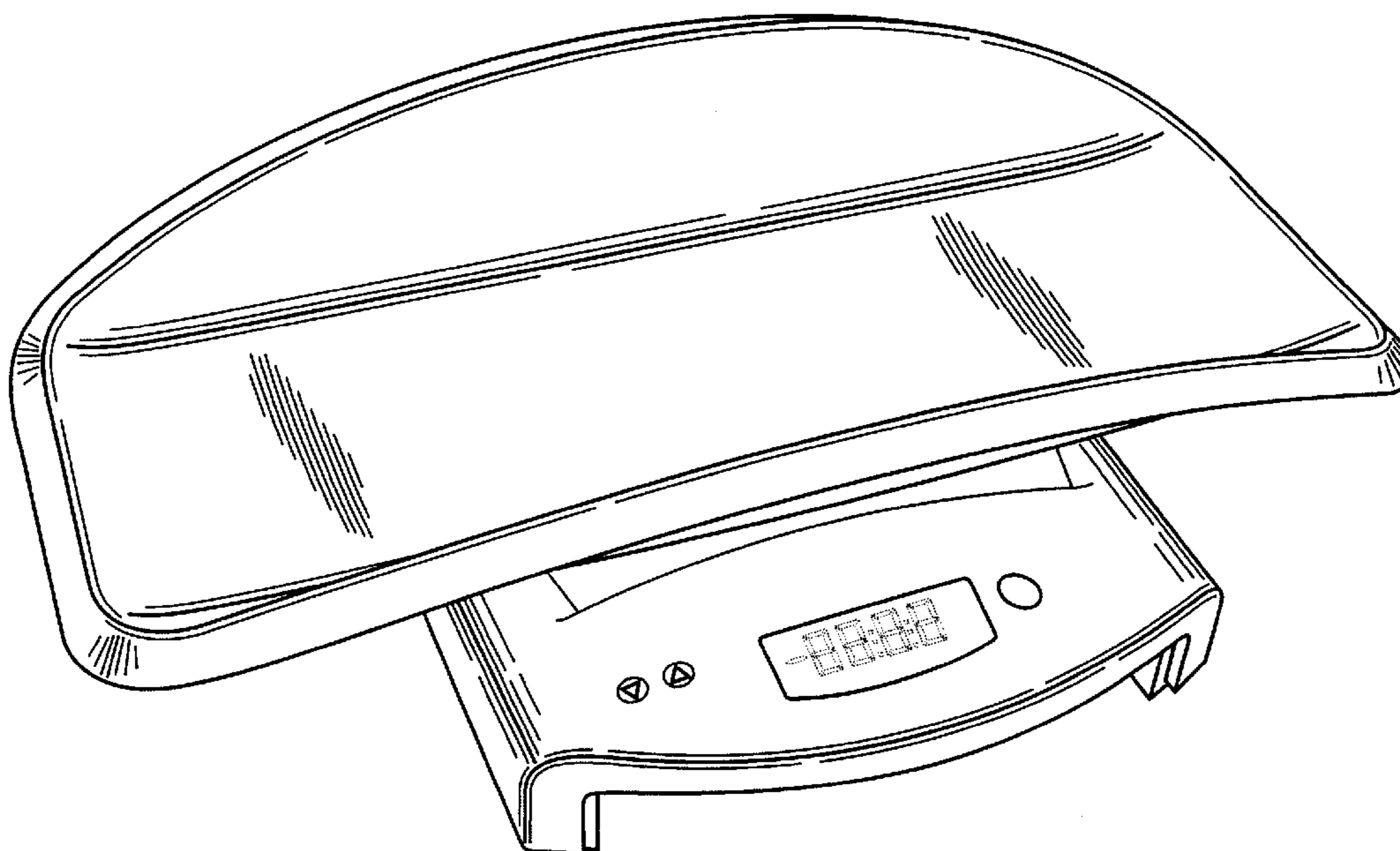


Fig. 1

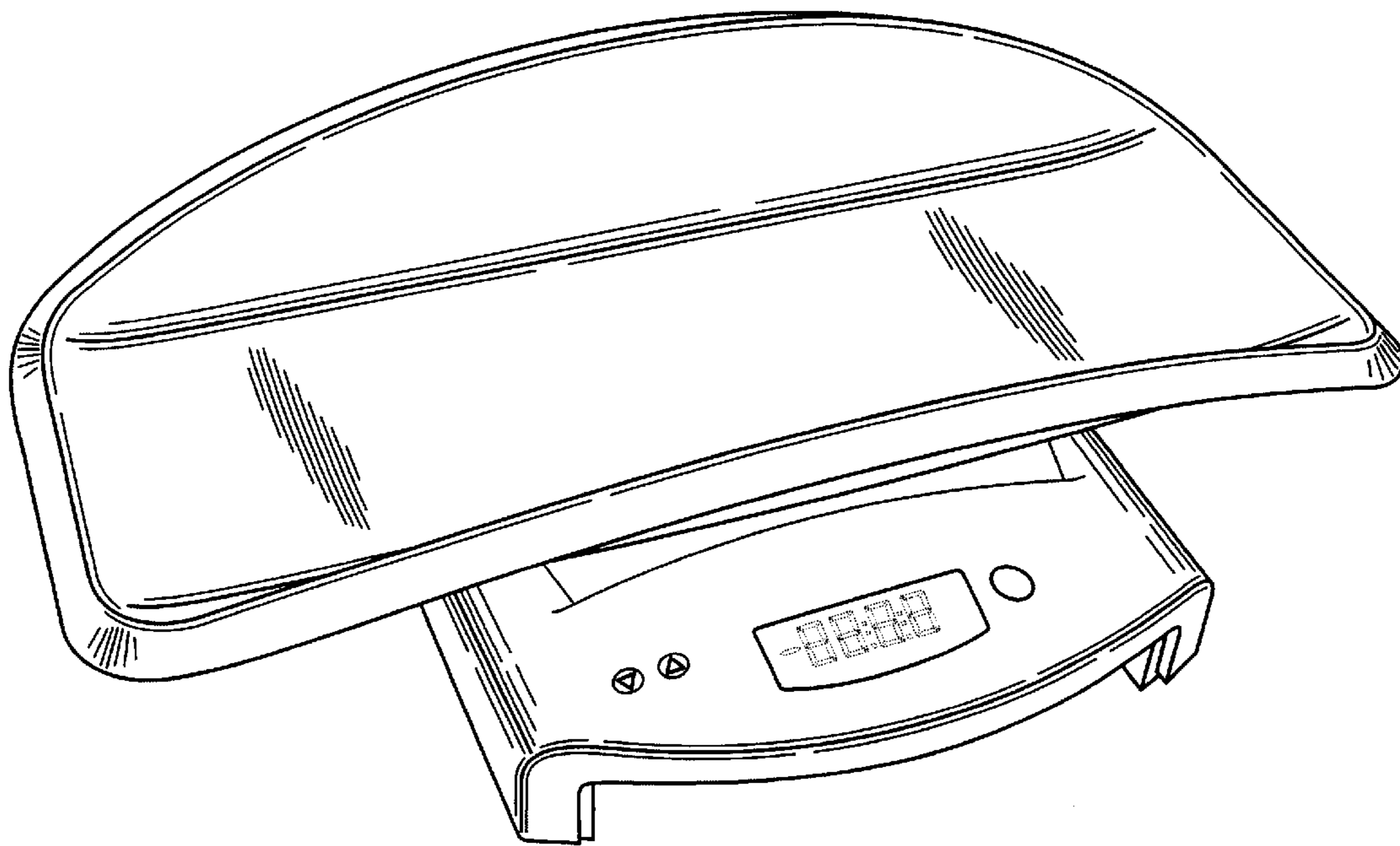


Fig. 2

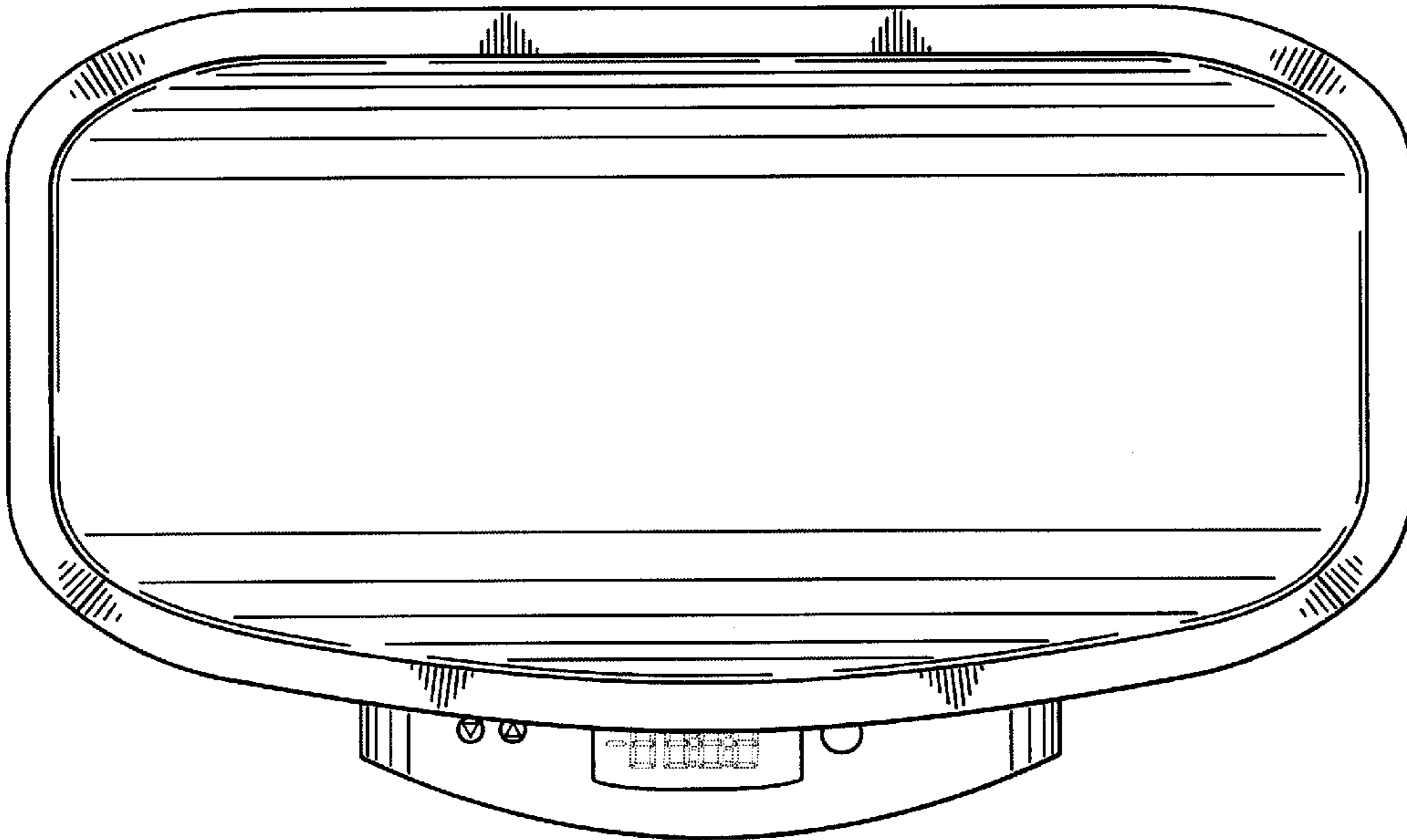


Fig. 3

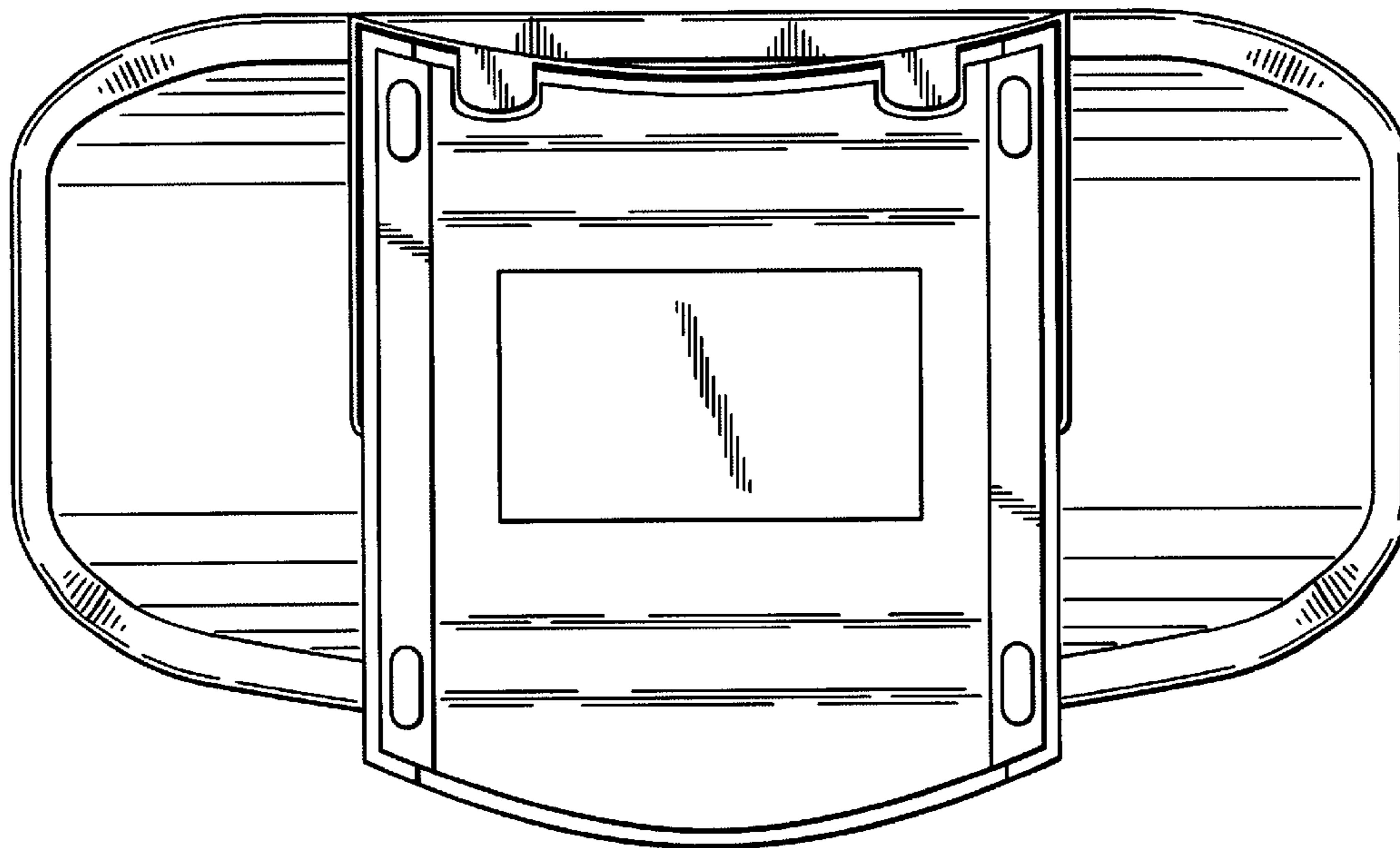


Fig. 4

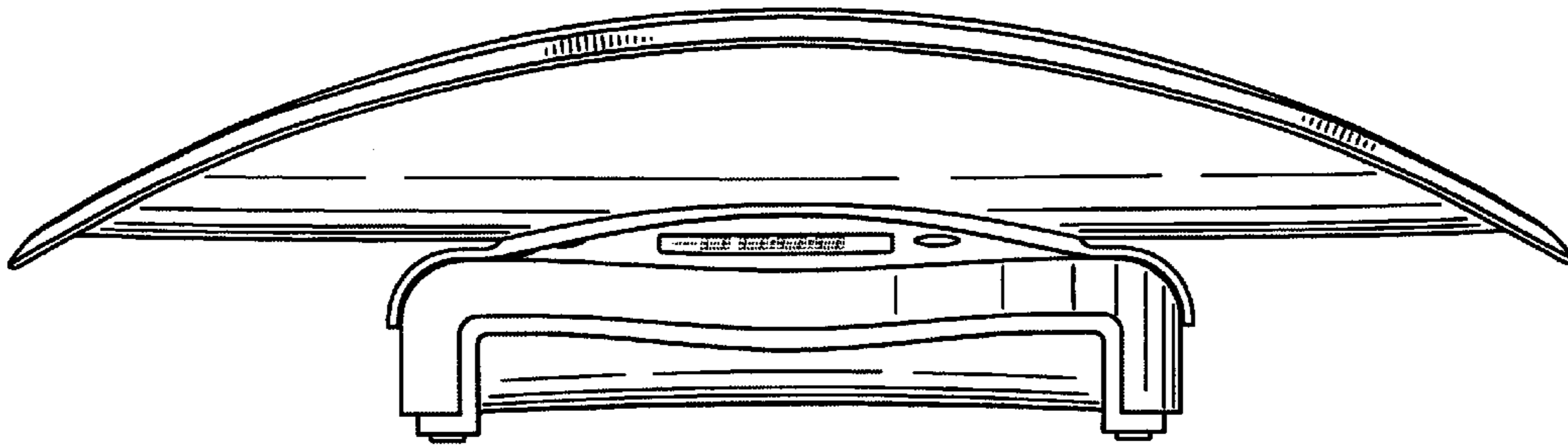


Fig. 5

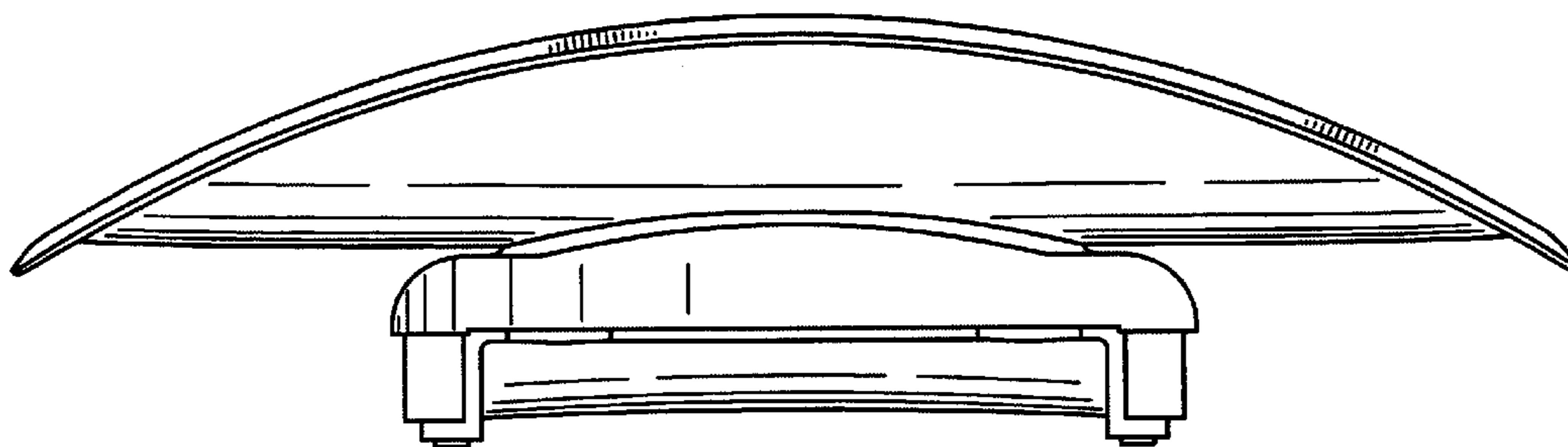


Fig. 6

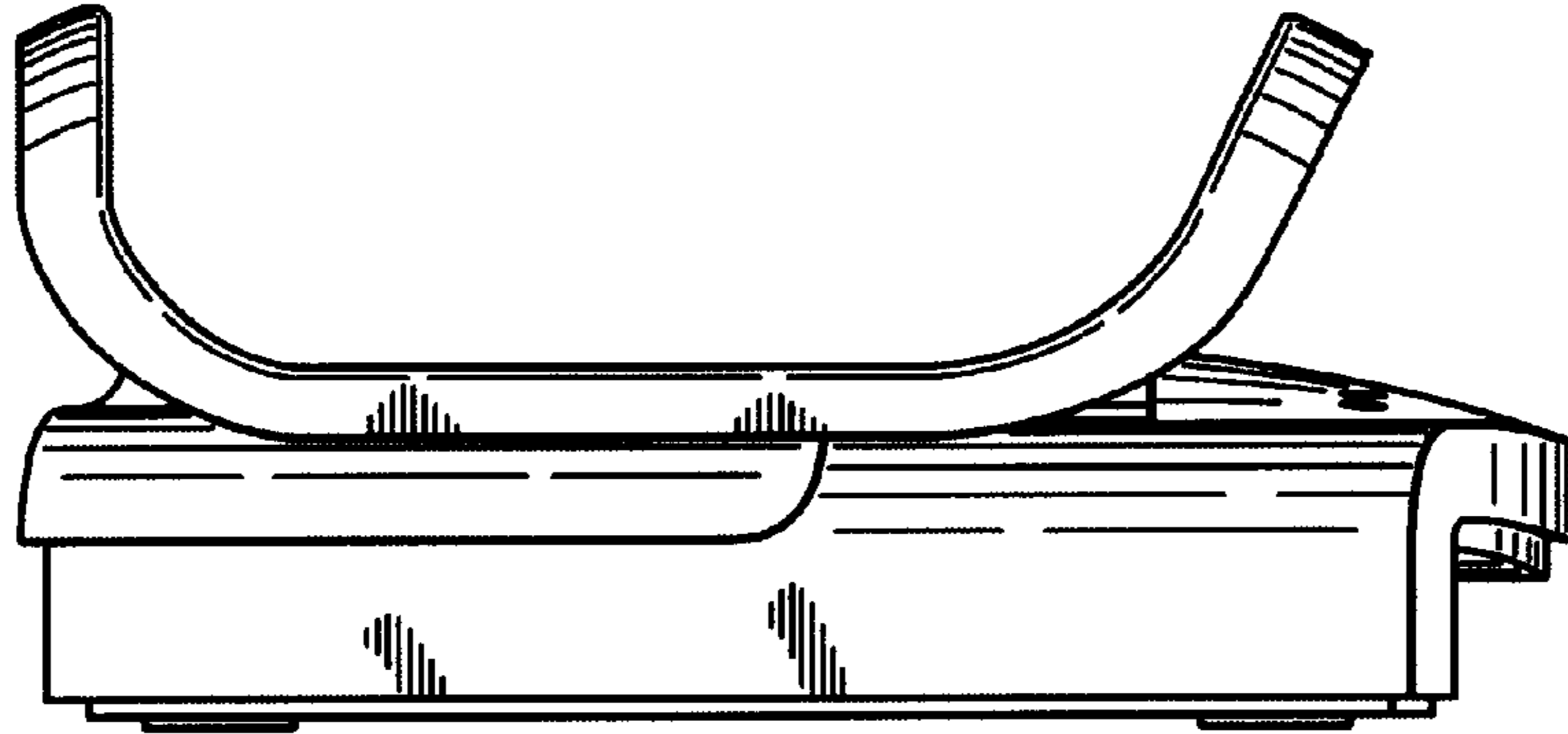


Fig. 7

