

US00D522392S

(12) **United States Design Patent**
Tse

(10) **Patent No.:** **US D522,392 S**

(45) **Date of Patent:** **** Jun. 6, 2006**

(54) **ELECTRONIC SCALE**

D367,015 S * 2/1996 Brooks, Jr. D10/91

(75) Inventor: **Pui Hung Tse**, Hong Kong (CN)

* cited by examiner

(73) Assignee: **Kwonnie Industries Limited**, Hong Kong (CN)

Primary Examiner—Antoine D. Davis

(**) Term: **14 Years**

(57) **CLAIM**

The ornamental design for an electronic scale, as shown.

(21) Appl. No.: **29/221,272**

DESCRIPTION

(22) Filed: **Jan. 14, 2005**

(51) **LOC (8) Cl.** **10-04**

The claimed electronic scale is used for weighing things.

(52) **U.S. Cl.** **D10/91**

FIG. 1 is a front elevational view of an electronic scale showing my new design;

(58) **Field of Classification Search** D10/91-92;
33/512; 177/3-4, 25.11-25.19, 177, 180,
177/181, 199, 210 R, 238-245, 262, DIG. 3-DIG. 4;
705/401-411

FIG. 2 is a rear elevational view thereof;

FIG. 3 is a left side view thereof;

FIG. 4 is a right side view thereof;

FIG. 5 is a top plan view thereof;

FIG. 6 is a bottom plan view thereof; and,

FIG. 7 is a perspective view thereof.

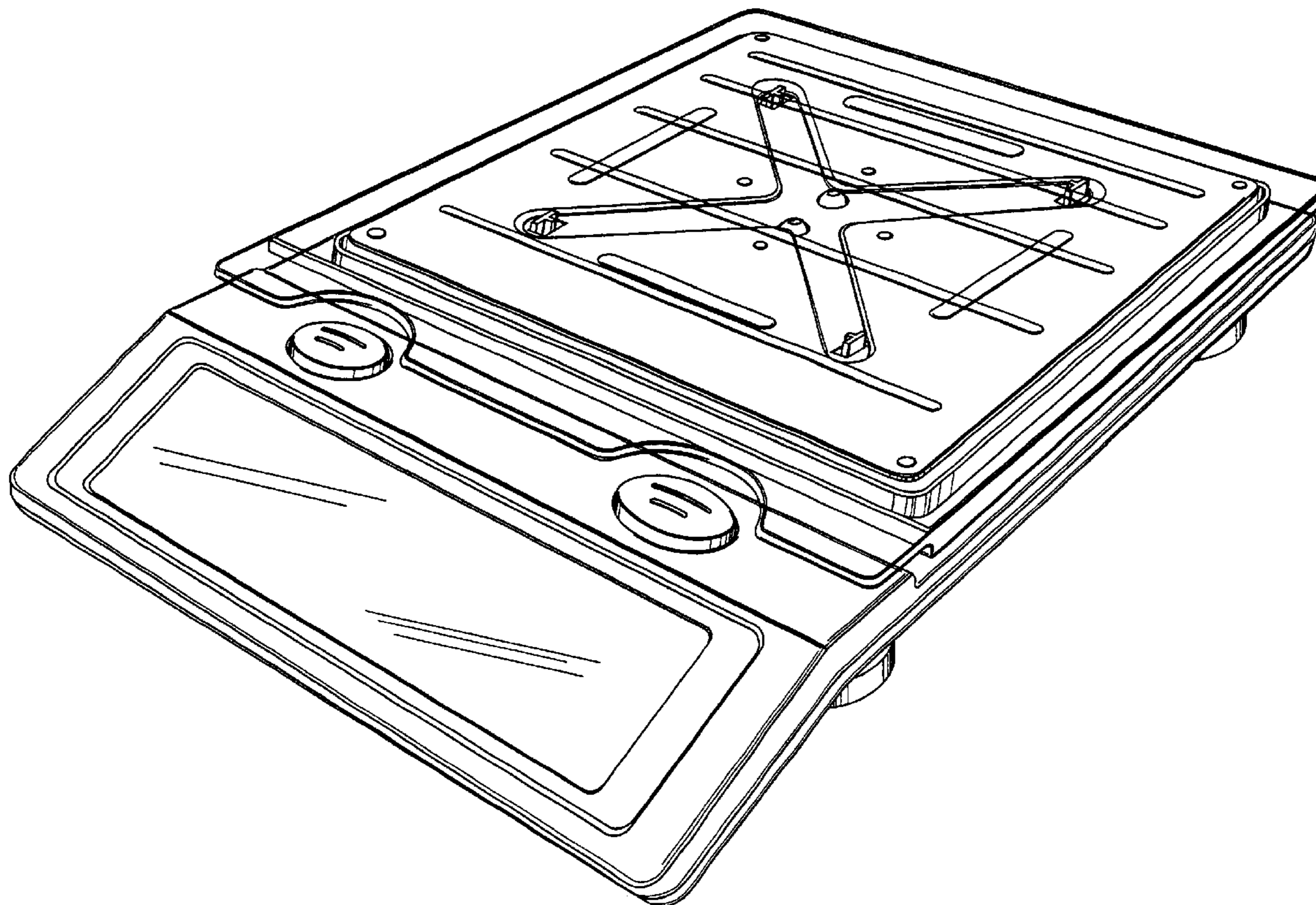
See application file for complete search history.

(56) **References Cited**

U.S. PATENT DOCUMENTS

D366,002 S * 1/1996 Brooks, Jr. D10/91

1 Claim, 5 Drawing Sheets



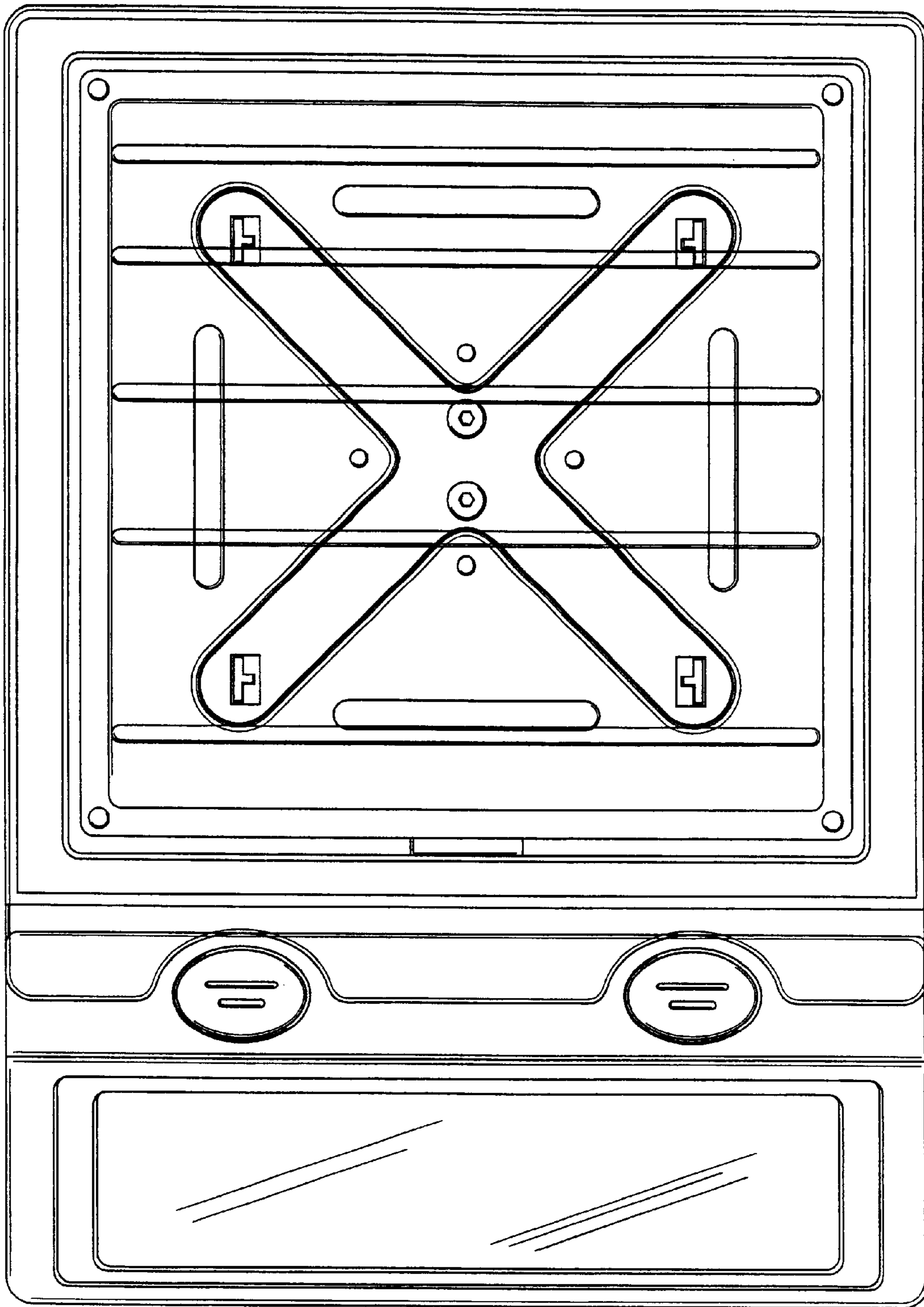


FIG. 1

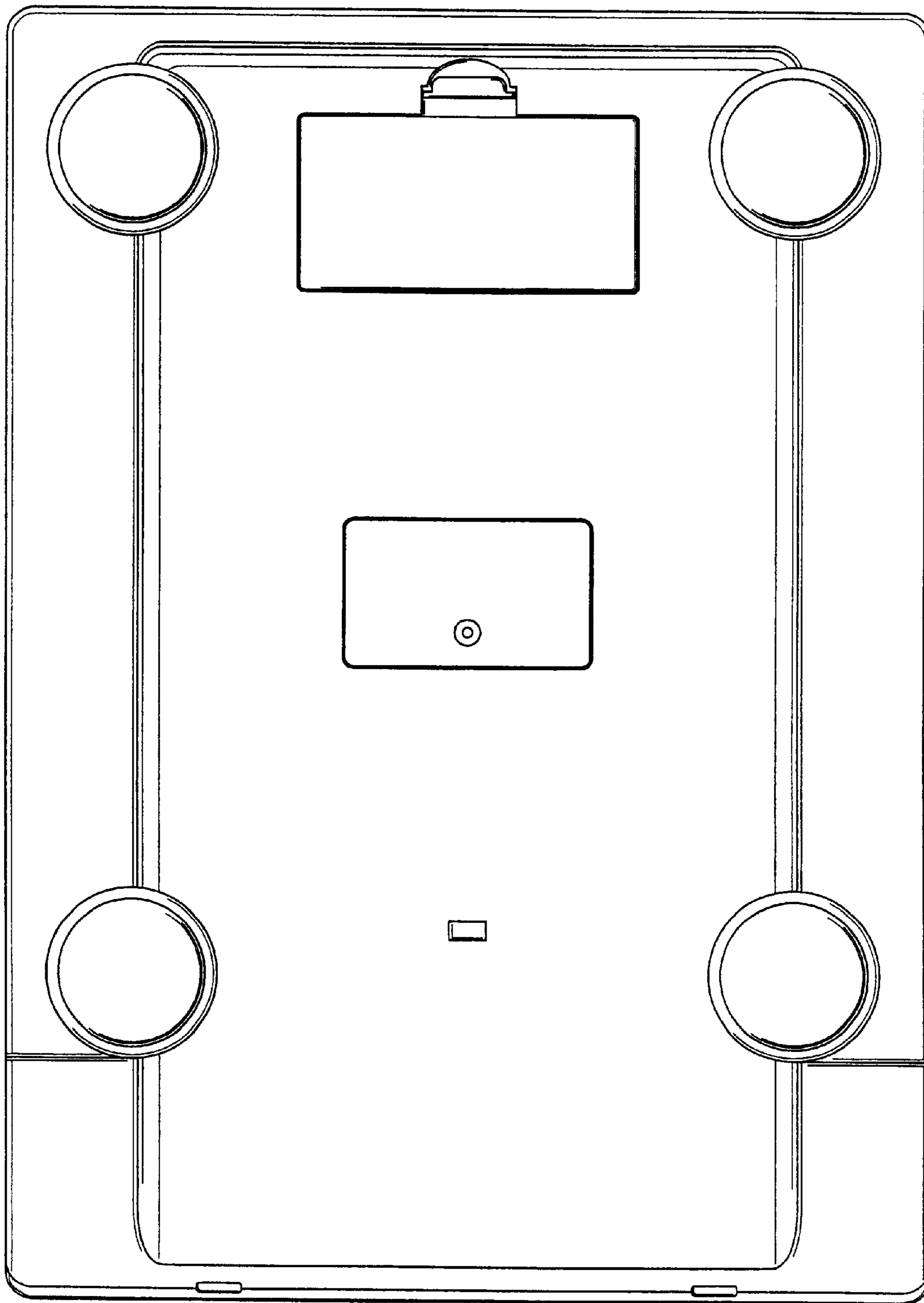


FIG. 2

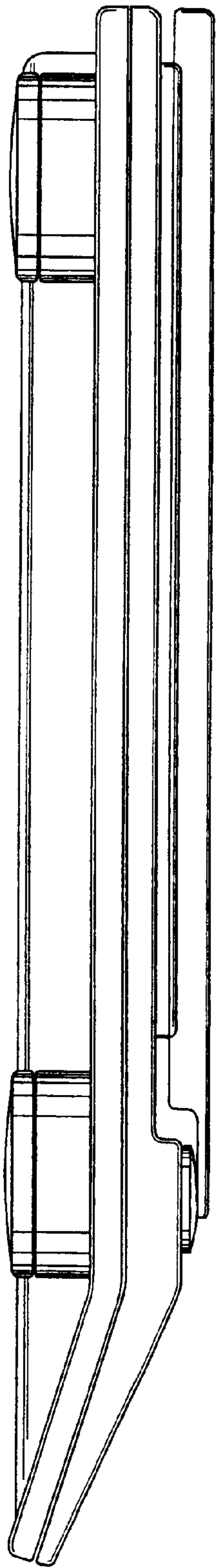


FIG. 3

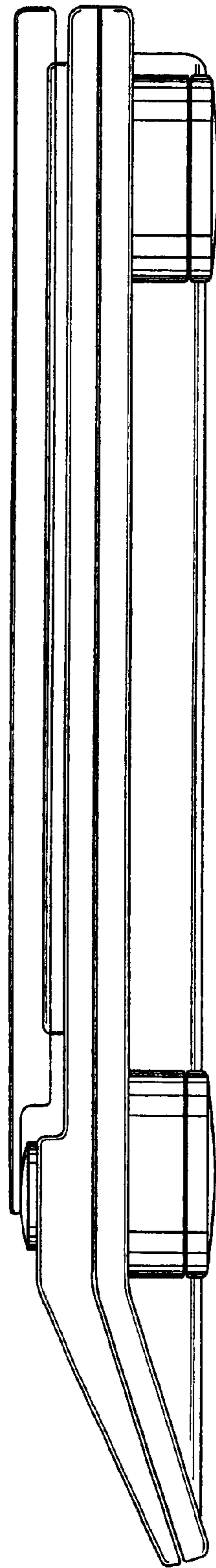


FIG. 4

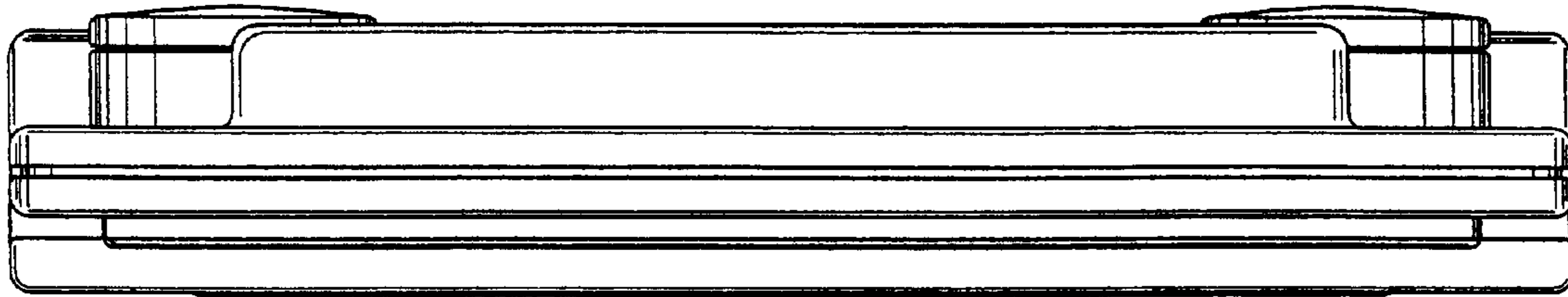


FIG. 5

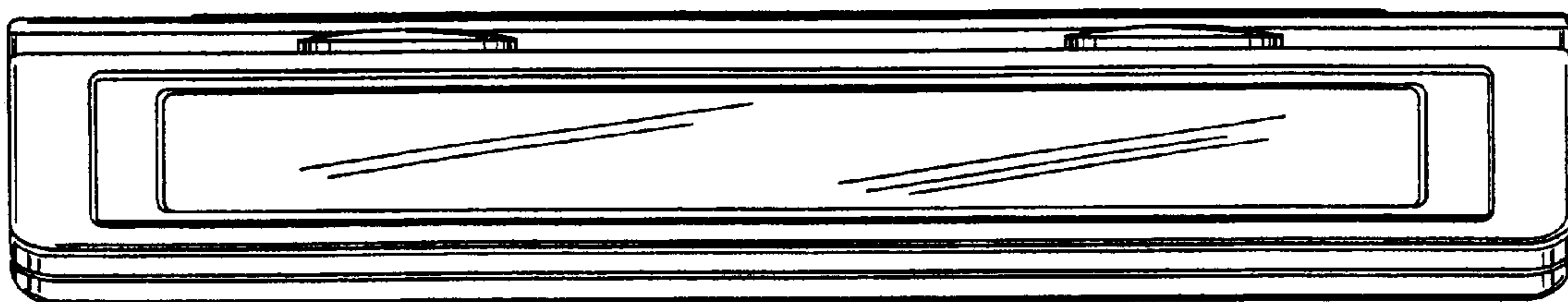


FIG. 6

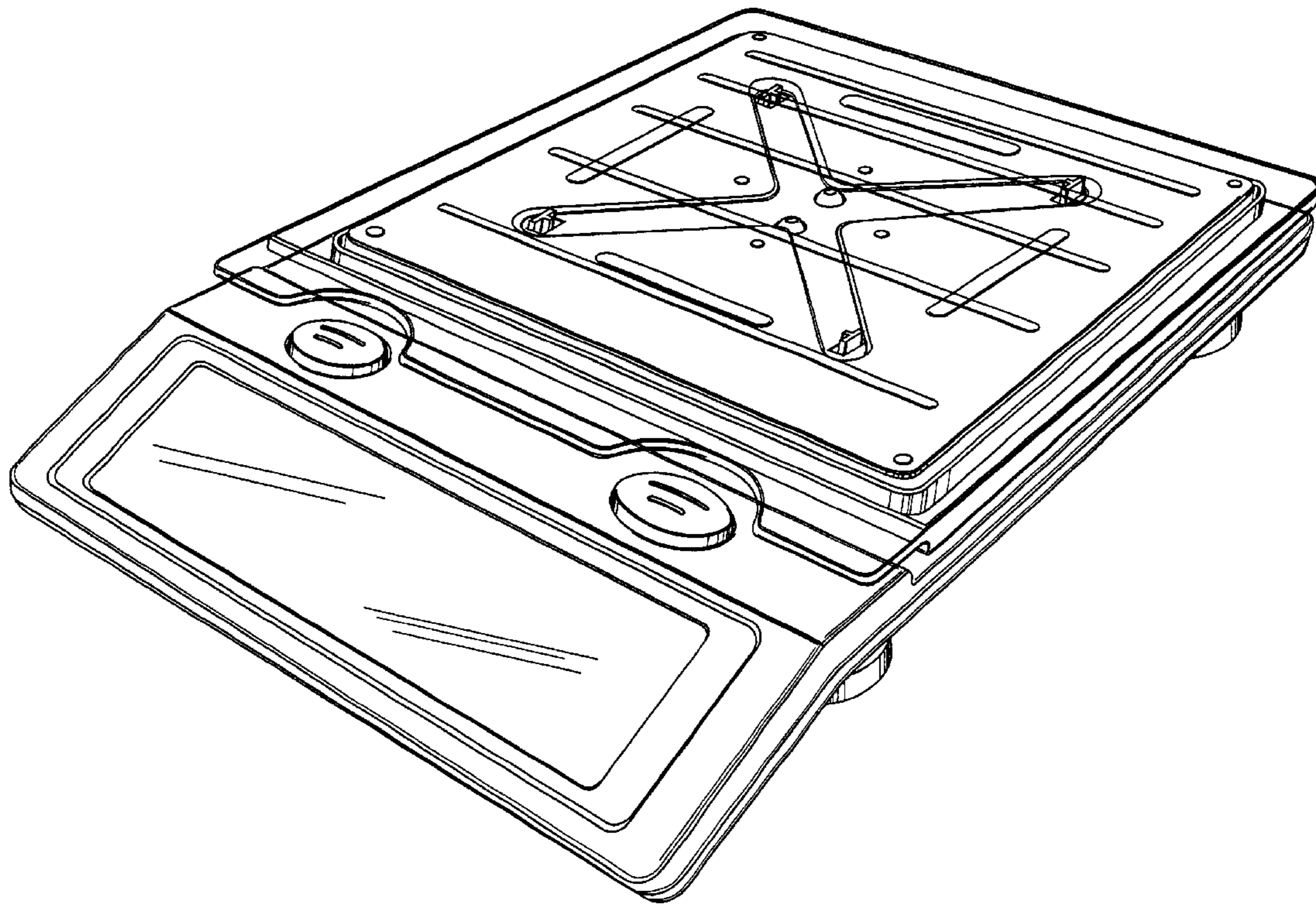


FIG. 7