

US00D522383S

(12) **United States Design Patent**  
**Bedol et al.**

(10) **Patent No.:** **US D522,383 S**  
(45) **Date of Patent:** **\*\* Jun. 6, 2006**

(54) **DESK CLOCK**

(75) Inventors: **Mark A. Bedol**, P.O. Box 1268,  
Claremont, CA (US) 91711; **Dave**  
**Schultze**, Pasadena, CA (US)

(73) Assignee: **Mark A. Bedol**, Claremont, CA (US)

(\*\*) Term: **14 Years**

(21) Appl. No.: **29/233,621**

(22) Filed: **Jul. 7, 2005**

(51) **LOC (8) Cl.** ..... **10-01**

(52) **U.S. Cl.** ..... **D10/2; D10/14; D10/28**

(58) **Field of Classification Search** ..... D10/1-29,  
D10/122-132, 52, 53, 57; 368/276-278,  
368/280, 285, 223, 10, 316, 317, 28-30,  
368/239-242, 244, 262, 82-84, 263, 256;  
D19/77, 83

See application file for complete search history.

(56) **References Cited**

**U.S. PATENT DOCUMENTS**

D40,582 S \* 3/1910 Numan ..... D19/79  
D104,243 S \* 4/1937 Chenoweth ..... D10/2  
D113,519 S \* 2/1939 Meyer ..... D10/3  
D151,959 S \* 12/1948 Bowers ..... D10/53  
D160,077 S \* 9/1950 Eaves ..... D10/4

D187,714 S \* 4/1960 Taylor ..... D10/53  
D192,480 S \* 3/1962 Lowe ..... D10/53  
3,845,614 A \* 11/1974 Christ ..... 368/253  
D250,201 S \* 11/1978 Pierce ..... D19/23  
D298,953 S \* 12/1988 Roberts ..... D19/78  
D359,240 S \* 6/1995 Benton ..... D10/4  
5,537,369 A \* 7/1996 Wu ..... 368/10  
D389,069 S \* 1/1998 Steinhagen et al. .... D10/2  
D398,645 S \* 9/1998 Tsao ..... D19/64  
D452,161 S \* 12/2001 Chan ..... D10/4

\* cited by examiner

*Primary Examiner*—Lucy Lieberman

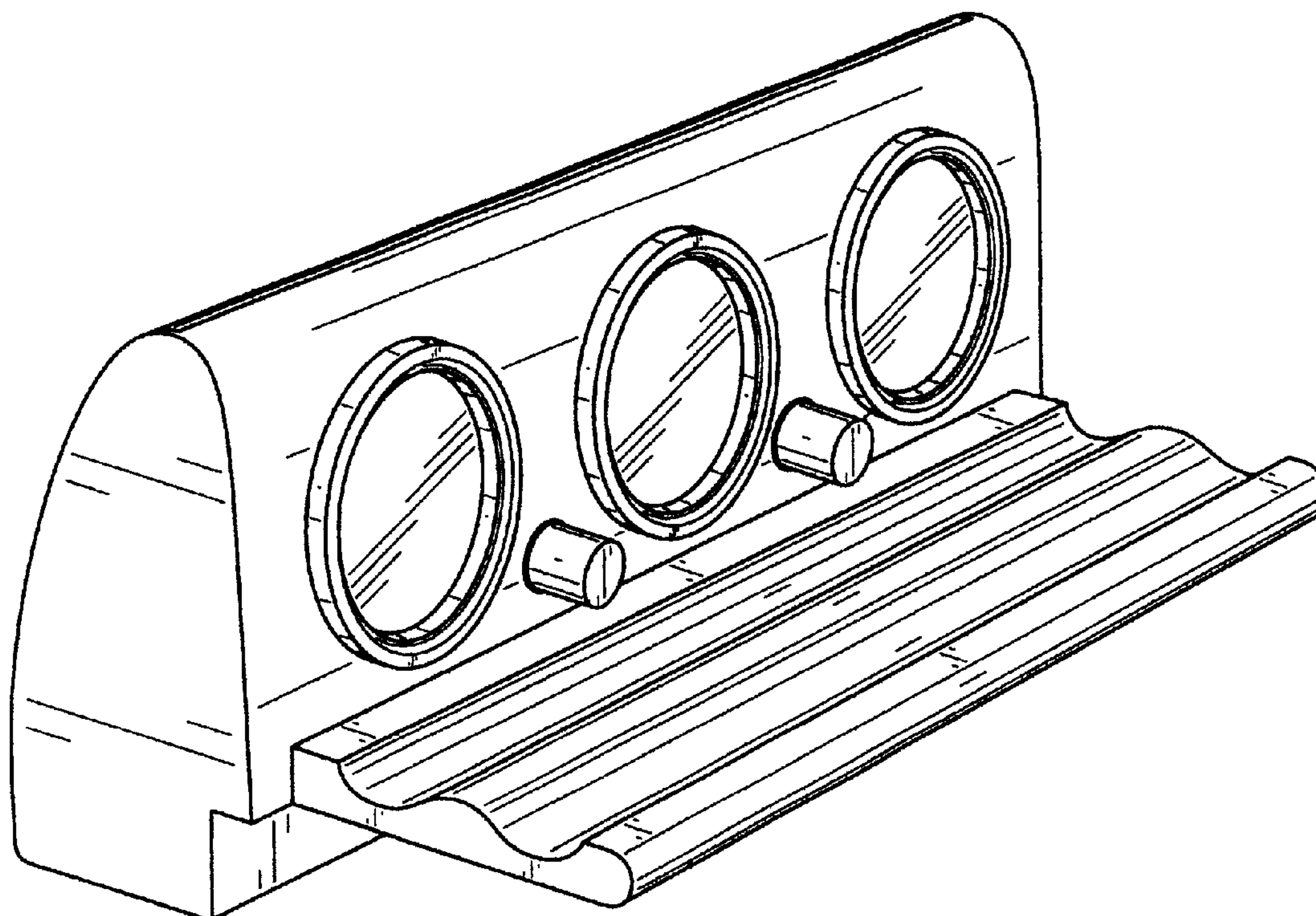
(57) **CLAIM**

I claim the ornamental design for a desk clock, as shown and described.

**DESCRIPTION**

FIG. 1 is a top, front and left side perspective view of a desk clock showing our new design;  
FIG. 2 is a front elevation view thereof,  
FIG. 3 is a rear elevation view thereof,  
FIG. 4 is a left side view thereof,  
FIG. 5 is a right side view thereof,  
FIG. 6 is a top plan view thereof; and,  
FIG. 7 is a bottom plan view thereof.

**1 Claim, 6 Drawing Sheets**



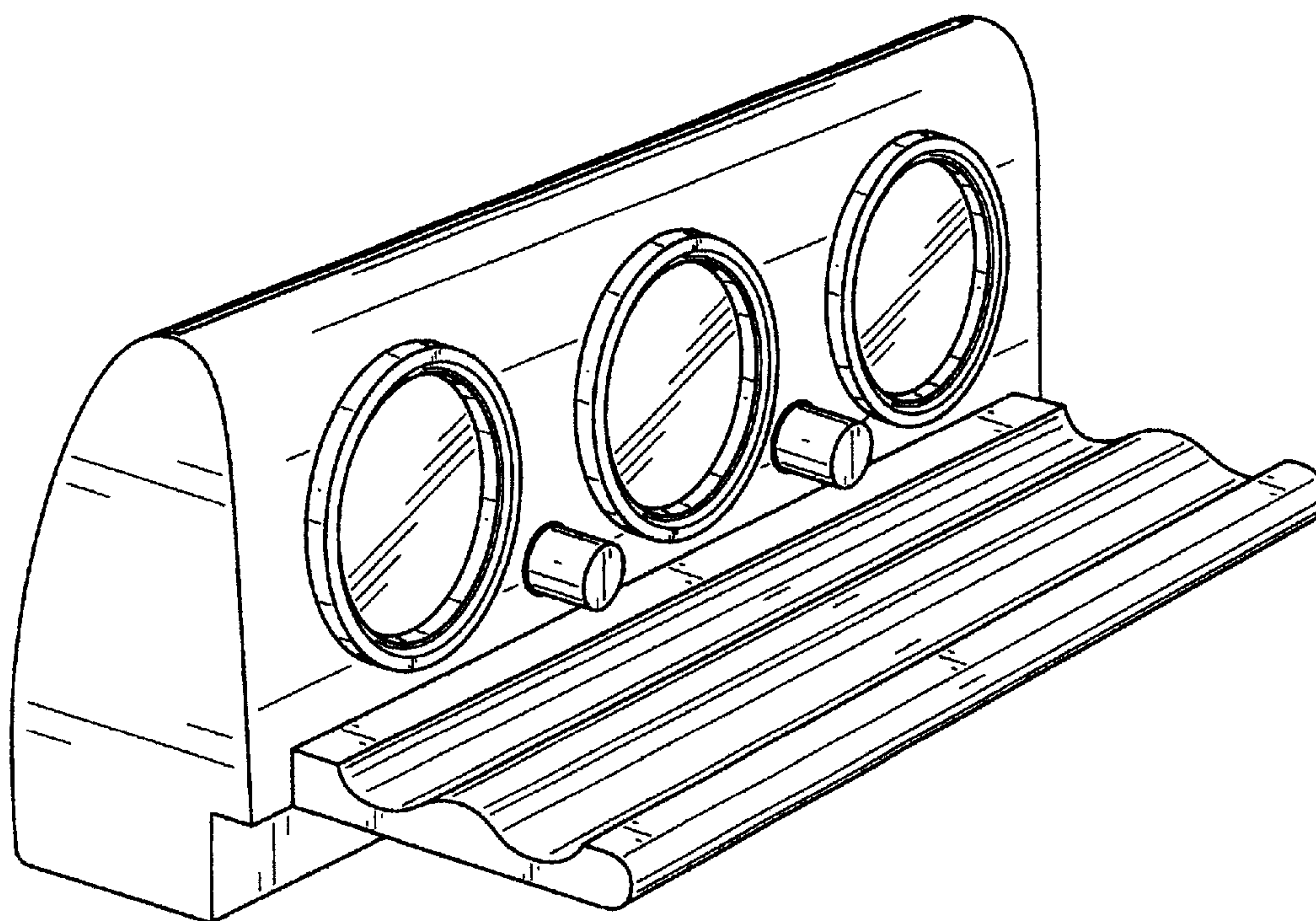


FIG. 1

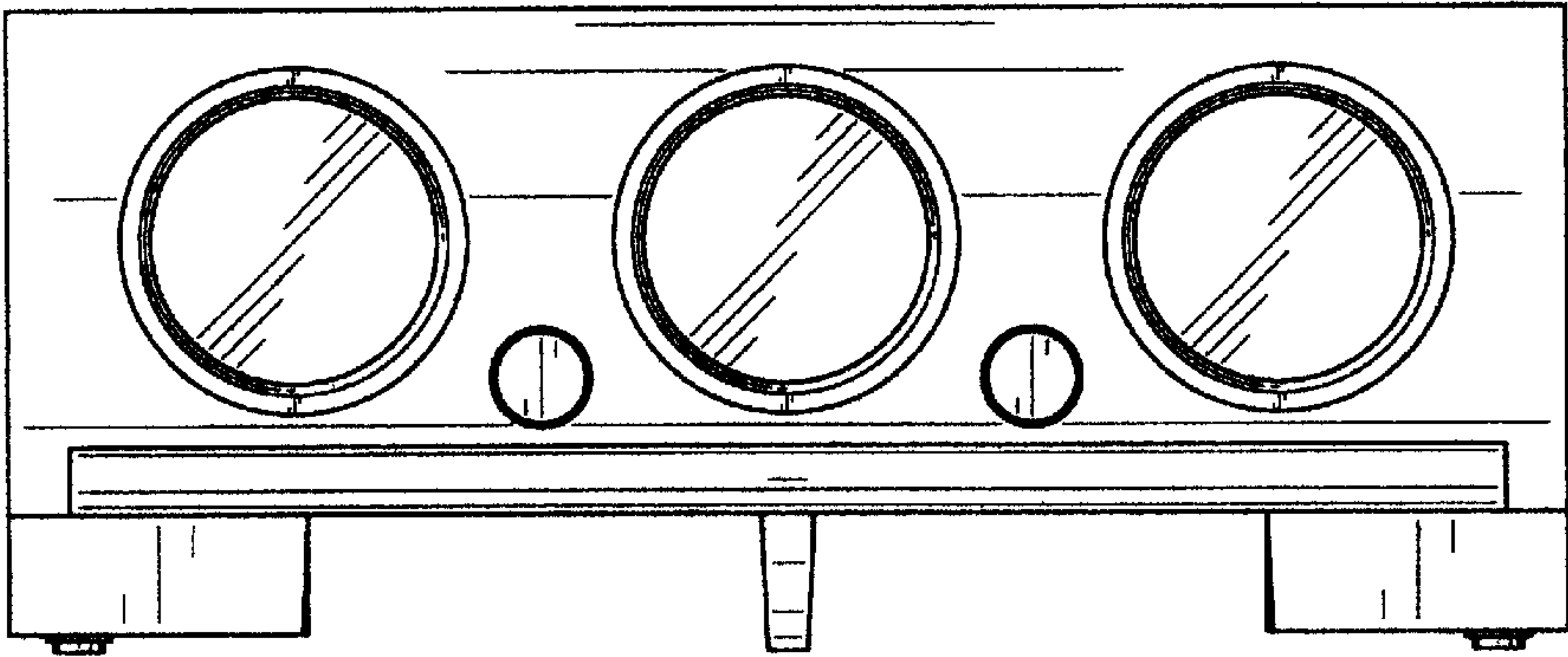


FIG. 2

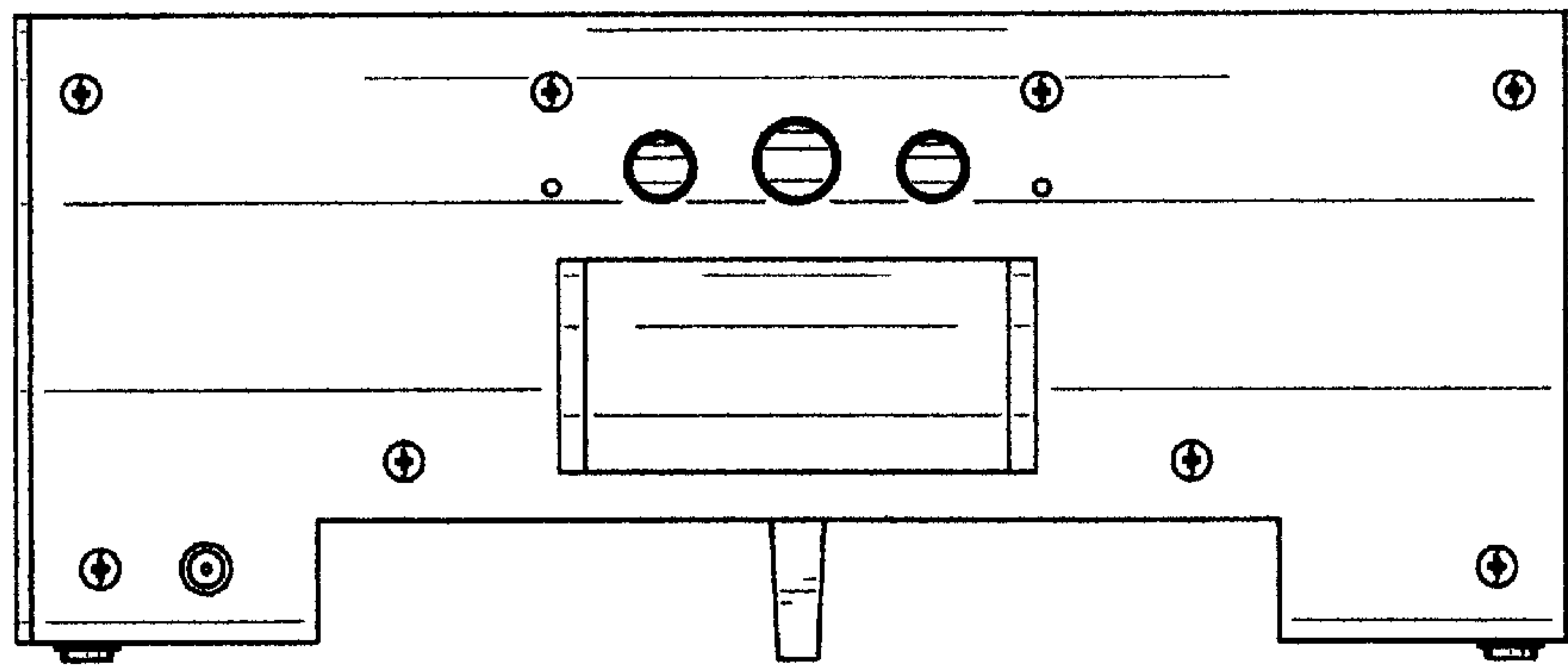


FIG. 3

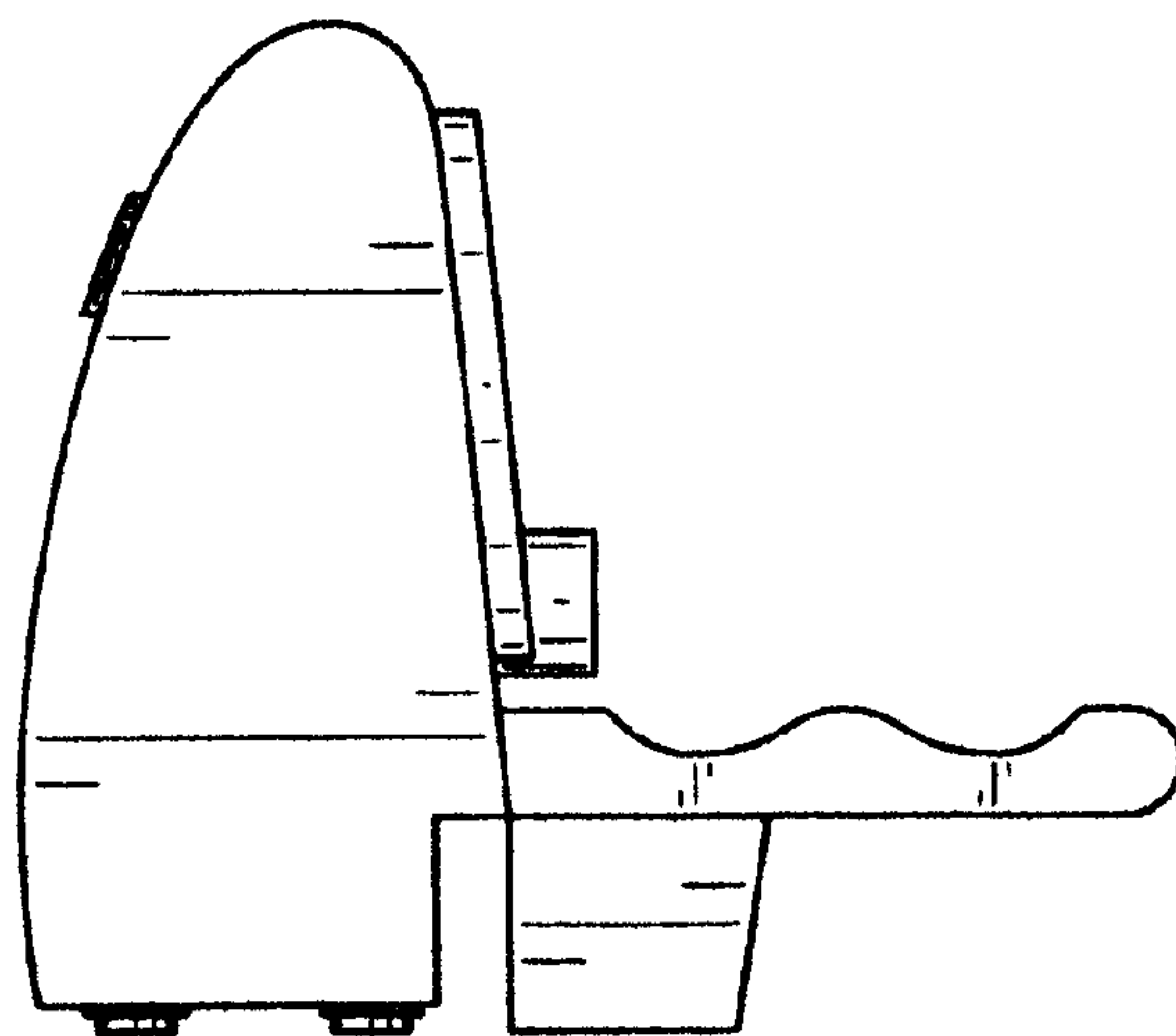


FIG. 4

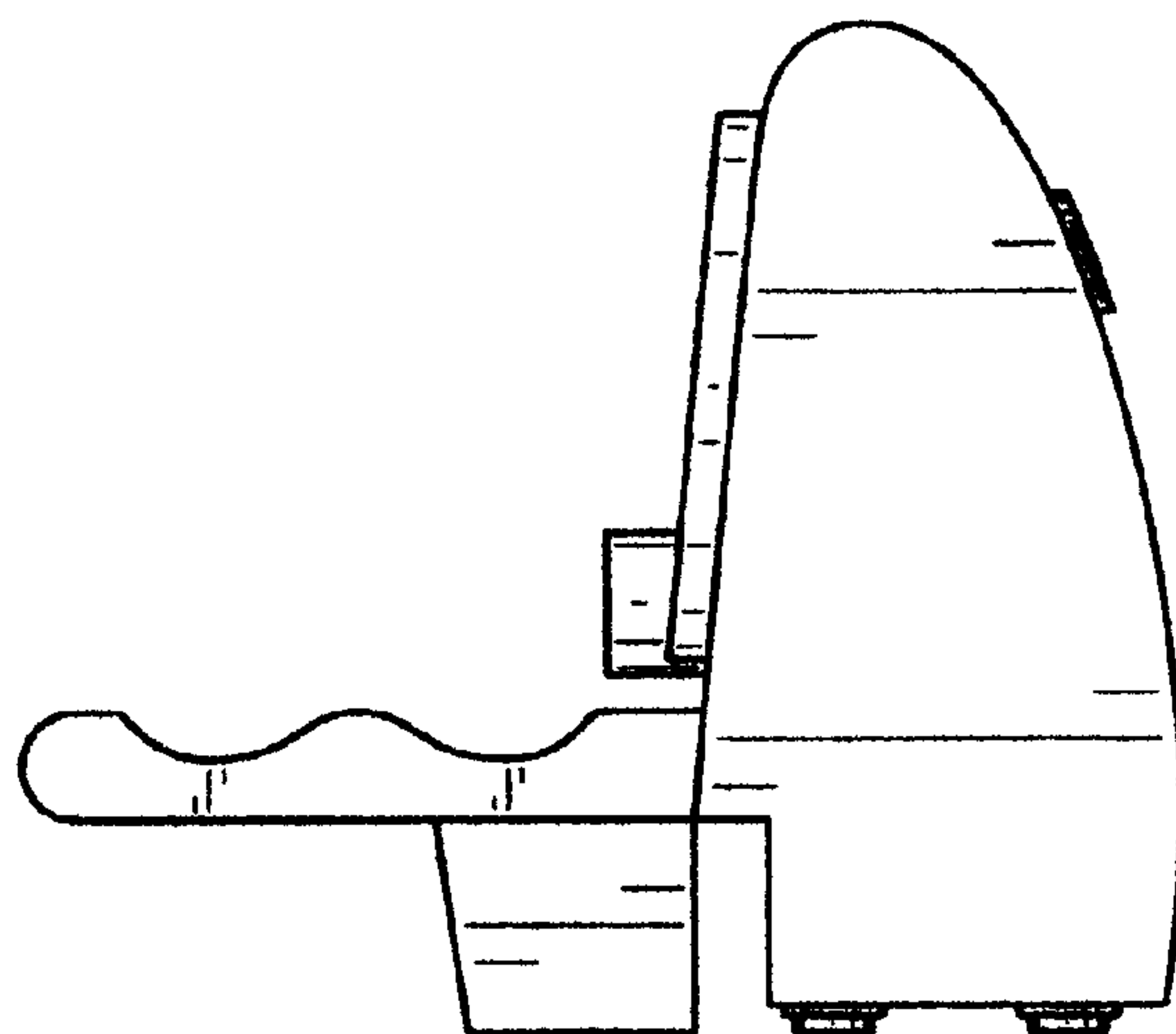


FIG. 5

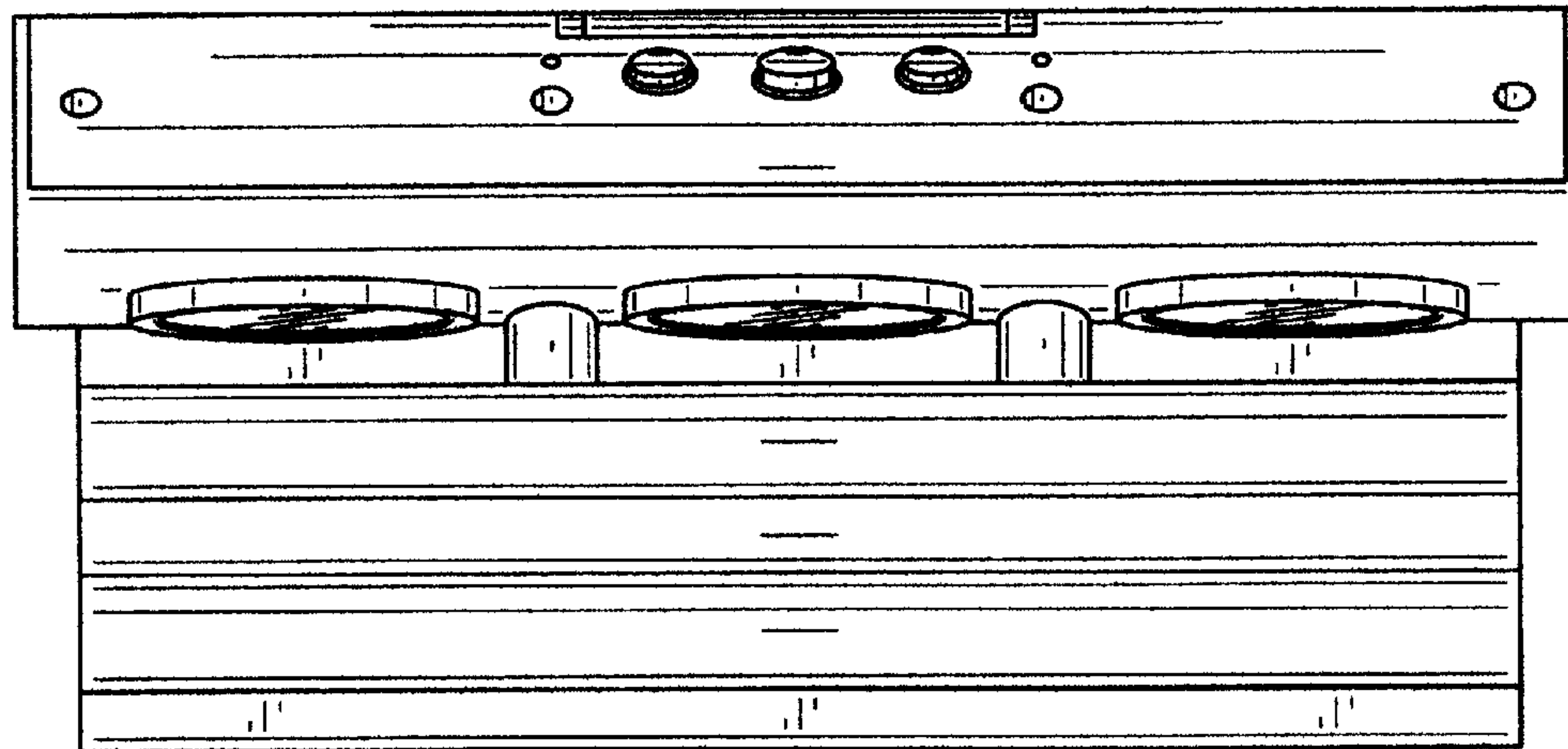


FIG. 6



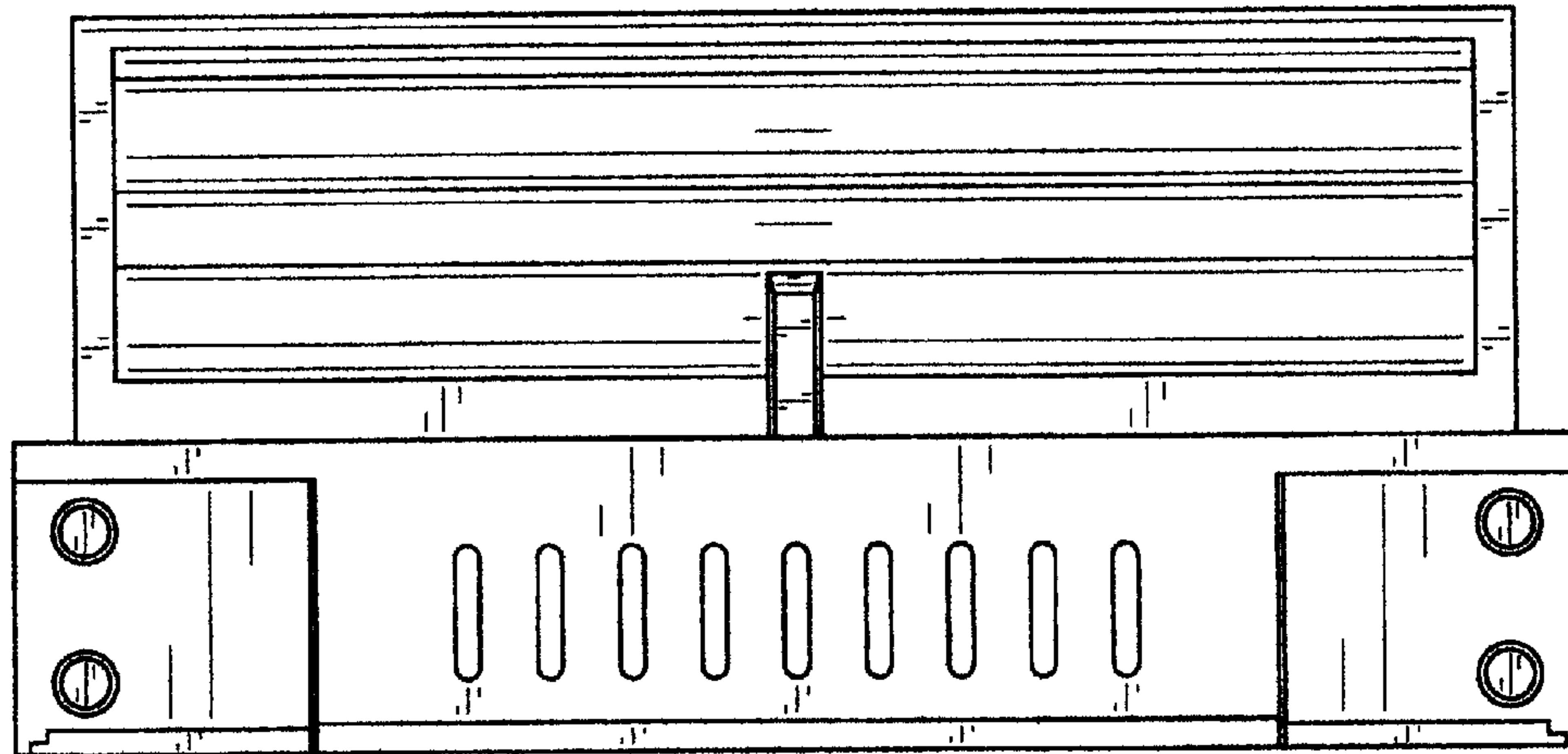


FIG. 7