



US00D522376S

(12) **United States Design Patent**
Hales

(10) **Patent No.:** **US D522,376 S**

(45) **Date of Patent:** **** Jun. 6, 2006**

(54) **LEAF SHAPED BOX**

(75) Inventor: **John M. Hales**, York (GB)

(73) Assignee: **Societe des Produits Nestle S.A.**,
Vevey (CH)

(**) Term: **14 Years**

(21) Appl. No.: **29/198,805**

(22) Filed: **Feb. 2, 2004**

(51) **LOC (8) Cl.** **09-01**

(52) **U.S. Cl.** **D9/658**; D9/414; D7/613

(58) **Field of Classification Search** D7/539,
D7/611, 613; D11/147, 151; D9/658-600,
D9/414; 206/457; 215/379-385, 400
See application file for complete search history.

(56) **References Cited**

U.S. PATENT DOCUMENTS

209,463 A	10/1878	Creasey	
D26,387 S	* 12/1896	Wolfsheim	D9/414
979,701 A	12/1910	Reid	
D53,624 S	* 7/1919	Woodward	D9/414
D58,905 S	* 9/1921	Harrington	D9/414
1,430,643 A	10/1922	Hamburger	
D65,410 S	* 8/1924	Kaplan	D11/117
2,114,052 A	4/1938	Kincade, Jr.	
2,276,765 A	3/1942	De Gree	
D153,052 S	* 3/1949	Walker	D11/151
D167,087 S	* 6/1952	Kyte	D7/539
D184,473 S	* 2/1959	Ruix de Lahoud	D9/414
D194,514 S	* 2/1963	Rau	D9/414
3,887,839 A	6/1975	Otaerd	

D238,473 S	* 1/1976	Logue	D7/539
4,143,805 A	3/1979	Sutton	
D346,325 S	* 4/1994	Mansau	D9/658
D347,572 S	* 6/1994	Mansau	D9/658
D440,827 S	4/2001	Indekeu	
D473,136 S	4/2003	McLeish	
D473,429 S	* 4/2003	Osborne et al.	D7/611
D482,834 S	11/2003	Bennett	
D483,232 S	12/2003	Liu	

* cited by examiner

Primary Examiner—Sandra L. Morris

(74) *Attorney, Agent, or Firm*—Denton L. Anderson;
Sheldon & Mak

(57) **CLAIM**

The ornamental design for a leaf shaped box, as shown and described.

DESCRIPTION

FIG. 1 is an exploded perspective view of the leaf shaped box of the invention;

FIG. 2 is a perspective of the leaf shaped box illustrated in FIG. 1 shown with the cover of the box in place;

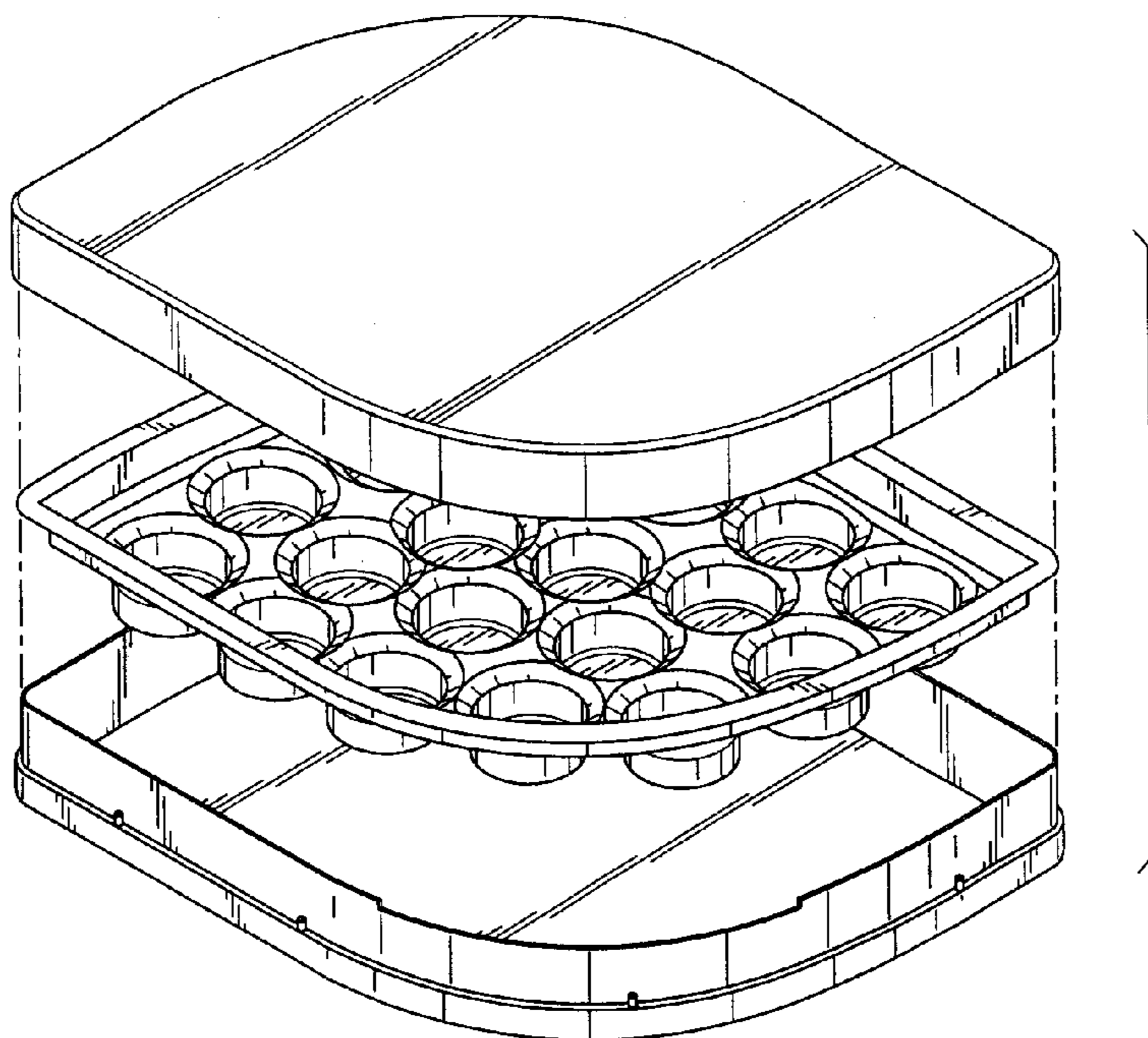
FIG. 3 is a perspective view of the leaf shaped box illustrated in FIG. 2, shown with the cover removed;

FIG. 4 is a plan view of the leaf shaped box illustrated in FIG. 2;

FIG. 5 is a first side view of the leaf shaped box illustrated in FIG. 4; and,

FIG. 6 is a second side view of the leaf shaped box illustrated in FIG. 4.

1 Claim, 2 Drawing Sheets



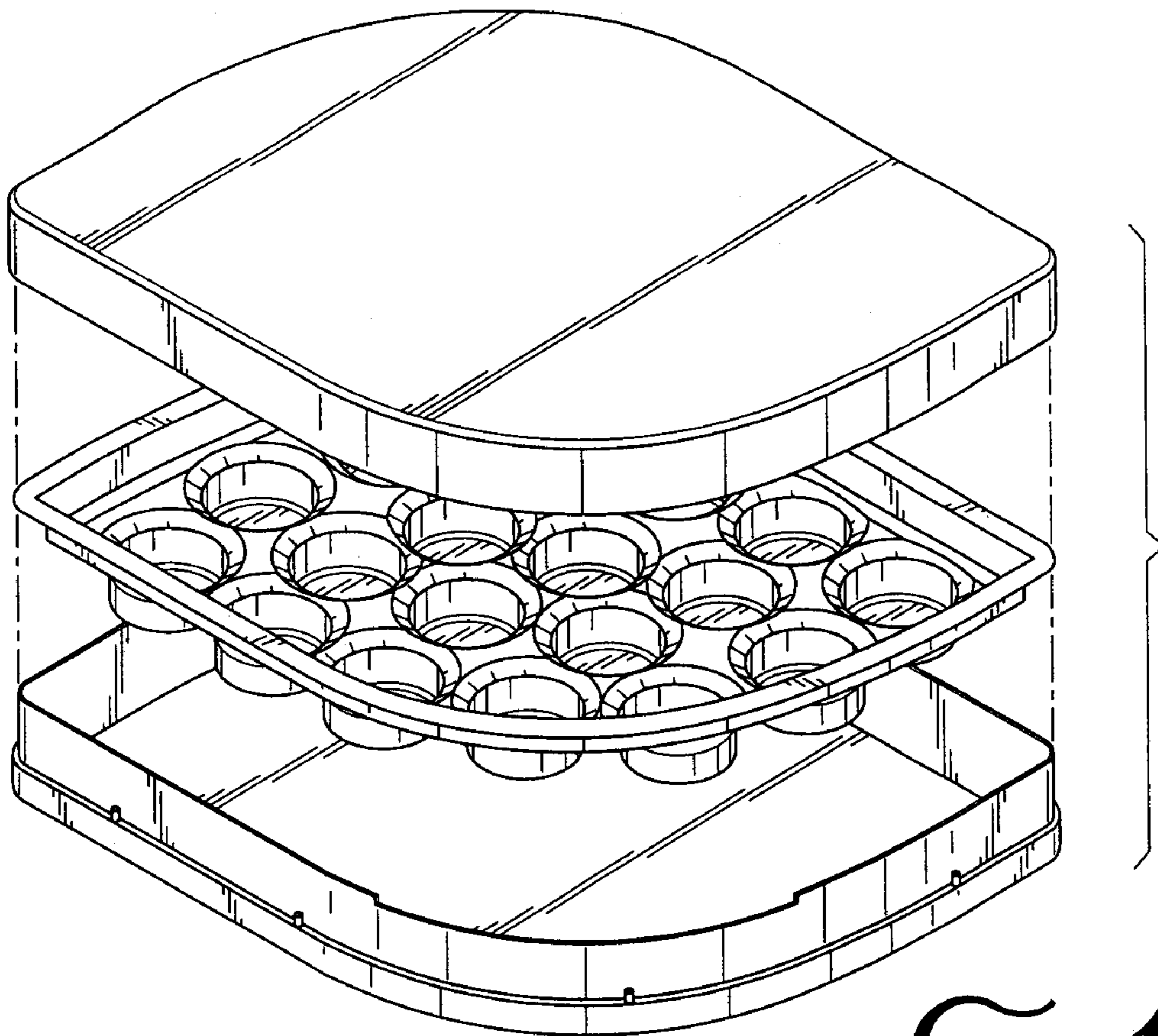


FIG. 1

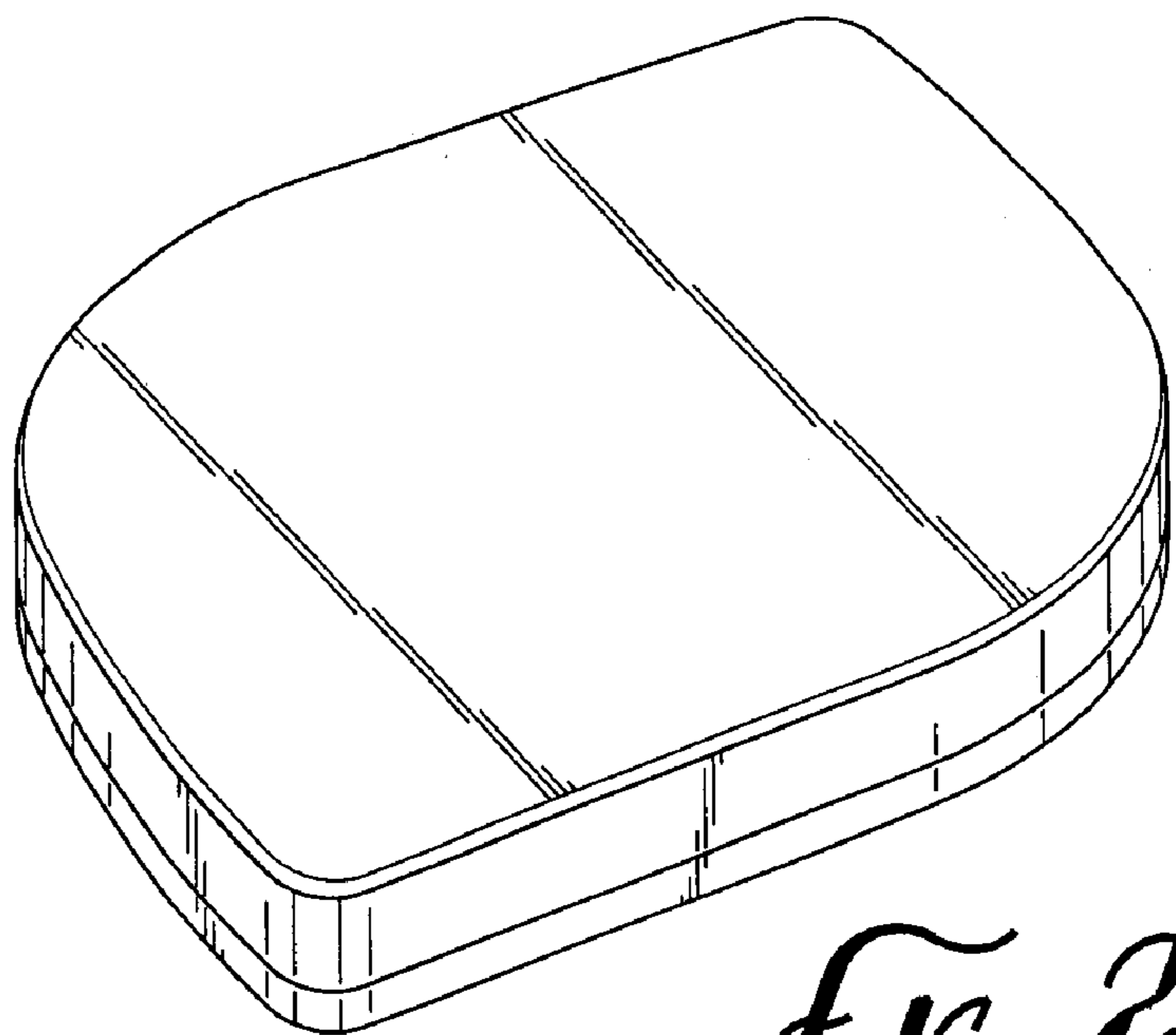


FIG. 2

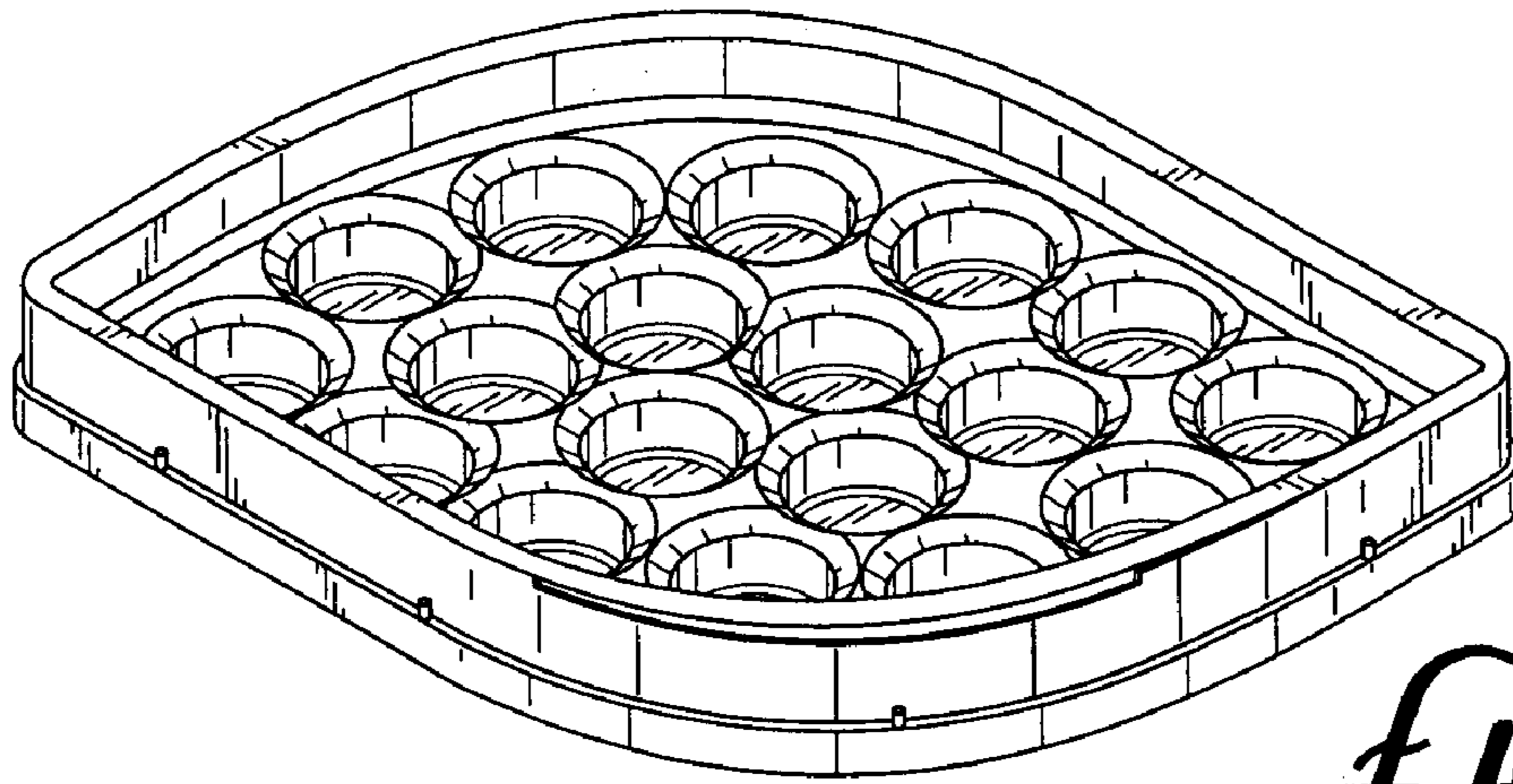


FIG. 3

FIG. 4

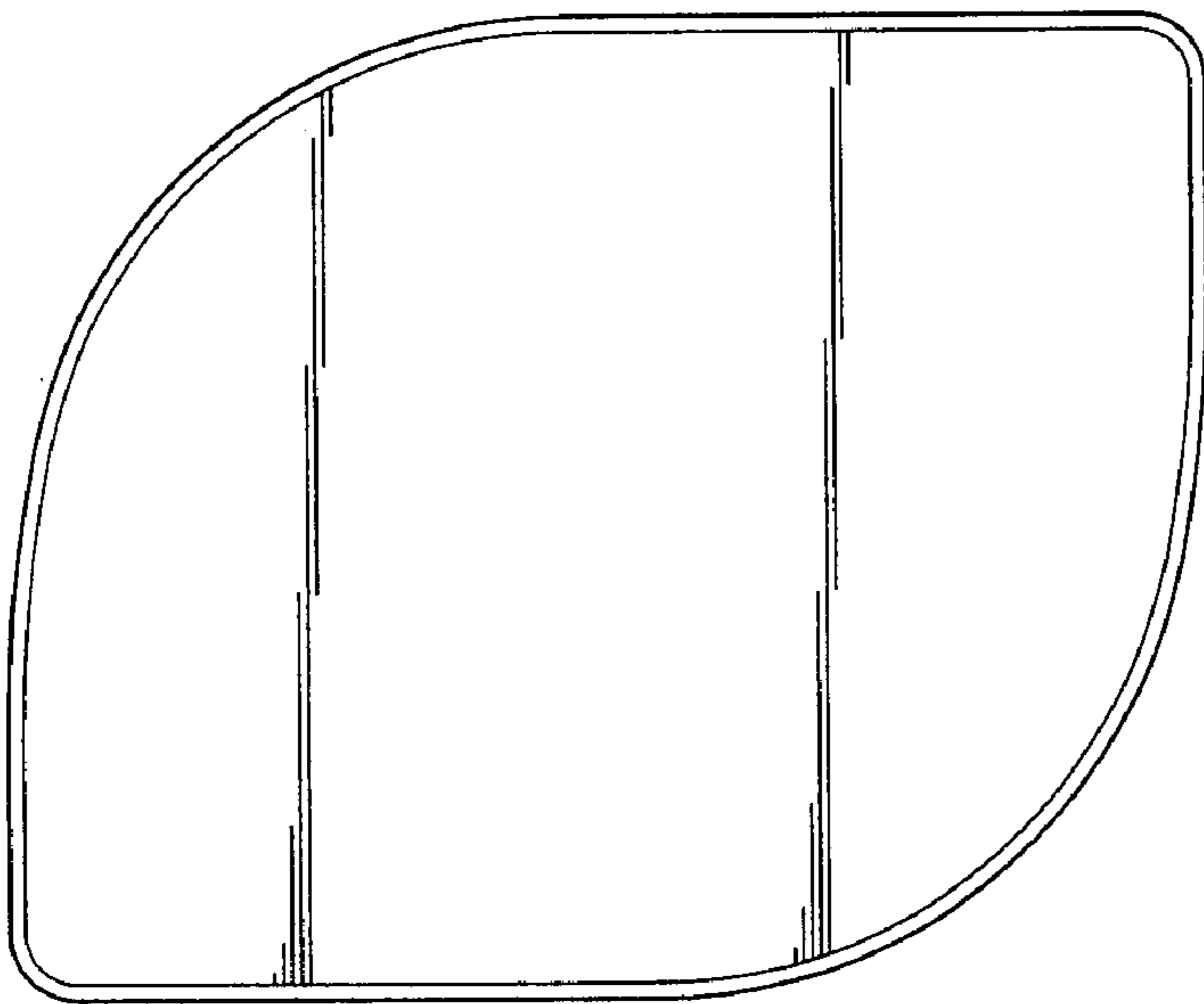


FIG. 5

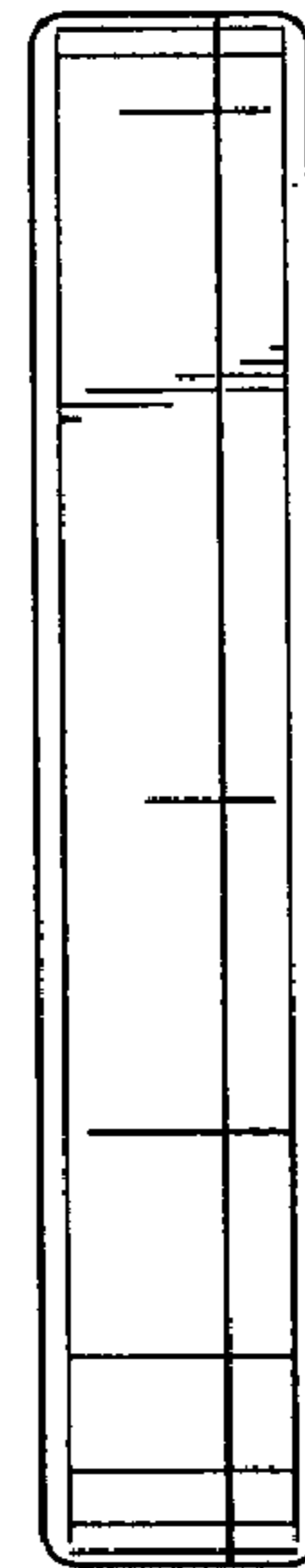


FIG. 6

