



US00D522375S

(12) **United States Design Patent**  
**Archeny**

(10) **Patent No.:** **US D522,375 S**  
(45) **Date of Patent:** **\*\* Jun. 6, 2006**

(54) **PEPPER-SHAPED CONTAINER**

(75) Inventor: **Armel Archeny**, Bouvesse-Quirieu  
(FR)

(73) Assignee: **Graham Packaging Company, L.P.**,  
York, PA (US)

(\*\*) Term: **14 Years**

(21) Appl. No.: **29/206,761**

(22) Filed: **Jun. 4, 2004**

(51) **LOC (8) Cl.** ..... **09-01**

(52) **U.S. Cl.** ..... **D9/644; D9/643; D9/521**

(58) **Field of Classification Search** ..... D7/539,  
D7/571, 594; D1/199; D9/600, 643-644,  
D9/516, 520-521; 215/379-385, 400; 206/457  
See application file for complete search history.

(56) **References Cited**

**U.S. PATENT DOCUMENTS**

D246,509 S	*	11/1977	Hytken	.....	D9/643
D286,747 S	*	11/1986	Kostanecki	.....	D9/521
D355,596 S	*	2/1995	Weder et al.	.....	D9/644
D402,545 S	*	12/1998	Kerdoon et al.	.....	D9/521
D469,814 S	*	2/2003	Wells et al.	.....	D20/29
D485,167 S	*	1/2004	Chan	.....	D9/643

\* cited by examiner

*Primary Examiner*—Sandra L. Morris

(74) *Attorney, Agent, or Firm*—Venable LLP; James R. Burdett; Keith G. Haddaway

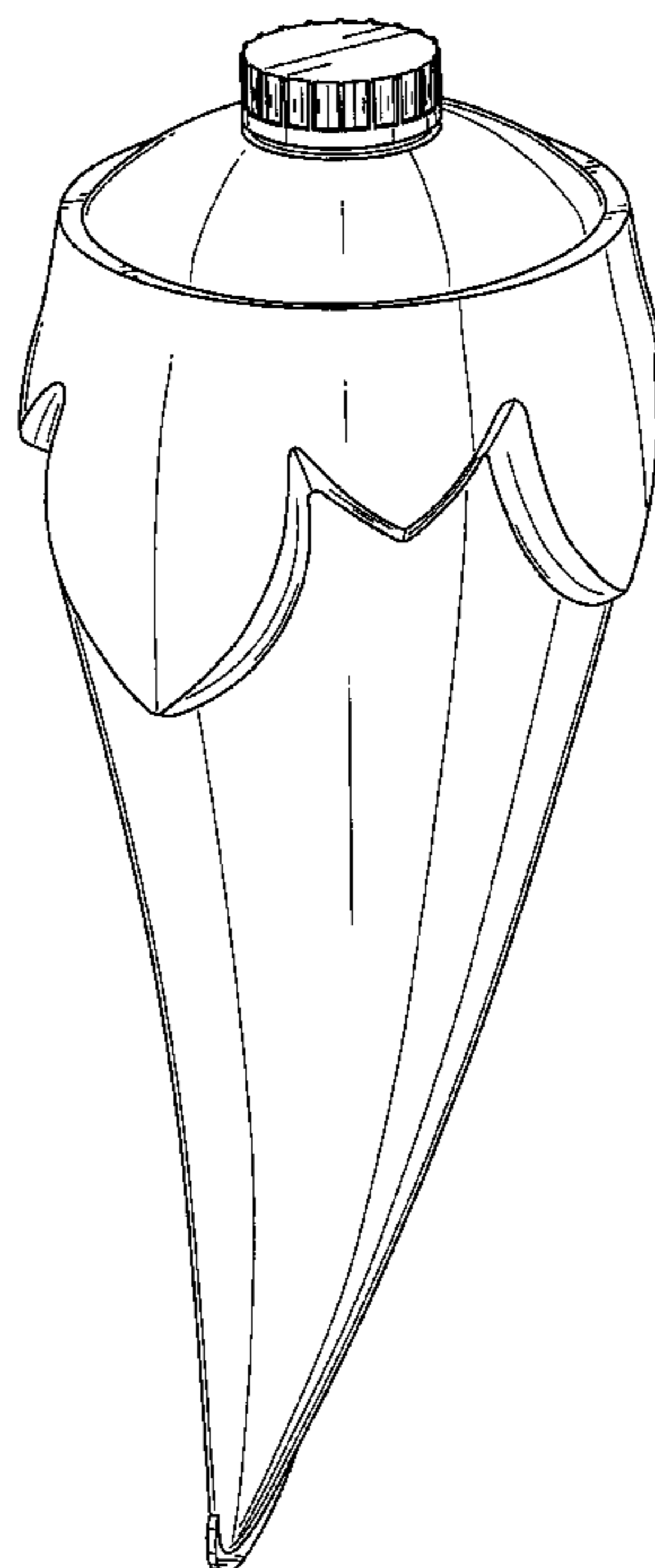
(57) **CLAIM**

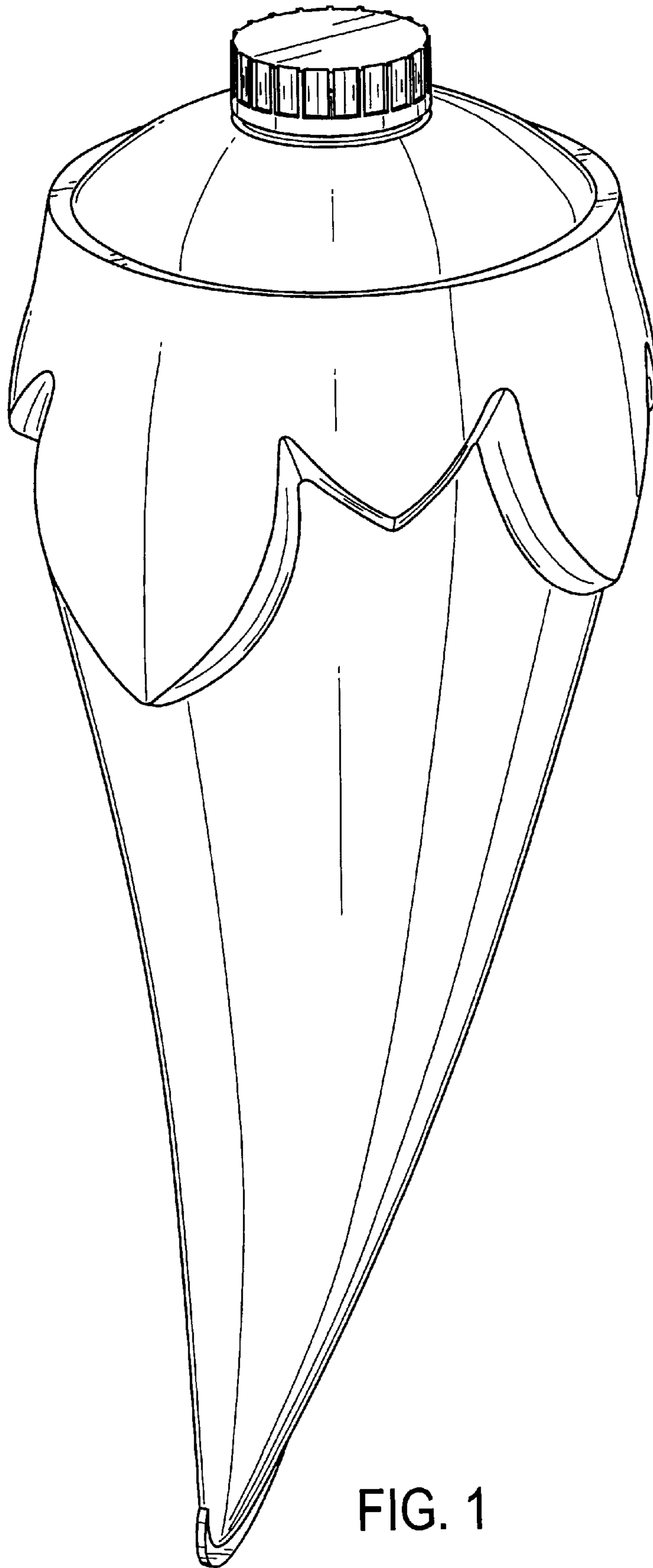
The ornamental design for a pepper-shaped container, as shown and described.

**DESCRIPTION**

FIG. 1 is a perspective view of a first embodiment of the container with the dome extended;  
 FIG. 2 is a front view of a first embodiment of the container with the dome extended;  
 FIG. 3 is back view of a first embodiment of the container with the dome extended;  
 FIG. 4 is right side view of a first embodiment of the container with the dome extended;  
 FIG. 5 is left side view of a first embodiment of the container with the dome extended;  
 FIG. 6 is a top view of a first embodiment of the container with the dome extended;  
 FIG. 7 is a bottom view of a first embodiment of the container with the dome extended;  
 FIG. 8 is a perspective view of a second embodiment of the container with the dome retracted;  
 FIG. 9 is a front view of a second embodiment of the container with the dome retracted;  
 FIG. 10 is back view of a second embodiment of the container with the dome retracted;  
 FIG. 11 is right side view of a second embodiment of the container with the dome retracted;  
 FIG. 12 is left side view of a second embodiment of the container with the dome retracted;  
 FIG. 13 is a top view of a second embodiment of the container with the dome retracted; and,  
 FIG. 14 is a bottom view of a second embodiment of the container with the dome retracted.

**1 Claim, 14 Drawing Sheets**





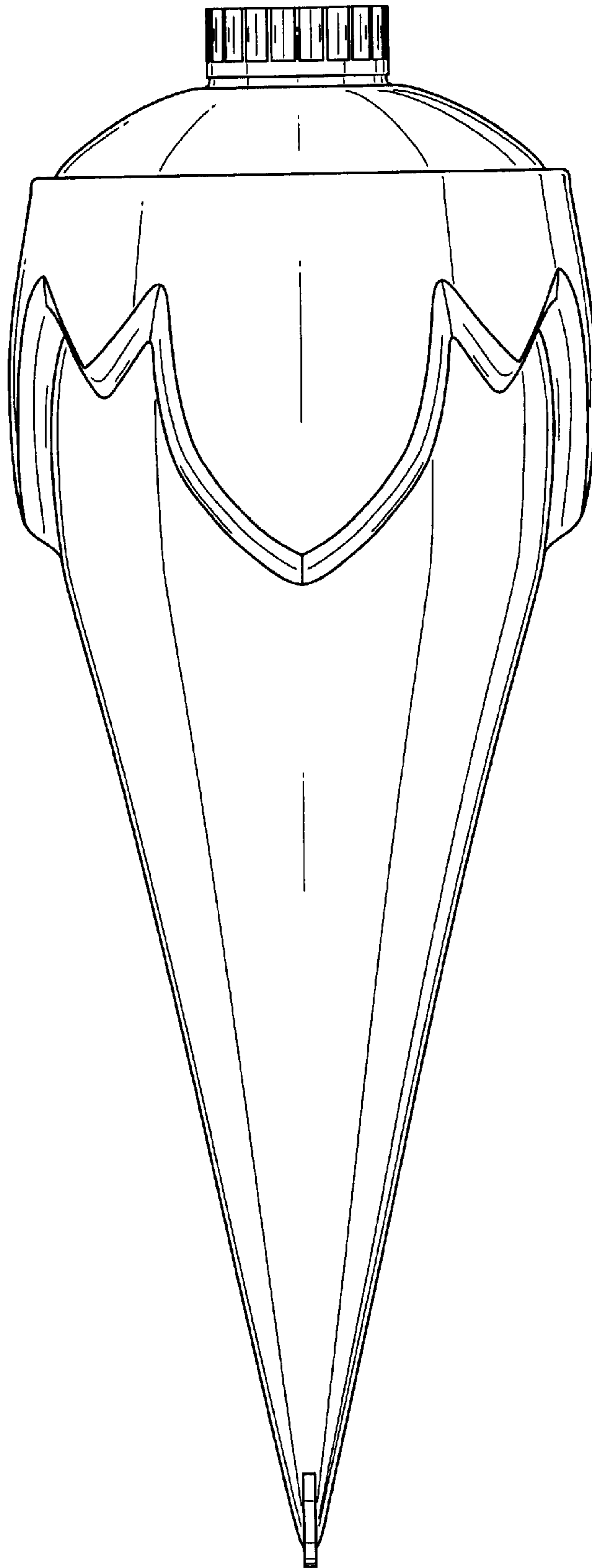


FIG. 2

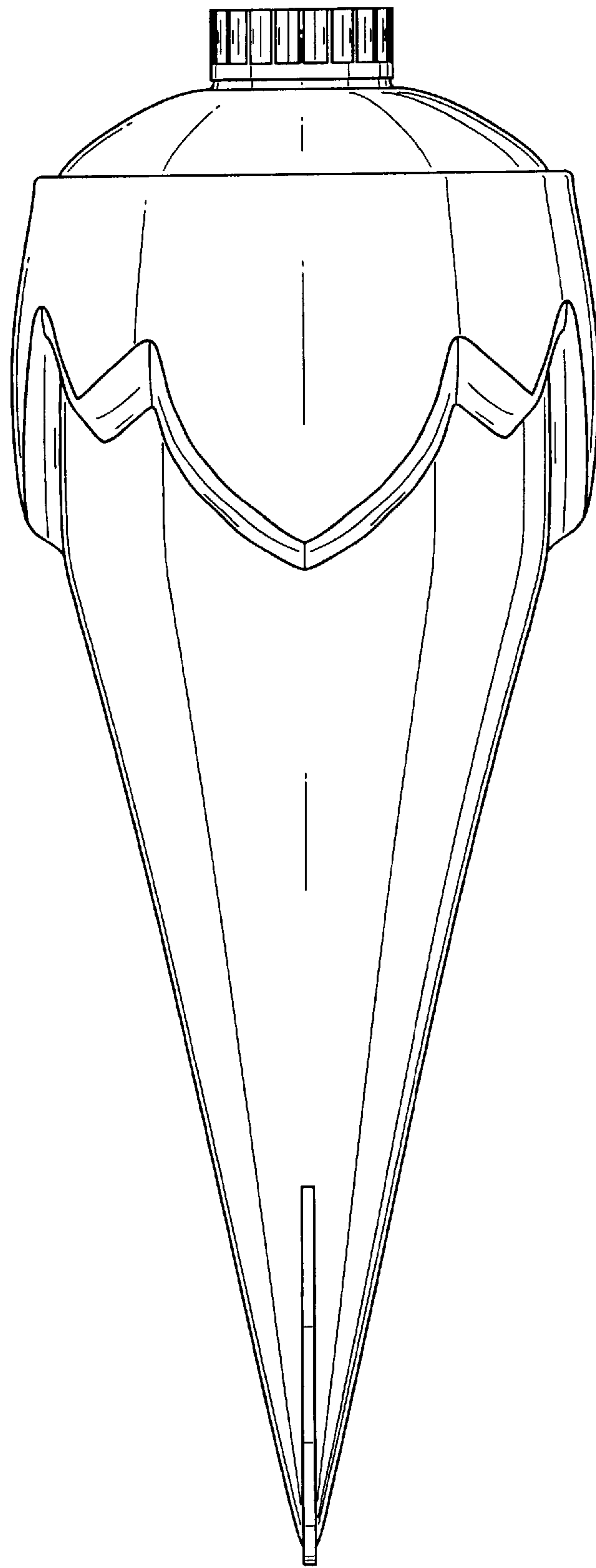


FIG. 3



FIG. 4

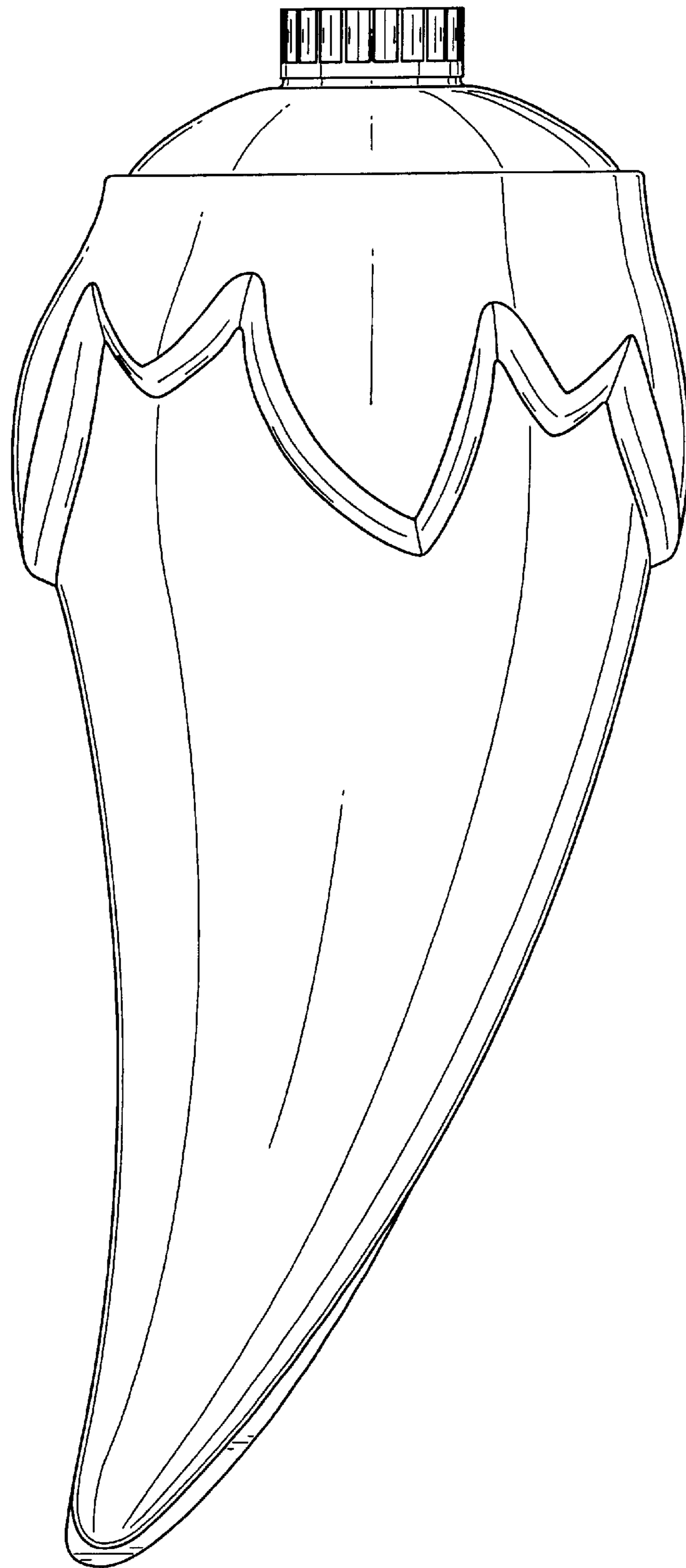


FIG. 5



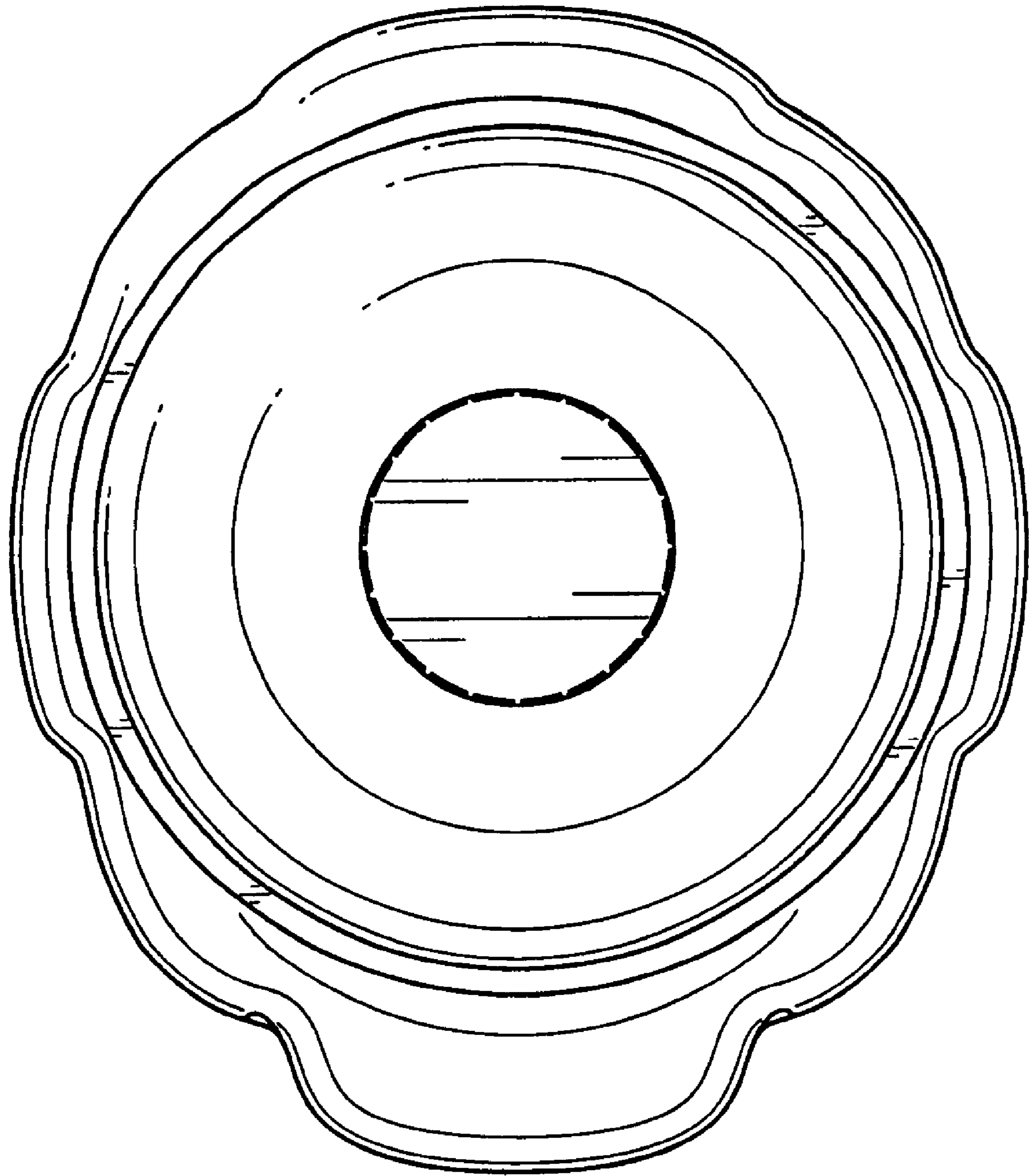


FIG. 6

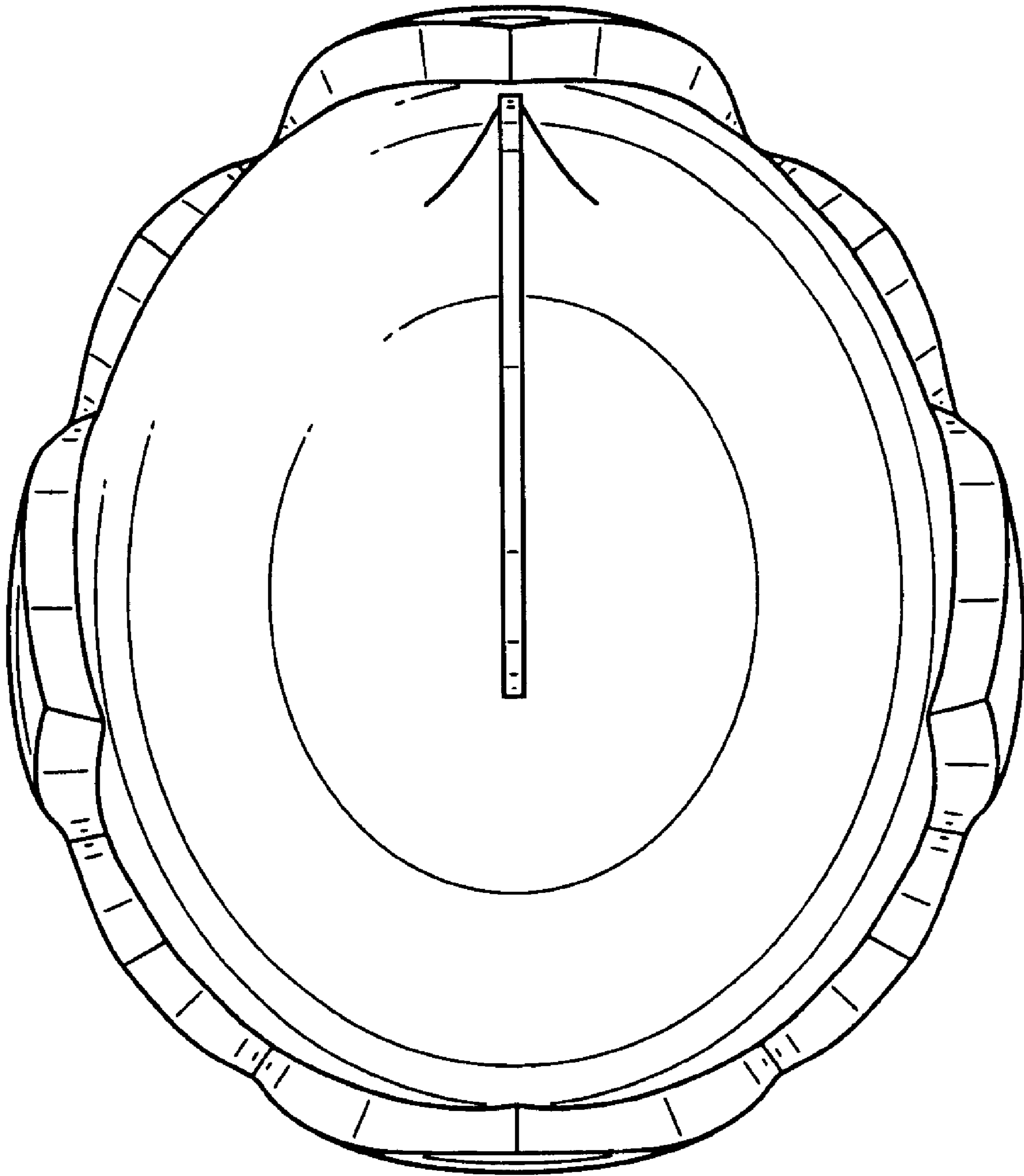


FIG. 7



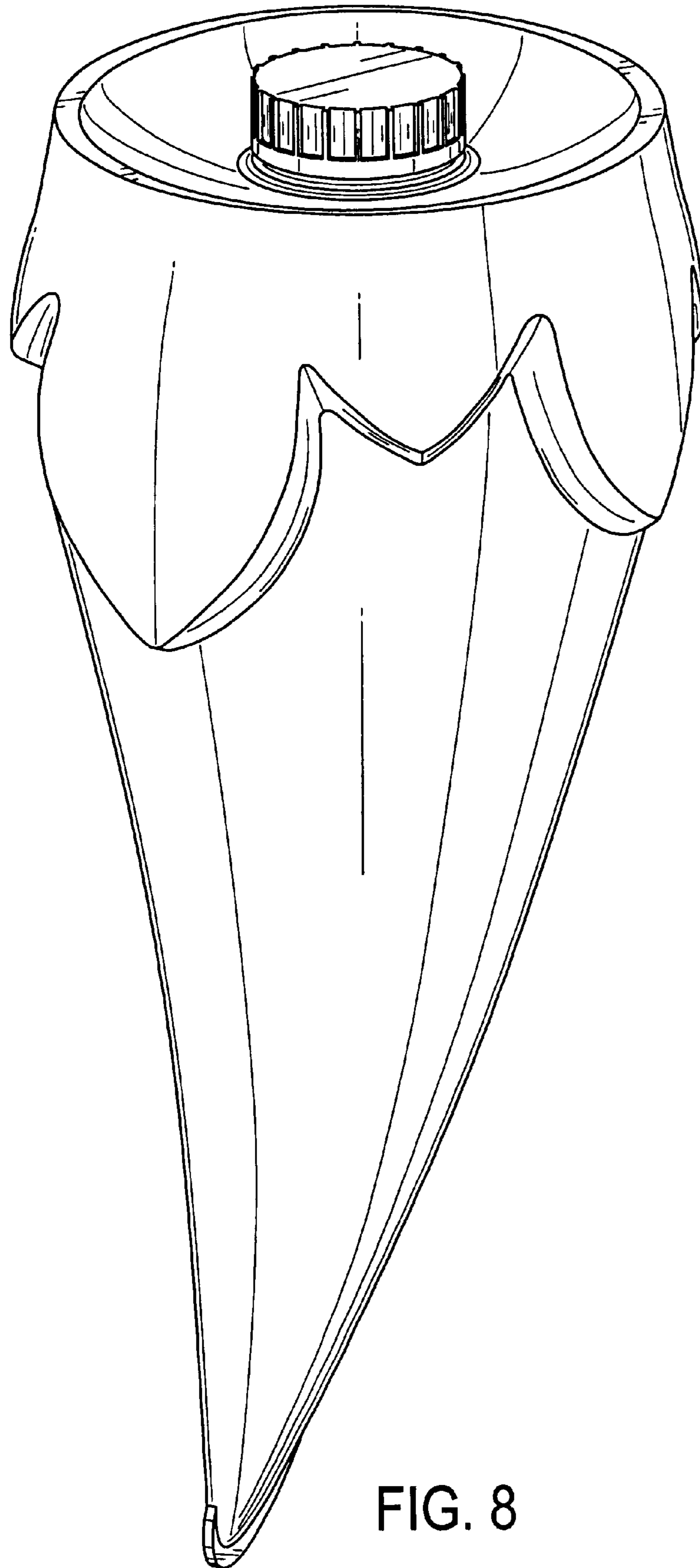


FIG. 8

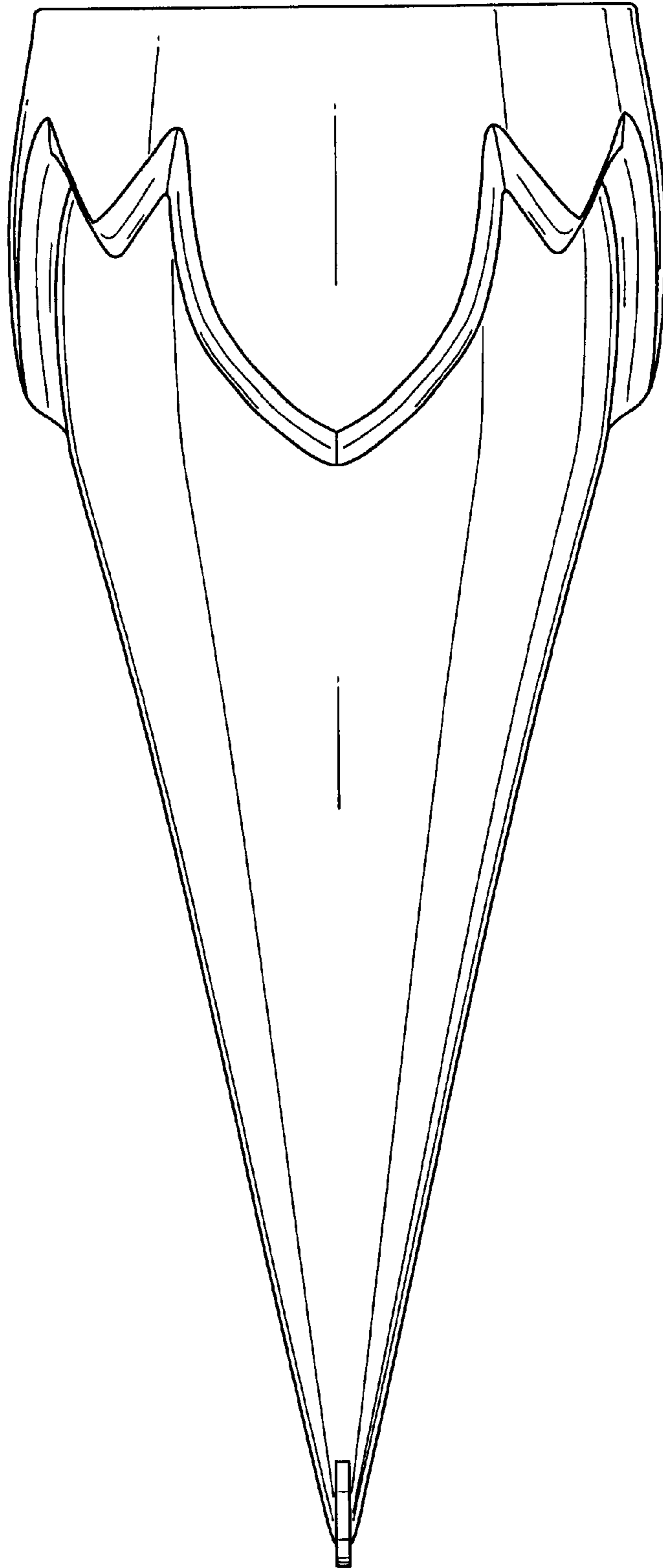


FIG. 9

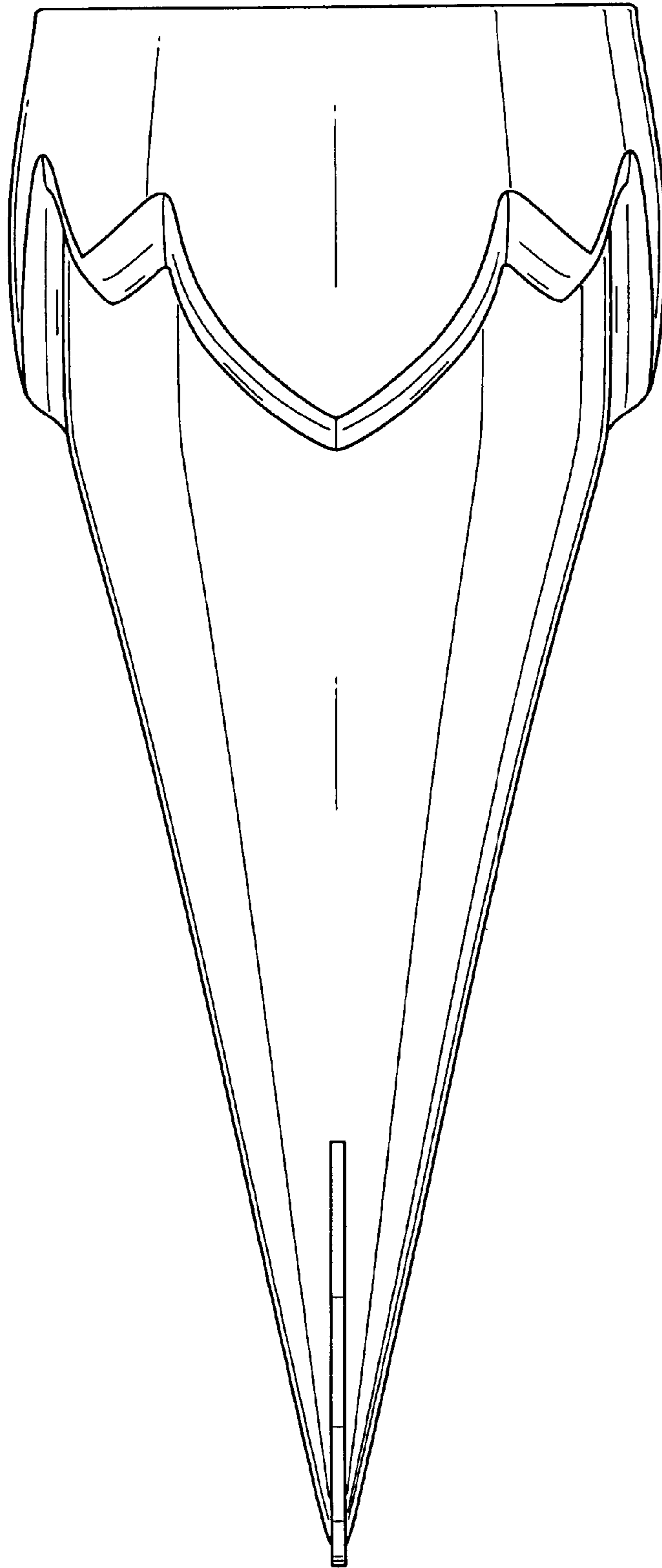


FIG. 10



FIG. 11

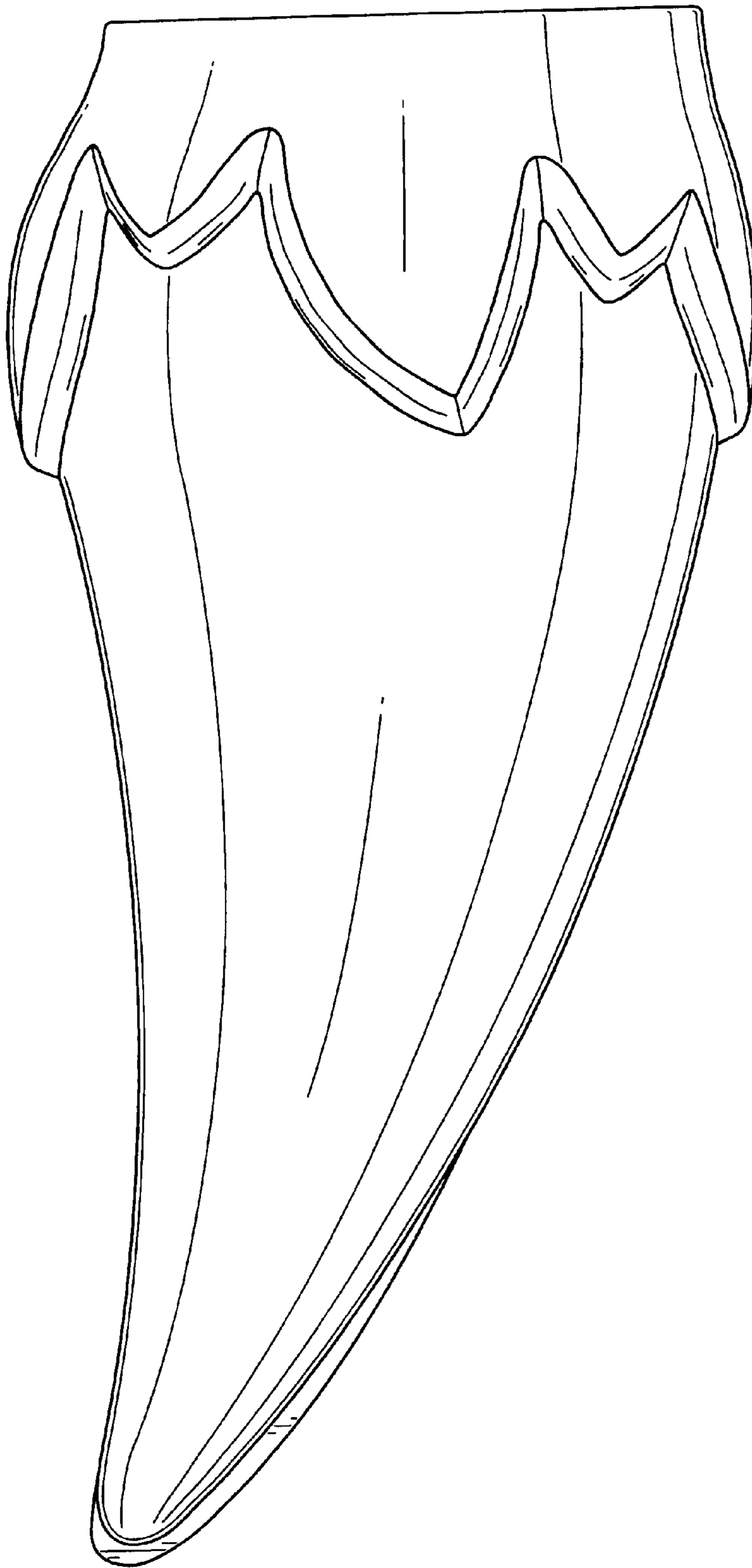


FIG. 12

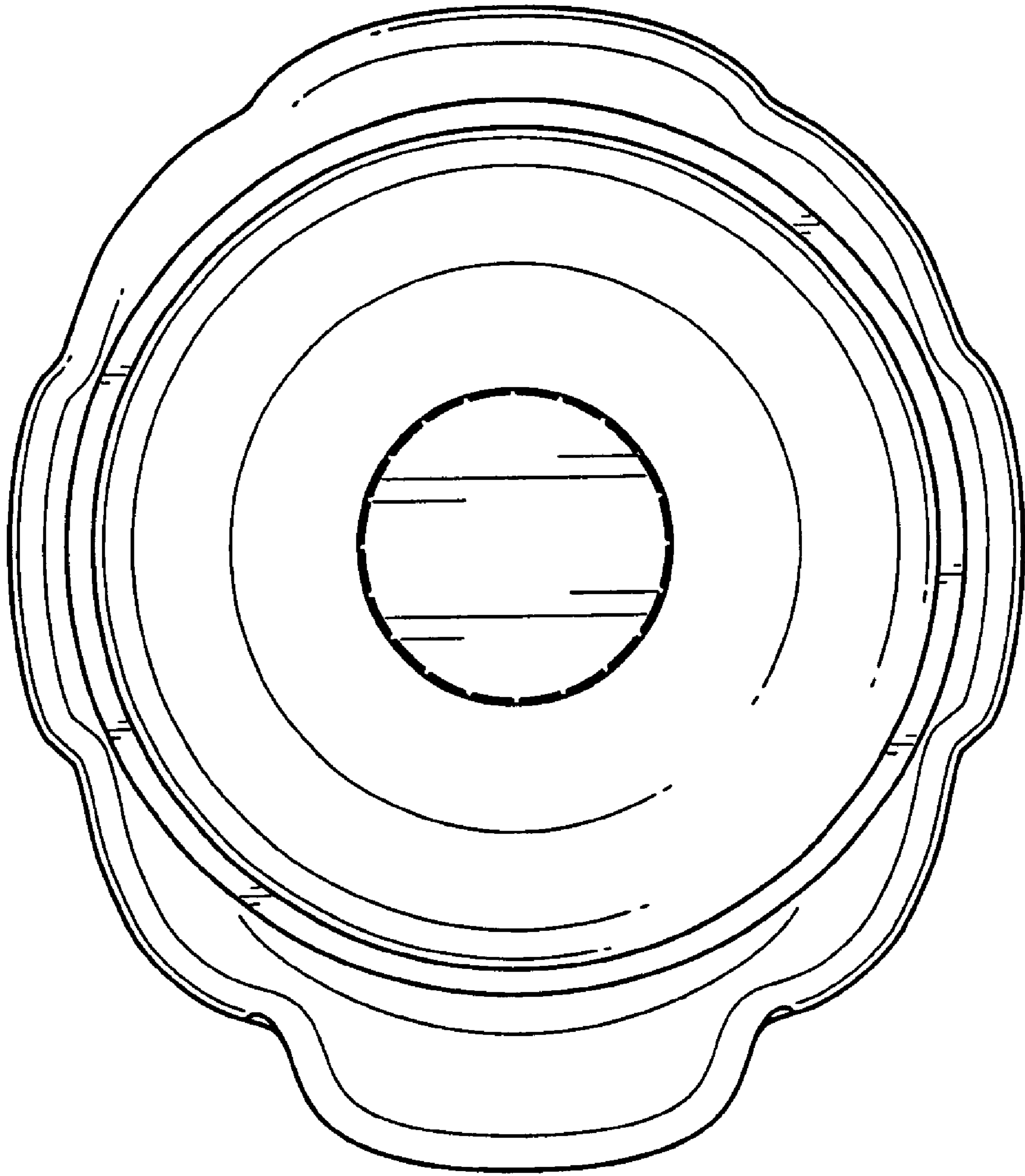


FIG. 13



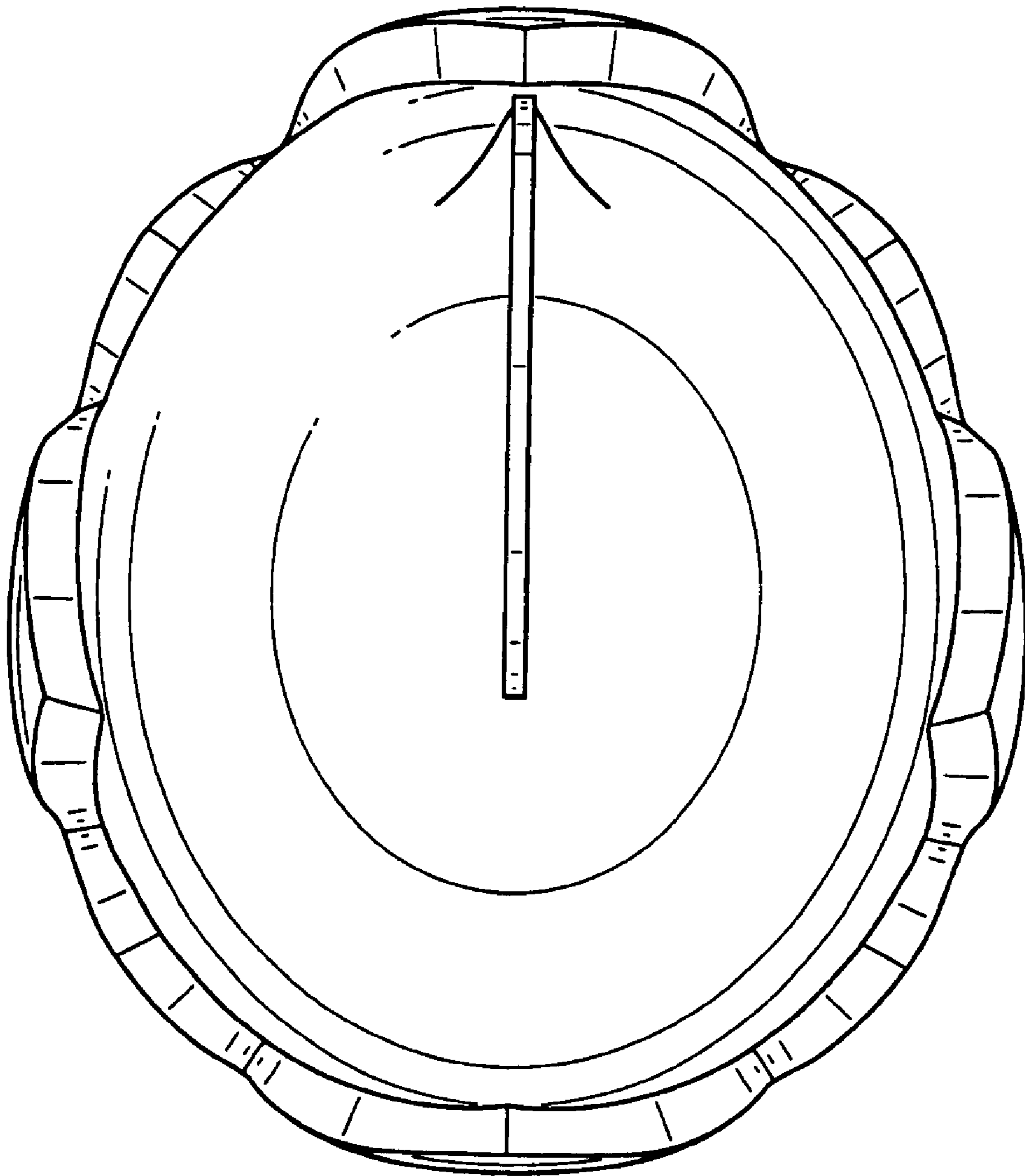


FIG. 14