



US00D522371S

(12) **United States Design Patent**  
**Livingston**

(10) **Patent No.:** **US D522,371 S**  
(45) **Date of Patent:** **\*\* Jun. 6, 2006**

- (54) **CONTAINER WITH HAND GRIP**
- (75) Inventor: **John J. Livingston**, Denver, CO (US)
- (73) Assignee: **Ball Corporation**, Broomfield, CO (US)
- (\*\*) Term: **14 Years**
- (21) Appl. No.: **29/221,349**
- (22) Filed: **Jan. 13, 2005**
- (51) **LOC (8) Cl.** ..... **09-01**
- (52) **U.S. Cl.** ..... **D9/538**
- (58) **Field of Classification Search** ..... D9/417,  
D9/502, 516, 530, 537-543, 549, 551, 556-558;  
D7/312, 314, 316, 597, 608; 215/379, 381-385,  
215/387; 220/660, 662, 665-666, 675  
See application file for complete search history.

- D424,446 S 5/2000 Silvers et al.
- D425,425 S 5/2000 Silvers et al.
- D428,815 S 8/2000 Mooney et al.
- D429,152 S 8/2000 Lane
- 6,164,474 A 12/2000 Cheng et al.
- 6,223,920 B1 5/2001 Lane et al.
- D444,070 S 6/2001 Bansal et al.
- 6,264,053 B1 7/2001 Slat
- D448,674 S 10/2001 Mooney
- D450,595 S 11/2001 Ogg et al.
- D452,158 S 12/2001 Dygert
- 6,349,839 B1 2/2002 Mooney
- 6,375,025 B1 4/2002 Mooney
- 6,390,316 B1 5/2002 Mooney
- D458,849 S 6/2002 Burleson et al.
- 6,398,052 B1 6/2002 Cheng et al.
- 6,467,639 B1 10/2002 Mooney
- D465,158 S \* 11/2002 Peek et al. .... D9/538
- D467,505 S 12/2002 Iizuka et al.
- D467,813 S 12/2002 Silvers et al.
- 6,494,333 B1 12/2002 Sasaki et al.
- D470,772 S \* 2/2003 Egger ..... D9/537
- D472,813 S 4/2003 Wright
- 6,564,959 B1 5/2003 Saito et al.

(56) **References Cited**

U.S. PATENT DOCUMENTS

- D258,346 S 2/1981 Winchell et al.
- D261,106 S 10/1981 Winchell et al.
- 4,804,097 A 2/1989 Alberghini et al.
- 4,890,752 A 1/1990 Ota et al.
- 5,141,120 A 8/1992 Brown et al.
- 5,141,121 A 8/1992 Brown et al.
- 5,148,930 A 9/1992 Ota et al.
- 5,226,550 A 7/1993 Mikolaitis et al.
- D344,457 S 2/1994 Prevot et al.
- D354,685 S 1/1995 Krishnakumar et al.
- 5,392,937 A 2/1995 Prevot et al.
- 5,472,105 A 12/1995 Krishnakumar et al.
- 5,598,941 A 2/1997 Semersky et al.
- D380,685 S \* 7/1997 Steih ..... D9/549
- D382,807 S 8/1997 Silvers et al.
- D385,497 S 10/1997 Krishnakumar et al.
- D393,210 S 4/1998 Ewing, Jr.
- 5,758,790 A 6/1998 Ewing, Jr.
- D419,872 S 2/2000 Lane
- D420,587 S 2/2000 Cheng et al.
- D420,593 S 2/2000 Denner et al.
- 6,029,837 A 2/2000 Slat et al.
- D423,936 S 5/2000 Smith et al.

(Continued)

*Primary Examiner*—Ian Simmons  
*Assistant Examiner*—Dana Sipos  
(74) *Attorney, Agent, or Firm*—Brinks Hofer Gilson Lione

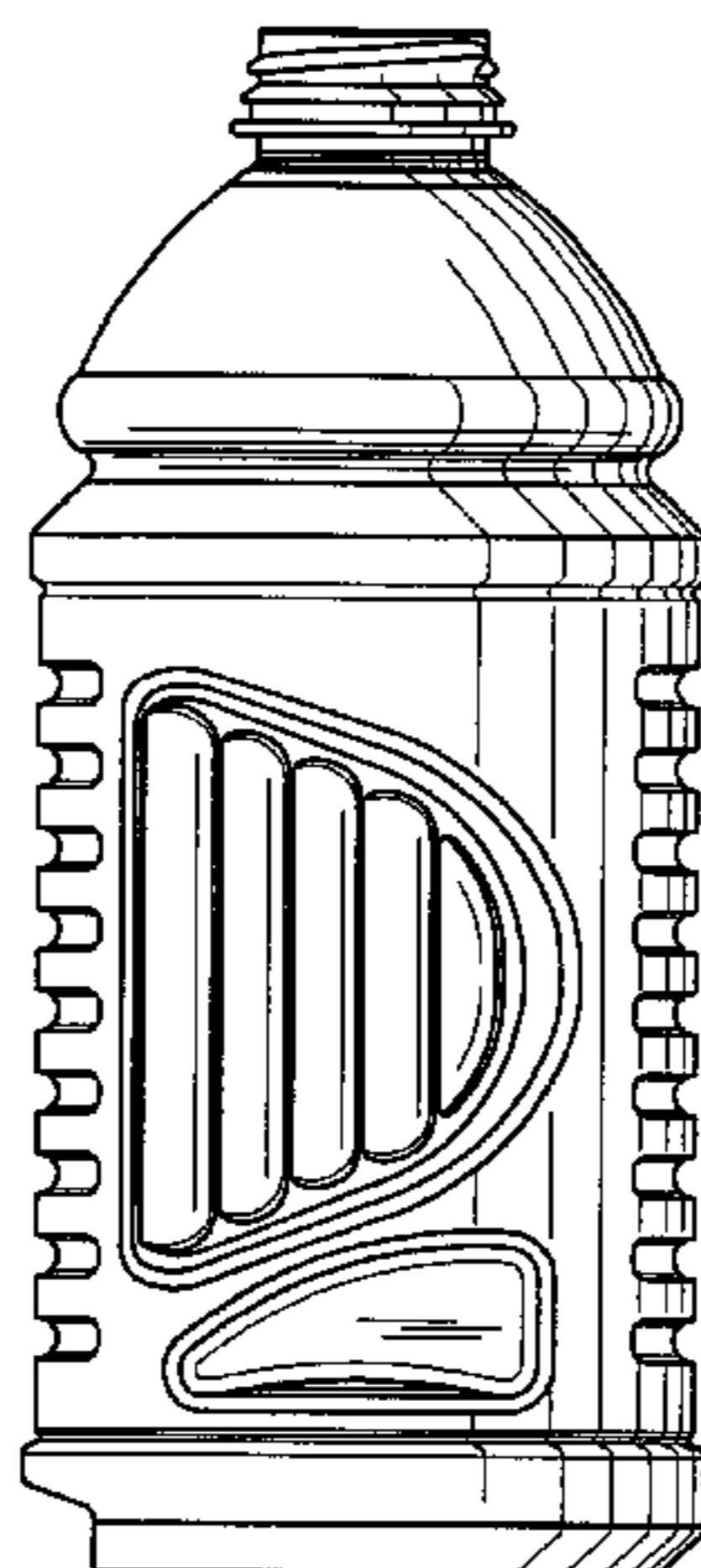
(57) **CLAIM**

I claim the ornamental design for a container with hand grip, as shown and described.

**DESCRIPTION**

FIG. 1 is a side elevation view of a container showing the present invention, the opposite side being a mirror image thereof.  
FIG. 2 is a plan view from the top of FIG. 1.  
FIG. 3 is a plan view from the bottom of FIG. 1.  
FIG. 4 is an elevation view from the right side of FIG. 1.  
FIG. 5 is an elevation view from the left side of FIG. 1; and, FIG. 6 is an elevated perspective view of the container shown in the previous Figures.

**1 Claim, 3 Drawing Sheets**



# US D522,371 S

Page 2

---

U.S. PATENT DOCUMENTS							
				D489,991	S	5/2004	Deubel et al.
				6,739,467	B1	5/2004	Saito et al.
				D496,281	S	9/2004	Trude
6,616,001	B1	9/2003	Saito et al.	6,796,450	B1	9/2004	Prevot et al.
D481,937	S	* 11/2003	McRae ..... D9/443	D500,679	S	1/2005	Walsh et al.
D481,938	S	* 11/2003	McRae ..... D9/520	6,837,390	B1	1/2005	Lane et al.
D482,287	S	11/2003	Kraft	2003/0205550	A1	* 11/2003	Prevot et al. .... 215/384
D486,071	S	2/2004	Deubel et al.				
6,698,606	B1	3/2004	Deubel et al.				
D488,723	S	* 4/2004	Evans et al. .... D9/538				

\* cited by examiner

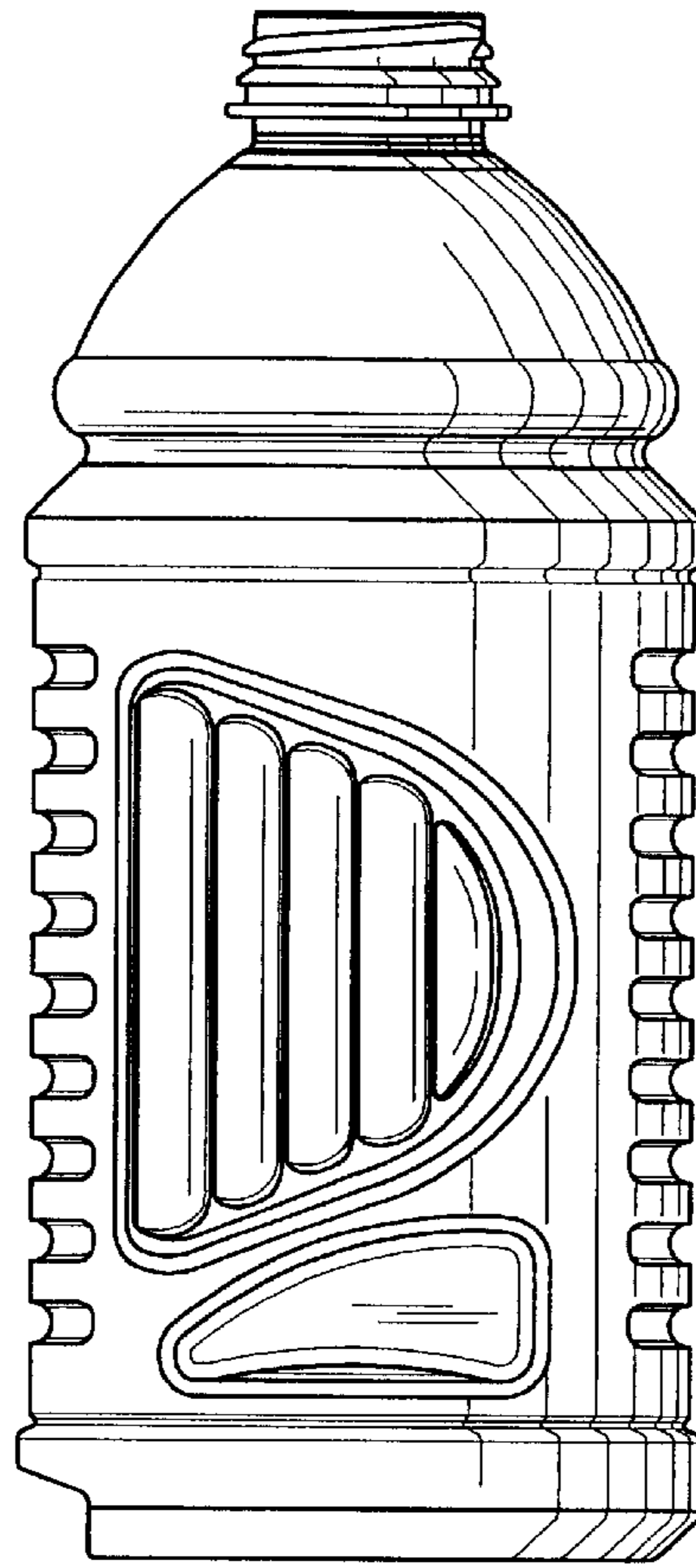


Fig. 1

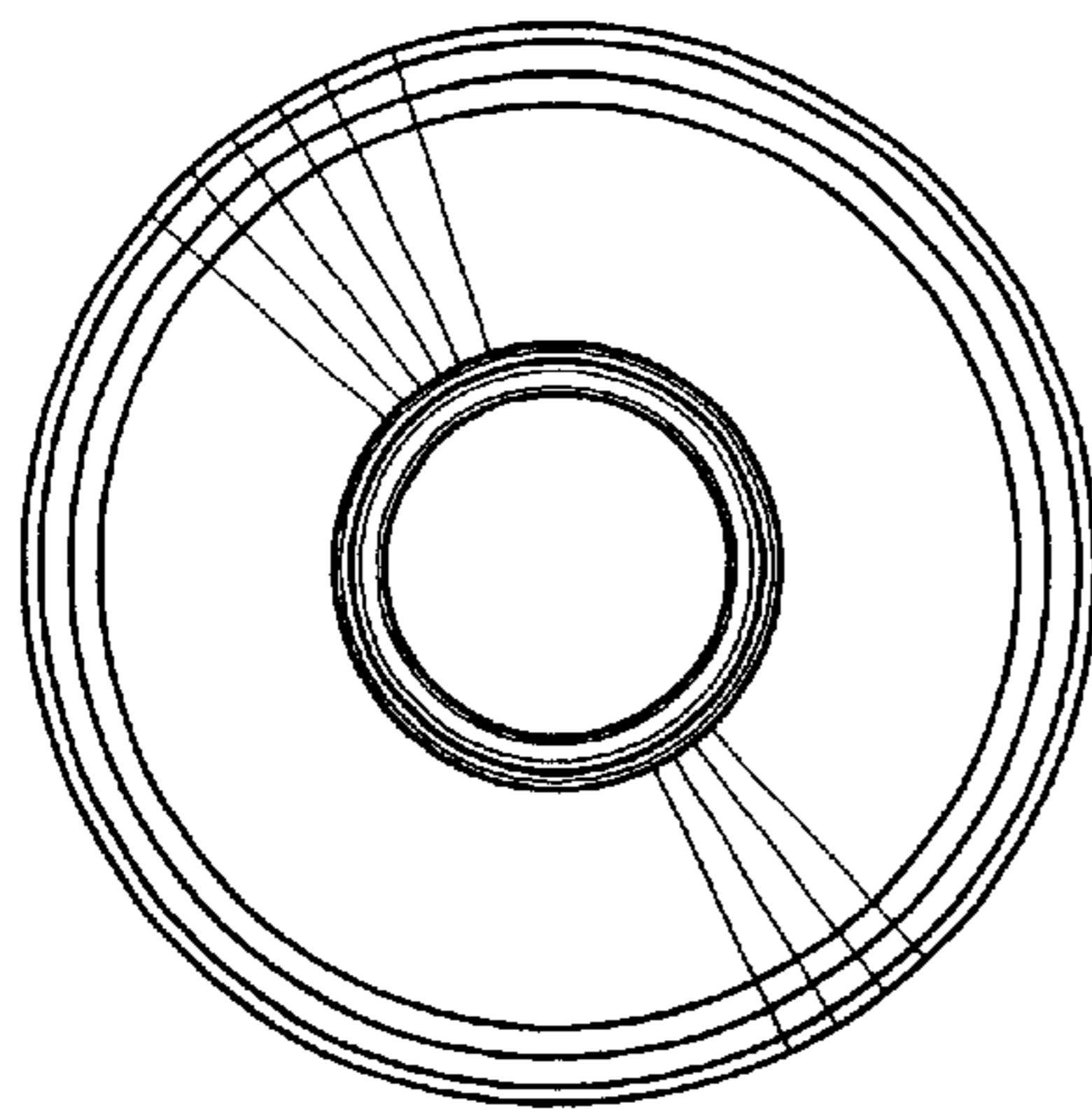


Fig. 2

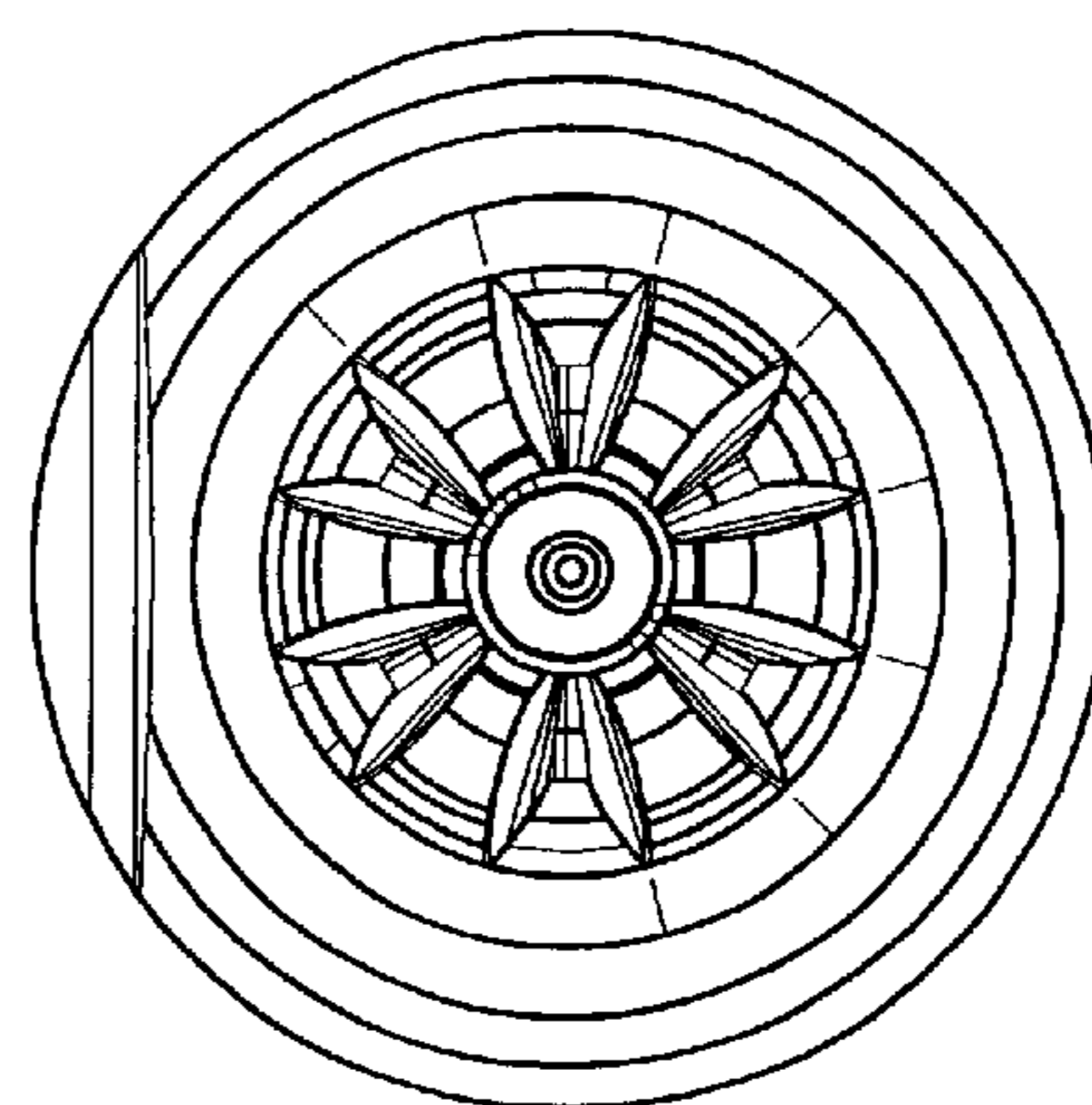


Fig. 3

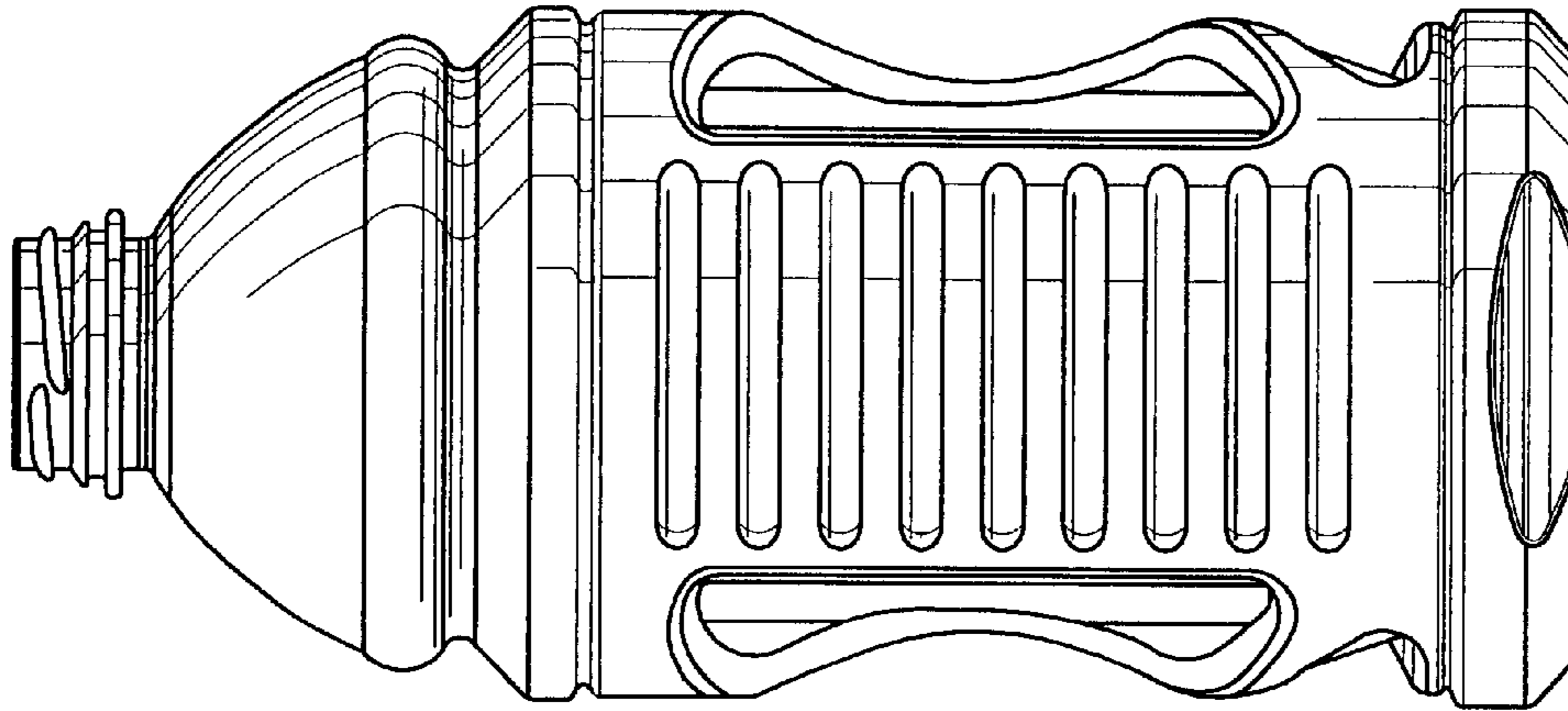


Fig. 5

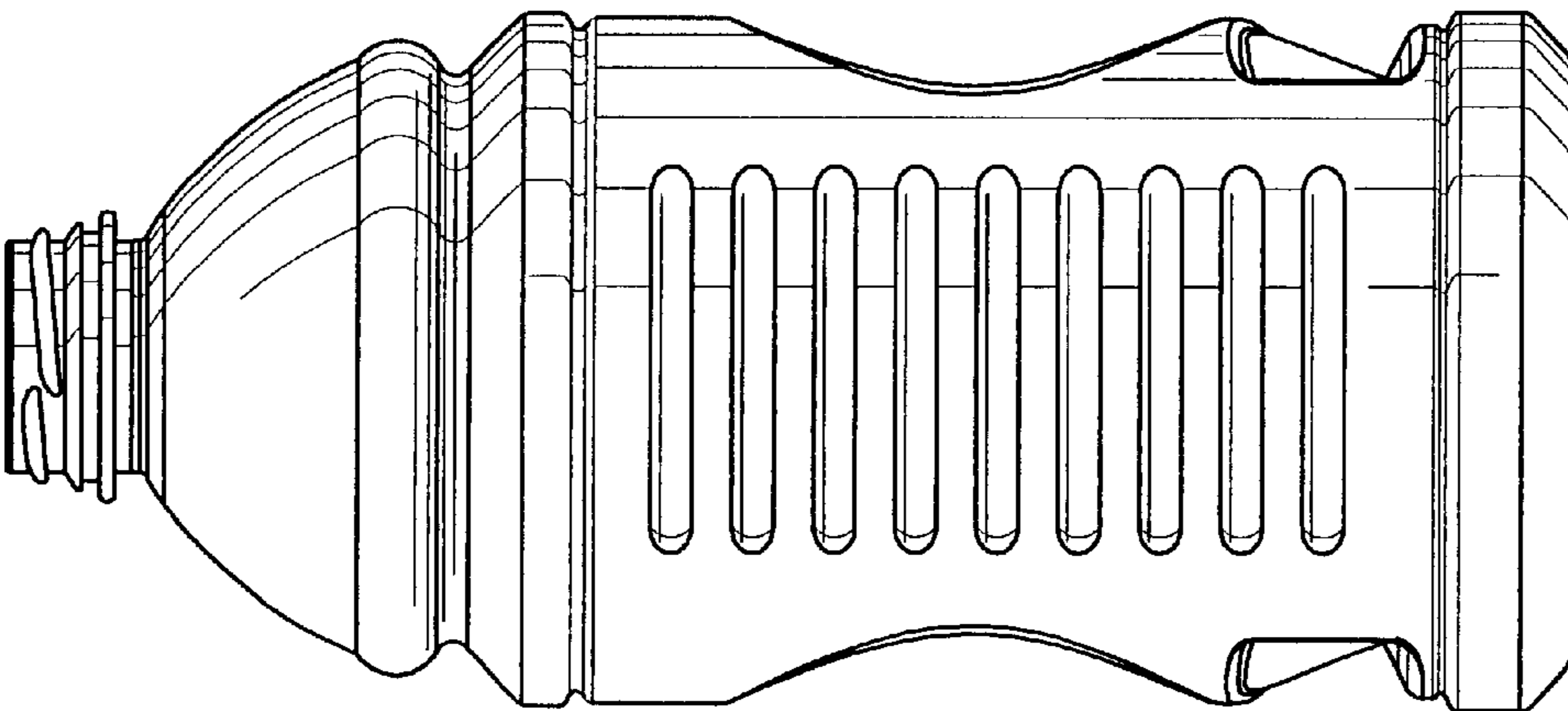


Fig. 4

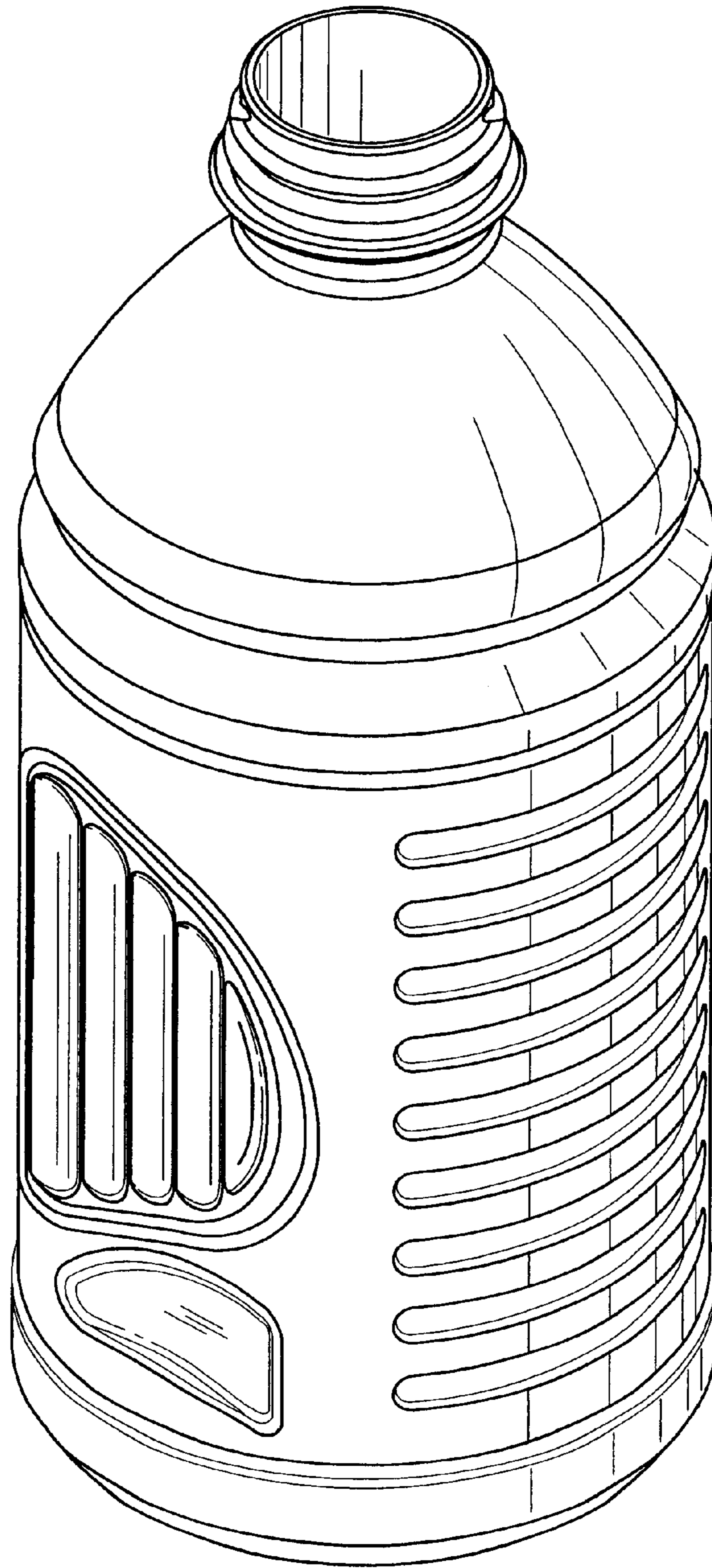


Fig. 6