



US00D522365S

(12) **United States Design Patent**
Samuels

(10) **Patent No.:** **US D522,365 S**
(45) **Date of Patent:** **** Jun. 6, 2006**

(54) **PORTION OF A GLOW-IN-THE-DARK BEVERAGE LID**

(76) Inventor: **Brandi L. Samuels**, 1456 Sycamore Mews Cir., Midlothian, VA (US) 23113

(**) Term: **14 Years**

(21) Appl. No.: **29/217,783**

(22) Filed: **Nov. 23, 2004**

(51) **LOC (8) Cl.** **09-07**

(52) **U.S. Cl.** **D9/454**

(58) **Field of Classification Search** D9/454, D9/449, 447, 445, 439, 438, 435, 452, 453; D7/638, 511, 510, 392, 392.1; D3/323; 220/270-271, 220/709, 718, 781, 575, 715; 215/254
See application file for complete search history.

(56) **References Cited**

U.S. PATENT DOCUMENTS

- D456,212 S * 4/2002 Bridges D7/510
- 6,374,726 B1 4/2002 Melton
- D466,371 S * 12/2002 Parker D7/510
- D467,500 S * 12/2002 Cudmore et al. D9/435

6,553,696 B1 4/2003 Foster, Sr.
2003/0076673 A1 4/2003 Diak/Ghanem

* cited by examiner

Primary Examiner—Robert M. Spear
Assistant Examiner—Susan Bennett Hattan
(74) *Attorney, Agent, or Firm*—Richard C. Litman

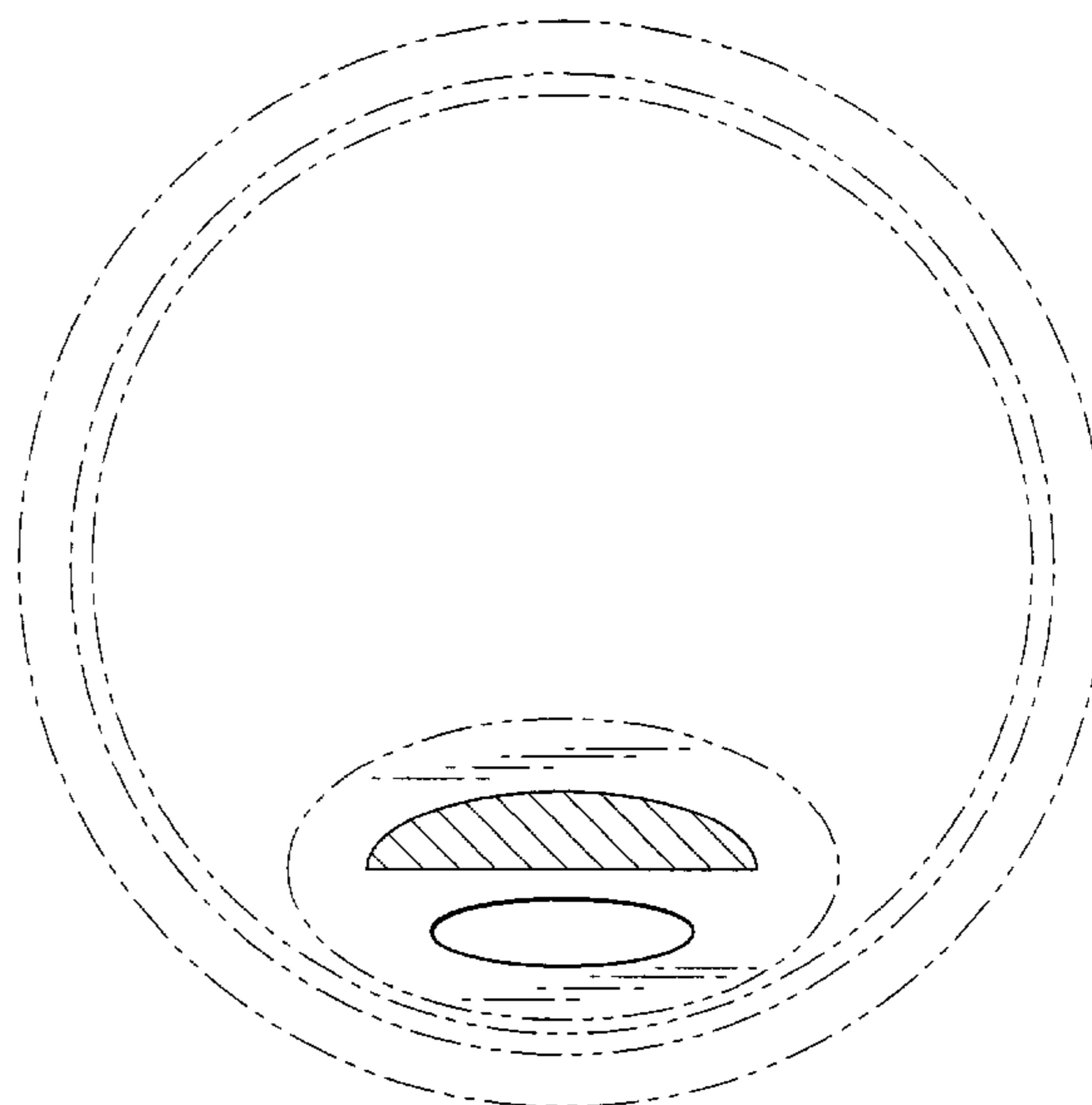
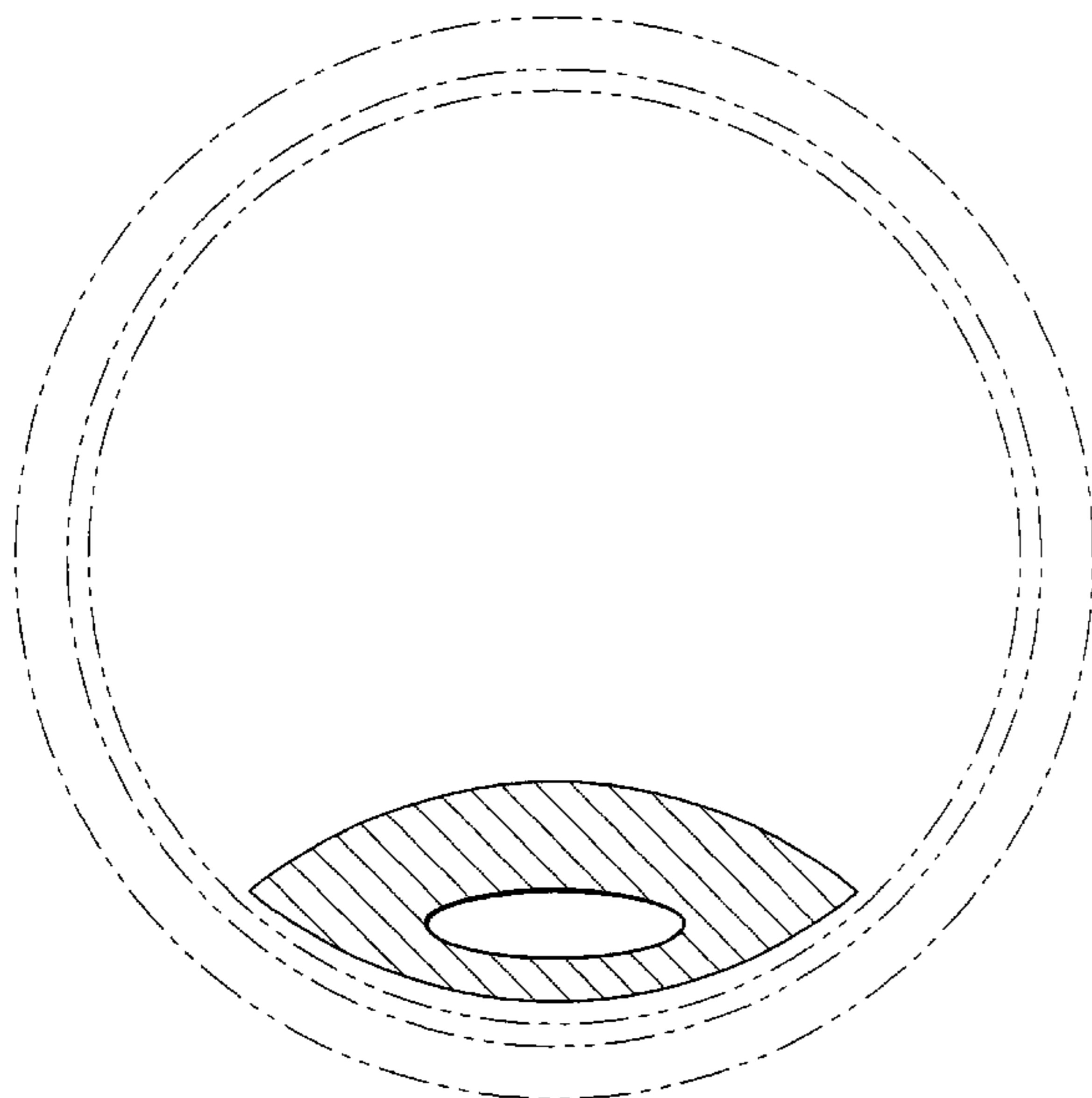
(57) **CLAIM**

The ornamental design for a portion of a glow-in-the-dark beverage lid, as shown and described.

DESCRIPTION

FIG. 1 is an environmental top plan view of a first embodiment of a portion of a glow-in-the-dark beverage lid showing my new design; and, FIG. 2 is an environmental top plan view of a second embodiment thereof, the oval shaped broken lines defining the limits of the claimed design and forming no part thereof. The diagonal shading is representative of the color green and indicates that the region with such shading glows in the dark. The broken lines showing a cup lid in FIGS. 1 and 2 are illustrative only and form no part of the claimed design.

1 Claim, 2 Drawing Sheets



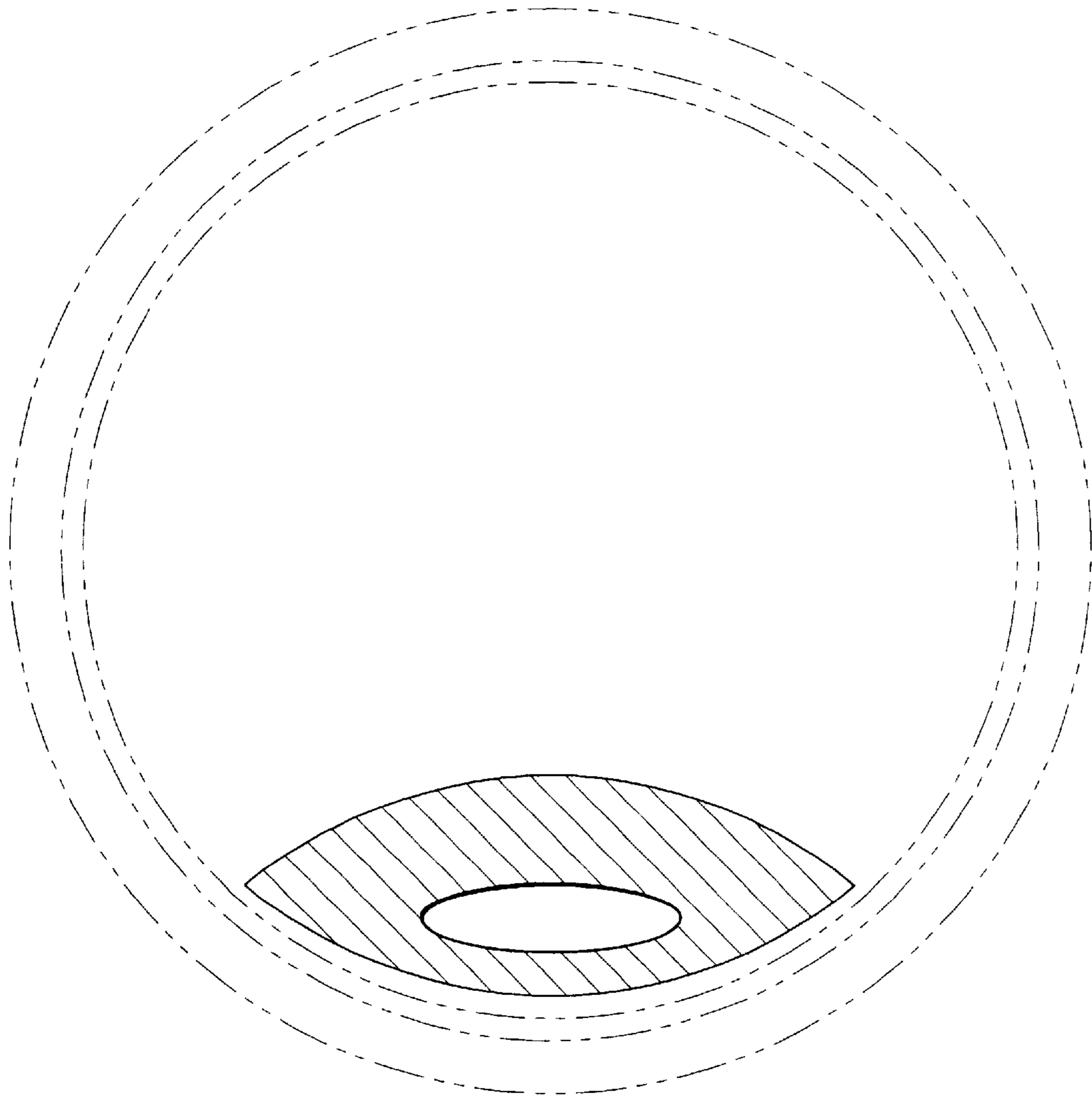


Fig. 1

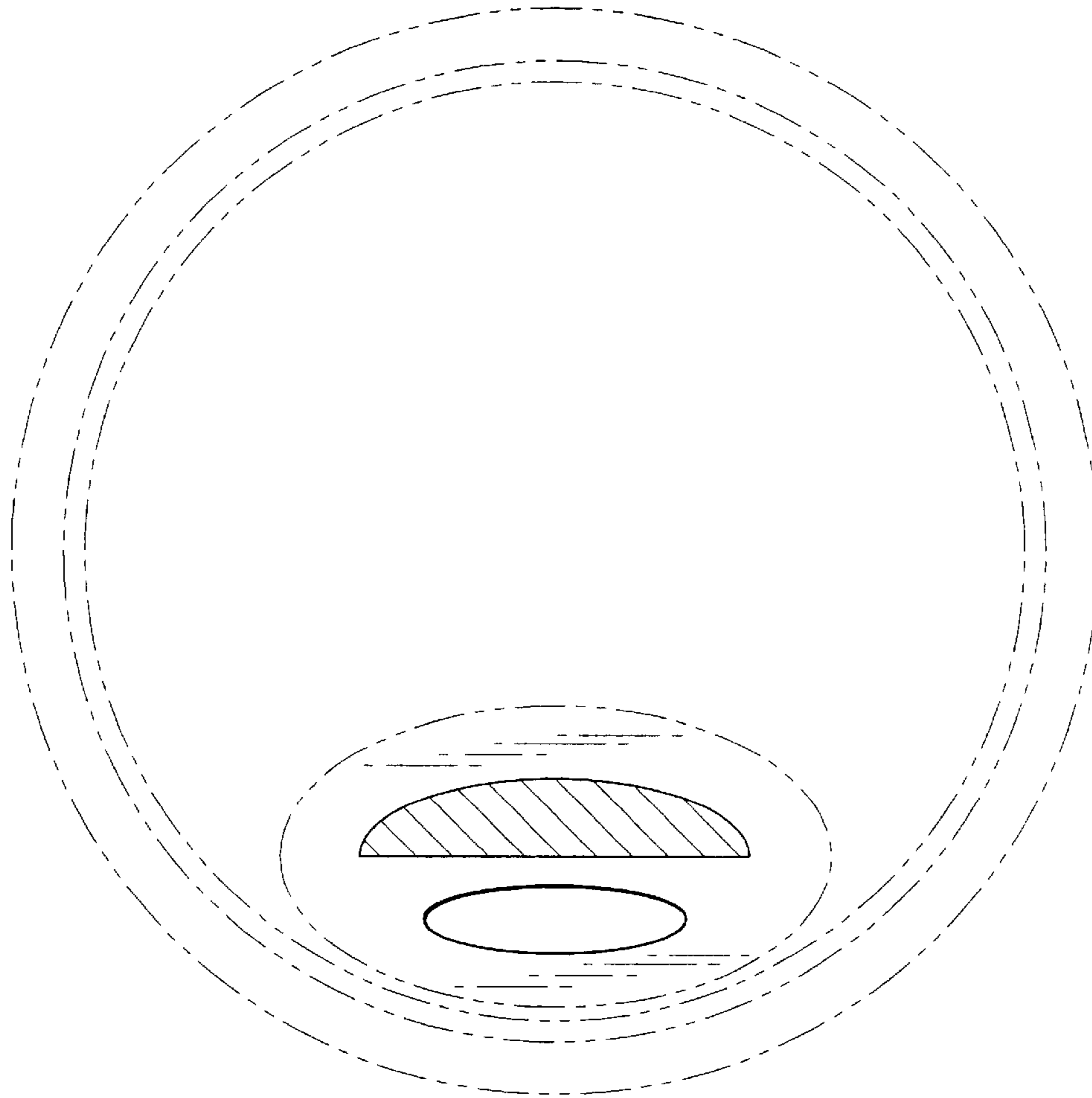


Fig. 2