

US00D522360S

(12) **United States Design Patent**  
**Caserta et al.**

(10) **Patent No.:** **US D522,360 S**  
(45) **Date of Patent:** **\*\* Jun. 6, 2006**

(54) **CAP FOR CONTAINERS OF AIR-FRESHENERS, INSECTICIDES, AND THE LIKE**

(75) Inventors: **Andrea Caserta**, Barcelona (ES);  
**Ruben Garcia Fabrega**, Barcelona (ES); **José Luque Salcedo**, Barcelona (ES); **Julio Cesar Ruiz Ballesteros**, Barcelona (ES)

(73) Assignee: **Zobebe Espana, S.A.**, Barcelona (ES)

(\*\*) Term: **14 Years**

(21) Appl. No.: **29/228,832**

(22) Filed: **Apr. 28, 2005**

(51) **LOC (8) Cl.** ..... **09-07**

(52) **U.S. Cl.** ..... **D9/447; D9/453**

(58) **Field of Classification Search** ..... D9/453,  
D9/452, 449, 447, 446, 435, 444; D7/516,  
D7/511, 510, 392.1; D24/197; 215/11.1;  
220/713; 222/109, 129, 145, 207, 212, 485,  
222/80, 94

See application file for complete search history.

(56) **References Cited**

**U.S. PATENT DOCUMENTS**

D130,597 S \* 12/1941 Derham ..... D9/449

D264,054 S \* 4/1982 Kieber ..... D9/453  
D317,127 S \* 5/1991 Zubek ..... D9/435  
D319,588 S \* 9/1991 Beck ..... D9/447  
D338,189 S \* 8/1993 Briggs ..... D13/113  
5,921,440 A \* 7/1999 Maines ..... 222/145.2  
D426,068 S \* 6/2000 An ..... D4/116  
D461,407 S \* 8/2002 Barnes et al. .... D9/453  
D476,232 S \* 6/2003 Maus et al. .... D9/449  
D498,146 S \* 11/2004 Densky et al. .... D9/571  
D510,523 S \* 10/2005 Pitman et al. .... D9/452

\* cited by examiner

*Primary Examiner*—Robert M. Spear

*Assistant Examiner*—Susan Bennett Hattan

(74) *Attorney, Agent, or Firm*—Ladas & Parry LLP

(57) **CLAIM**

We claim the ornamental design for cap for containers of air-fresheners, insecticides, and the like, as shown.

**DESCRIPTION**

FIG. 1 is a top, front perspective view of a cap for containers of air-fresheners, insecticides, and the like showing the new design.

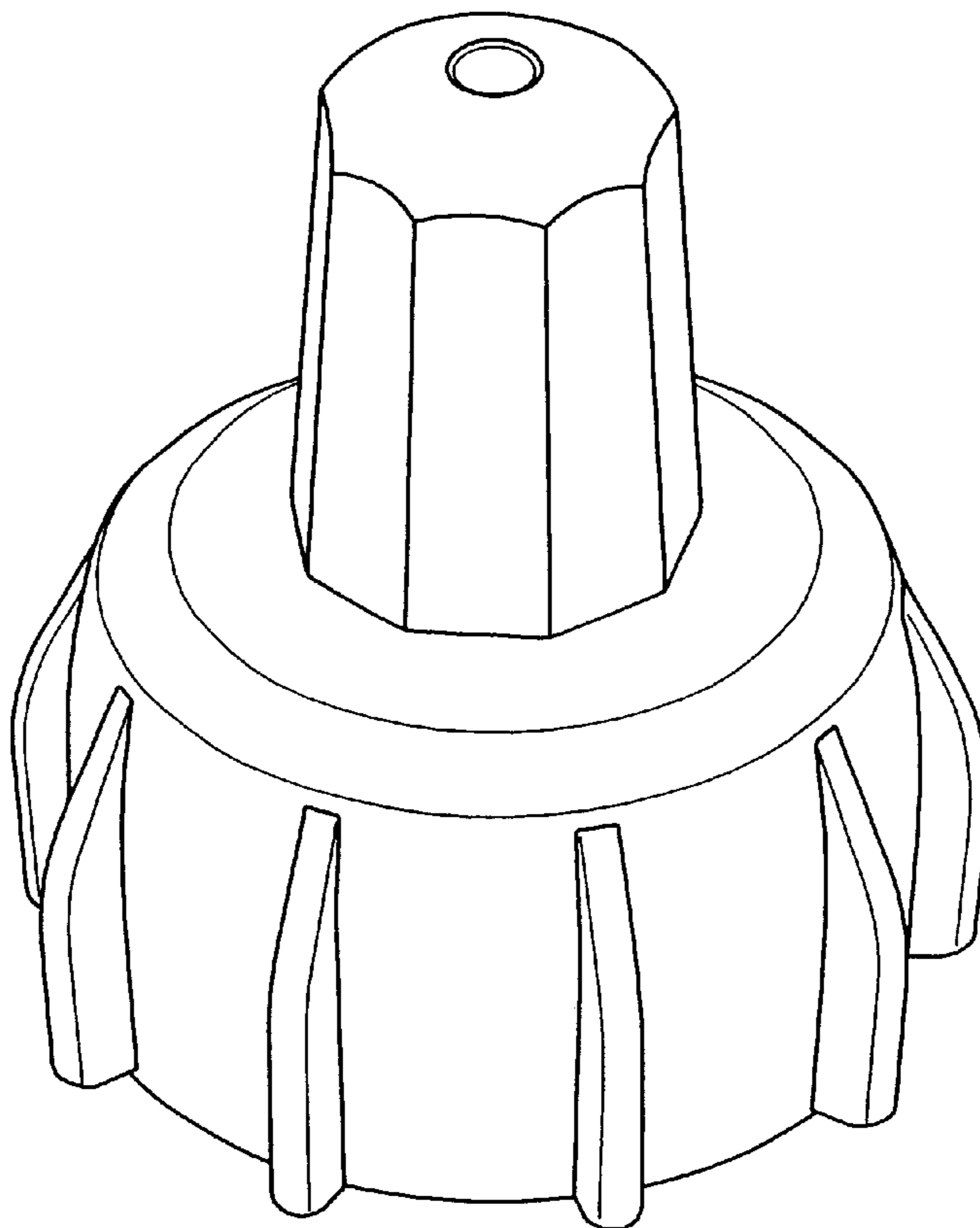
FIG. 2 is a bottom perspective view thereof.

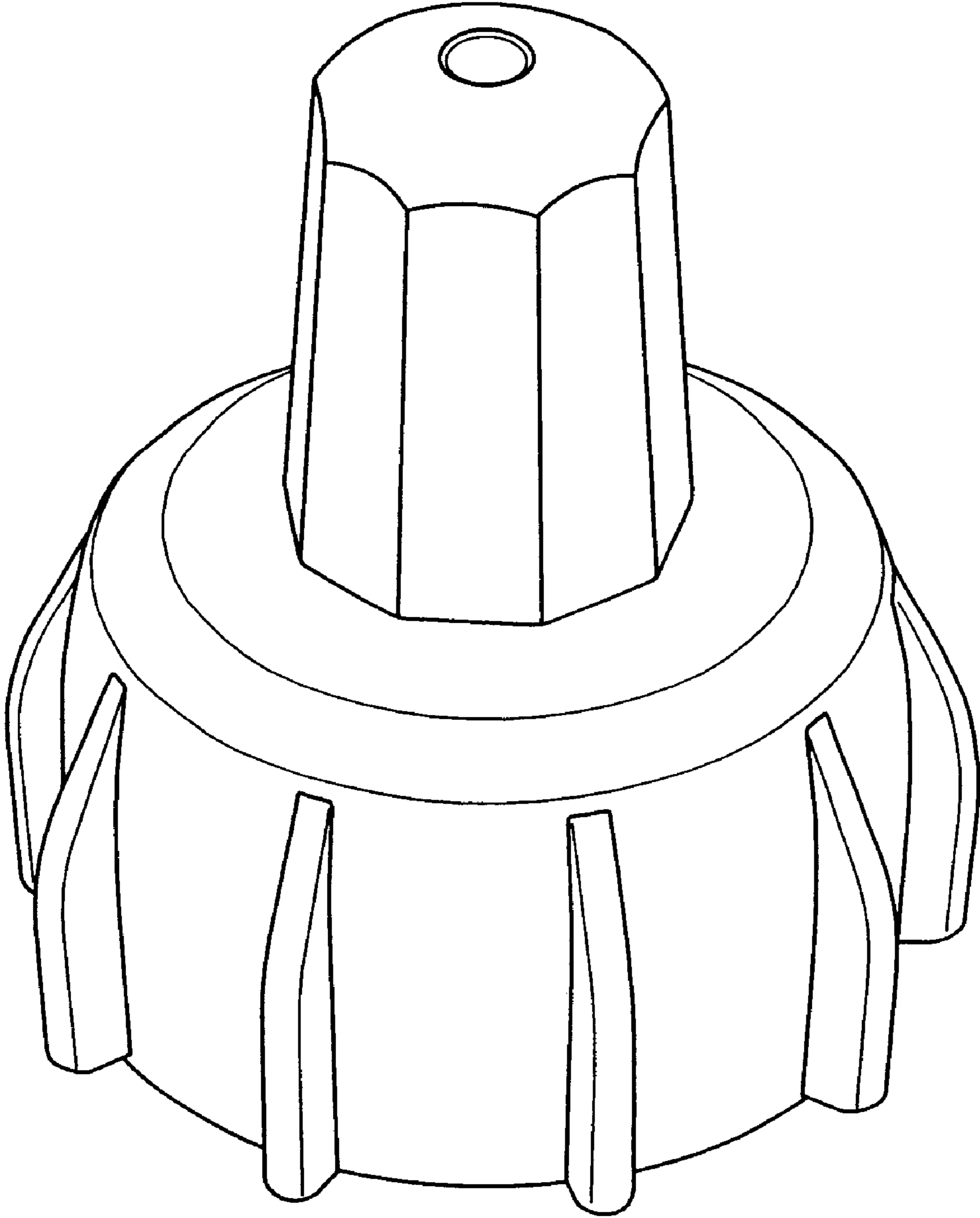
FIG. 3 is a front elevational view thereof.

FIG. 4 is a top plan view thereof; and,

FIG. 5 is a rear elevational view thereof.

**1 Claim, 5 Drawing Sheets**





**FIG. 1**

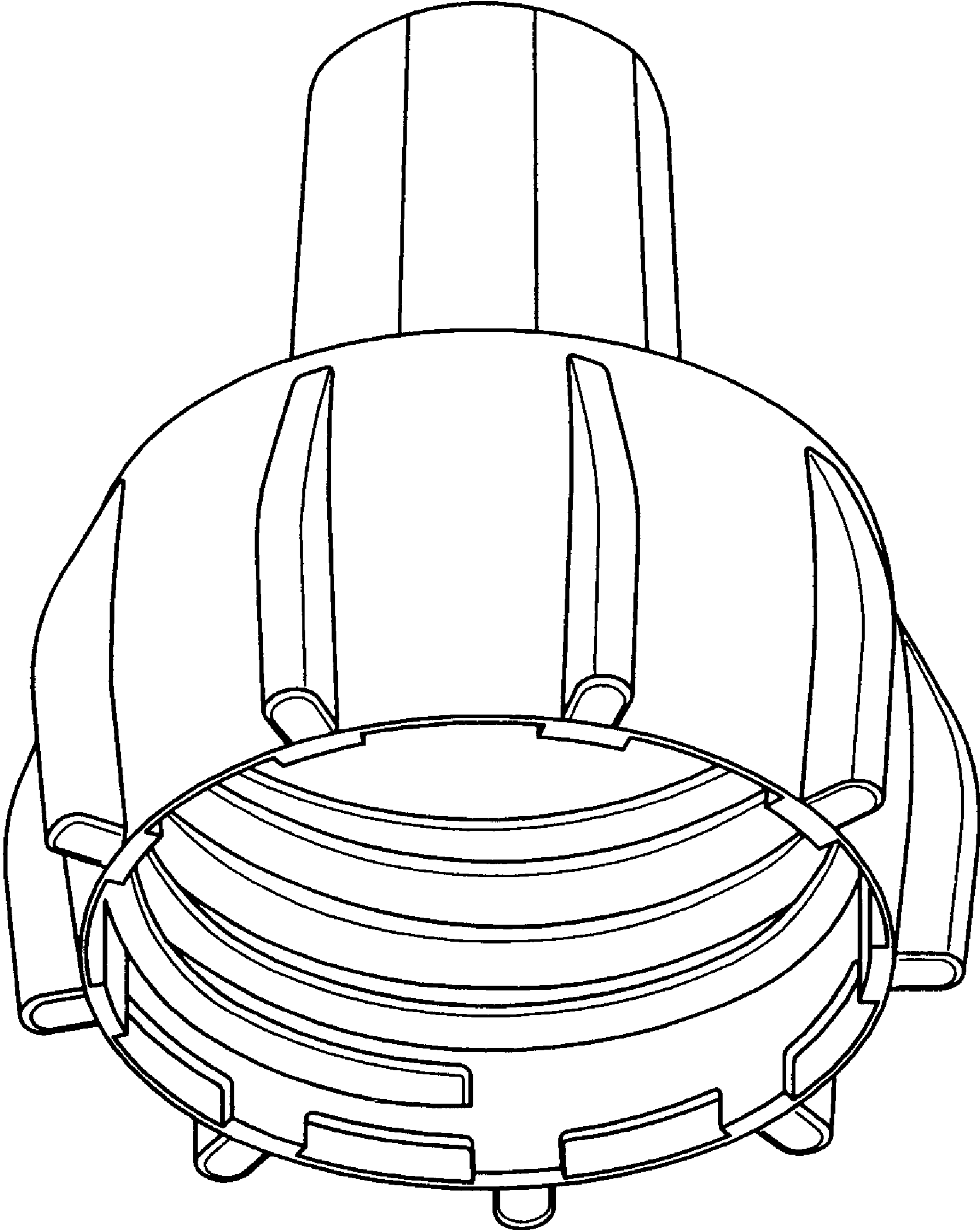


FIG.2

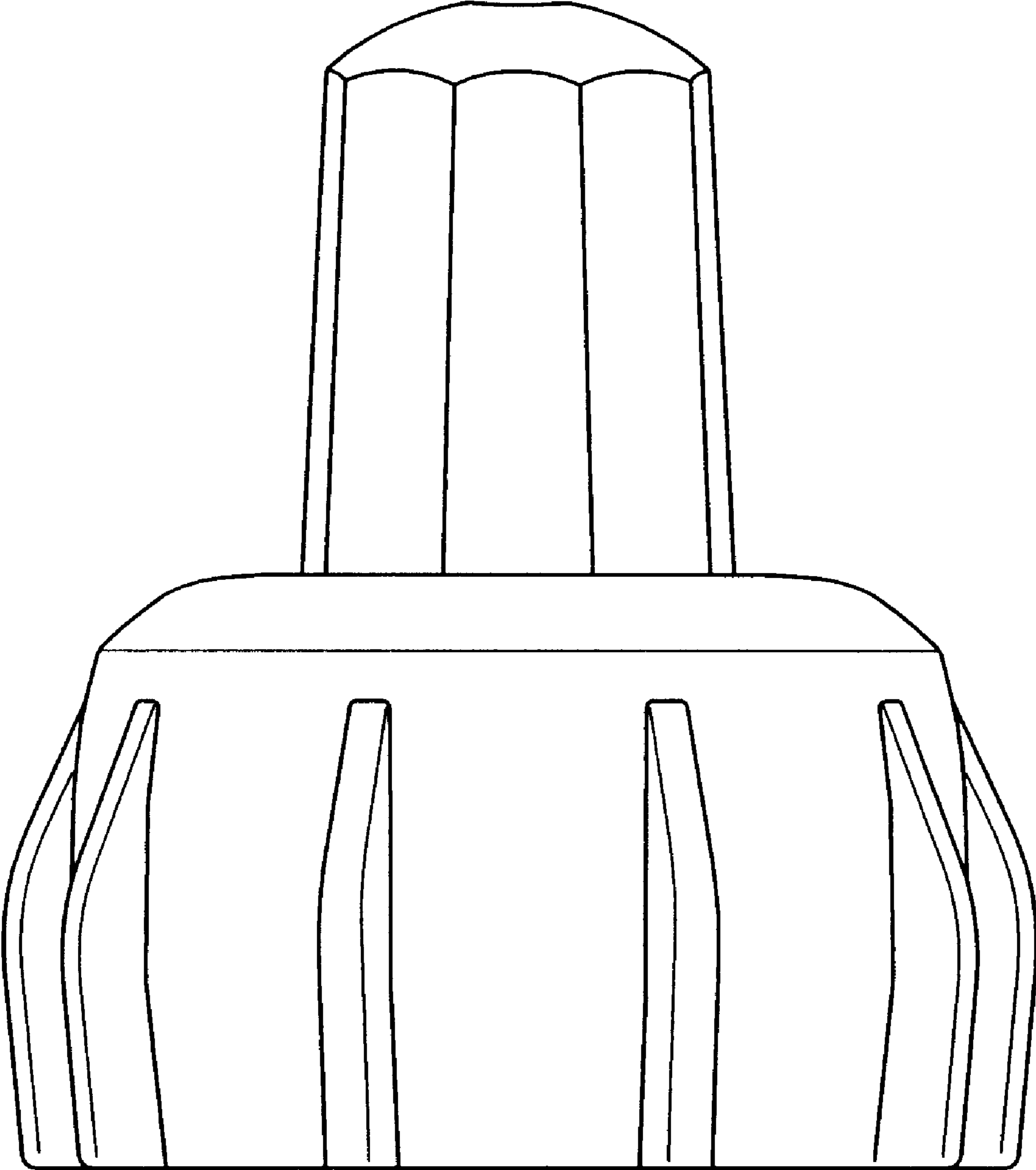


FIG.3

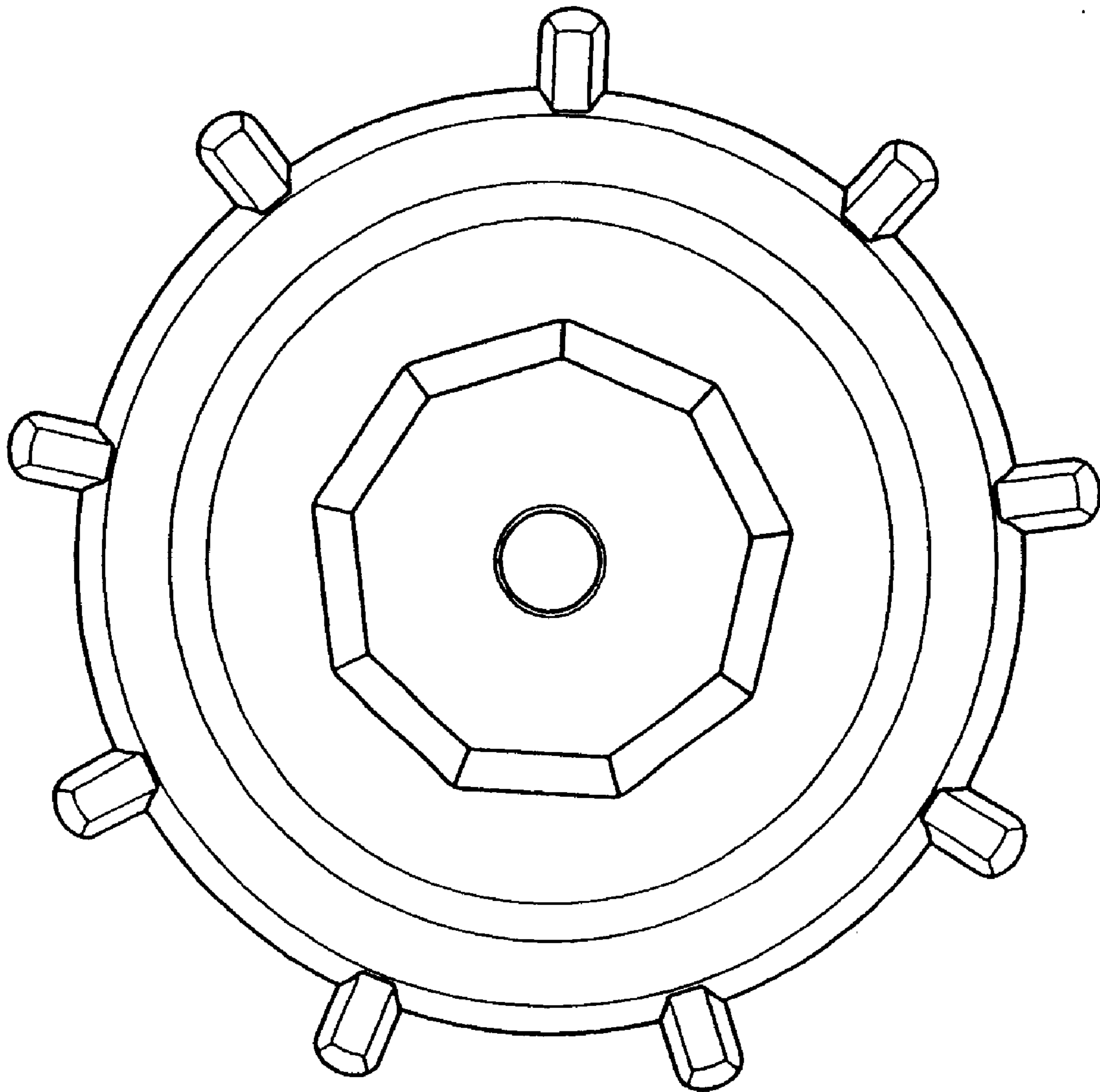
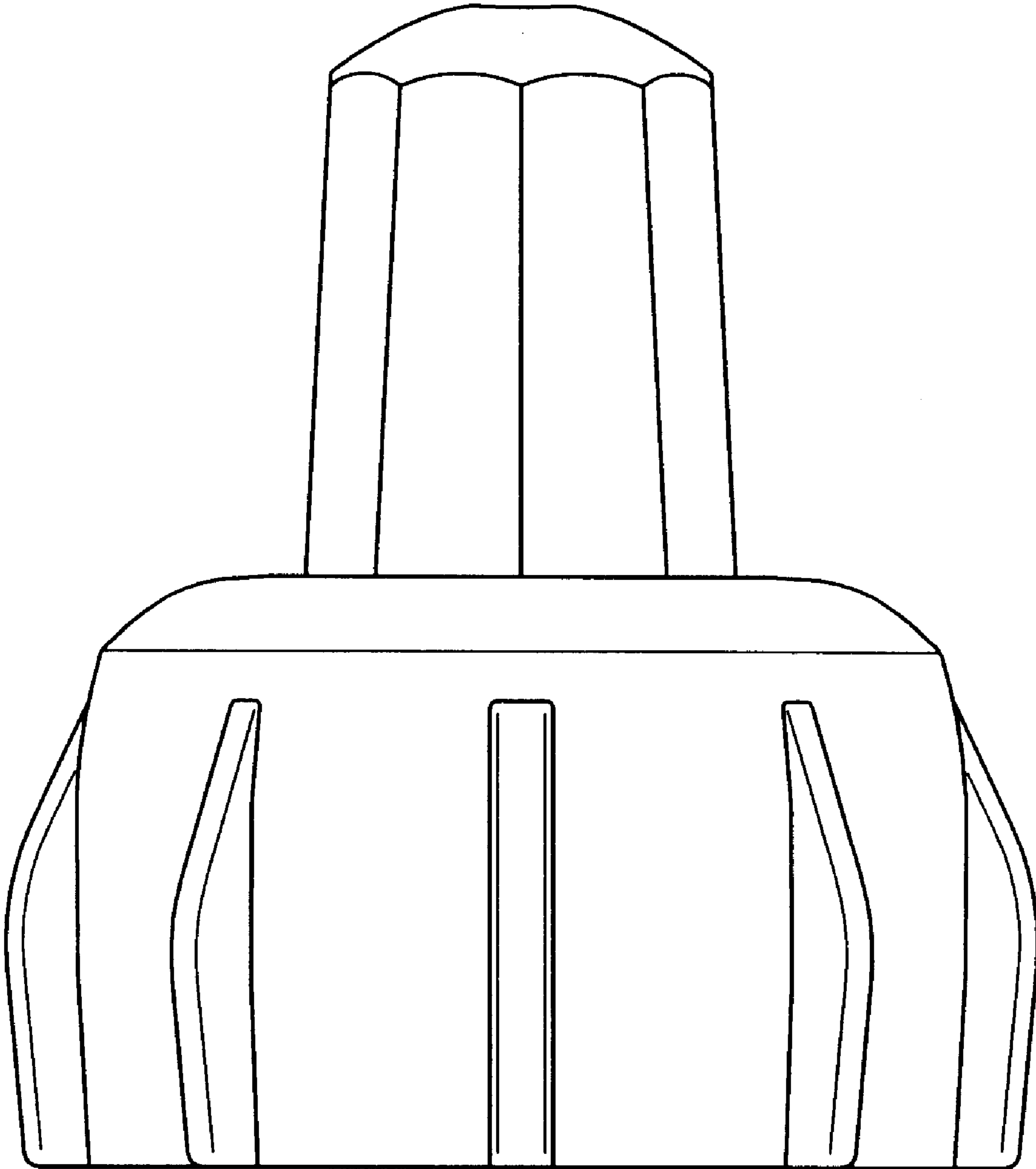


FIG.4



**FIG.5**