



US00D522359S

(12) **United States Design Patent**
Van Diepen et al.

(10) **Patent No.:** **US D522,359 S**
(45) **Date of Patent:** **** Jun. 6, 2006**

(54) **BOTTLE NOZZLE**

(75) Inventors: **Jacobus S. Van Diepen**, Berkshire
(GB); **Shaun Rymer**, East Yorkshire
(GB)

(73) Assignee: **Reckitt Beckiser N.V.**, Hoofddrop (NL)

(**) Term: **14 Years**

(21) Appl. No.: **29/202,565**

(22) Filed: **Apr. 1, 2004**

(30) **Foreign Application Priority Data**

Oct. 2, 2003 (EM) 82425

(51) **LOC (8) Cl.** **09-07**

(52) **U.S. Cl.** **D9/447**

(58) **Field of Classification Search** D9/453,
D9/452, 449, 447, 446, 435, 444; D7/516,
D7/511, 510, 392.1; D24/197; 215/11.1;
220/713; 222/109, 129, 145, 207, 212, 485,
222/80, 94

See application file for complete search history.

(56) **References Cited**

U.S. PATENT DOCUMENTS

D143,289 S * 12/1945 Elsas et al. D9/447
5,062,550 A * 11/1991 Singh 222/80
D349,647 S * 8/1994 Moffitt D9/435
5,361,947 A * 11/1994 Lifshey 222/212

D359,680 S * 6/1995 Lifshey D9/417
5,873,494 A * 2/1999 Dallas, Jr. 222/129
D431,158 S * 9/2000 Schwab D7/510
6,785,411 B1 * 8/2004 Kitajima et al. 382/133
D501,139 S * 1/2005 Conway et al. D9/444

* cited by examiner

Primary Examiner—Robert M. Spear

Assistant Examiner—Susan Bennett Hattan

(74) *Attorney, Agent, or Firm*—Akin Gump Strauss Hauer
& Feld, LLP

(57) **CLAIM**

The ornamental design for a bottle nozzle, as shown and described.

DESCRIPTION

FIG. 1 is a front perspective view of a bottle nozzle in accordance with our new design;

FIG. 2 is a front elevational view thereof;

FIG. 3 is a rear elevational view thereof;

FIG. 4 is a left side elevational view thereof;

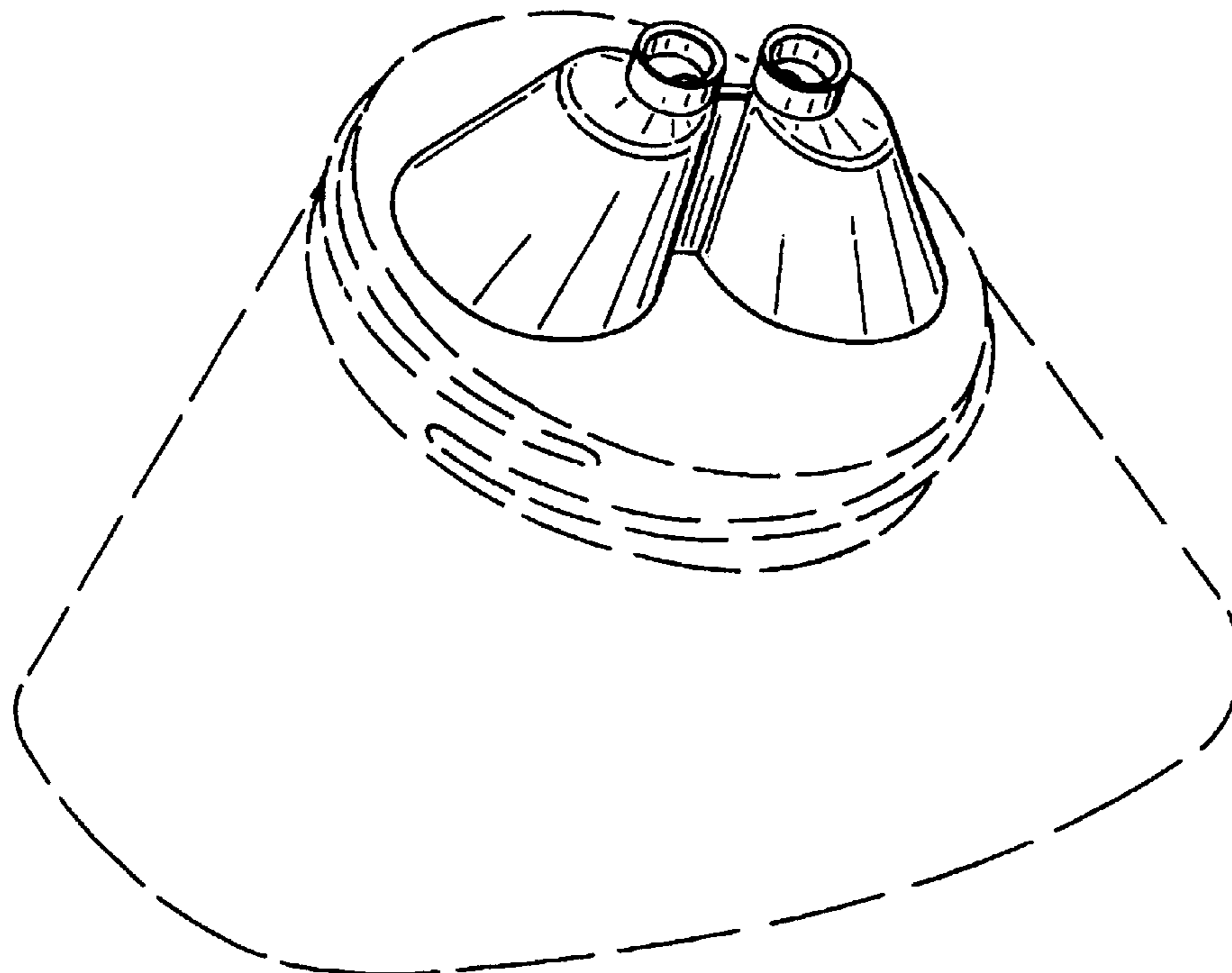
FIG. 5 is a right side elevational view thereof; and,

FIG. 6 is a top plan view thereof.

The broken lines in the figures are for illustrative purposes only and form no part of the claimed design.

The bottom view of the bottle nozzle is not shown in the drawings or described in the specification and, therefore, forms no part of the claimed design.

1 Claim, 3 Drawing Sheets



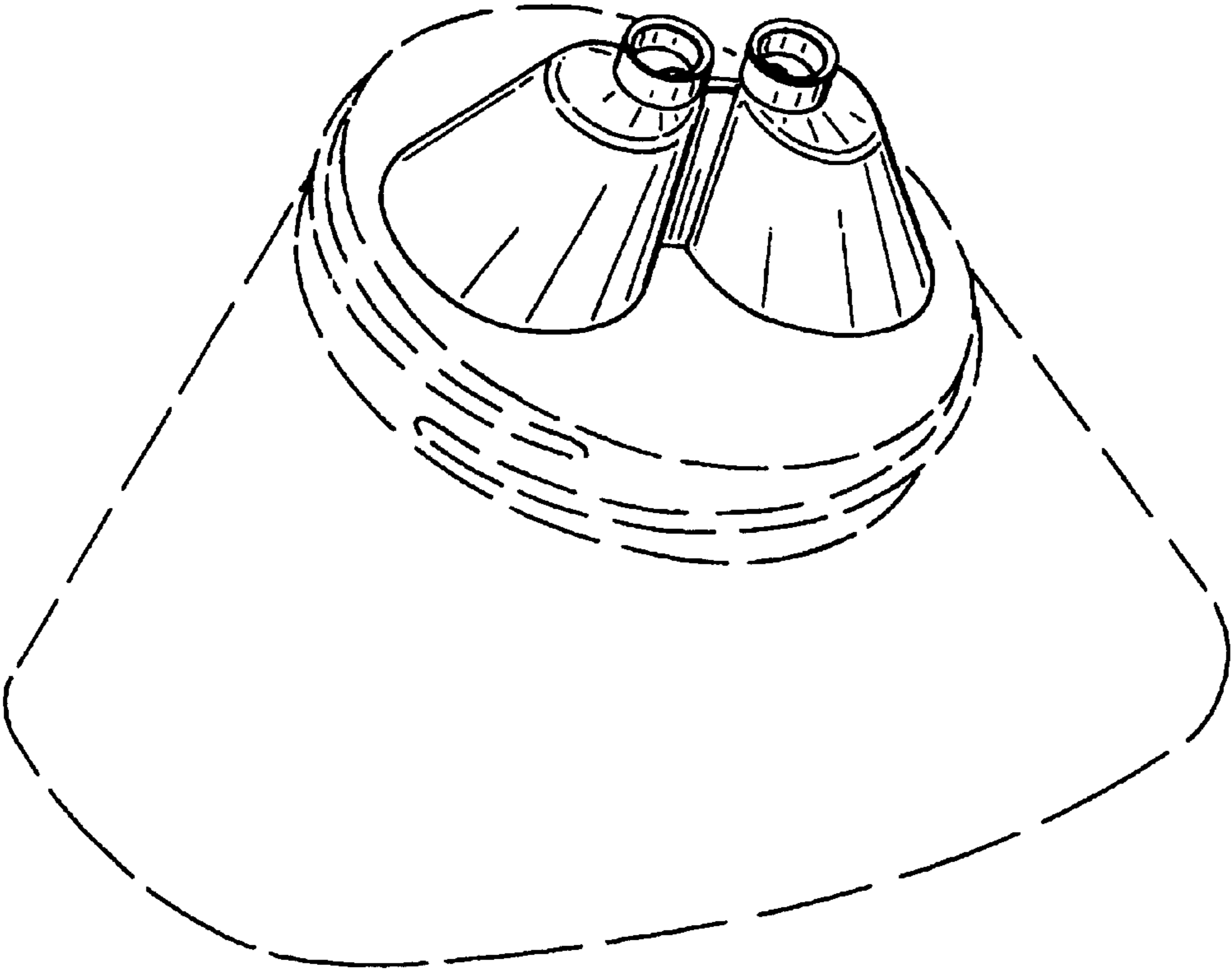


Fig.1.

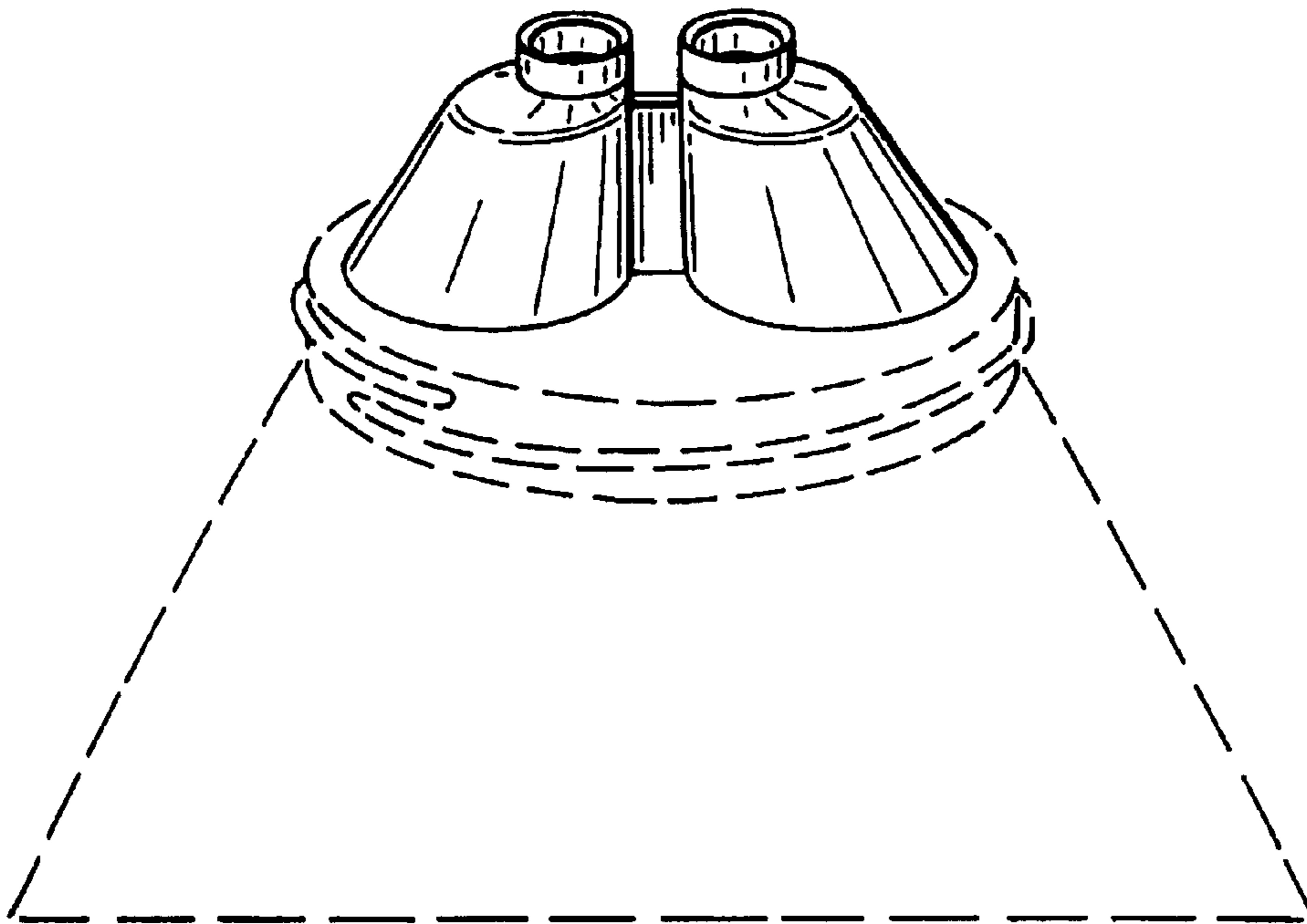


Fig.2.

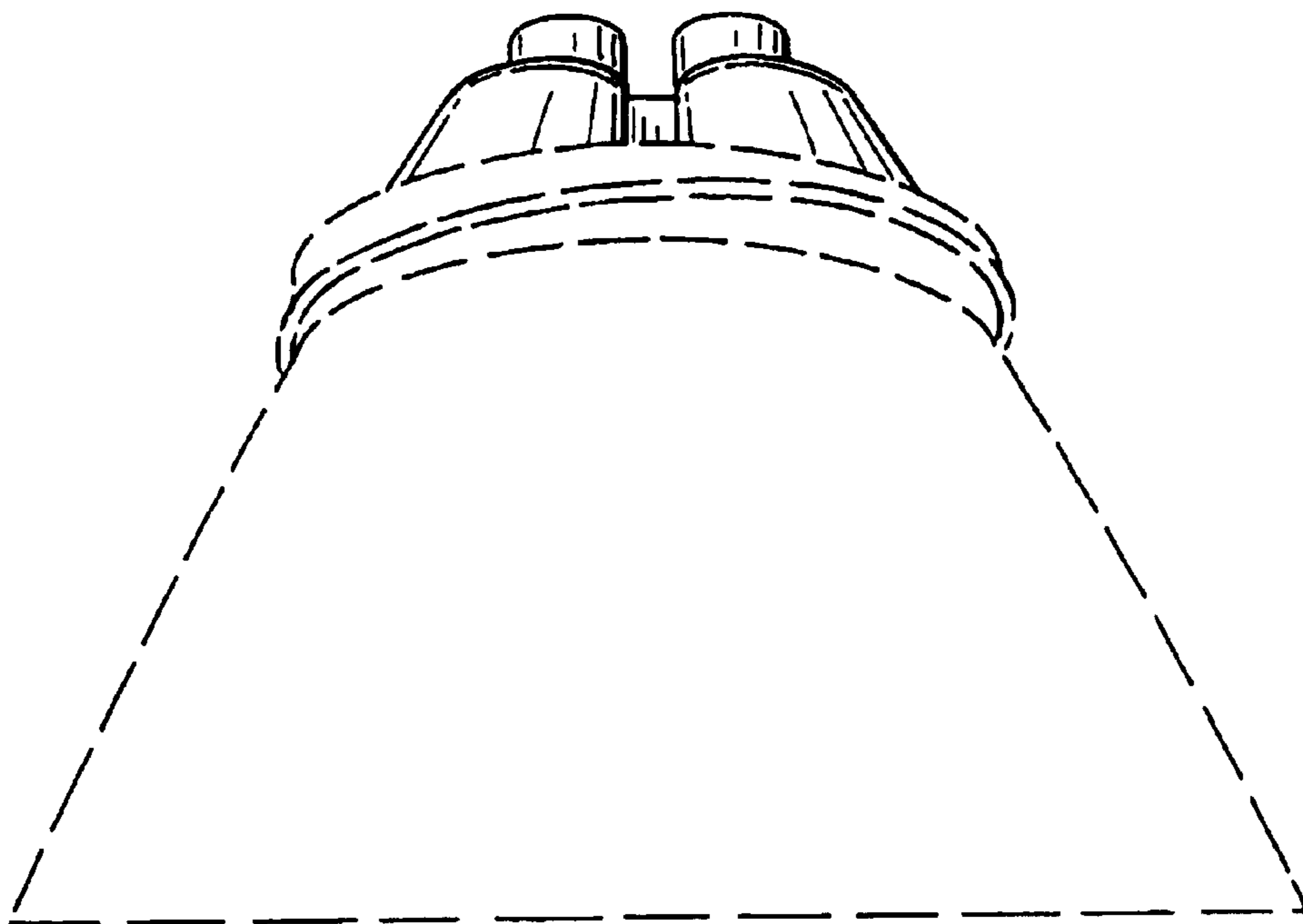


Fig.3.

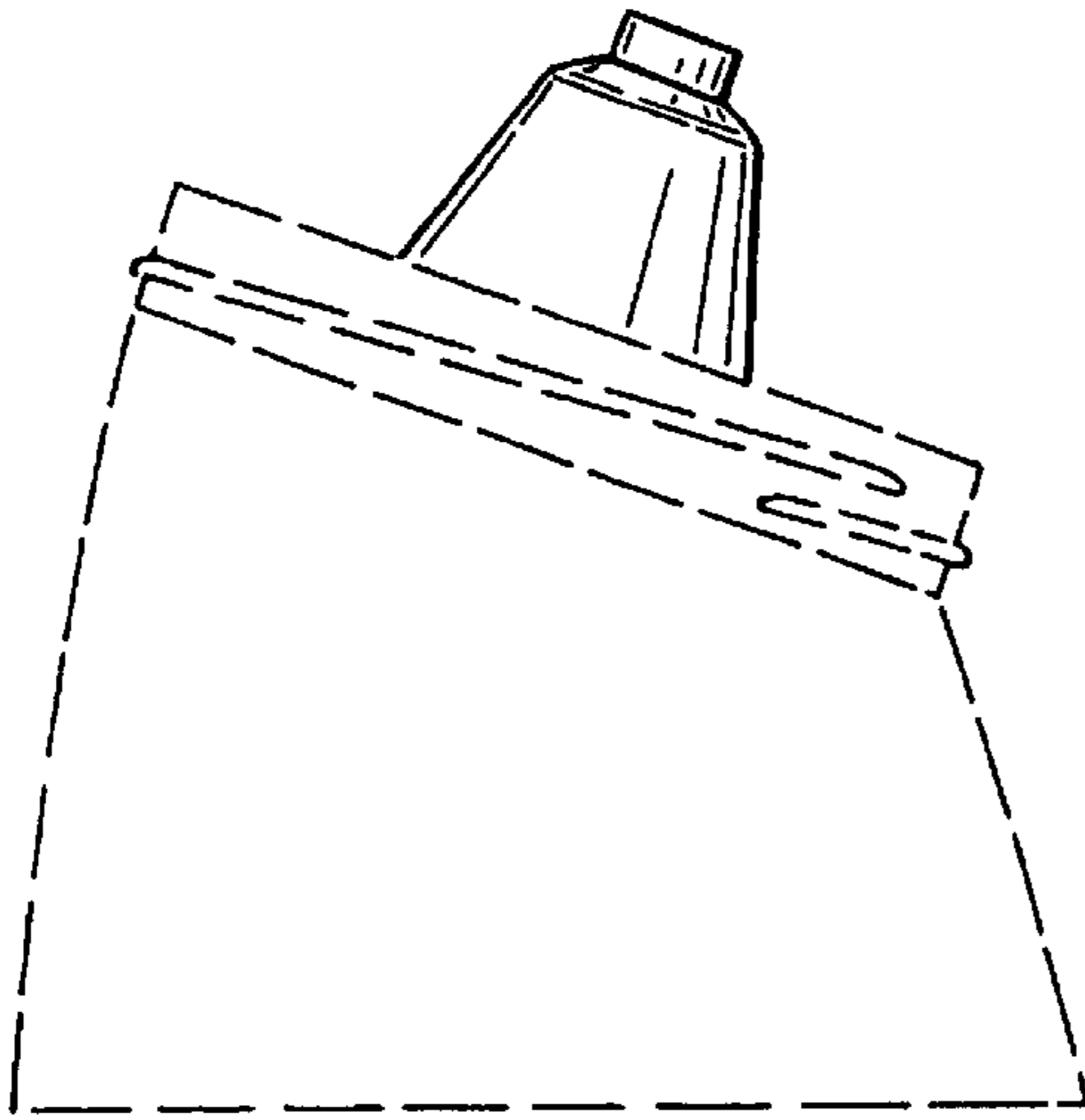


Fig.4.

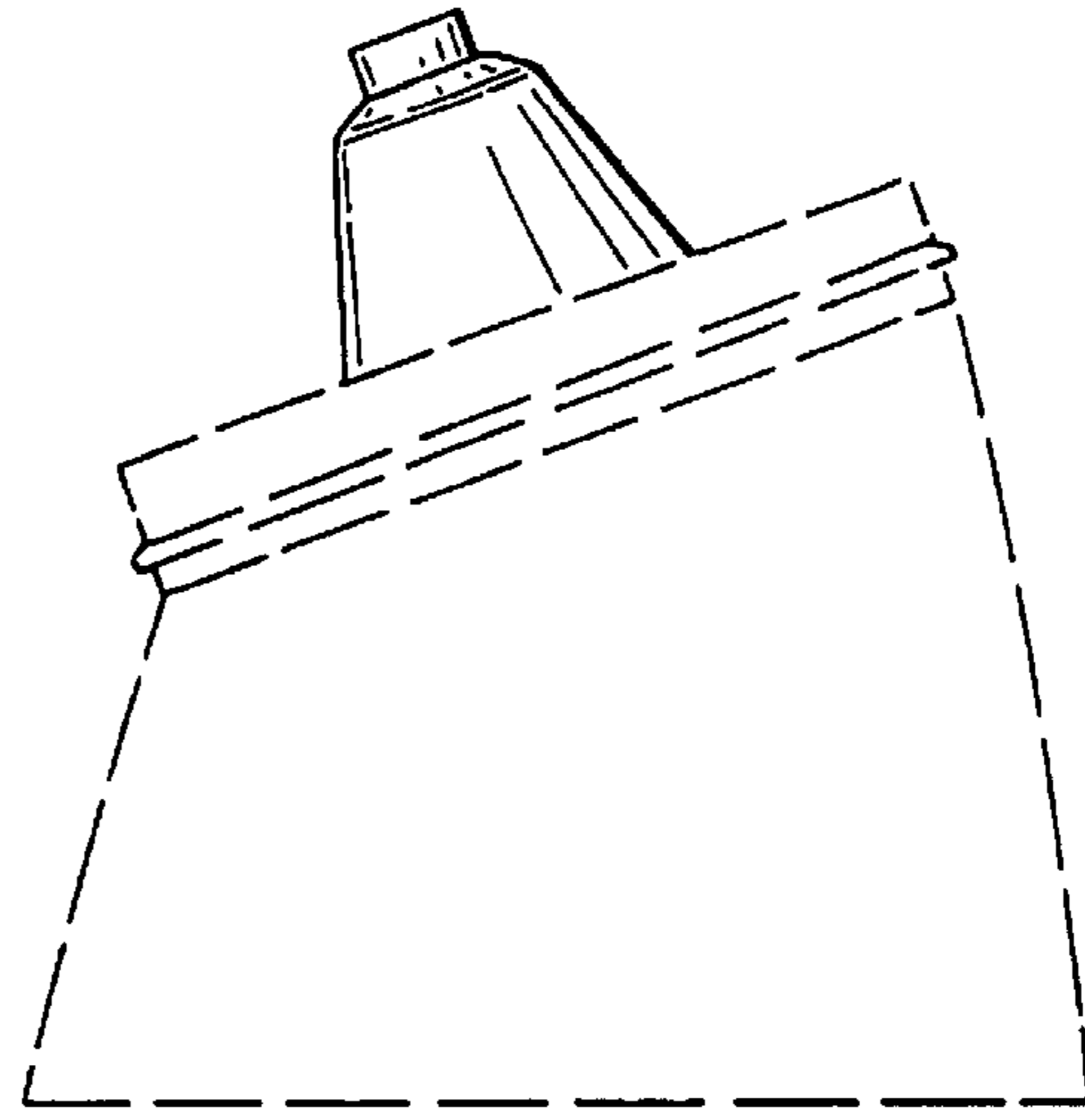


Fig.5.

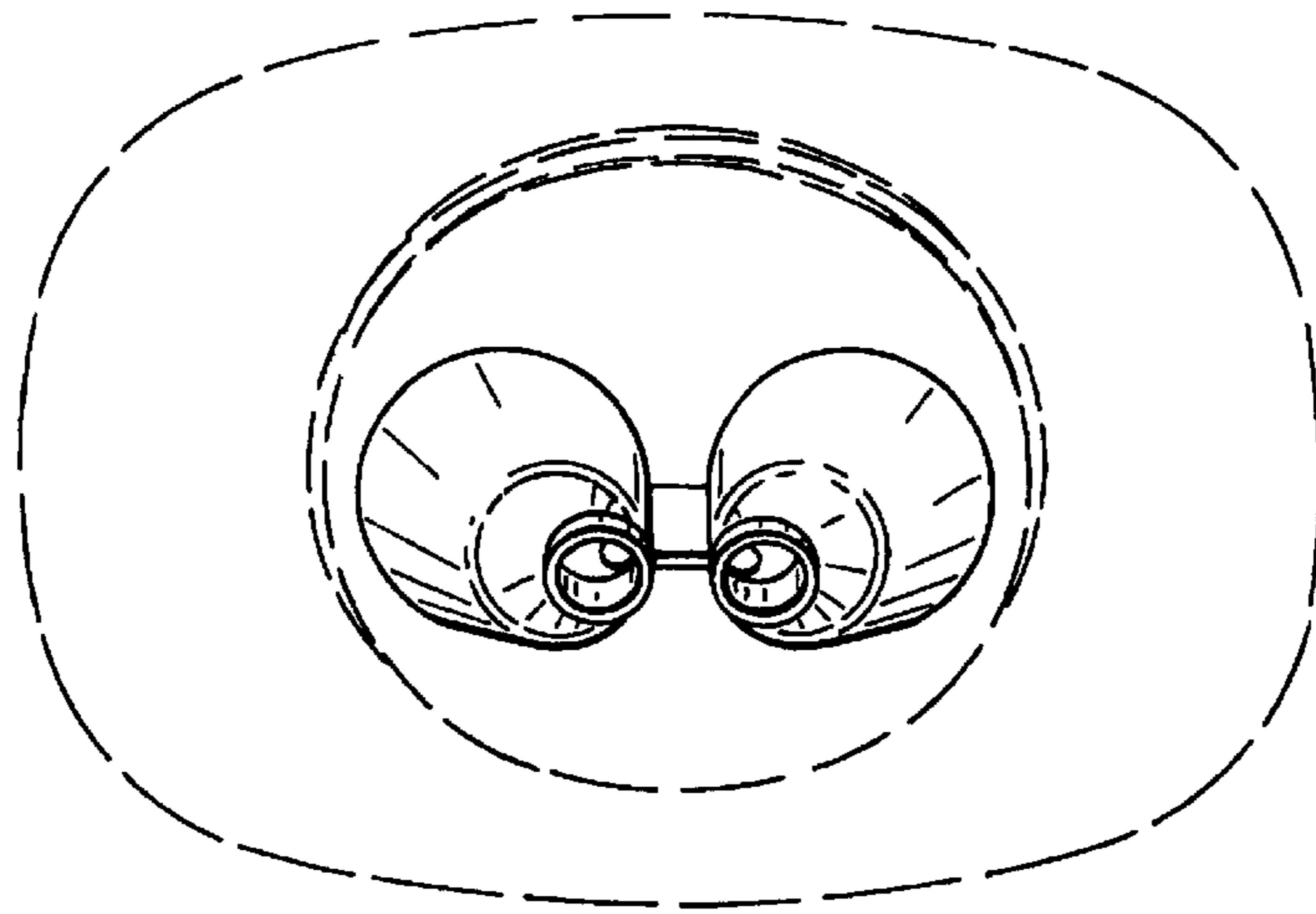


Fig.6.