



US00D522357S

(12) **United States Design Patent**
Kohnke et al.

(10) **Patent No.:** **US D522,357 S**

(45) **Date of Patent:** **** Jun. 6, 2006**

(54) **OPTICAL MEDIA REPAIR MAILING PACKAGE**

(75) Inventors: **Ryan Kohnke**, Chandler, AZ (US);
Chad Seaverns, Scottsdale, AZ (US);
Mark Colletti, Tempe, AZ (US)

(73) Assignee: **Optical Media Solutions, LLC**,
Scottsdale, AZ (US)

(**) Term: **14 Years**

(21) Appl. No.: **29/187,037**

(22) Filed: **Jul. 25, 2003**

(51) **LOC (8) Cl.** **09-03**

(52) **U.S. Cl.** **D9/432; D9/433**

(58) **Field of Classification Search** D9/414,
D9/416, 420-423, 432, 433, 715, 721; D14/478;
229/103.3, 87.18, 72, 921, 142; 206/424,
206/232, 308.1, 308.3, 307

See application file for complete search history.

(56) **References Cited**

U.S. PATENT DOCUMENTS

- 2,011,703 A * 8/1935 Barker 206/424
- 4,046,311 A * 9/1977 Voytko 229/103.3
- 4,433,780 A * 2/1984 Ellis 206/232
- 4,905,831 A * 3/1990 Bagdis et al. 206/308.3

- 5,188,229 A * 2/1993 Bernstein 206/308.1
- D386,686 S * 11/1997 Alico et al. D9/433
- D430,445 S * 9/2000 Pozzoli D6/634
- D436,966 S * 1/2001 Ryan D14/478
- D451,384 S * 12/2001 Faulstich D9/422

* cited by examiner

Primary Examiner—Stella Reid

Assistant Examiner—Mark Goodwin

(74) *Attorney, Agent, or Firm*—Jeffrey D. Moy; Harry M. Weiss; Weiss, Moy & Harris, P.C.

(57) **CLAIM**

The ornamental design for an optical media repair mailing package, as shown and described.

DESCRIPTION

FIG. 1 is an elevated perspective view of the ornamental design for an optical media repair mailing package showing my new design;

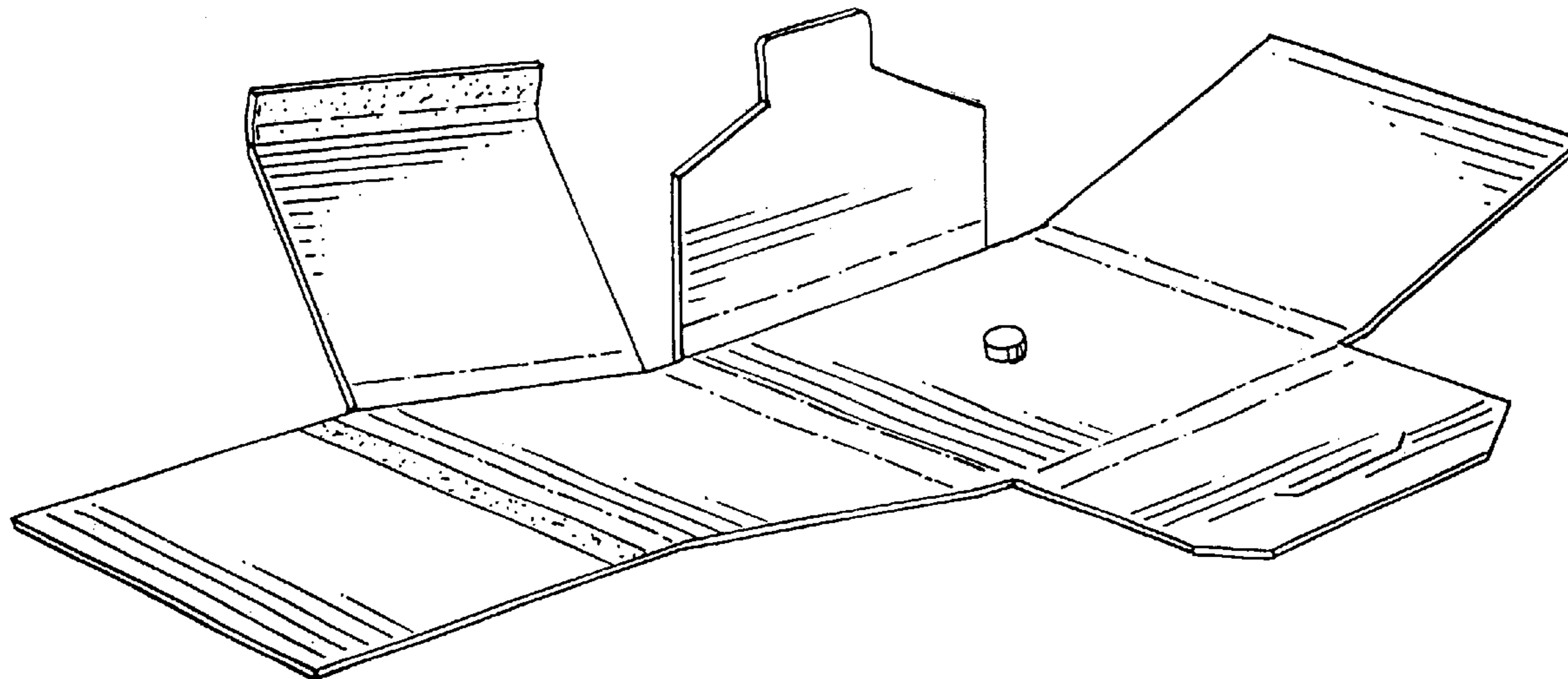
FIG. 2 is an unfolded bottom view of the optical media repair mailing package;

FIG. 3 is an unfolded front view thereof; and,

FIG. 4 is a elevated rear view thereof.

The dot-dash lines on the surface of the claim represent fold lines and the broken line showing in FIGS. 1, 2, and 4 is for illustrative purposes only and forms no part of the claimed design.

1 Claim, 2 Drawing Sheets



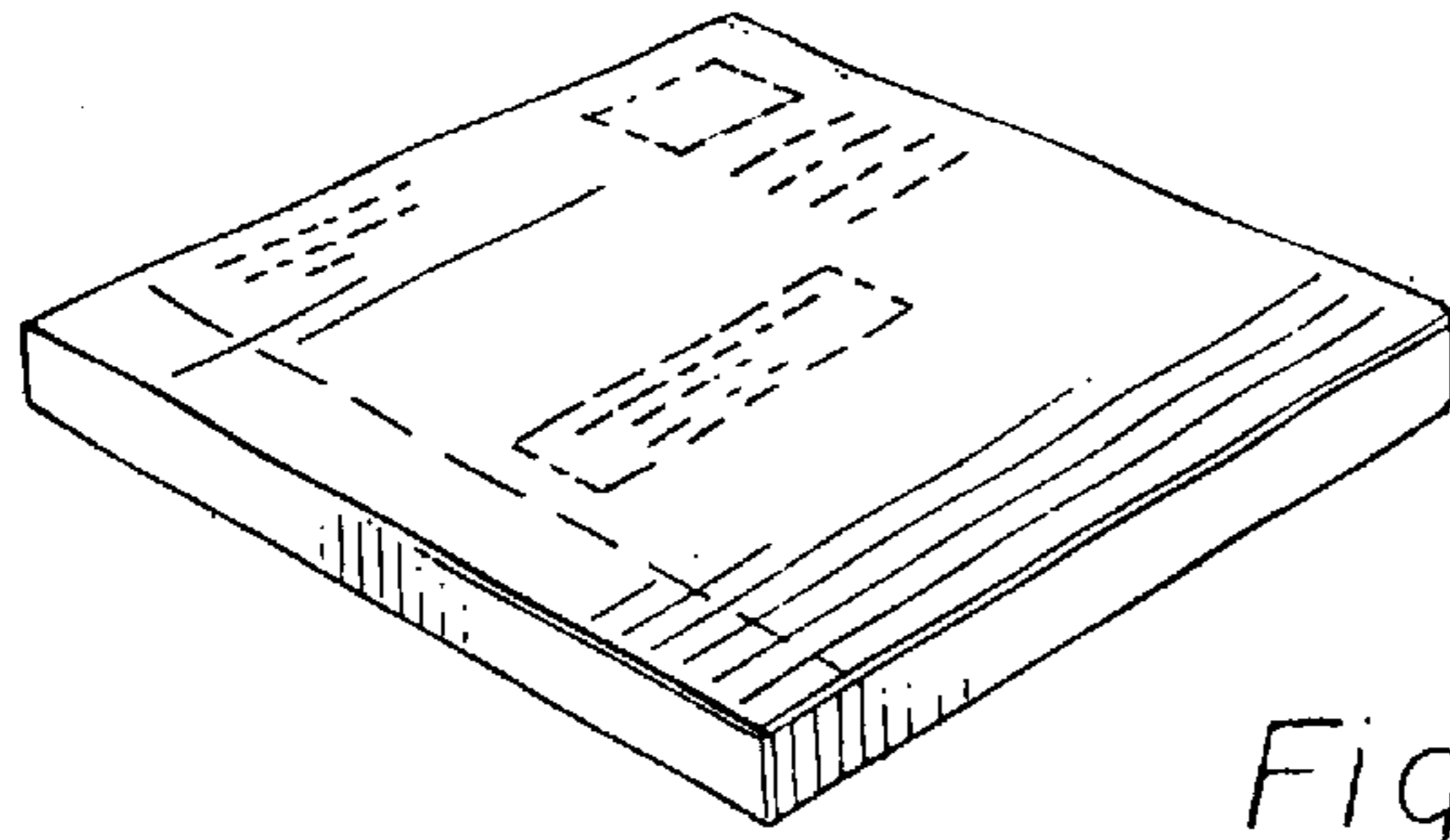


Fig. 1

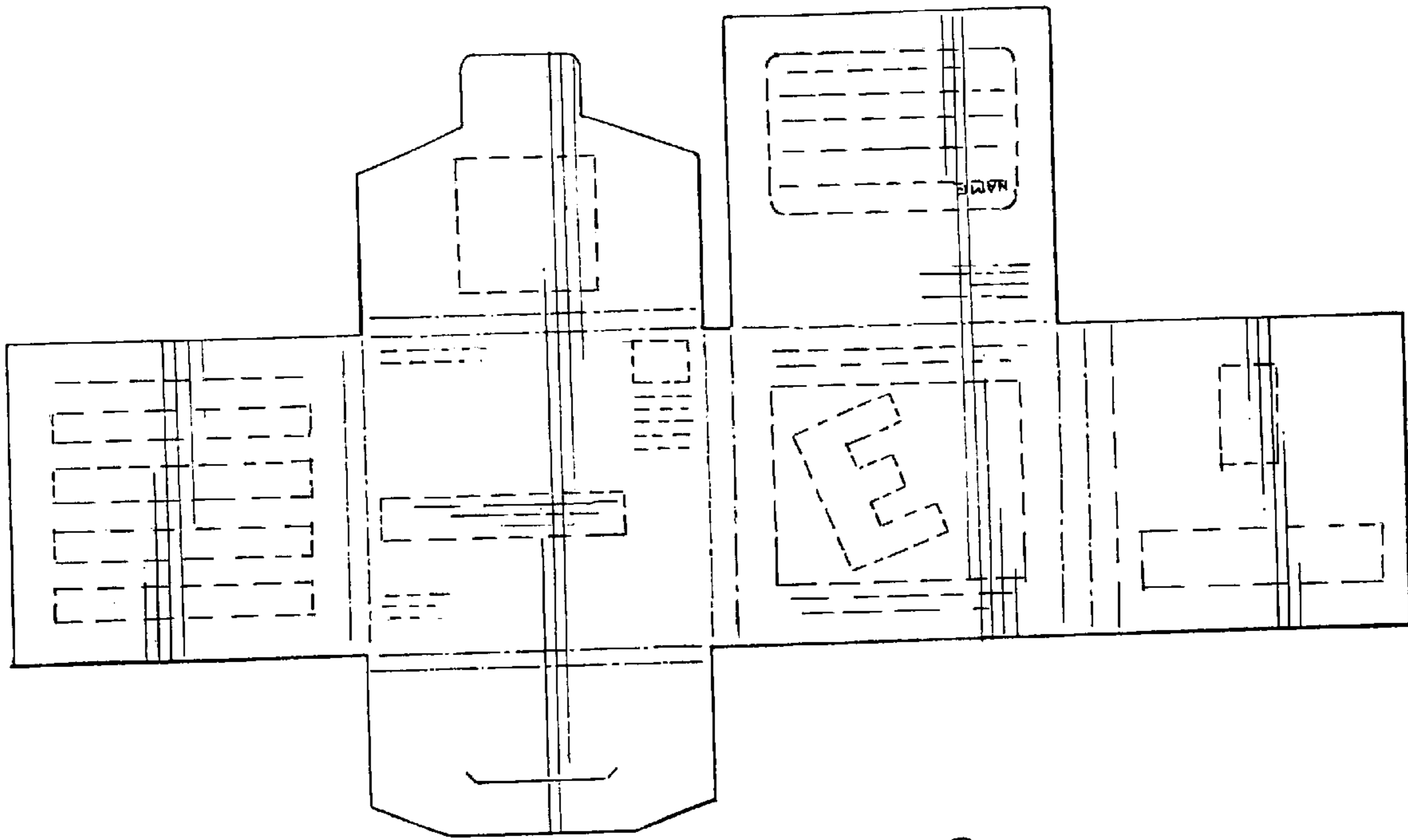


Fig. 2

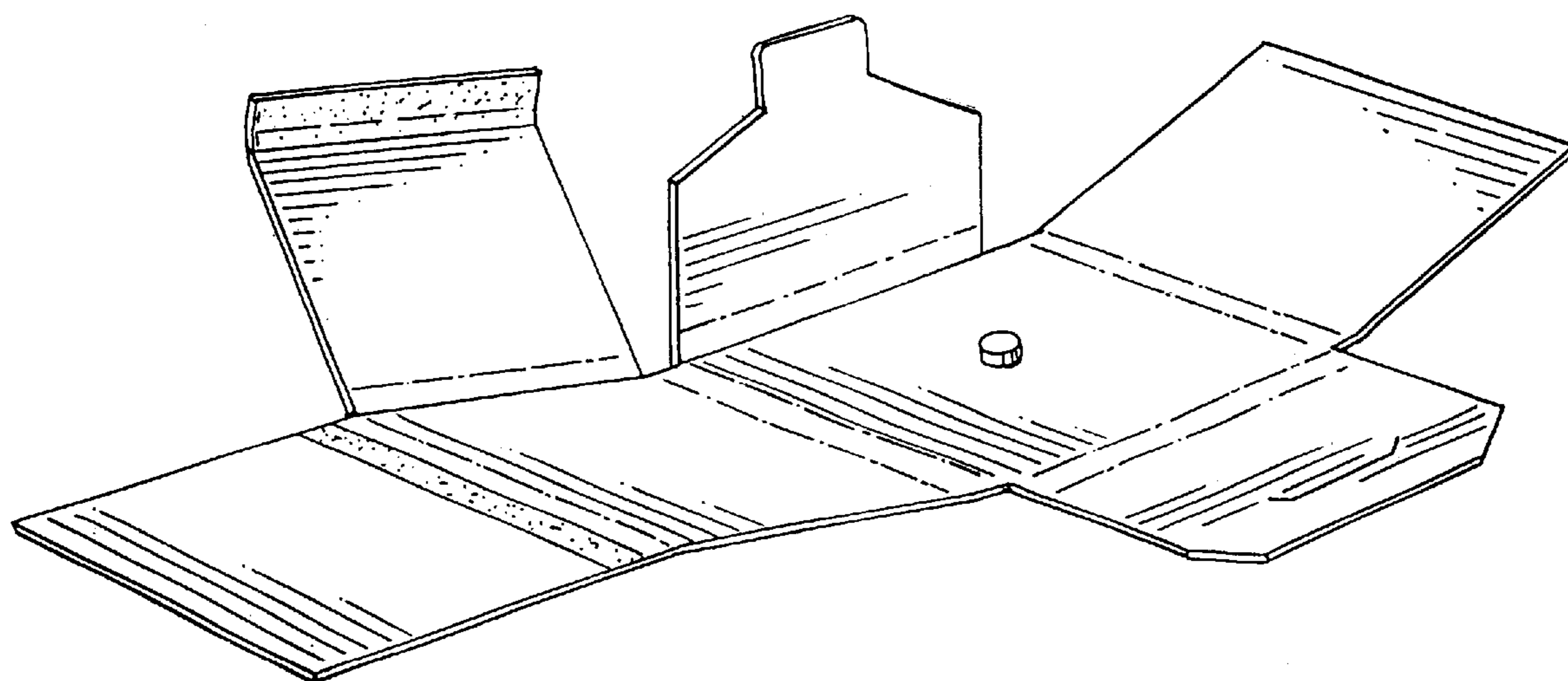


Fig. 3

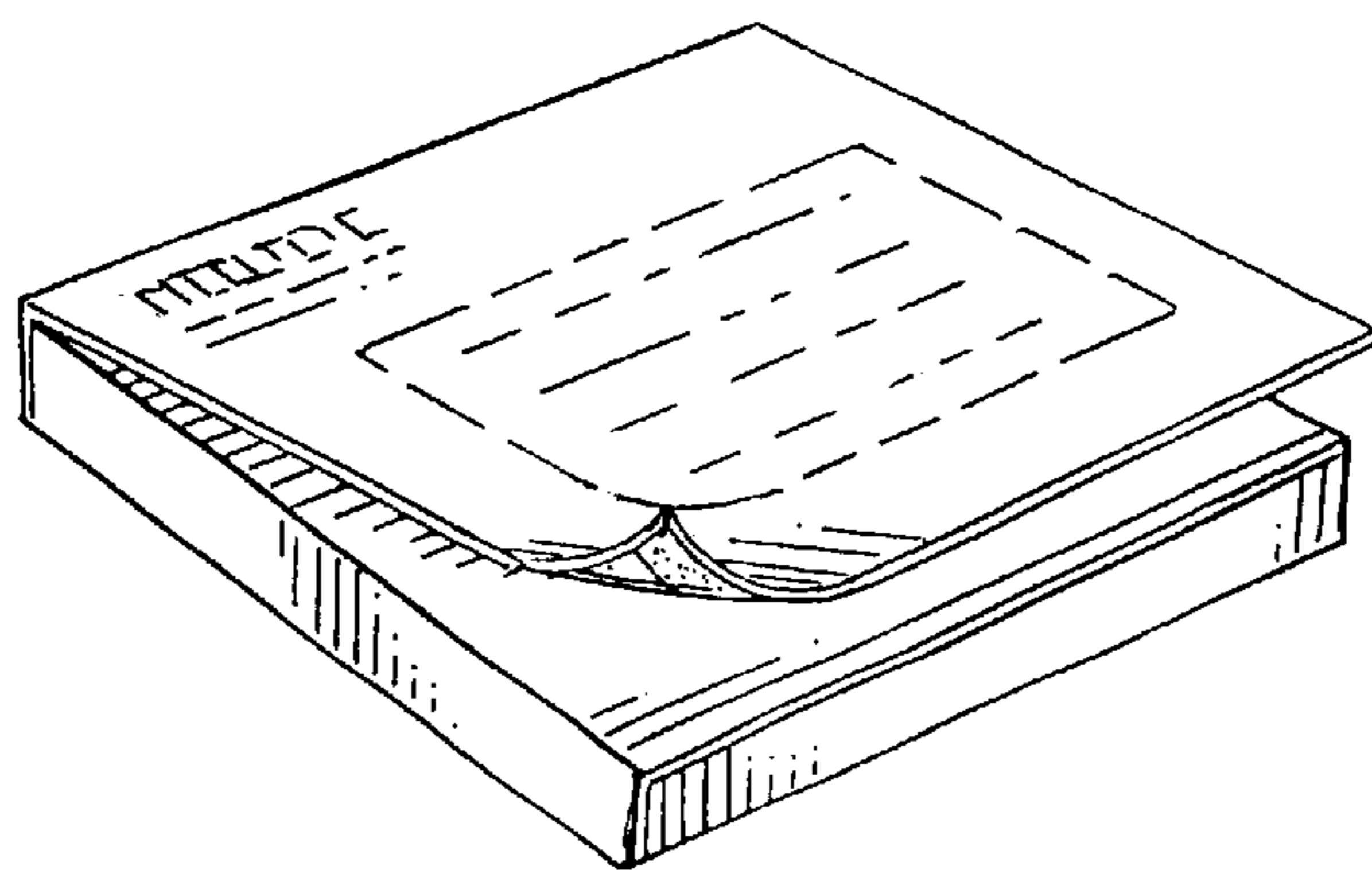


Fig. 4