



US00D522355S

(12) **United States Design Patent**  
**Castellanos et al.**

(10) **Patent No.: US D522,355 S**

(45) **Date of Patent: \*\* Jun. 6, 2006**

(54) **FOOD PACKAGE**

(75) Inventors: **Carolina Castellanos**, DeForest, WI (US); **Daniel Eugene Doucette**, DeForest, WI (US)

(73) Assignee: **Kraft Foods Holdings, Inc.**, Northfield, IL (US)

(\*\*) **Term: 14 Years**

(21) **Appl. No.: 29/193,798**

(22) **Filed: Nov. 14, 2003**

**Related U.S. Application Data**

(63) Continuation-in-part of application No. 29/168,249, filed on Sep. 27, 2002, now Pat. No. Des. 482,277.

(51) **LOC (8) Cl. .... 09-03**

(52) **U.S. Cl. .... D9/425; D9/418; D9/429**

(58) **Field of Classification Search** ..... D9/425, D9/418, 414, 424, 428, 429, 432; D7/629, D7/602; D3/273, 274; 206/216, 541, 203, 206/508, 518, 484, 484.1, 557, 484.2; 220/556, 220/241, 242, 781, 376, 664; 229/406, 407, 229/902, 938; 426/106, 125  
See application file for complete search history.

(56) **References Cited**

**U.S. PATENT DOCUMENTS**

- 3,154,215 A \* 10/1964 Le Vesconte ..... 206/518
- 3,344,974 A 10/1967 Bostrom
- D227,083 S \* 6/1973 Anderson et al. .... D9/416
- D276,026 S 10/1984 Hexamer
- 4,538,651 A \* 9/1985 Lykins ..... 141/1
- D296,191 S \* 6/1988 Yoshida et al. .... D9/425
- 4,935,252 A 6/1990 Huang et al.
- 4,946,038 A 8/1990 Eaton
- 5,123,527 A 6/1992 Hustad
- 5,167,973 A \* 12/1992 Snyder ..... 426/115

- D334,141 S 3/1993 Gottofredi
- D334,536 S \* 4/1993 Long et al. .... D9/425
- D336,850 S \* 6/1993 Guillin ..... D9/429
- D337,268 S \* 7/1993 Detert et al. .... D9/418
- 5,236,119 A \* 8/1993 Chu ..... 229/407
- D348,394 S 7/1994 Dreyer
- D349,456 S 8/1994 Wilson
- 5,421,510 A \* 6/1995 Calvert ..... 229/125.35
- D368,030 S 3/1996 Elbaz
- 5,747,084 A 5/1998 Cochran et al.
- D430,023 S 8/2000 Shurtleff et al.
- D450,240 S 11/2001 Haag et al.
- D482,277 S 11/2003 Castellanos et al.

\* cited by examiner

*Primary Examiner*—Prabhakar Deshmukh

(74) *Attorney, Agent, or Firm*—Fitch, Even, Tabin & Flannery

(57) **CLAIM**

We claim the ornamental design for a food package, as shown and described.

**DESCRIPTION**

FIG. 1 is a perspective view of a food container showing our new design, in it's display condition in which some portions of the design are not shown for clarity of illustration;

FIG. 2 is a perspective view thereof;

FIG. 3 is a front elevational view thereof;

FIG. 4 is a top plan view thereof;

FIG. 5 is a bottom plan view thereof;

FIG. 6 is a rear elevational view thereof;

FIG. 7 is a right side elevational view thereof;

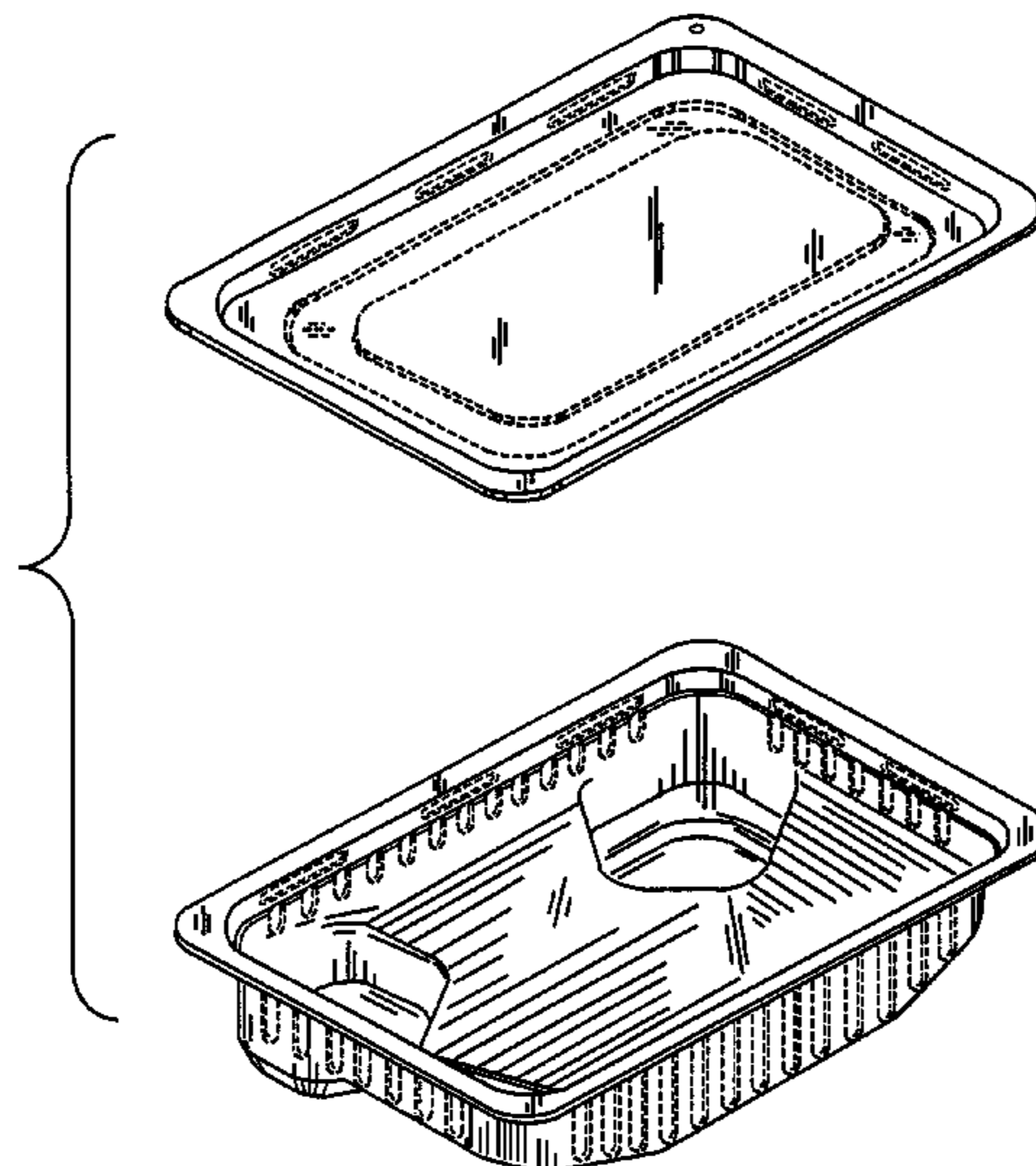
FIG. 8 is a left side elevational view thereof; and,

FIG. 9 is an exploded perspective view thereof.

The broken lines, which define the bounds of the claimed design form no part thereof.

The broken lines showing of label in FIG. 1 and other broken lines in the drawings form no part of the claimed design.

**1 Claim, 4 Drawing Sheets**



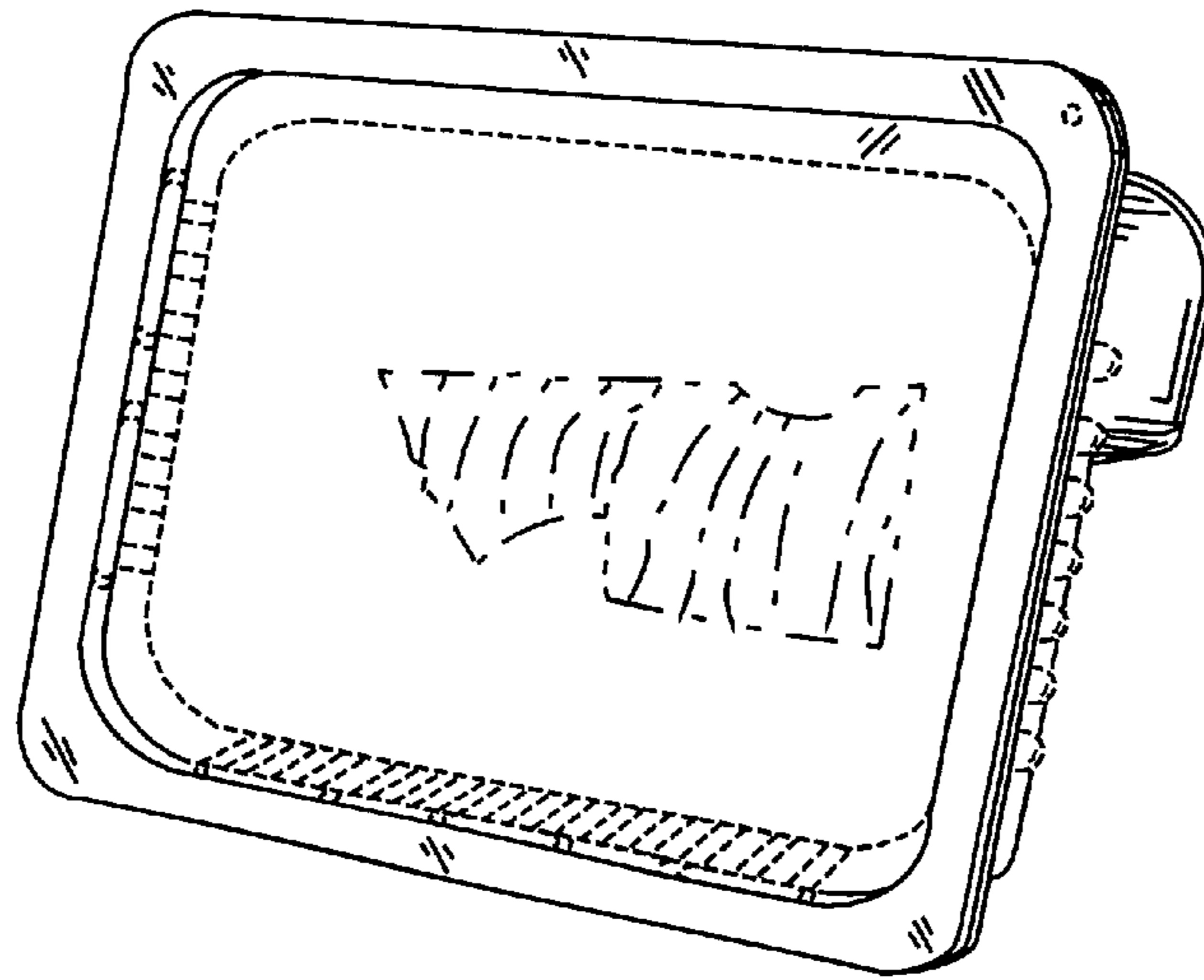


FIG. 1

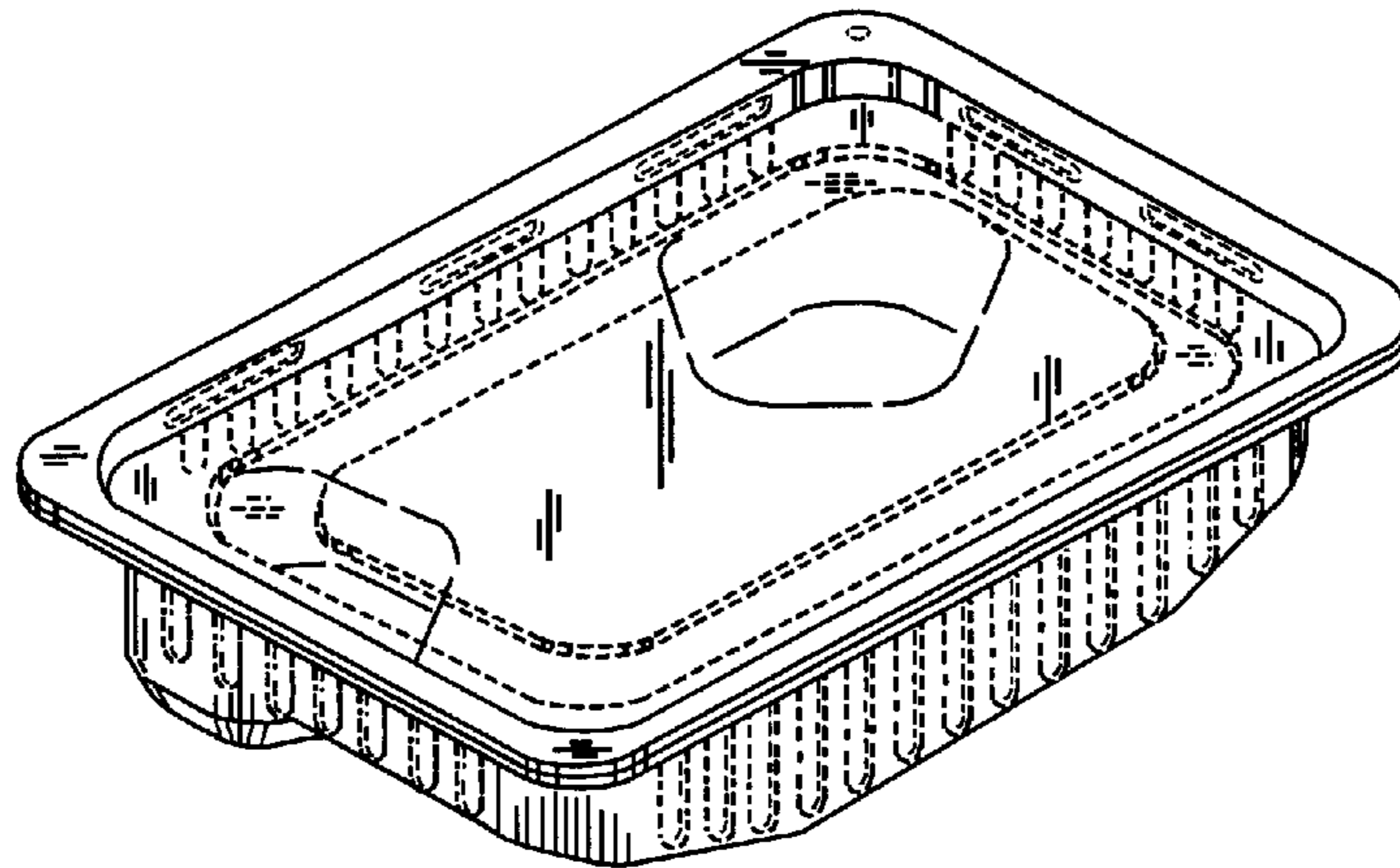


FIG. 2

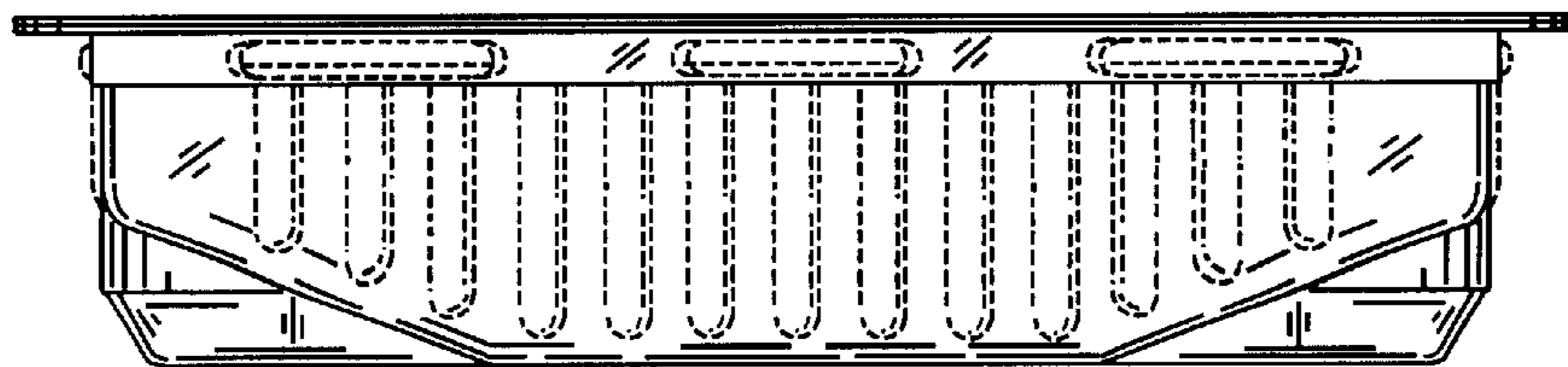


FIG. 3

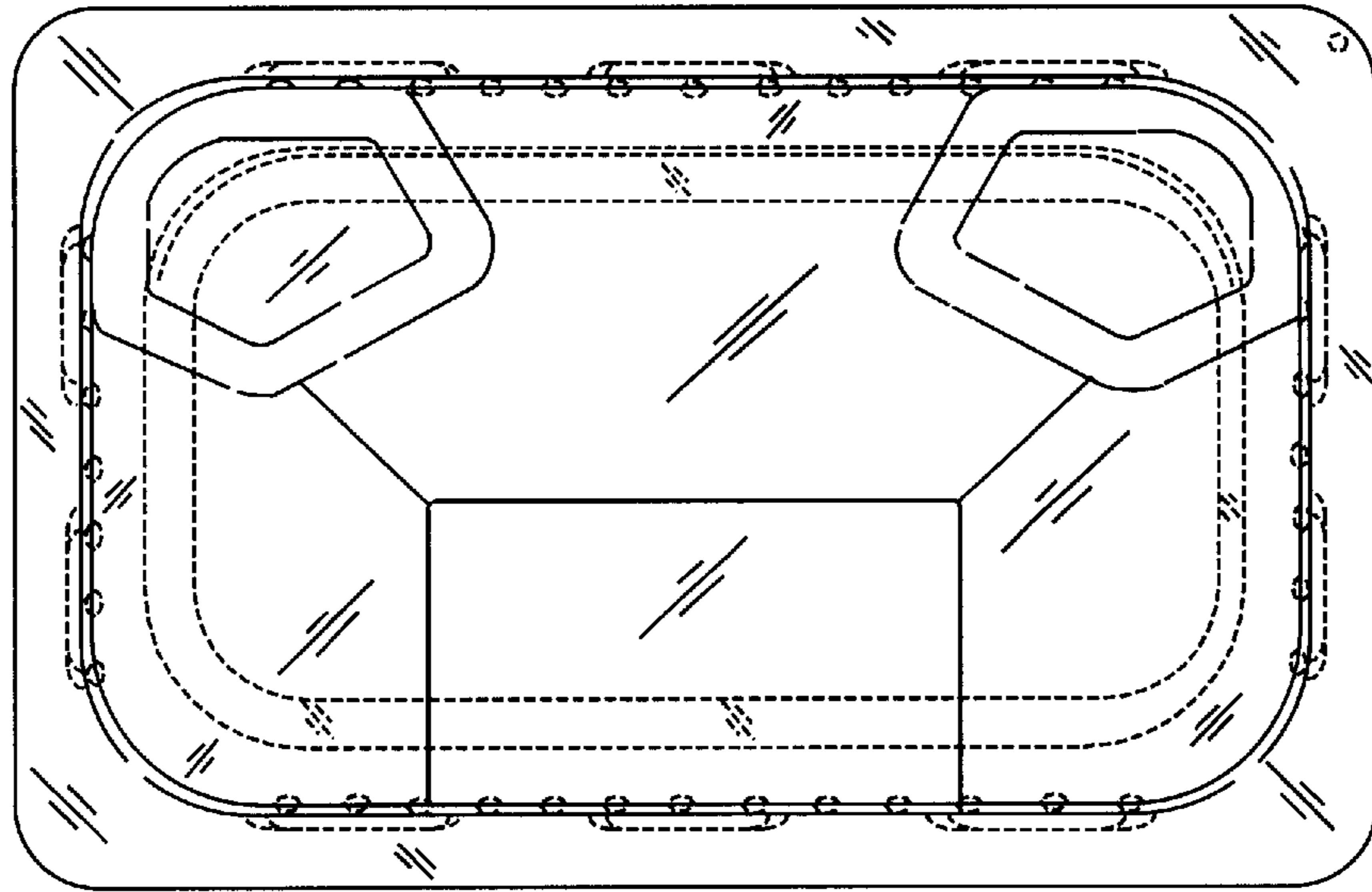


FIG. 4

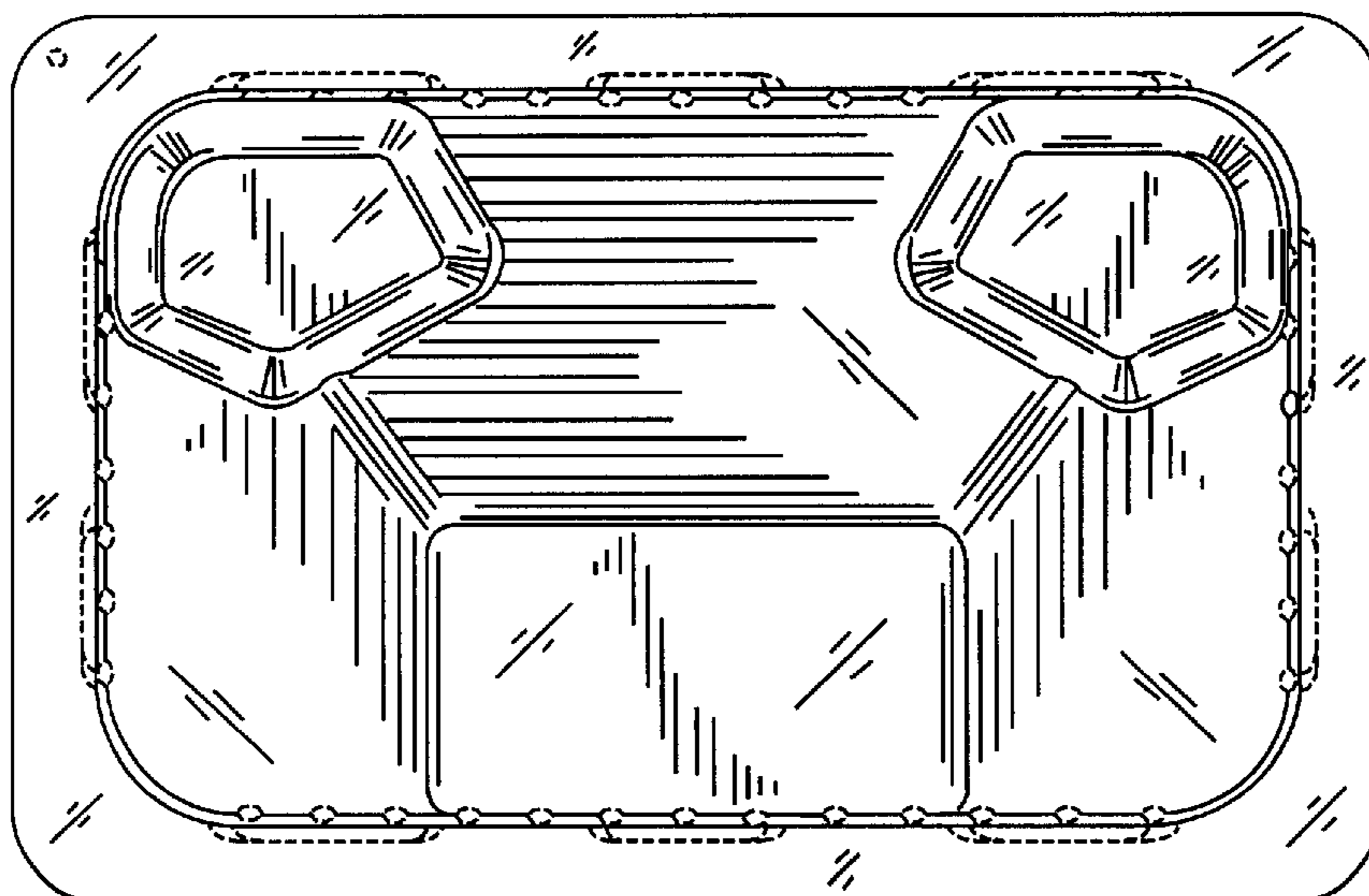


FIG. 5

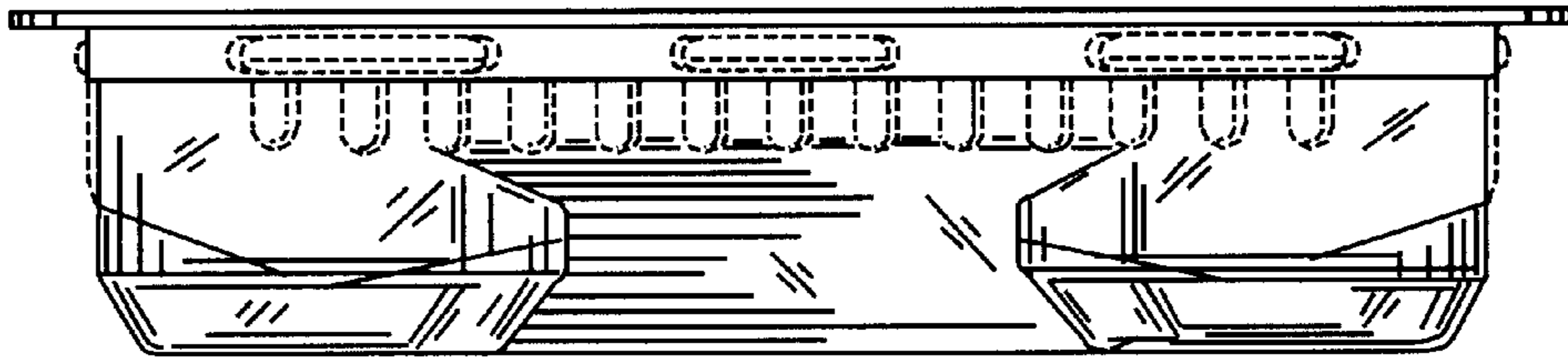


FIG. 6

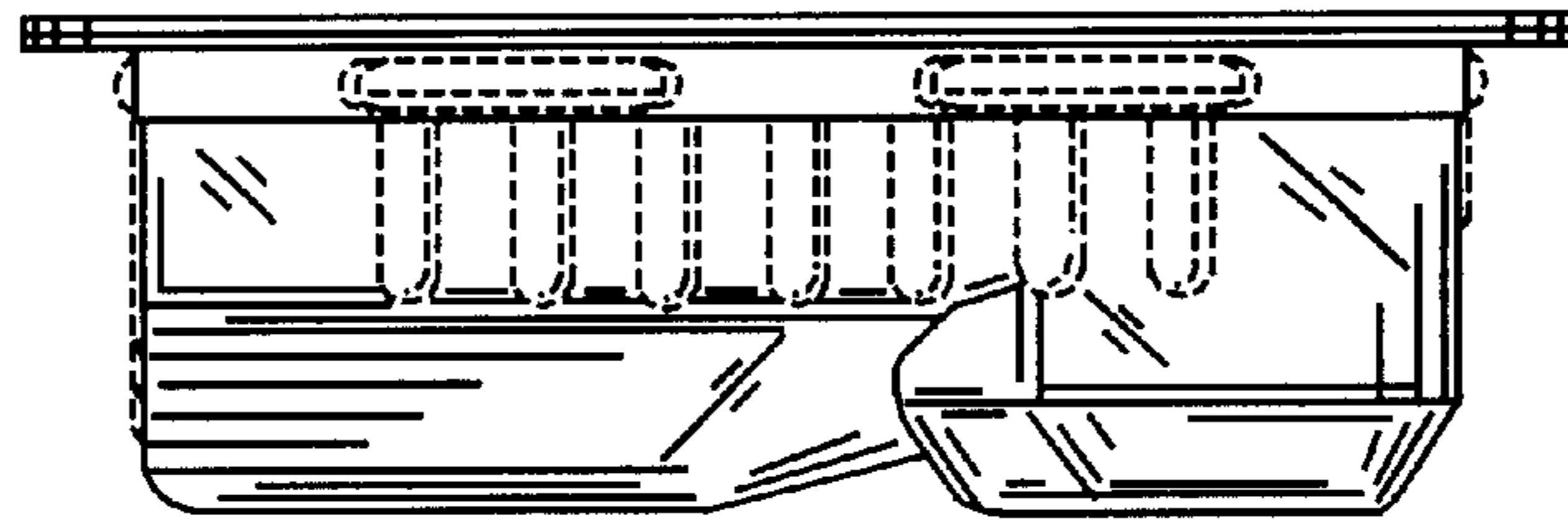


FIG. 7

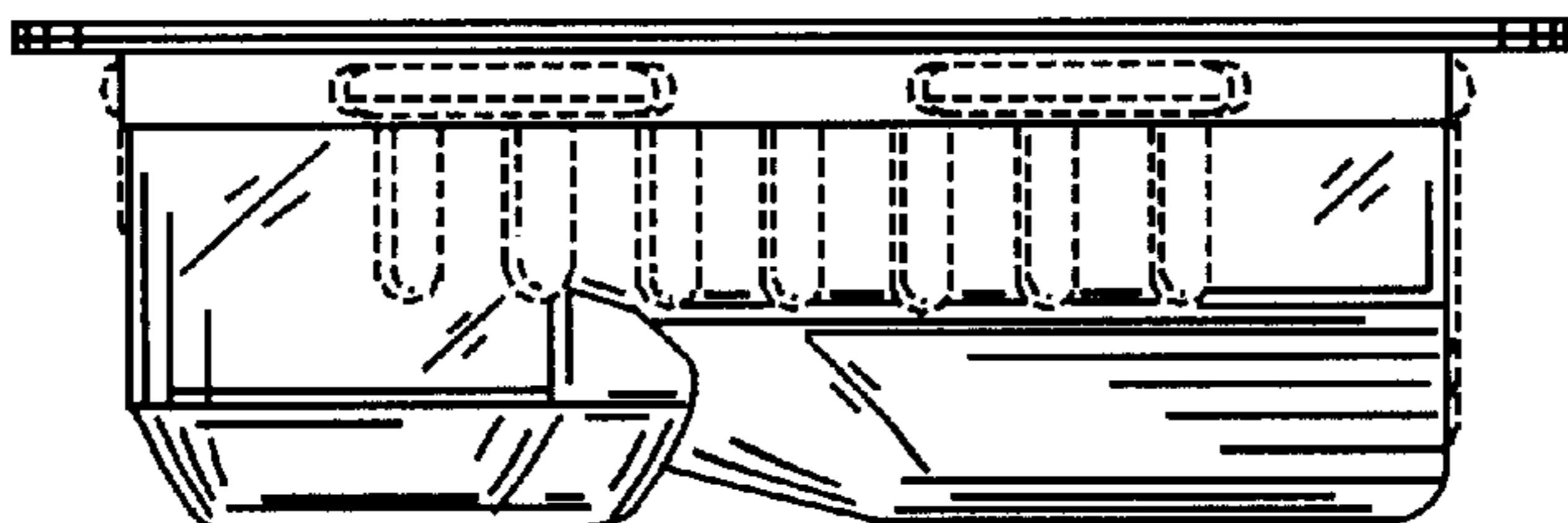


FIG. 8

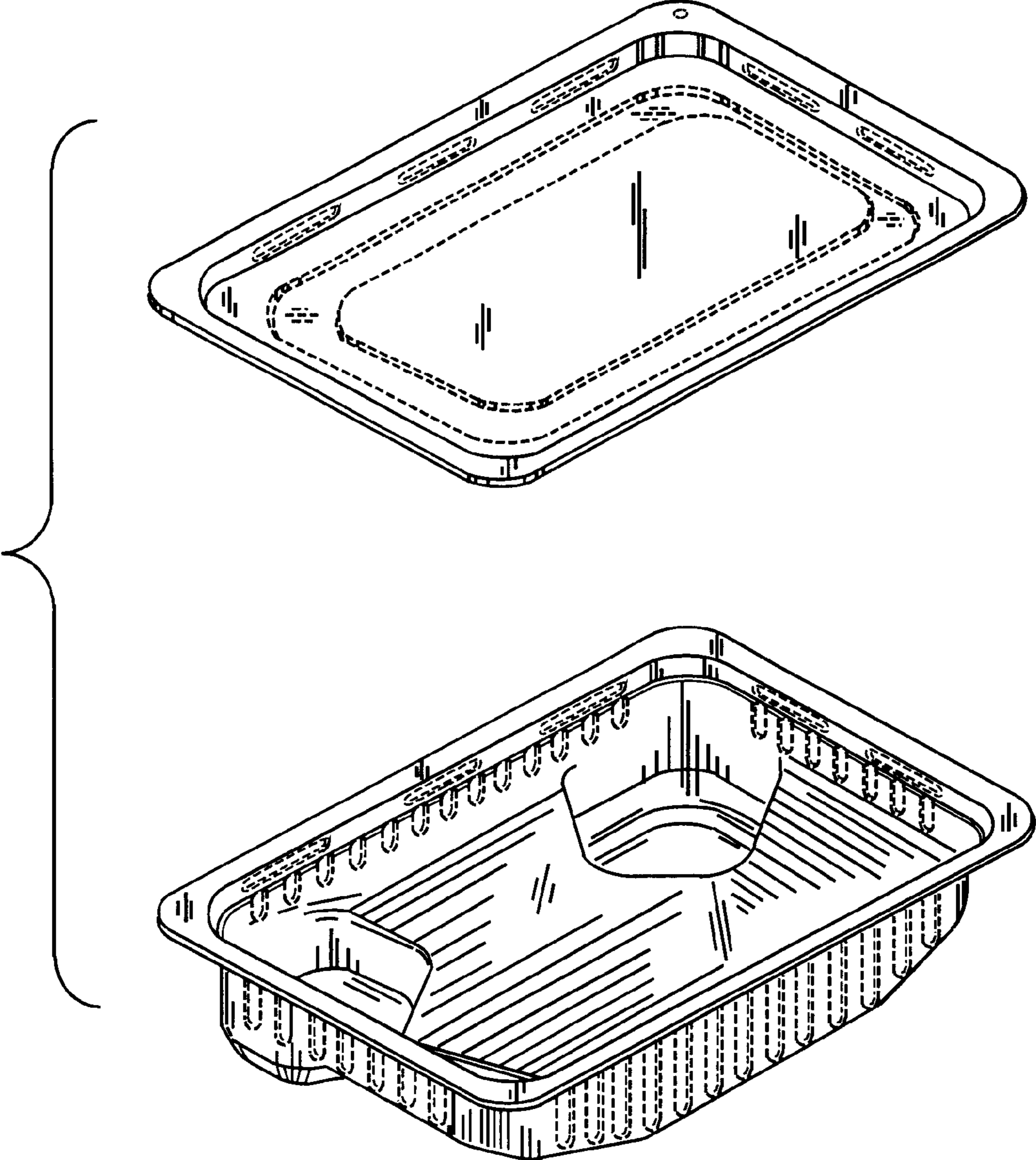


FIG. 9